

# 45° elbow in EPS for MVHR Ø125 / Ø160

- cod. ACC600039 - cod. ACC600040

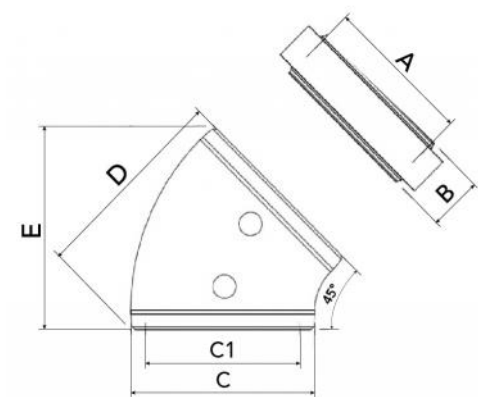


## TECHNICAL SPECIFICATIONS MOD. Ø 125

- Grey colour EPS insulated elbow
- Wall thickness: 15.5mm
- Weight: 0,15 kg
- Dimensions: 189 x 156 x 196 mm
- internal Ø: 125 mm
- Temperature range -25 / +80 (C°)
- Maximum air flow: 275 m<sup>3</sup>/h
- Thermal resistance: 0.032 m<sup>2</sup>K/W

## TECHNICAL SPECIFICATIONS MOD. Ø 160

- Grey colour EPS insulated elbow
- Wall thickness: 15.5mm
- Weight: 0,18 kg
- Dimensions: 218 x 191 x 208 mm
- internal Ø: 160 mm
- Temperature range -25 / +80 (C°)
- Maximum air flow: 425 m<sup>3</sup>/h
- Thermal resistance: 0.032 m<sup>2</sup>K/W



## DIMENSIONS

CODE	A [mm]	B [mm]	C [mm]	C1 [mm]	D [mm]	E [mm]
ACC600039	119	56	156	125	196	196
ACC600040	154	56	191	160	208	208

## ITEMS

CODE	DESCRIPTION
ACC600039	45° ELBOW IN EPS FOR MVHR Ø 125mm
ACC600040	45° ELBOW IN EPS FOR MVHR Ø 160mm

All rights relating to this publication are the exclusive property of Tecnosystemi SpA.

Tecnosystemi SpA reserves the right to make changes at any time and without notice, for technical or commercial needs.