

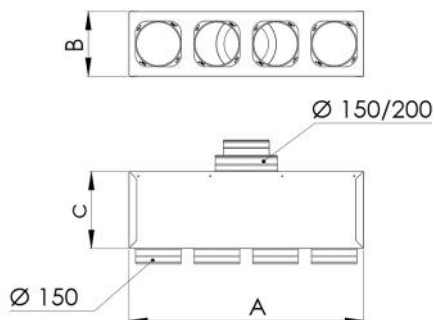
# Insulated box in sheet metal for flexible ducted pipe 2 - 3 - 4 - 5 outputs $\varnothing$ 150

- cod. ACD600001 - cod. ACD600002 - cod. ACD600003  
- cod. ACD600004



## TECHNICAL SPECIFICATIONS:

- Made of galvanized sheet metal
- External insulation in 3 mm thick polyethylene
- Air inlet collar with double diameter with hose connection  $\varnothing$  150 - 200
- Outgoing collars as shown in the table
- Complete with brackets for ceiling mounting



## DIMENSIONS

CODE	A [mm]	B [mm]	C [mm]	INPUT Ø [mm]	No.of OUTLETS - Ø [mm]
ACD600001	380	210	250	150 / 200	2 - 150
ACD600002	570	210	250	150 / 200	3 - 150
ACD600003	760	210	250	150 / 200	4 - 150
ACD600004	950	210	250	150 / 200	5 - 150

## ITEMS

CODE	DESCRIPTION
ACD600001	INSULATED SHEET METAL PLENUM FOR FLEXIBLE HOSE WITH 2 OUTLETS, Ø150
ACD600002	INSULATED SHEET METAL PLENUM FOR FLEXIBLE HOSE WITH 3 OUTLETS, Ø150
ACD600003	INSULATED SHEET METAL PLENUM FOR FLEXIBLE HOSE WITH 4 OUTLETS, Ø150
ACD600004	INSULATED SHEET METAL PLENUM FOR FLEXIBLE HOSE WITH 5 OUTLETS, Ø150

All rights relating to this publication are the exclusive property of Tecnosystemi SpA.

Tecnosystemi SpA reserves the right to make changes at any time and without notice, for technical or commercial needs.