

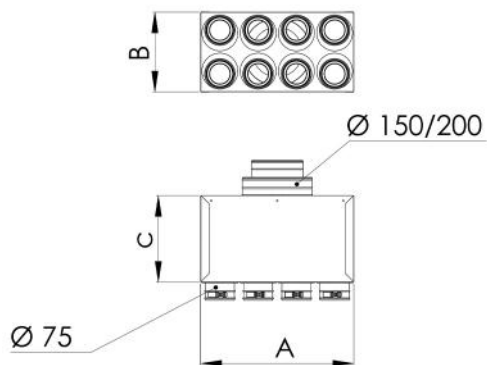
Insulated distribution plenum for CMV for flexible ducted hose 4-6-8-10-12 outputs \varnothing 75 with sleeves complete with calibration damper with adjustment

- cod. ACD600107 - cod. ACD600108 - cod. ACD600109
- cod. ACD600110 - cod. ACD600111 - cod. ACD600112
- cod. ACD600113



TECHNICAL SPECIFICATIONS:

- Made of galvanized sheet metal
- Internal insulation in 3 mm thick polyethylene
- Available with double collar \varnothing 150 - \varnothing 200 or triple by \varnothing 100 - \varnothing 125 - \varnothing 150
- Outgoing collars as shown in the table
- Complete with brackets for ceiling mounting
- Holes provided for the entry of the upper and rear collar
- Sleeves complete with calibration damper with graduated adjustment by screwdriver
- Plenum supplied pre-assembled



DIMENSIONS

CODE	A [mm]	B [mm]	C [mm]	INPUT Ø [mm]	No.of OUTLETS - Ø [mm]
ACD600107	230	240	250	150 / 200	4 - 75
ACD600108	350	240	250	150 / 200	6 - 75
ACD600109	465	240	250	150 / 200	8 - 75
ACD600110	580	240	250	150 / 200	10 - 75
ACD600111	700	240	250	150 / 200	12 - 75
ACD600112	230	240	250	100 / 125 / 150	4 - 75
ACD600113	350	240	250	100 / 125 / 150	6 - 75

ITEMS

CODE	DESCRIPTION
ACD600107	CMV INSULATED SHEET METAL PLENUM FOR FLEXIBLE CORRUGATED PIPE Ø75 4 OUTLETS Ø150/200
ACD600108	CMV INSULATED SHEET METAL PLENUM FOR FLEXIBLE CORRUGATED PIPE Ø75 6 OUTLETS Ø150/200
ACD600109	CMV INSULATED SHEET METAL PLENUM FOR FLEXIBLE CORRUGATED PIPE Ø75 8 OUTLETS Ø150/200
ACD600110	CMV INSULATED SHEET METAL PLENUM FOR FLEXIBLE CORRUGATED PIPE Ø75 10 OUTLETS Ø150/200
ACD600111	CMV INSULATED SHEET METAL PLENUM FOR FLEXIBLE CORRUGATED PIPE Ø75 12 OUTLETS Ø150/200
ACD600112	CMV INSULATED SHEET METAL PLENUM FOR FLEXIBLE CORRUGATED PIPE Ø75 4 OUTLETS Ø100/125/150
ACD600113	CMV INSULATED SHEET METAL PLENUM FOR FLEXIBLE CORRUGATED PIPE Ø75 6 OUTLETS Ø100/125/150

All rights relating to this publication are the exclusive property of Tecnosystemi SpA.

Tecnosystemi SpA reserves the right to make changes at any time and without notice, for technical or commercial needs.