

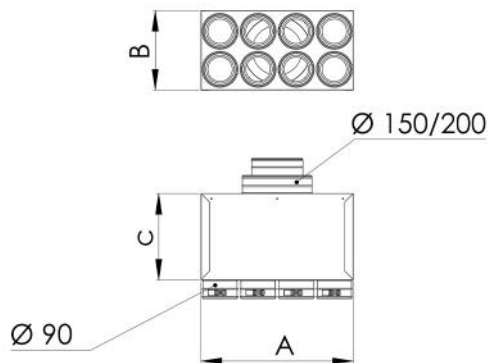
# Insulated distribution plenum for CMV for flexible ducted hose 4-6-8-10-12 outputs $\varnothing$ 90 with sleeves complete with calibration damper with adjustment

- cod. ACD600114 - cod. ACD600115 - cod. ACD600116
- cod. ACD600117 - cod. ACD600118 - cod. ACD600119
- cod. ACD600120



## TECHNICAL SPECIFICATIONS:

- Made of galvanized sheet metal
- Internal insulation in 3 mm thick polyethylene
- Available with inlet collar  $\varnothing$ 150
- Outgoing collars as shown in the table
- Complete with brackets for ceiling mounting
- Sleeves complete with calibration damper with graduated adjustment by screwdriver
- Plenum supplied pre-assembled



## DIMENSIONS

CODE	A [mm]	B [mm]	C [mm]	INPUT Ø [mm]	No.of OUTLETS - Ø [mm]
ACD600114	230	240	250	150 / 200	4 - 90
ACD600115	350	240	250	150 / 200	6 - 90
ACD600116	465	240	250	150 / 200	8 - 90
ACD600117	580	240	250	150 / 200	10 - 90
ACD600118	700	240	250	150 / 200	12 - 90
ACD600119	230	240	250	100 / 125 / 150	4 - 90
ACD600120	350	240	250	100 / 125 / 150	6 - 90

## ITEMS

CODE	DESCRIPTION
ACD600114	CMV INSULATED SHEET METAL PLENUM FOR FLEXIBLE CORRUGATED PIPE Ø90 4 OUTLETS Ø150/200
ACD600115	CMV INSULATED SHEET METAL PLENUM FOR FLEXIBLE CORRUGATED PIPE Ø90 6 OUTLETS Ø150/200
ACD600116	CMV INSULATED SHEET METAL PLENUM FOR FLEXIBLE CORRUGATED PIPE Ø90 8 OUTLETS Ø150/200
ACD600117	CMV INSULATED SHEET METAL PLENUM FOR FLEXIBLE CORRUGATED PIPE Ø90 10 OUTLETS Ø150/200
ACD600118	CMV INSULATED SHEET METAL PLENUM FOR FLEXIBLE CORRUGATED PIPE Ø90 12 OUTLETS Ø150/200
ACD600119	CMV INSULATED SHEET METAL PLENUM FOR FLEXIBLE CORRUGATED PIPE Ø90 4 OUTLETS Ø100/125/150
ACD600120	CMV INSULATED SHEET METAL PLENUM FOR FLEXIBLE CORRUGATED PIPE Ø90 6 OUTLETS Ø100/125/150

All rights relating to this publication are the exclusive property of Tecnosystemi SpA.

Tecnosystemi SpA reserves the right to make changes at any time and without notice, for technical or commercial needs.