

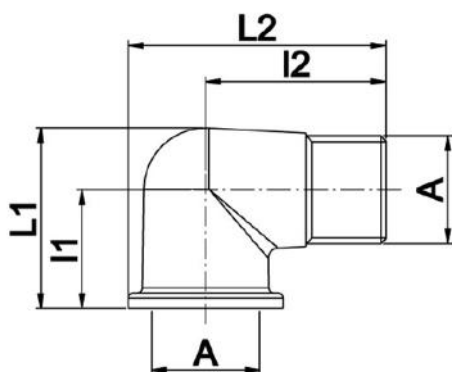
Curve M / F

- cod. 26003010 - cod. 26003020 - cod. 26003030
- cod. 26003040 - cod. 26003050



TECHNICAL SPECIFICATIONS:

- Made of brass
- Application in hydraulics
- Gas thread
- Maximum operating temperature: +130°C



DIMENSIONS

CODE	A	l1 [mm]	l2 [mm]	L1 [mm]	L2 [mm]
26003010	1/2"	24	35,5	35	48
26003020	3/4"	28	41,5	39	57
26003030	1"	32,5	49		72
26003040	1" 1/4	51	50	75	76
26003050	1" 1/2	63,5	67,5	85,5	90

ITEMS

CODE	DESCRIPTION
26003010	
26003020	
26003030	
26003040	
26003050	

All rights relating to this publication are the exclusive property of Tecnosystemi SpA. Tecnosystemi SpA reserves the right to make changes at any time and without notice, for technical or commercial needs.

All rights relating to this publication are the exclusive property of Tecnosystemi SpA.

Tecnosystemi SpA reserves the right to make changes at any time and without notice, for technical or commercial needs.