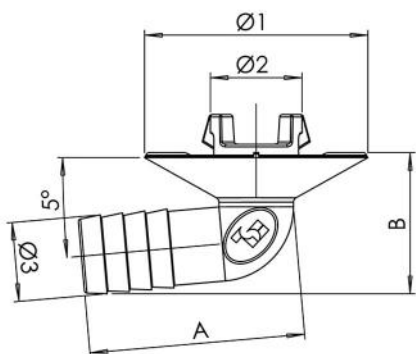


95° angled water drain pipette with snap-on attachment

- cod. SCD300043 - cod. SCD300044 - cod. SCD300045
 - cod. SCD300046



DIMENSIONS

CODE	A [mm]	B [mm]	Ø1 [mm]	Ø2 [mm]	Ø3 [mm]
SCD300043	43,4	28,5	45	19	16
SCD300044	50,2	31,7	45	19	20
SCD300045	43,4	28,5	45	32	16
SCD300046	50,2	31,7	45	32	20

ITEMS

CODE	DESCRIPTION
SCD300043	CONDENSATE DRAIN PIPETTE, Ø19 MACHINE COUPLING, Ø16 PIPE COUPLING
SCD300044	CONDENSATE DRAIN PIPETTE, Ø19 MACHING COUPLING, Ø20 PIPE COUPLING
SCD300045	CONDENSATE DRAIN PIPETTE, Ø32 MACHINE COUPLING, Ø16 PIPE COUPLING
SCD300046	CONDENSATE DRAIN PIPETTE, Ø32 MACHINE COUPLING, Ø20 PIPE COUPLING

All rights relating to this publication are the exclusive property of Tecnosystemi SpA.

Tecnosystemi SpA reserves the right to make changes at any time and without notice, for technical or commercial needs.