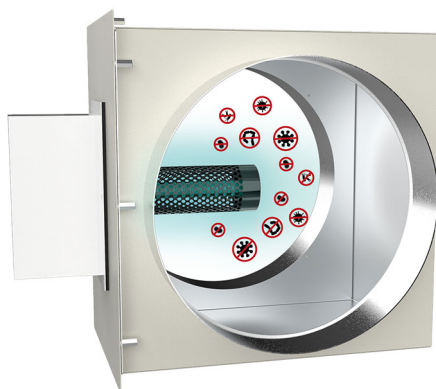


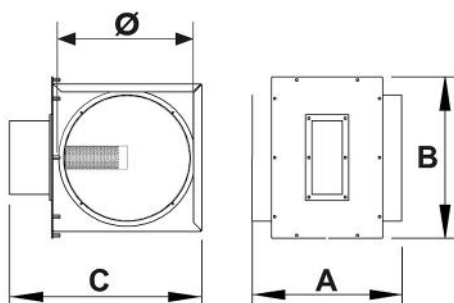
Sheet metal insulated ductable box equipped with bactericidal sanitising lamp with photoinitiator

- cod. ACD600029 - cod. ACD600030 - cod. ACD600031
- cod. ACD600032 - cod. ACD600033



TECHNICAL SPECIFICATIONS:

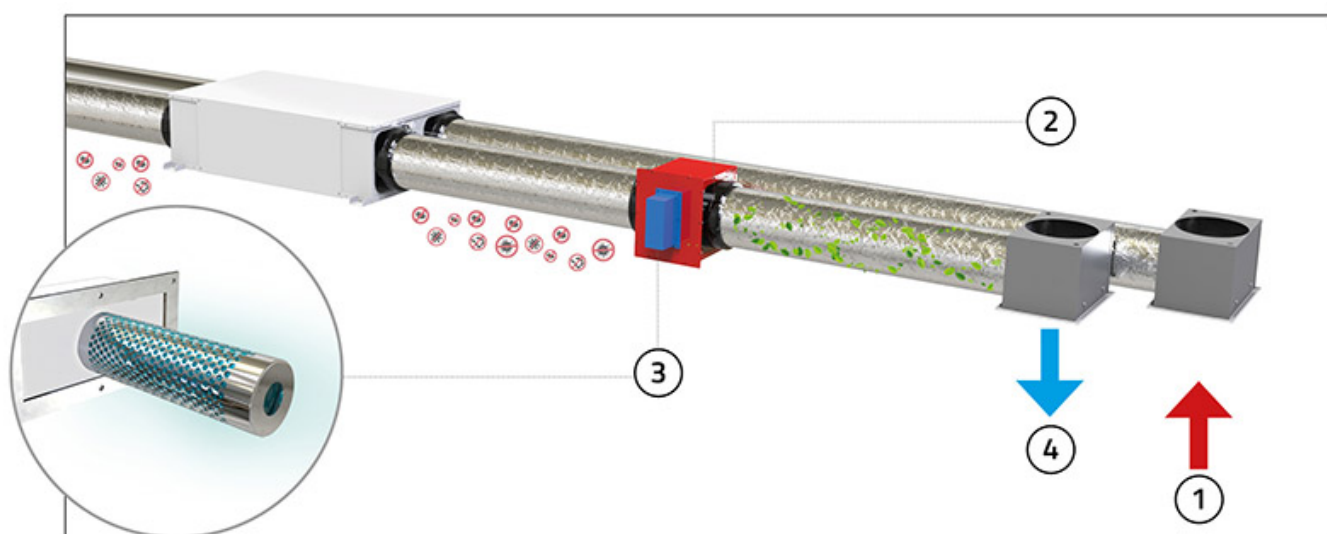
- Made of galvanized sheet metal
- External insulation in 3 mm thick polyethylene
- Equipped with 2 inlet / outlet collars
- Equipped with bactericidal sanitising lamp with photoinitiator



DIMENSIONS

CODE	INSTALLED LIGHT CODE	A [mm]	B [mm]	C [mm]	INPUT Ø [mm]	OUTPUTS Ø [mm]
ACD600029	HCC300016	397	270	330	150/200	
ACD600030	HCC300016	294	320	382	250	
ACD600031	HCC300017	294	370	430	300	
ACD600032	HCC300018	294	420	468	350	
ACD600033	HCC300010	294	525	540	450	

EXAMPLE OF INSTALLATION:



[1] Air intake

[2] Insulated box door bactericidal sanitising lamp with photoinitiator

[3] Bactericidal sanitising lamp with photoinitiator

[4] Air delivery

ITEMS

CODE	DESCRIPTION
ACD600029	HOLDER BOX IN INSULATED SHEET METAL FOR SANITISING BACTERICIDAL LAMP FOR Ø150 / Ø200
ACD600030	HOLDER BOX IN INSULATED SHEET METAL FOR SANITISING BACTERICIDAL LAMP FOR Ø250
ACD600031	HOLDER BOX IN INSULATED SHEET METAL FOR SANITISING BACTERICIDAL LAMP FOR Ø300
ACD600032	HOLDER BOX IN INSULATED SHEET METAL FOR SANITISING BACTERICIDAL LAMP FOR Ø350
ACD600033	HOLDER BOX IN INSULATED SHEET METAL FOR SANITISING BACTERICIDAL LAMP FOR Ø450

All rights relating to this publication are the exclusive property of Tecnosystemi SpA.

Tecnosystemi SpA reserves the right to make changes at any time and without notice, for technical or commercial needs.