

EXCELLENS CPS

articulated flat curve



- cod. 11121111 - cod. 11121110 - cod. N11121111
- cod. N11121110 - cod. E11121111 - cod. E11121110
- cod. SCD100019 - cod. SCD100064 - cod. SCD100190



TECHNICAL SPECIFICATIONS:

- Stiff, shockproof, anti-UVA and recyclable PVC
- Interlocking bottom and lid
- Duct profile locating ridge
- Large internal bending radius, adjustable from 90° to 135°
- Heat shrink barcode packaging
- Galvanised screws
- Paintable
- Operating temperature -20°C / +60°C

MODELS AVAILABLE:



TOP LINE - IVORY
RAL 9002



NEW LINE -
WHITE RAL 9010



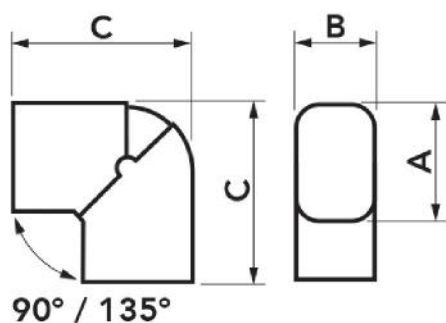
ECO LINE - PEARL
GREY RAL 9003



BROWN LINE -
BROWN RAL 8017



BLACK LINE -
BLACK RAL 9005



DIMENSIONS

CODE	MODEL	LINE	A [mm]	B [mm]	C [mm]
11121111	CPS 60 - EXC	TOP LINE	66	56	110
11121110	CPS 72 - EXC	TOP LINE	78	68	130
N11121111	CPS 60 - EXC	NEW LINE	66	56	110
N11121110	CPS 72 - EXC	NEW LINE	78	68	130
E11121111	CPS 60 - EXC	ECO LINE	66	56	110
E11121110	CPS 72 - EXC	ECO LINE	78	68	130
SCD100019	CPS 72 - EXC	BROWN LINE	78	68	130
SCD100064	CPS 72 - EXC	BLACK LINE	78	68	130
SCD100190	CPS 72 - EXC	GREY LINE	78	68	130

ITEMS

CODE	DESCRIPTION
11121111	CPS 60- EXC - "EXCELLENS CPS" LINE FLAT JOINTED ELBOW
11121110	CPS 72- EXC - "EXCELLENS CPS" LINE FLAT JOINTED ELBOW
N11121111	CPS 60- EXC - "EXCELLENS CPS" LINE FLAT JOINTED ELBOW
N11121110	CPS 72- EXC - "EXCELLENS CPS" LINE FLAT JOINTED ELBOW
E11121111	CPS 60- EXC - "EXCELLENS CPS" LINE FLAT JOINTED ELBOW
E11121110	CPS 72- EXC - "EXCELLENS CPS" LINE FLAT JOINTED ELBOW
SCD100019	CPS 72- EXC - * FLAT JOINTED ELBOW "EXCELLENS CPS" MOD. CPS 72-EXC - BROWN LINE
SCD100064	CPS 72- EXC - * FLAT JOINTED ELBOW "EXCELLENS CPS" MOD. CPS 72-EXC - BLACK LINE
SCD100190	FLAT JOINTED ELBOW "EXCELLENS CPS" MOD. CPS 72-EXC - GREY LINE - CPS 72- EXC

All rights relating to this publication are the exclusive property of Tecnosystemi SpA.

Tecnosystemi SpA reserves the right to make changes at any time and without notice, for technical or commercial needs.