

# INFINITY

floor stand with BLUE RIVER drain pan and fixed floor mount "GENIUS 1000"

- cod. SCD500010 - cod. SCD500011 - cod. SCD500014
- cod. SCD500015 - cod. SCD500018 - cod. SCD500019



## TECHNICAL SPECIFICATIONS:

- Electro-galvanised sheet metal feet
- Polyester exterior feet painted in ivory RAL 9002
- BLUE RIVER basin in ivory ABS PMMA plastic
- Coupling for condensate drain pipe Ø 16
- Includes "No- Shock" 2 Hard + 2 Soft vibration-damping kit
- Genius 1000 feet with Ø10 quick release pin
- Capacity 150 kg

## ELECTRICAL HEATING CABLE SPECIFICATIONS:

- Heating cable diameter 6 mm
- Power supply voltage 230 V
- Resistance tolerances -5% / +10%
- Activation of element at +3°C
- Built-in thermal sensor

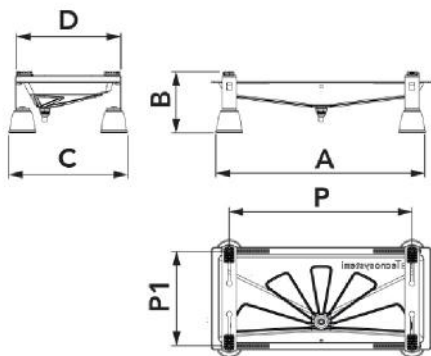
## MODELS AVAILABLE:

WITH HEATING CABLE 3 m:

- Includes 15 W/m 3 m heating cable
- Coupling for condensate drain pipe Ø 16

WITH HEATING CABLE 3 + 3 m

- Includes 15 W/m 3 m + 3 m (6 m total) heating cable
- Coupling for condensate drain pipe Ø 20
- Equipped with a condensate drain pipe securing clamp
- With 3 m insulated condensate drain pipe



## DIMENSIONS

CODE	A [mm]	B [mm]	C [mm]	D [mm]	P [mm]	P1 [mm]
SCD500010	850	230	460	410	400 - 800	150 - 370
SCD500011	1050	230	460	410	1000 - 400	370 - 150
SCD500014	850	230	460	410	800 - 400	370 - 150
SCD500015	1050	230	460	410	1000 - 400	370 - 150
SCD500018	850	230	460	410	800 - 400	370 - 150
SCD500019	1050	230	460	410	1000 - 400	370 - 150

## TECHNICAL DATA

CODE	LOAD CAPACITY [kg]
SCD500010	150
SCD500011	150
SCD500014	150
SCD500015	150
SCD500018	150
SCD500019	150

- Heating cable diameter 6 mm
- Power supply voltage 230 V
- Resistance tolerances -5% / +10%
- Activation of element at +3°C
- Built-in thermal sensor

## ITEMS

CODE	DESCRIPTION
SCD500010	FLOOR STAND "INFINITY" W/ SMALL DRAIN PAN "BLUE RIVER + FIXED FEET "GENIUS 1000"
SCD500011	FLOOR STAND "INFINITY" W/ LARGE DRAIN PAN "BLUE RIVER + FIXED FEET "GENIUS 1000"
SCD500014	FLOOR STAND "INFINITY" W/ SMALL DRAIN PAN "BLUE RIVER + 3 MT CABLE + FIXED FEET "GENIUS 1000"
SCD500015	FLOOR STAND "INFINITY" W/ LARGE DRAIN PAN "BLUE RIVER + 3 MT CABLE + FIXED FEET "GENIUS 1000"
SCD500018	FLOOR STAND "INFINITY" W/ SMALL DRAIN PAN "BLUE RIVER + 6 MT CABLE + FIXED FEET "GENIUS 1000"
SCD500019	FLOOR STAND "INFINITY" W/ LARGE DRAIN PAN "BLUE RIVER + 6 MT CABLE + FIXED FEET "GENIUS 1000"

All rights relating to this publication are the exclusive property of Tecnosystemi SpA.

Tecnosystemi SpA reserves the right to make changes at any time and without notice, for technical or commercial needs.