

ZEUS HIGH ARTICULATED

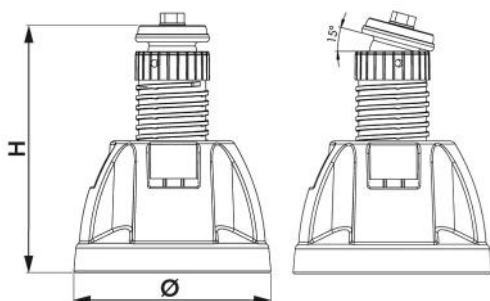
anti-vibration foot in vulcanised rubber SBR

- cod. SCD500279 - cod. SCD500280



TECHNICAL SPECIFICATIONS:

- Anti-vibration device included
- Made of SBR recycled volcanic rubber
- Height adjustment ring nut min 150 max 205 mm (model Short)
- Height adjustment ring nut min 200 max 255 mm (model Long)
- Non-slip knurling adjustment
- Adjustable Joint
- No. 2 seats for spirit level insertion
- Fixing screw M8 x 50
- Inclination 0-15°



DIMENSIONS

| CODE | H [mm] | L [mm] | Ø [mm] | Load capacity [kg] |
|-----------|---------|--------|--------|--------------------|
| SCD500279 | 150/205 | 60 | 160 | 500 |
| SCD500280 | 200/255 | 60 | 160 | 500 |

ITEMS

| CODE | DESCRIPTION |
|-----------|--|
| SCD500279 | VULCANIZED RUBBER FLOOR SUPPORT - ADJUSTABLE AND ARTICULATED - "ZEUS" H.70 SHORT (PACK OF 4 PCS) |
| SCD500280 | VULCANIZED RUBBER FLOOR SUPPORT - ADJUSTABLE AND ARTICULATED - "ZEUS" H.100 LONG (PACK OF 4 PCS) |

All rights relating to this publication are the exclusive property of Tecnosystemi SpA.

Tecnosystemi SpA reserves the right to make changes at any time and without notice, for technical or commercial needs.