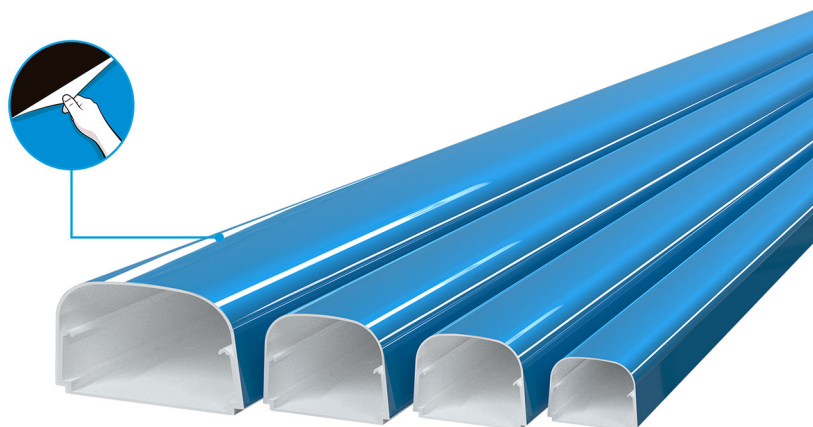


OPTIMA TP FULL COVER

duct with protective film

- cod. SCD100105 - cod. SCD100106 - cod. SCD100107
- cod. SCD100125



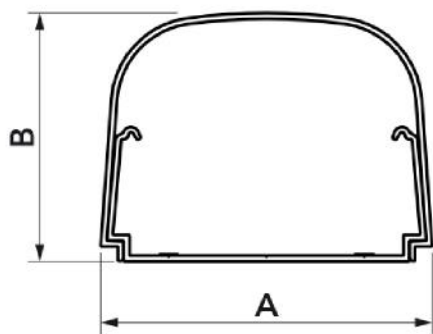
TECHNICAL SPECIFICATIONS:

- Stiff, shockproof, anti-UVA PVC, white, recyclable
- Sharp-edged bottom
- Pre-punched slots for wall mounting
- Prepared for insertion of the mini pumps Easy Flow, Easy One, Aqua Split (only model TP 75-OPT-FC)
- Wall-mounted flush closure
- Rounded cover
- Cover with transparent blue protective film in low density polyethylene
- Bar length 2 m
- Paintable
- Operating temperature -20°C / +60°C

MODELS AVAILABLE:



WHITE RAL 9010



DIMENSIONS

CODE	MODEL	A [mm]	B [mm]
SCD100105	TP 62 - OPT-FC	62	46
SCD100106	TP 75 - OPT-FC	74	56
SCD100107	TP 102 - OPT-FC	100	66
SCD100125	TP 135 - OPT-FC	135	82

ITEMS

CODE	DESCRIPTION
SCD100105	TP62 -OPT-FC FILM - "OPTIMA TP" T62 TRUNKING FULL COVER WITH PROTECTION FILM - 2 mt. Long
SCD100106	TP75 -OPT-FC FILM - "OPTIMA TP" T75 TRUNKING FULL COVER WITH PROTECTION FILM - 2 mt. long
SCD100107	TP102 -OPT-FC FILM - "OPTIMA TP" T102 TRUNKING FULL COVER WITH PROTECTION FILM - 2 mt. long
SCD100125	TP135 -OPT-FC FILM - "OPTIMA TP" T135 TRUNKING FULL COVER WITH PROTECTION FILM - 2 mt. long

All rights relating to this publication are the exclusive property of Tecnosystemi SpA.

Tecnosystemi SpA reserves the right to make changes at any time and without notice, for technical or commercial needs.