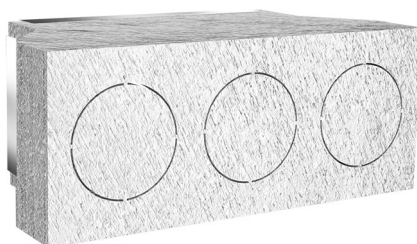


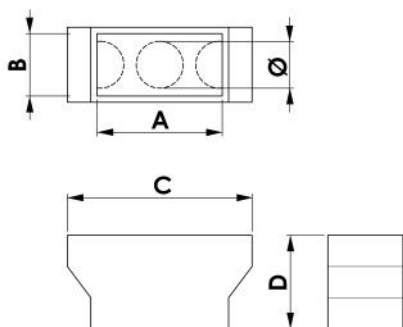
Distribution plenum in PAL prepared for 3 outputs \varnothing 150 / 200

- cod. PWD600037 - cod. PWD600038



TECHNICAL SPECIFICATIONS PAL:

- Coated on both sides with embossed aluminium with thickness: 80 μ m
- Aluminium flange supplied
- Material thickness 20 mm
- Density: 49 kg/m³
- Reaction to fire class: B-s3,d0
- Temperature: -30°C to +80°C



DIMENSIONS

CODE	A [mm]	B [mm]	C [mm]	D [mm]	COLLAR [mm]
PWD600037	400	200	590	300	3 x 150
PWD600038	600	300	740	300	3 x 200

ITEMS

CODE	DESCRIPTION
PWD600037	DISTRIBUTION PLENUM FITTED FOR R 3 OUTLETS Ø150
PWD600038	

All rights relating to this publication are the exclusive property of Tecnosystemi SpA.

Tecnosystemi SpA reserves the right to make changes at any time and without notice, for technical or commercial needs.