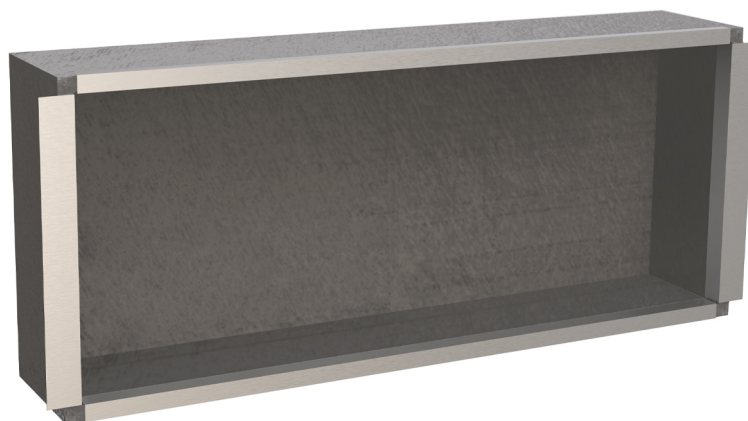


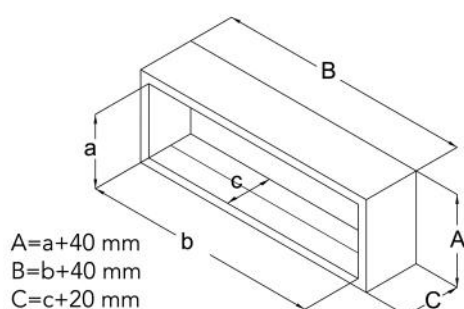
# Intake plenum in PLA ready for filter

- cod. PWD401710 - cod. PWD401711 - cod. PWD401712  
- cod. PWD401713



## TECHNICAL SPECIFICATIONS:

- Material: 80 $\mu$  high quality aluminum foil, embossed and lacquered, insulated by a rigid polyisocyanurate foam (PIR)
- Thickness 20 mm
- Fire-retardant, waterproof, highly heat-insulating
- Includes fastening flange to the internal unit
- Prepared with housing for 5mm thickness filter ordered separately
- Filter 5 mm can be inspected from below



## DIMENSIONS

CODE	MODEL	a [mm]	b [mm]	c [mm]
PWD401710	mod. 1	≤400	≤1000	≤180
PWD401711	mod. 2	≤400	≤1200	≤180
PWD401712	mod. 3	≤400	≤1500	≤180
PWD401713	mod. 4	≤400	≤1700	≤180

## ITEMS

CODE	DESCRIPTION
PWD401710	RETURN PLENUM ARRANGED FOR FILTER INSERTION - INNER DIMS. L1000xH400xP180
PWD401711	RETURN PLENUM ARRANGED FOR FILTER INSERTION - INNER DIMS. L1200xH400xP180
PWD401712	RETURN PLENUM ARRANGED FOR FILTER INSERTION - INNER DIMS. L1500xH400xP180
PWD401713	RETURN PLENUM ARRANGED FOR FILTER INSERTION - INNER DIMS. L1700xH400xP180

All rights relating to this publication are the exclusive property of Tecnosystemi SpA.

Tecnosystemi SpA reserves the right to make changes at any time and without notice, for technical or commercial needs.