

Built-in or wall-mounted regulator for 230 V motorised butterfly damper



- cod. 11161874 - cod. 11161875



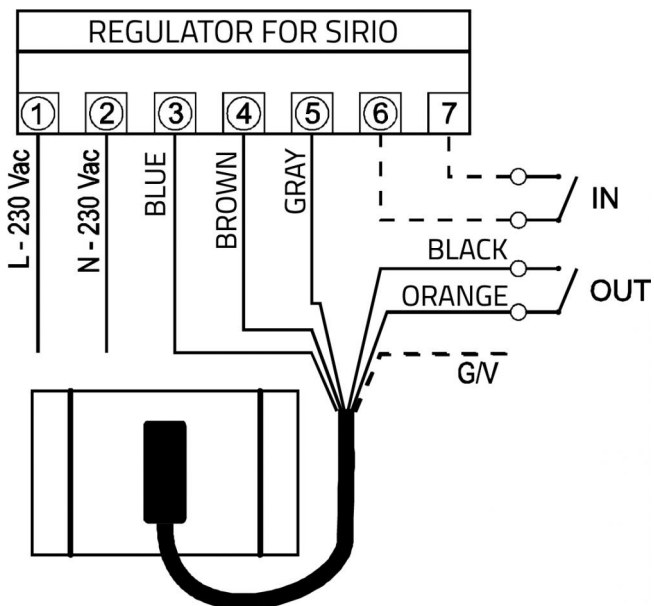
DESCRIPTION

By manually acting on the regulator, it is possible to partialise the butterfly valve of the damper from 0° to 90°. The LED lights on the regulator indicate the position of the damper.

TECHNICAL SPECIFICATIONS:

- Power supply 230 V - 50/60 Hz
- Modulating controller
- LED graduated scale

WIRING CONNECTION DIAGRAM



ITEMS

CODE	DESCRIPTION
11161874	BUILT-IN POINT-POINT CONTROLLER FOR ELECTRIC BUTTERFLY DAMPER 230V
11161875	WALL-MOUNTED POINT-POINT CONTROLLER FOR ELECTRIC BUTTERFLY DAMPER 230V

All rights relating to this publication are the exclusive property of Tecnosystemi SpA.

Tecnosystemi SpA reserves the right to make changes at any time and without notice, for technical or commercial needs.