

# MINI DISCOVERY 3X

wall-mounted backlit programmable thermostat with touch, battery-run radio frequency

- cod. GAD100008



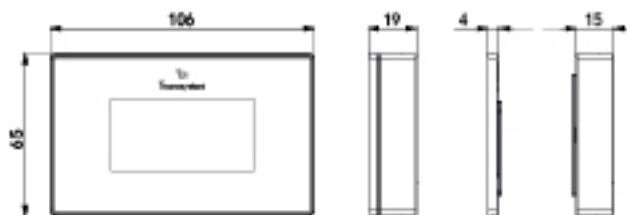
## TECHNICAL SPECIFICATIONS:

- Power supply battery 2 x 1.5 V type AAA (LR03) supplied
- Battery life 18 months (normal use)
- 868 MHz RF radio frequency data transmission
- RF signal range 50 m maximum in open field between chronothermostat and "Polaris" control unit
- 2.4" backlit LCD display
- White background touch display with black numbers

## FUNCTIONS

- Backlight 5 sec.
  - Timed or manual features (\*)
  - Automatic or manual adjustment of damper and nozzle
  - Timed thermostat lock
  - Temperature scale °C/°F (\*)
  - AT and set point value
  - Ready for window contact
  - Clock (AM - PM / 24h) (\*)
  - Daily and weekly feature
  - Wall mounted using template, screws and fixing plugs supplied
- (\*) Time slots can be set by the "Polaris" control unit, by the "Proair Multi-Zone" app or by the Chronothermostat Master

## DIMENSIONS

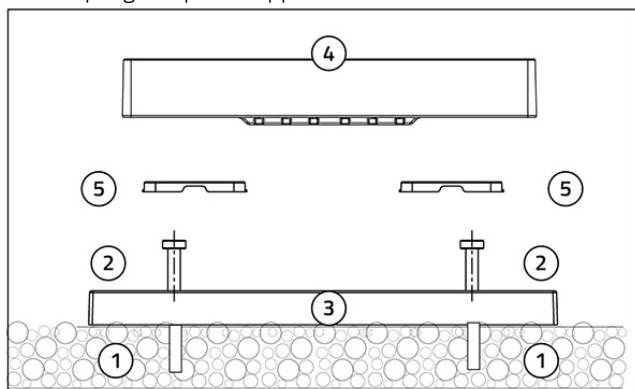


## FIXING

Wall-mounting using supplied template, screws and fixing plugs

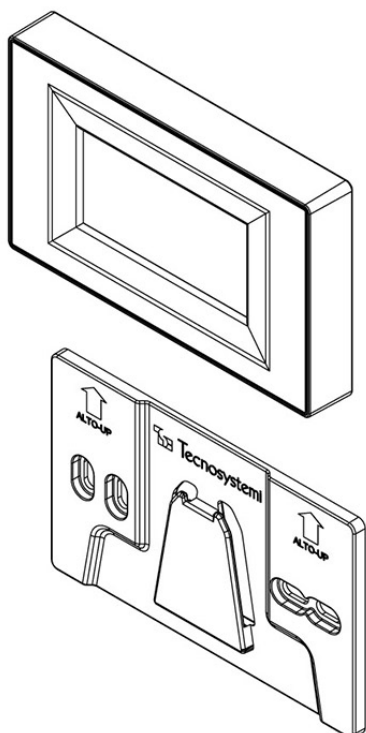
The programmable thermostat is fastened to the wall very quickly.

The programmable thermostat can be attached to / detached from the wall at any time with a slight external pressure by means of a coupling template supplied.



- [1] Dowel
- [2] Screw
- [3] Fastening template
- [4] Timed thermostat
- [5] Cap

## BATTERY REPLACEMENT



Battery life 18/24 months (normal use)  
The chronothermostats are powered by No. 2 AAA type 1.5 V batteries

Remove the chrono-thermostat from the template for wall mounting by sliding it upward.

## ITEMS

CODE	DESCRIPTION
GAD100008	

All rights relating to this publication are the exclusive property of Tecnosystemi SpA.

Tecnosystemi SpA reserves the right to make changes at any time and without notice, for technical or commercial needs.