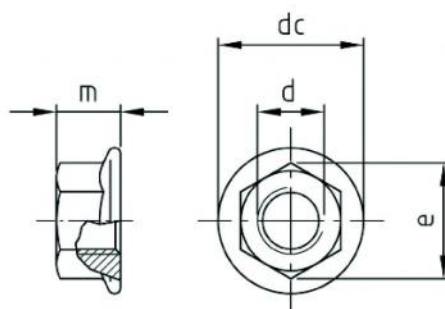


# A2 stainless steel hexagonal flanged nut

- cod. 11110894 - cod. FVD600016BOX - cod.  
11110894BOX  
- cod. 11110886 - cod. FVD600017BOX - cod.  
11110886BOX  
- cod. 11110887 - cod. FVD600018BOX - cod.  
11110887BOX



## DIMENSIONS



## DESCRIPTION

Stainless steel A2 hexagon flange nut.

## TECHNICAL SPECIFICATIONS

	DATA		
	FVD600016BOX	FVD600017BOX	FVD600018BOX
	11110894BOX	11110886BOX	11110887BOX
Material	STAINLESS steel A2		
Diameter (d) [mm]	8	10	12
Thread type	metrics		
Height [mm]	8	10	12
Flange diameter (dc) [mm]	17,90	21,80	26
Reference Measurement (e) [mm]	14.38	16.64	20.03
Tensile strength (N/mm <sup>2</sup> )	700		

## ITEMS

CODE	DESCRIPTION
11110894	HEX NUT M8 A2
FVD600016BOX	
11110894BOX	HEX NUT M8 A2 - BOX 100 pcs
11110886	HEX NUT M10 A2
FVD600017BOX	
11110886BOX	HEX NUT M10 A2 - BOX 100 pcs
11110887	HEX NUT M12 A2
FVD600018BOX	
11110887BOX	HEX NUT M12 A2 - BOX 100 pcs

All rights relating to this publication are the exclusive property of Tecnosystemi SpA.

Tecnosystemi SpA reserves the right to make changes at any time and without notice, for technical or commercial needs.