

Jig for laying ballast

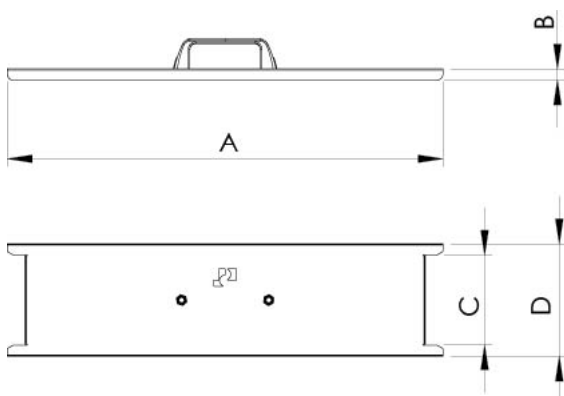
- cod. FVD500015



DESCRIPTION

Electrogalvanised sheet metal jig with handle, designed to facilitate the laying of concrete ballast on flat roofs. The jig is reusable whenever it is necessary to lay concrete ballast.

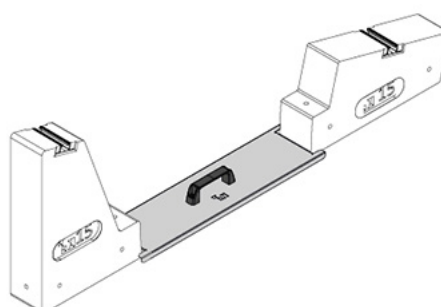
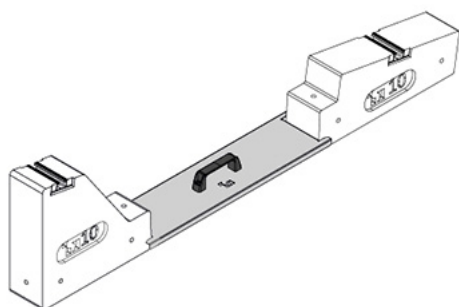
DIMENSIONS



CODE	A [mm]	B [mm]	C [mm]	D [mm]
FVD500015	580	15	120	150

All rights relating to this publication are the exclusive property of Tecnosystemi S.p.A. Tecnosystemi S.p.A. reserves the right to make changes at any time and without notice, for technical or commercial needs.

EXAMPLES OF USE



ITEMS

CODE	DESCRIPTION
FVD500015	

All rights relating to this publication are the exclusive property of Tecnosystemi SpA.

Tecnosystemi SpA reserves the right to make changes at any time and without notice, for technical or commercial needs.