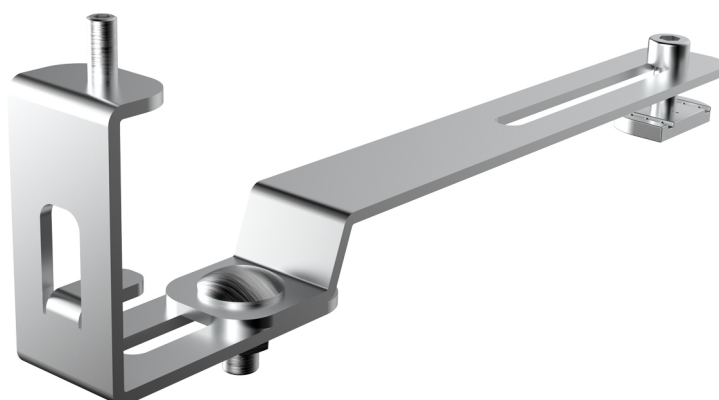


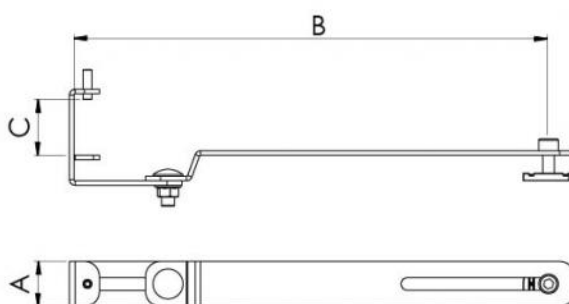
# SSCB

Support bracket central photovoltaic panel

- cod. FVD200033 - cod. FVD200033BOX - cod. FVD200034  
 - cod. FVD200034BOX - cod. FVD200040 - cod. FVD200040BOX



## DIMENSIONS



CODE	A [mm]	B [mm]	C [mm]	W clampable panel width [mm]
FVD200033	30	205 ÷ 250	25 ÷ 40	1115 ÷ 1245
FVD200034	30	205 ÷ 215	25 ÷ 40	1038 ÷ 1120
FVD200040	30	175 ÷ 315	25 ÷ 40	1140 ÷ 1350

## DESCRIPTION

The central support bracket is an accessory designed to support large photovoltaic panels and avoid bending in their central part. The slots on the brackets facilitate installation and adjustment according to the type of panel used. The brackets are complete with pre-assembled screws

## TECHNICAL SPECIFICATIONS

TECHNICAL DATA	
Material	Stainless steel AISI 304
Bracket thickness	3 mm
Tightening torque	<8 Nm

## EXAMPLES OF INSTALLATION:



Example of installation on ballast 10°



Installation example with applied panel

## ITEMS

CODE	DESCRIPTION
FVD200033	PAIR BRACKETS FOR CENTRAL SUPPORT PHOTOVOLTAIC PANNEL "SSCB-1" (2 pcs)
FVD200033BOX	BRACKETS FOR CENTRAL SUPPORT PHOTOVOLTAIC PANNEL "SSCB-1" - BOX of 10 PAIRS
FVD200034	PAIR BRACKETS FOR CENTRAL SUPPORT PHOTOVOLTAIC PANNEL "SSCB-2" (2 pcs)
FVD200034BOX	BRACKETS FOR CENTRAL SUPPORT PHOTOVOLTAIC PANNEL "SSCB-2" - BOX of 10 PAIRS
FVD200040	
FVD200040BOX	

All rights relating to this publication are the exclusive property of Tecnosystemi SpA.

Tecnosystemi SpA reserves the right to make changes at any time and without notice, for technical or commercial needs.