

MICHELANGELO - SM

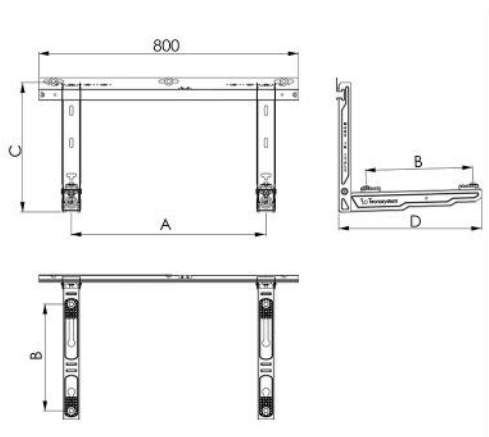
bracket with anthracite grey graduated bar

- cod. SCD500205 - cod. SCD500206 - cod. SCD500207
 - cod. SCD500208 - cod. SCD500341



TECHNICAL SPECIFICATIONS:

- Electrogalvanised sheet
- External polyester painting
- Graduated wall bracket with spirit level included
- Adjustable rear swivel feet
- Ready for condensate drain pan
- "NO-SHOCK" vibration dampers supplied
- Wall mounting fixing plugs
- Pre-assembled bracket



DIMENSIONS

CODE	A [mm]	B [mm]	C [mm]	D [mm]	LOAD CAPACITY [kg]
SCD500205	350/750	180/330	400	440	110
SCD500206	350/750	230/390	400	500	130
SCD500207	350/750	270/450	400	560	150
SCD500208	350/750	340/540	400	650	150

Vibration damping kit for brackets Giotto, Leonardo and Michelangelo

The vibration damping kit is designed to dampen vibrations, shocks or noise generated by external air conditioning units or heat pumps.

The kit it's suitable for use with the Brackets Model GIOTTO, LEONARDO and MICHELANGELO.

KIT CONTENTS:

- Vibration damper for roof bracket (3 pieces)
- O-ring OR4 106 (2 pieces)

VIBRATION DAMPING TECHNICAL SPECIFICATIONS:

- Material: polyurethane
- Hardness: 85 ± 3 Shore A
- Elongation at break / dry 300%

TECHNICAL SPECIFICATIONS O-RING:

- Material: NBR
- Hardness: 70 ± 5 Shore A

ITEMS

CODE	DESCRIPTION
SCD500205	WALL BRACKET "MICHELANGELO" - 440L - GREY
SCD500206	WALL BRACKET "MICHELANGELO" - 500L - GREY
SCD500207	WALL BRACKET "MICHELANGELO" - 560L - GREY
SCD500208	WALL BRACKET "MICHELANGELO" - 650L - GREY
SCD500341	

All rights relating to this publication are the exclusive property of Tecnosystemi SpA.

Tecnosystemi SpA reserves the right to make changes at any time and without notice, for technical or commercial needs.