

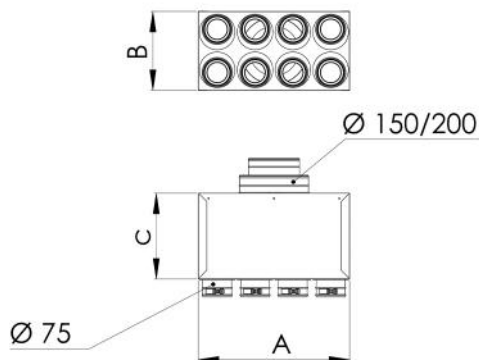
Galvanised sheet metal soundproofed plenum 4-6-8-10-12 outputs \varnothing 75 with connectors complete with calibration damper with adjustment

- cod. ACD600121 - cod. ACD600122 - cod. ACD600123
- cod. ACD600124 - cod. ACD600125 - cod. ACD600126
- cod. ACD600127



TECHNICAL SPECIFICATIONS:

- Made of galvanized sheet metal
- High sound insulation
- Internal sound absorber thickness 20mm
- Removable soundproofing septa
- Complete with brackets for ceiling mounting
- Output/input collars as per table
- Sleeves complete with calibration damper with graduated adjustment by screwdriver



DIMENSIONS

CODE	A [mm]	B [mm]	C [mm]	INPUT Ø [mm]	No.of OUTLETS - Ø [mm]
ACD600121	360	240	500	150 / 200	4 - 75
ACD600122	360	240	500	150 / 200	6 - 75
ACD600123	660	240	500	150 / 200	8 - 75
ACD600124	660	240	500	150 / 200	10 - 75
ACD600125	660	240	500	150 / 200	12 - 75
ACD600126	360	240	500	100 / 125 / 150	4 - 75
ACD600127	360	240	500	100 / 125 / 150	6 - 75

ITEMS

CODE	DESCRIPTION
ACD600121	SOUNDPROOF PLENUM MADE OF GALVANIZED SHEET METAL Ø 75 - 4 OUTLETS 150/200
ACD600122	SOUNDPROOF PLENUM MADE OF GALVANIZED SHEET METAL Ø 75 - 6 OUTLETS 150/200
ACD600123	SOUNDPROOF PLENUM MADE OF GALVANIZED SHEET METAL Ø 75 - 8 OUTLETS 150/200
ACD600124	SOUNDPROOF PLENUM MADE OF GALVANIZED SHEET METAL Ø 75 - 10 OUTLETS 150/200
ACD600125	SOUNDPROOF PLENUM MADE OF GALVANIZED SHEET METAL Ø 75 - 12 OUTLETS 150/200
ACD600126	SOUNDPROOF PLENUM MADE OF GALVANIZED SHEET METAL Ø 75 - 4 OUTLETS 100 / 125 / 150
ACD600127	SOUNDPROOF PLENUM MADE OF GALVANIZED SHEET METAL Ø 75 - 6 OUTLETS 100 / 125 / 150

All rights relating to this publication are the exclusive property of Tecnosystemi SpA.

Tecnosystemi SpA reserves the right to make changes at any time and without notice, for technical or commercial needs.