

Insulated distribution plenum H160 for VMC for flexible ducted hose 6 - 8 outlets $\varnothing 75$ and $\varnothing 90$ with sleeves complete with calibration damper with adjustment

- cod. ACD600158 - cod. ACD600159 - cod. ACD600160
- cod. ACD600161



DESCRIPTION

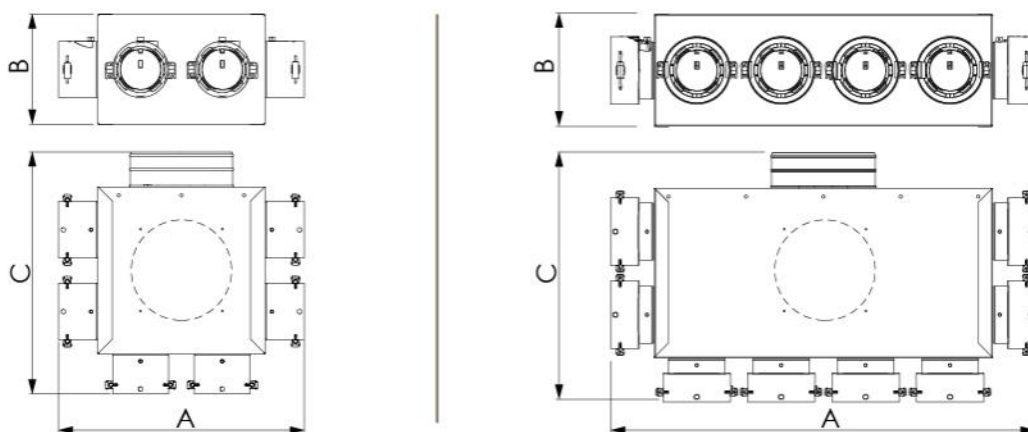
Plenum di distribuzione per VMC in lamiera zincata e coibentato esternamente in polietilene (sp. 3 mm), progettato per l'utilizzo con tubi canalizzati flessibili.

The reduced height allows installation in confined spaces (e.g. false ceilings).

The plenum is equipped with an inlet collar for $\varnothing 150$ mm pipes and 6 or 8 pre-mounted $\varnothing 75$ or $\varnothing 90$ outlet collars complete with damper.

It is prearranged with an additional pre-drilled $\varnothing 150$ inlet to be perforated as required.

DIMENSIONS

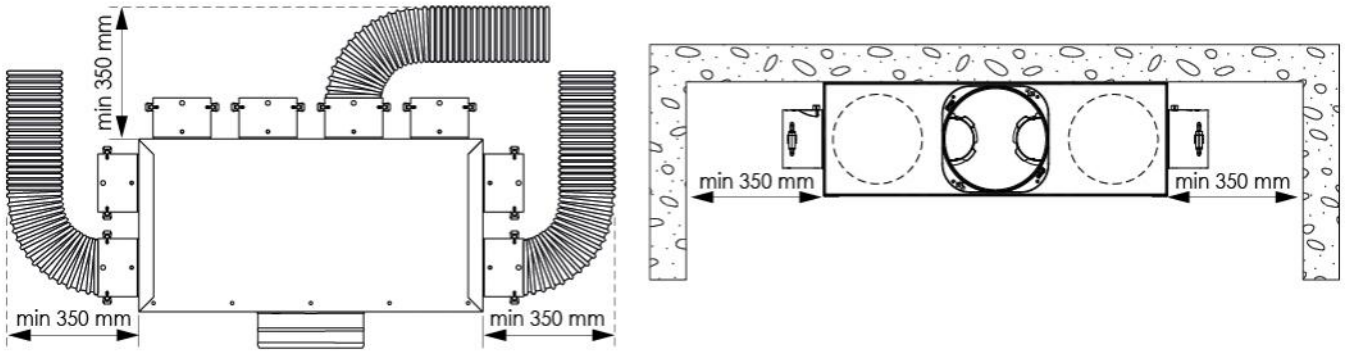


CODE	A	B	C	Weight
ACD600158	355	160	350	1.5
ACD600159	595	160	350	2.5
ACD600160	365	160	355	1.5
ACD600161	605	160	355	2.5

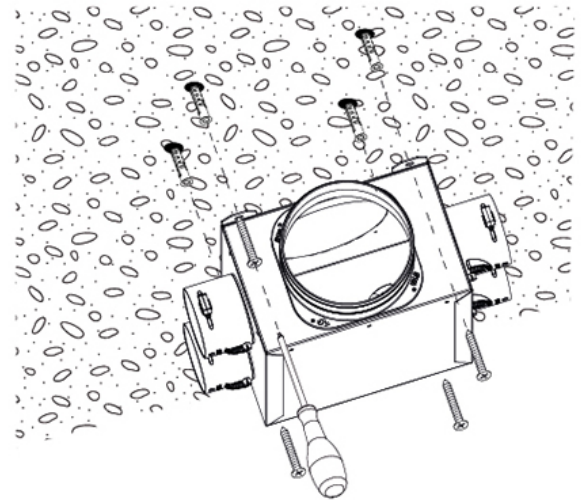
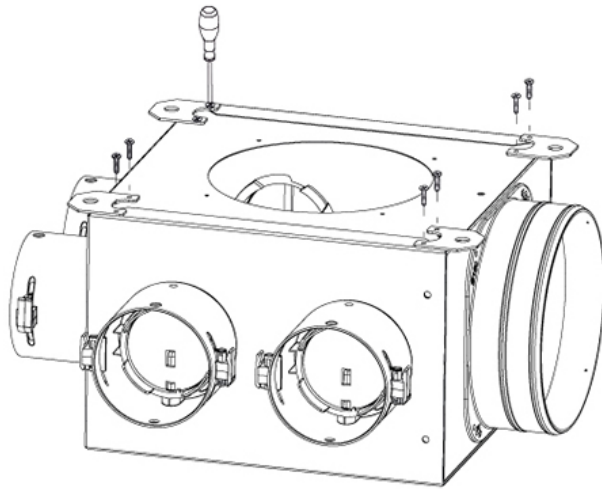
TECHNICAL SPECIFICATIONS

	ACD600158	ACD600159	ACD600160	ACD600161
Material	lamiera in acciaio zincato			
Materiale coibentazione	polietilene sp. 3 mm			
Connessione IN	Ø 150			
Connessione OUT	6 - Ø75	8 - Ø75	6 - Ø90	8 - Ø90

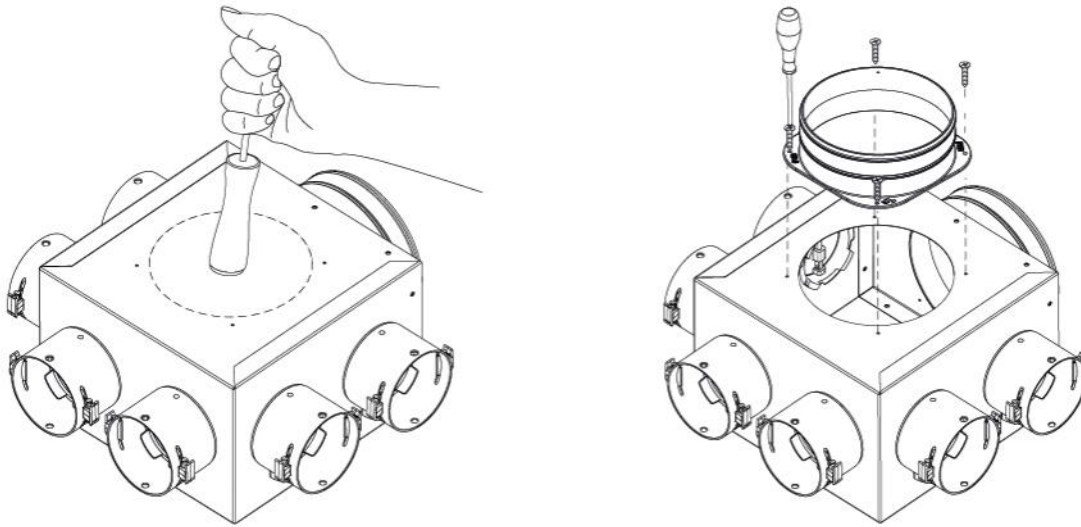
MINIMUM INSTALLATION DIMENSIONS



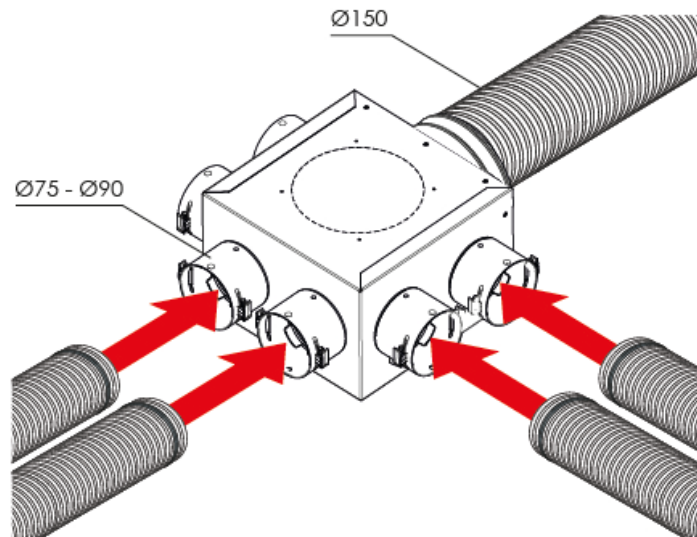
EXAMPLE OF ASSEMBLY



ALTERNATIVE APPLICATIONS



EXAMPLE OF PIPE CONNECTION



ITEMS

CODE	DESCRIPTION
ACD600158	
ACD600159	
ACD600160	
ACD600161	

All rights relating to this publication are the exclusive property of Tecnosystemi SpA.

Tecnosystemi SpA reserves the right to make changes at any time and without notice, for technical or commercial needs.