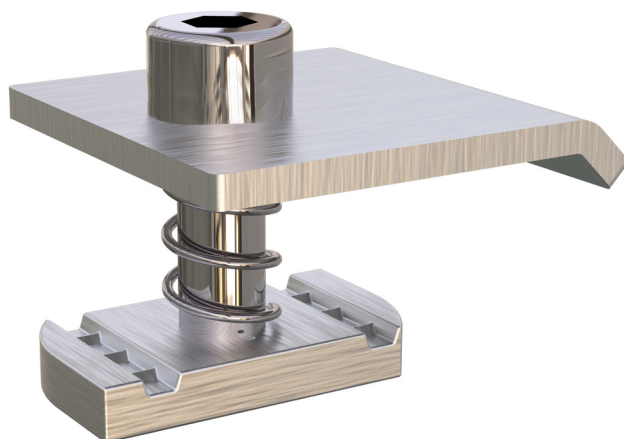


MPST-L

pre-assembled side clamp for solar thermal panel

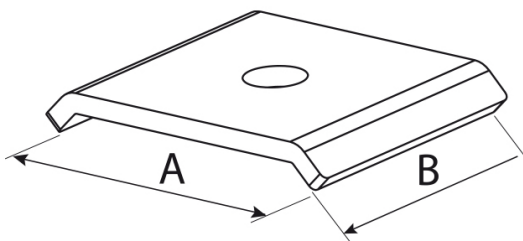
- cod. FVD200035 - cod. FVD200035BOX



TECHNICAL SPECIFICATIONS:

- Acetal copolymer slider with Geomet® treatment steel plate
- M8 thread
- AISI A2 stainless steel screws and spring

TECHNICAL DRAWING:



FULL SIZED:

| CODE | A [mm] | B [mm] |
|--------------|--------|--------|
| FVD200035 | 50 | 40 |
| FVD200035BOX | 50 | 40 |

ITEMS

| CODE | DESCRIPTION |
|--------------|--|
| FVD200035 | MPST-L PRE-ASSEMBLED SIDE CLAMP FOR SOLAR THERMAL PANEL |
| FVD200035BOX | MPST-L PRE-ASSEMBLED SIDE CLAMP FOR SOLAR THERMAL PANEL - BOX 30 pcs |

All rights relating to this publication are the exclusive property of Tecnosystemi SpA.

Tecnosystemi SpA reserves the right to make changes at any time and without notice, for technical or commercial needs.