

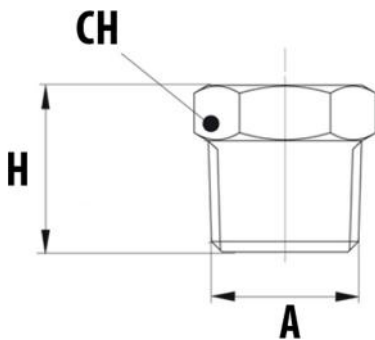
# Male cap

- cod. 26003200 - cod. 26003210 - cod. 26003220
- cod. 26003230 - cod. 26003240



## TECHNICAL SPECIFICATIONS:

- Made of brass
- Application in hydraulics
- Gas thread
- Maximum operating temperature +130°C



## DIMENSIONS

CODE	A	CH	H [mm]
26003200	1/4"		14
26003210	3/8"	17	14
26003220	1/2"	26	17
26003230	3/4"	26	17
26003240	1"	35	23

## ITEMS

CODE	DESCRIPTION
26003200	
26003210	
26003220	
26003230	
26003240	

All rights relating to this publication are the exclusive property of Tecnosystemi SpA.

Tecnosystemi SpA reserves the right to make changes at any time and without notice, for technical or commercial needs.