

# TOTAL AIR 200

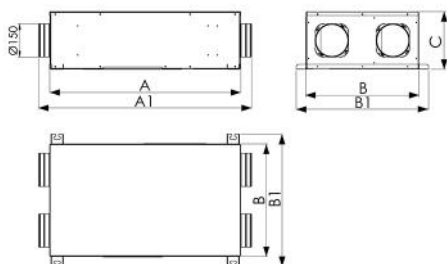
analysable high-efficiency ceiling-mounted static heat recovery unit with automatic mechanical by-pass

- cod. ACD200065 - cod. ACC200015 - cod. ACC200016



## TECHNICAL SPECIFICATIONS:

- For false ceiling installation
- Power supply 230V - 50Hz
- Centrifugal EC motors
- Removable grade G4 filters
- Ø 150 mm couplings
- High-efficiency polystyrene heat exchanger pack
- Removable delivery and intake filters
- Equipped with coupling for condensate drain
- Equipped with automatic bypass activation
- Includes wall-mounted control panel with dirty filter alert



## DIMENSIONS

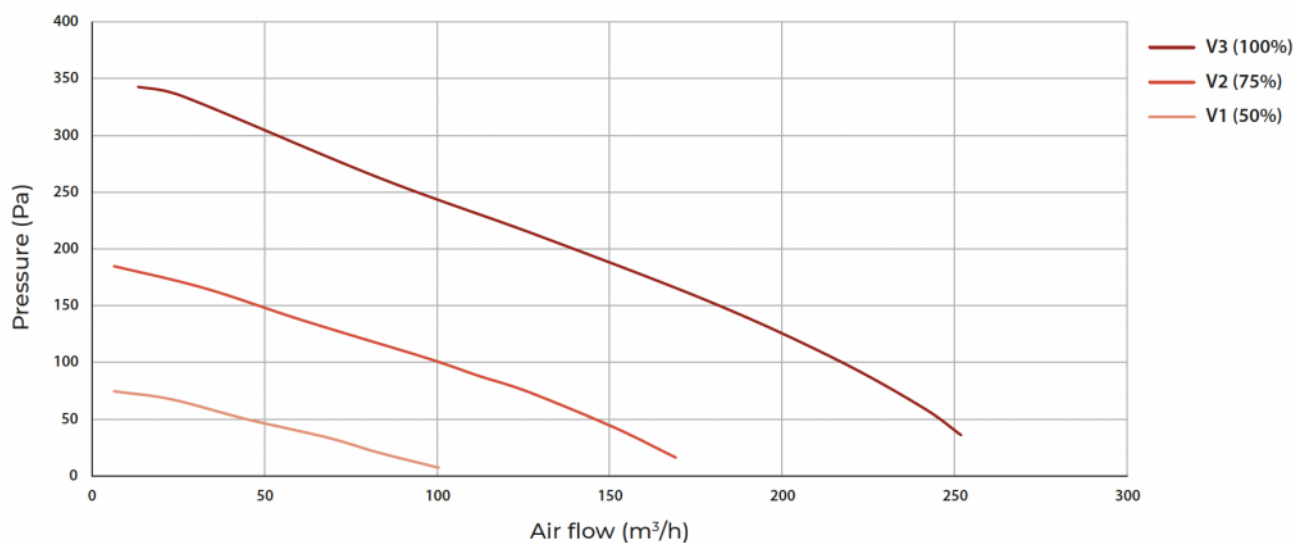
CODE	A [mm]	A1 [mm]	B [mm]	B1 [mm]	C [mm]
ACD200065	850	948	500	589	257

## ELECTRICAL AND PERFORMANCE DATA

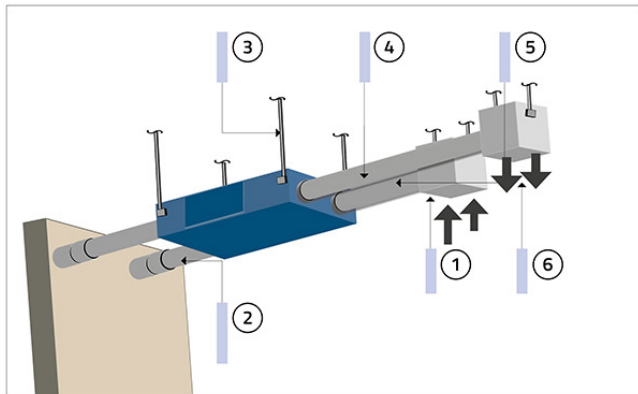
SPECIFICATIONS	DATA
Type	Unità di ventilazione Residenziale Bidirezionale
Power Supply	230 V - 50 Hz
Electrical power input at maximum flow rate [W]	85
Maximum flow rate (a 100 Pa) [m <sup>3</sup> /h]	215
Thermal efficiency of the exchange pack	85%
ENERGY RATING (Class SEC temperate climate)	A
Type of heat recovery	Recovery
Type of control	Local environmental control

## TECHNICAL SPECIFICATIONS HEAT RECOVERY UNIT

SPECIFICATIONS	DATA
Body material	Electro-galvanised-plated sheet
Insulation	Closed-cell polyethylene 3 mm
Filter: delivery/intake	G4
Duct diameter [mm]	150
Type of heat recovery unit	Cross-flow



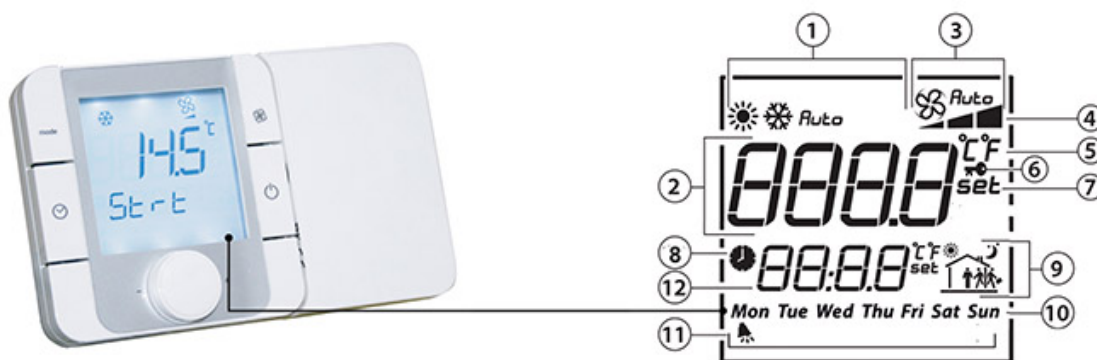
## HEAT RECOVERY UNIT INSTALLATION DIAGRAM



- [1] Air intake
- [2] Intake duct from the outside
- [3] Fastenings of the machine to the ceiling
- [4] Delivery air passage duct
- [5] Recovery air passage duct
- [6] Air delivery

## CONTROL PANEL

The "Total Air 200" ceiling-mounted high efficiency heat recovery unit has a wall-mounted control panel with the following functions:



- [1] Operating modes
- [2] Main field
- [3] Manual/automatic fan speed
- [4] Fan speed indication
- [5] Temperature measurement unit
- [6] Function locked
- [7] Set Point
- [8] Time slots active
- [9] Current time slots
- [10] Day of the week
- [10] Dirty filter alarm
- [12] Secondary field

## ELECTRICAL CONNECTIONS

The connection required by the heat recovery unit is essentially the power supply connection.

The power is nothing more than the power supply 230V-50Hz-1Ph.

On the power supply line it is good to provide upstream both a disconnector and a differential circuit breaker switch.

## OPTIONAL ACCESSORIES

- Advanced configuration terminal for installer (optional)
- Cable for configuring display (optional)



## ITEMS

CODE	DESCRIPTION
ACD200065	TOTAL AIR 200 HIGH-EFFICIENCY CEILING-MOUNTED DUCTABLE STATIC HEAT RECOVERY UNIT WITH AUTOMATIC MECHANICAL BY-PASS
ACC200015	ADVANCED SETUP DISPLAY FOR INSTALLERS (OPTIONAL)
ACC200016	CABLE FOR CONFIGURATING DISPLAY

All rights relating to this publication are the exclusive property of Tecnosystemi SpA.

Tecnosystemi SpA reserves the right to make changes at any time and without notice, for technical or commercial needs.