

# PITAGORA

floor base

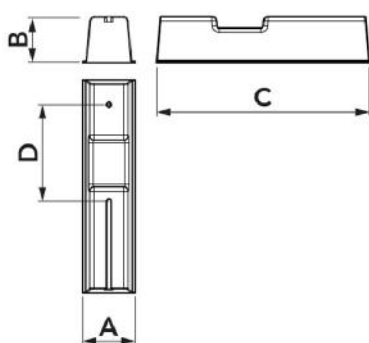
MADE IN ITALY

- cod. SCD500290 - cod. SCD500291



## TECHNICAL SPECIFICATIONS:

- Anti-UVA glass-filled nylon
- Includes M8 bolts
- High mechanical strength
- Slot for pipes and electrical cables
- Ivory colour



## DIMENSIONS

CODE	A [mm]	B [mm]	C [mm]	D [mm]
SCD500290	115	80	365	200 - 310
SCD500291	115	80	465	300-410

## TECHNICAL DATA

CODE	COLOUR	LOAD CAPACITY [kg]
SCD500290	IVORY	140
SCD500291	IVORY	240

## ITEMS

CODE	DESCRIPTION
SCD500290	FLOOR MOUNTING BLOCKS "PITAGORA 365" - PACK OF 5 PAIRS
SCD500291	FLOOR MOUNTING BLOCKS "PITAGORA 465" - PACK OF 5 PAIRS

All rights relating to this publication are the exclusive property of Tecnosystemi SpA.

Tecnosystemi SpA reserves the right to make changes at any time and without notice, for technical or commercial needs.