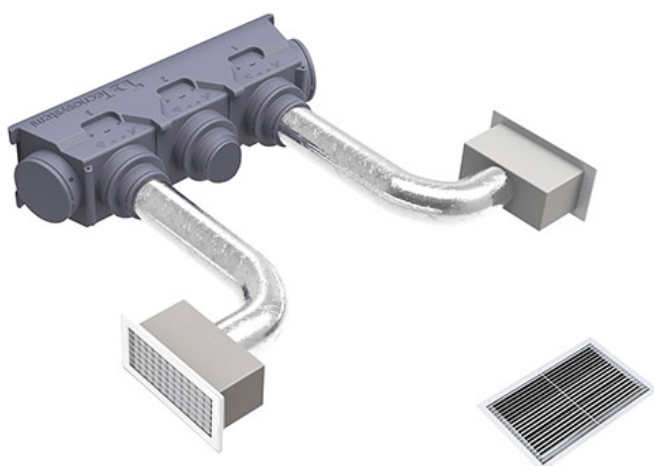


DATASHEET

rev. 00 - 10/11/2022

EOLO MINI Ø150

Kit Svelto with 15° inclined flap nozzles



DESCRIPTION

The "Svelto Kit" is the complete solution for air distribution for ducted units: it contains all the necessary accessories to correctly channel the air produced by the indoor unit to distribute it optimally in each room.

Having chosen the brand and model of the ducted machine, simply choose the nozzle or the diffuser and finally the plenum. Possibility of customisation on request.

THE KIT CONSISTS OF:

- 1 custom sintered polystyrene plenum for indoor units
- Collars integrated into plenum (quantity depending on zones)
- White painted aluminium linear nozzle with 15° tilted fixed flap frame - installation hole 300 x 150 mm outer size 335 x 185 mm cod. PWC100010 (amount depending on zone)
- Insulated plenums with rear coupling for nozzle (332 x 182 mm) cod. PWD1000055 (amount depending on zone)
- Calibration dampers for nozzle 332 x 182 mm cod. W11161568 (amount depending on zone)
- Flexible insulated aluminium double-walled hose: 10 m Ø 150 code 11152152
- 1 white aluminium intake grille, installation hole 600 x 400 mm outer dimensions 632 x 432 mm with filter 600 x 400 mm, cod. WB11161525
- Hose clamps (quantity depending on zone)