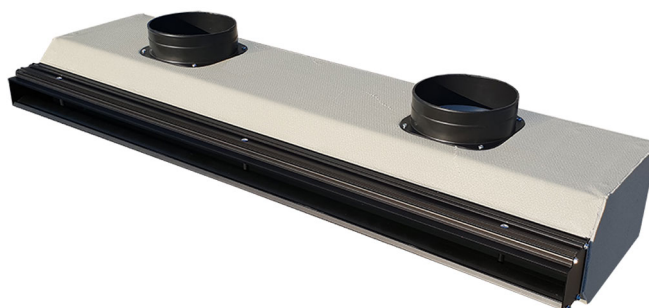


Linear diffuser with single slot damper with deflector, without frame, concealed, complete with insulated plenum

- cod. PWD300572 - cod. PWD300573 - cod. PWD300574
- cod. PWD300575 - cod. PWD300576



DESCRIPTION

Linear diffuser with single slot damper with deflector, without frame, concealed installation.

Ideal for wall or ceiling installation.

To be used for air delivery and intake

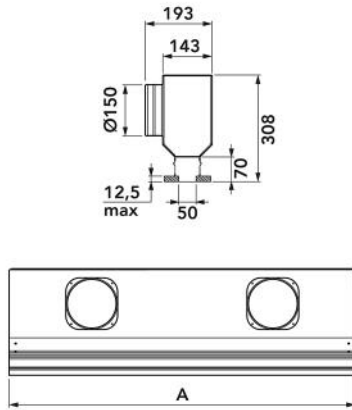
Front lance and side lance with "Coandă" effect can be installed.

Bracketing to wall or ceiling by means of brackets placed on the plenum.

Support seats of the wall or plasterboard ceiling obtained on the diffuser itself.

TECHNICAL SPECIFICATIONS:

- Diffuser made of BLACK extruded anodised aluminium (RAL 9005)
- Plenum made of galvanised sheet metal with circular plastic coupler
- Outer closed cell polyethylene coating (thickness 3 mm)
- With sliding calibration damper
- Ceiling or wall installation
- Suitable for air delivery and intake
- Collars included



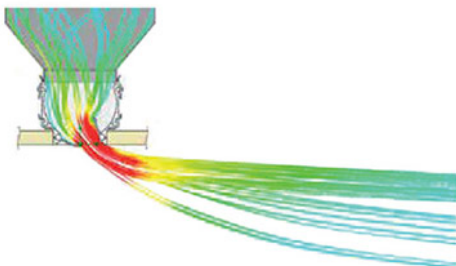
DIMENSIONS

CODE	DIMENSION A [mm]	COUPLERS (NO.)	AIR FLOW MIN / MAX (m ³ /h)
PWD300572	600	1	75 / 258
PWD300573	800	2	100 / 344
PWD300574	1000	2	125 / 430
PWD300575	1500	3	187,5 / 645
PWD300576	2000	4	250 / 860

TECHNICAL DATA

CODE	Ak [m ²]	Q [m ³ /h] MIN	Q [m ³ /h] MAX	LwA [dB(A)] MIN	LwA [dB(A)] MAX	X(0.25) - Y(0.25) MIN [m]	X(0.25) - Y(0.25) MAX [m]	Dpt [Pa] MIN	Dpt [Pa] MAX
PWD300572	0,01029	75	258	33	47	5,50	15	9,8	49
PWD300573	0,01372	100	344	34	48	5,6	15,2	9,9	49,5
PWD300574	0,01715	125	430	34	48	5,68	15,36	10	50
PWD300575	0,02573	187,5	645	34	48	5,75	15,5	10,1	0,5
PWD300576	0,03430	250	860	5	49	5,8	15,7	10,2	51

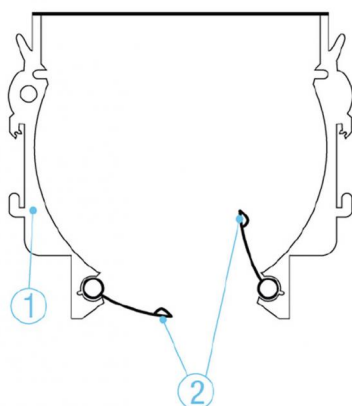
HORIZONTAL LANCE WITH COANDA EFFECT



VERTICAL LANCE



SECTION VIEW



- [1] Diffuser
- [2] Deflecting flaps

ITEMS

CODE	DESCRIPTION
PWD300572	CONCEALED 1-SLOT LINEAR DIFFUSER WITH DEFLECTOR, WITH INSULATED PLENUM AND COLLAR L=600 mm
PWD300573	CONCEALED 1-SLOT LINEAR DIFFUSER WITH DEFLECTOR, WITH INSULATED PLENUM AND COLLAR L=800 mm
PWD300574	CONCEALED 1-SLOT LINEAR DIFFUSER WITH DEFLECTOR, WITH INSULATED PLENUM AND COLLAR L=1000 mm
PWD300575	CONCEALED 1-SLOT LINEAR DIFFUSER WITH DEFLECTOR, WITH INSULATED PLENUM AND COLLAR L=1500 mm
PWD300576	CONCEALED 1-SLOT LINEAR DIFFUSER WITH DEFLECTOR, WITH INSULATED PLENUM AND COLLAR L=2000 mm

All rights relating to this publication are the exclusive property of Tecnosystemi SpA.

Tecnosystemi SpA reserves the right to make changes at any time and without notice, for technical or commercial needs.