

STEALTH 3X

built-in wired backlit programmable thermostat with touch

- cod. GAD100015



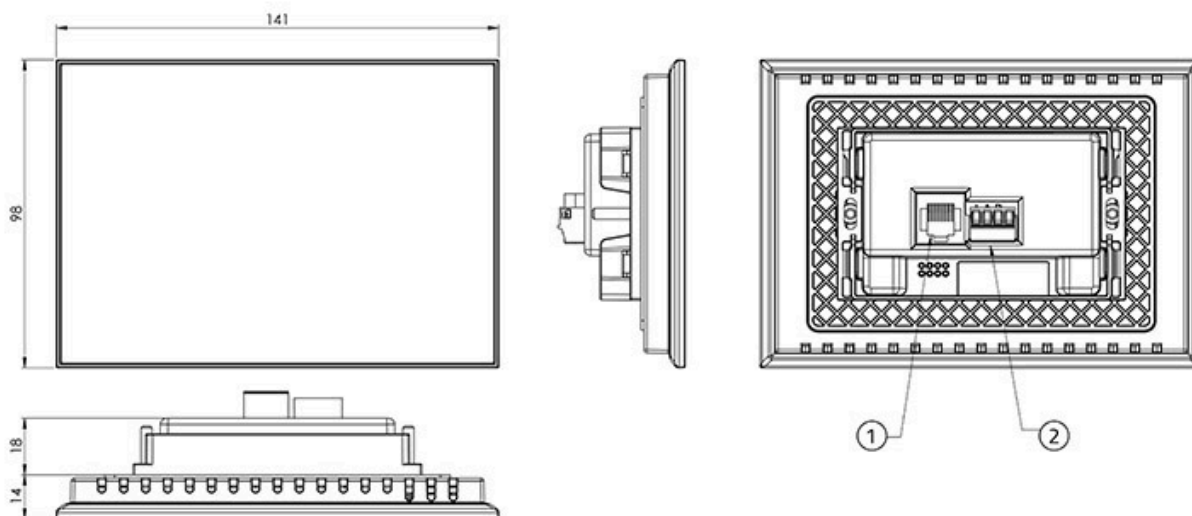
TECHNICAL SPECIFICATIONS:

- Power supply and data transmission: 4-pin cable
- Signal range 100 m max between programmable thermostat and "Polaris" control unit
- Built-in mounted on E503 type boxes by means of adapter, screws and fixing plugs supplied
- 4.5" LCD display with white backlit background

FUNCTIONS

- Touch keypad
- Timed or manual features
- Automatic or manual adjustment of damper and nozzle
- Timed thermostat lock
- Temperature scale °C / °F
- RH display in %
- Humidity control in radiant cooling mode with relay module
- Ready for window contact
- AT and set point value
- Clock (AM - PM / 24h)
- Daily and weekly feature
- Protrusion from flush wall 15 mm

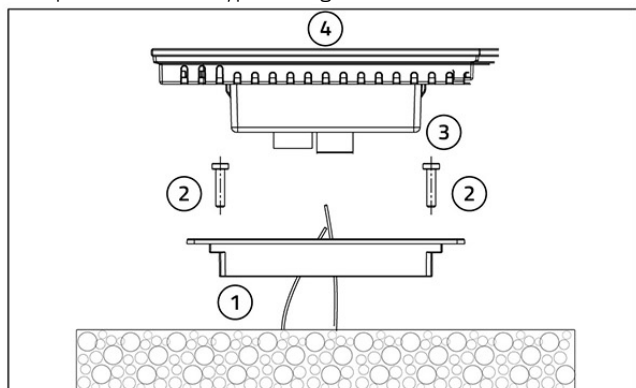
DIMENSIONS



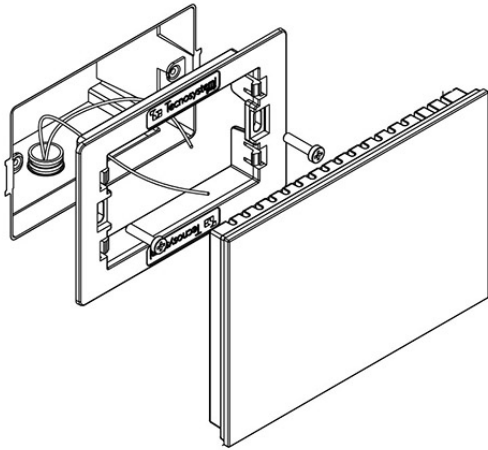
- [1] Rj45 connector
- [2] Polarised 4-pin connector

FIXING

The mounting of the built-in chronothermostat on E503 type boxes by means of adaptor, screws and fixing plugs supplied. It is applied using the screws and the template supplied, inside the traditional electric built-in boxes type E503. The power supply of the programmable thermostat and the transmission of data with the control unit are carried out by means of 4-pole wired bus type wiring.



- [1] Adapter for box E503
- [2] Screw
- [3] Connector
- [4] Timed thermostat



ITEMS

CODE	DESCRIPTION
GAD100015	

All rights relating to this publication are the exclusive property of Tecnosystemi SpA.

Tecnosystemi SpA reserves the right to make changes at any time and without notice, for technical or commercial needs.