

DQC

Circular diffuser on square panel in white painted metal

- cod. PWC200030 - cod. PWC200031 - cod. PWC200032



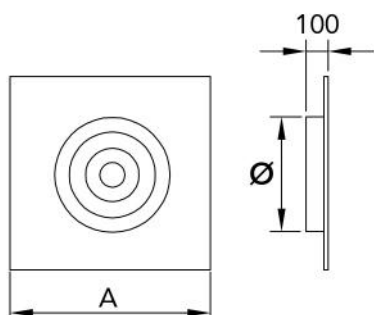
DESCRIPTION

Circular metal diffuser painted white RAL 9016, consisting of concentric truncated conical profiles on a square panel.

The diffuser comes complete with a manual adjustment damper and collar.

Suitable for installation heights from 2.7 m to 3.5 m.

Designed for applications in air conditioning, heating and ventilation systems with both delivery and suction operation.



DIMENSIONS

CODE	A [mm]	Ø [mm]
PWC200030	595 x 595	148
PWC200031	595 x 595	198
PWC200032	595 x 595	248

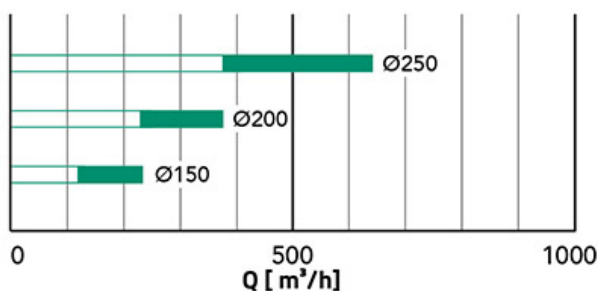
TECHNICAL DATA

Q [m³/h] MIN	Q [m³/h] MAX
150	250
250	380
380	630

OPERATING DATA

Vk (m/s)	PWC200030			PWC200031			PWC200032		
	m³/h	Pa	L(m)	m³/h	Pa	L(m)	m³/h	Pa	L(m)
2	96	6.3	0.7	181	5.5	1.2	291	5	1.5
3	145	14.2	1.1	271	12.5	1.7	435	11.3	2.4
4	195	25.2	1.5	361	22.2	2.3	580	20	3.2
5	242	39.4	1.9	452	34.7	2.9	725	31.5	4.1
6	290	56.8	2.2	542	49.9	3.5	870	45.3	4.9

RAPID AIR FLOW SELECTION



ITEMS

CODE	DESCRIPTION
PWC200030	DQC CIRCULAR DIFFUSER ON PANEL 595X595 PAINTED METAL WHITE
PWC200031	DQC CIRCULAR DIFFUSER ON PANEL 595X595 PAINTED METAL WHITE
PWC200032	DQC CIRCULAR DIFFUSER ON PANEL 595X595 PAINTED METAL WHITE

All rights relating to this publication are the exclusive property of Tecnosystemi SpA.

Tecnosystemi SpA reserves the right to make changes at any time and without notice, for technical or commercial needs.