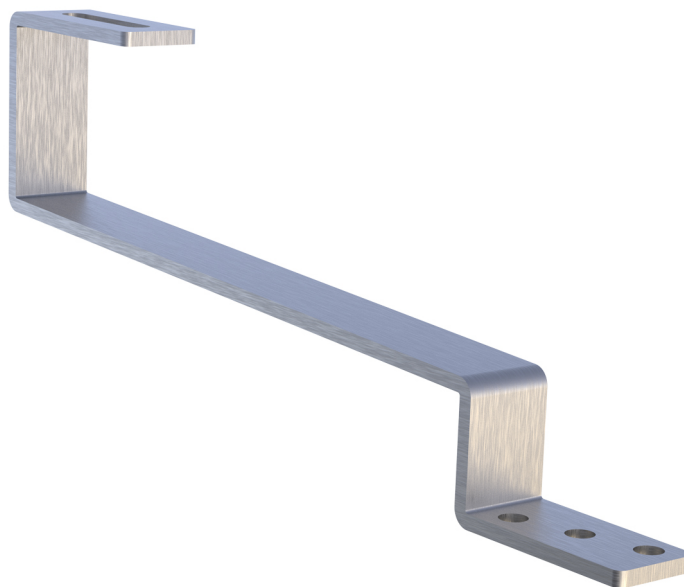


HSTL 120/40-62

HSTL 120 / 40-62 support for fixing on pitched roofs

- cod. 11110709 - cod. 11110709BOX - cod. 11110709Z
- cod. 11110709ZBOX



TECHNICAL SPECIFICATIONS:

- Hook dimensions: 30mm x 5mm thickness
- No. 3 $\varnothing 9$ holes prepared for plate fixing

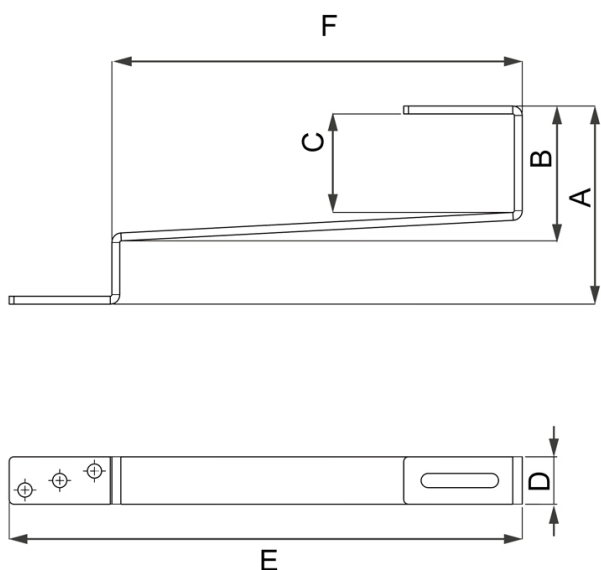
MATERIAL: AISI 304 stainless steel

- Flexural modulus of elasticity: 196000 N/mm²
- Tensile breaking load: 515 N/mm²

MATERIAL: galvanized steel

- Tensile strength: 440 N/mm²
- Treatment: hot dip galvanised

TECHNICAL DRAWING:

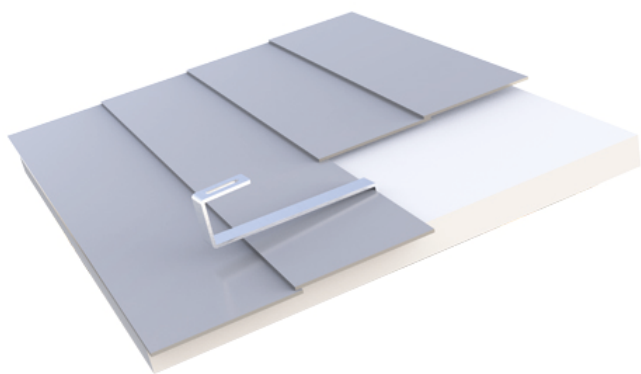


FULL SIZED:

CODE	A [mm]	B [mm]	C [mm]	D [mm]	E [mm]	F [mm]
11110709	120	40	62	30	325	255
11110709Z	120	40	62	30	325	255

APPLICATION:

Fixing of photovoltaic systems on roofing tiles supported by strips of varying thickness.



STAINLESS STEEL CODE

CODE	DESCRIPTION
11110709	SUPPORT FOR FIXING ON ROOFS HSTL 120/40-62 INOX AISI 304
11110709BOX	SUPPORT FOR FIXING ON ROOFS HSTL 120/40-62 INOX AISI 304 - BOX 10 pcs

GALVANISED STEEL CODE

CODE	DESCRIPTION
11110709Z	SUPPORT FOR FIXING ON ROOFS HSTL 120/40-62 ZINCATO
11110709ZBOX	SUPPORT FOR FIXING ON ROOFS HSTL 120/40-62 GALVANIZED- BOX 10 pcs

All rights relating to this publication are the exclusive property of Tecnosystemi SpA. Tecnosystemi SpA reserves the right to make changes at any time and without notice, for technical or commercial needs.

All rights relating to this publication are the exclusive property of Tecnosystemi SpA.

Tecnosystemi SpA reserves the right to make changes at any time and without notice, for technical or commercial needs.