

# GTPFR-1

adjustable flat tile hook

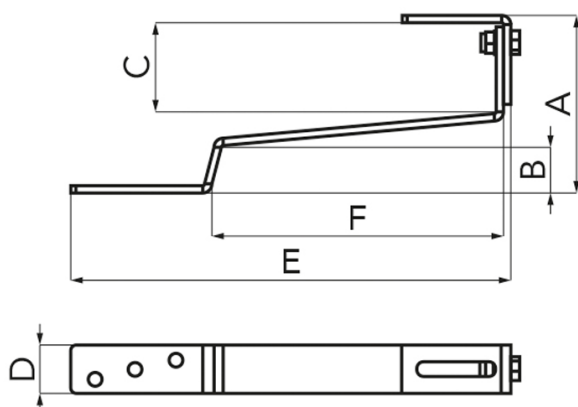
- cod. FVD300007 - cod. FVD300007BOX



## TECHNICAL SPECIFICATIONS:

- Material: AISI 304 stainless steel
- Thickness 5 mm
- 3 holes  $\varnothing$  11 prepared for roof fixing

## TECHNICAL DRAWING:

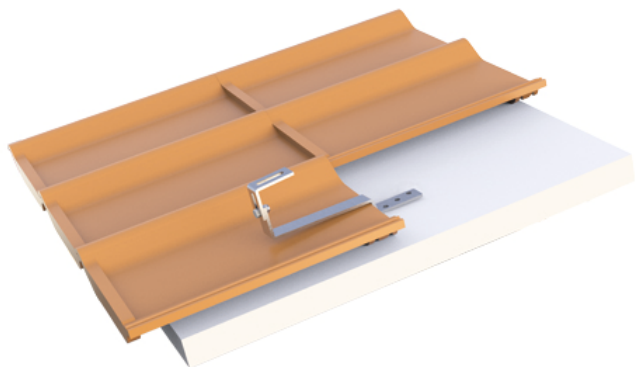


## FULL SIZED:

CODE	A [mm]	B [mm]	C [mm]	D [mm]	E [mm]	F [mm]
FVD300007	110 ÷ 138	30	55 ÷ 85	30	280	195

## APPLICATION:

Fixing of photovoltaic systems on roofing tiles supported by strips of varying thickness.



## ITEMS

CODE	DESCRIPTION
FVD300007	ADJUSTABLE HOOK FOR FLAT TILE ROOFS REGOLABILE GTPFR-1
FVD300007BOX	ADJUSTABLE HOOK FOR FLAT TILE ROOFS REGOLABILE GTPFR-1 - BOX 10 pcs

All rights relating to this publication are the exclusive property of Tecnosystemi SpA.

Tecnosystemi SpA reserves the right to make changes at any time and without notice, for technical or commercial needs.