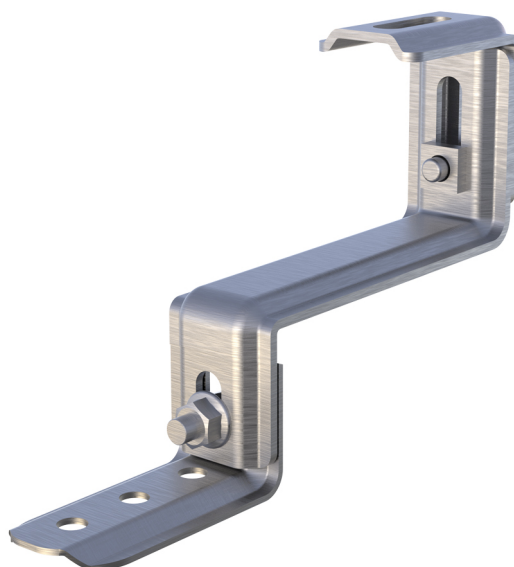


HS2DRAD

support thickness 3 mm double adjustment for tiled roofs

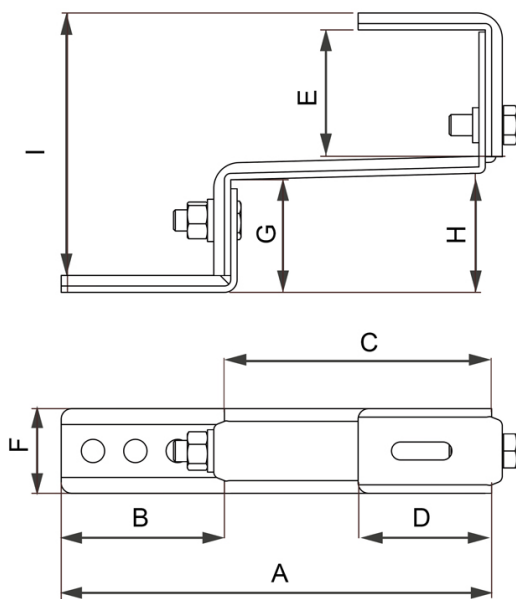
- cod. 11111106 - cod. 11111106BOX



TECHNICAL SPECIFICATIONS:

- Material: AISI 304 stainless steel
- Flexural modulus of elasticity: 196000 N/mm²
- Tensile breaking load: 515 N/mm²
- 3 holes Ø 11 prepared for roof fixing
- Hook dimensions: 40mm x 3mm thickness

TECHNICAL DRAWING:



DIMENSIONS OF THE SHORT VERSION:

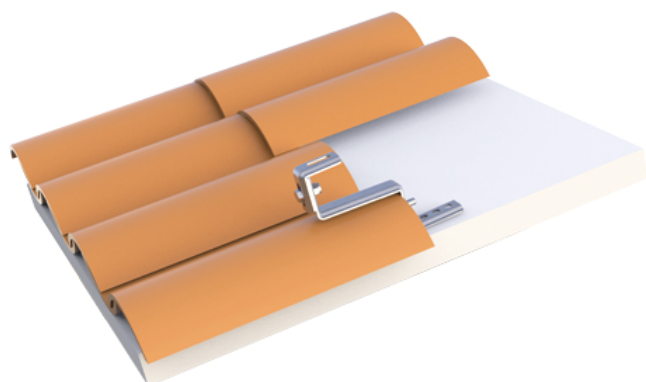
CODE	A [mm]	B [mm]	C [mm]	D [mm]	E [mm]	F [mm]	G [mm]	H [mm]	I [mm]
11111106	211	80	120	60	64-89	40	53-64	56-67	136-172

DIMENSIONS OF THE LONG VERSION:

CODE	A [mm]	B [mm]	C [mm]	D [mm]	E [mm]	F [mm]	G [mm]	H [mm]	I [mm]
11111106	211	80	120	60	60-75	40	67-78	70-81	146-172

APPLICATION:

Fixing of photovoltaic systems on roofing tiles supported by strips of varying thickness.



ITEMS

CODE	DESCRIPTION
11111106	SUPPORT WHIT DUAL REGULATION "HS2DRAD"
11111106BOX	SUPPORT WHIT DUAL REGULATION "HS2DRAD" - BOX 10 pcs

All rights relating to this publication are the exclusive property of Tecnosystemi SpA.

Tecnosystemi SpA reserves the right to make changes at any time and without notice, for technical or commercial needs.