

HSDRT

support with double adjustment for fixing on tiled roofs

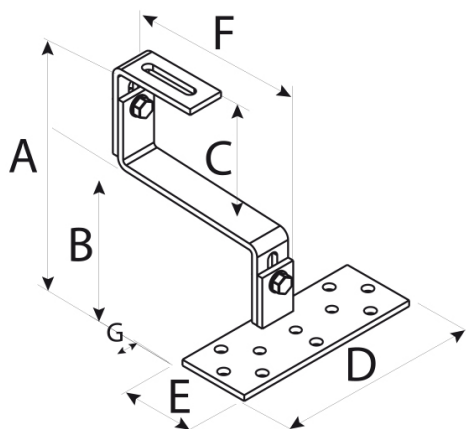
- cod. 11110733 - cod. 11110733BOX



TECHNICAL SPECIFICATIONS:

- Material: AISI 304 stainless steel
- Flexural modulus of elasticity: 196000 N/mm²
- Tensile breaking load: 515 N/mm²

TECHNICAL DRAWING:



FULL SIZED:

CODE	A [mm]	B [mm]	C [mm]	D [mm]	E [mm]	F [mm]	G [mm]
11110733	225 ± 155	100 ± 65	115 ± 75	160	60	100	30
11110733BOX	225 ± 155	100 ± 65	115 ± 75	160	60	100	30

ITEMS

CODE	DESCRIPTION
11110733	SUPPORT HSDRT WITH DOUBLE ADJUSTMENT FOR TILE ROOFS - INOX AI31 304
11110733BOX	SUPPORT HSDRT - INOX AI31 304 - BOX 10 pcs

All rights relating to this publication are the exclusive property of Tecnosystemi SpA.

Tecnosystemi SpA reserves the right to make changes at any time and without notice, for technical or commercial needs.