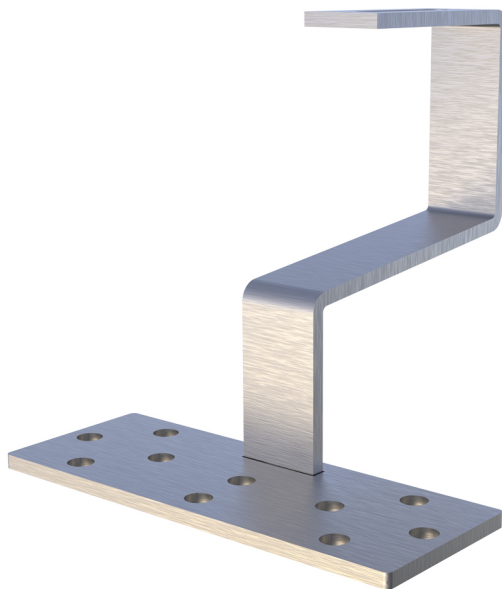


HSTT 205/45-145

STL 160-140R supports for fixing to tiles on roofs

- cod. 11110704 - cod. 11110704BOX - cod. 11110704Z
- cod. 11110704ZBOX



TECHNICAL SPECIFICATIONS:

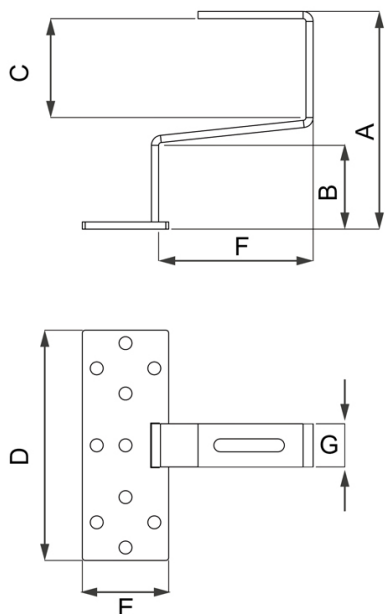
MATERIAL: AISI 304 stainless steel

- Flexural modulus of elasticity: 196000 N/mm²
- Tensile breaking load: 515 N/mm²

MATERIAL: galvanized steel

- Tensile strength: 440 N/mm²
- Treatment: hot dip galvanised
- Hook dimensions: 30mm x 5mm thickness
- 10 holes Ø 9 prepared for plate fixing

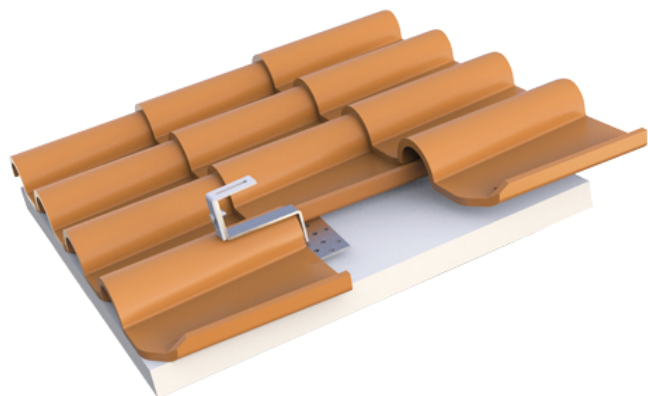
TECHNICAL DRAWING:



FULL SIZED:

CODE	A [mm]	B [mm]	C [mm]	D [mm]	E [mm]	F [mm]	G [mm]
11110704	205	45	145	160	60	110	30
11110704BOX	205	45	145	160	60	110	30

APPLICATION:



Fixing of photovoltaic systems on roofing tiles supported by strips of varying thickness.

STAINLESS STEEL CODE

CODE	DESCRIPTION
11110704	SUPPORT FOR FIXING ON ROOFS WITH TILES HSTT 205/45-145 INOX AISI 304
11110704BOX	SUPPORT FOR FIXING ON ROOFS WITH TILES HSTT 205/45-145 INOX AISI 304 - BOX 10 pcs

GALVANISED STEEL CODE

CODE	DESCRIPTION
11110704Z	SUPPORT FOR FIXING ON ROOFS WITH TILES HSTT 205/45-145 ZINCATO
11110704ZBOX	SUPPORT FOR FIXING ON ROOFS WITH TILES HSTT 205/45-145 GALVANIZED- BOX 10 pcs

All rights relating to this publication are the exclusive property of Tecnosystemi SpA. Tecnosystemi SpA reserves the right to make changes at any time and without notice, for technical or commercial needs.

All rights relating to this publication are the exclusive property of Tecnosystemi SpA.

Tecnosystemi SpA reserves the right to make changes at any time and without notice, for technical or commercial needs.