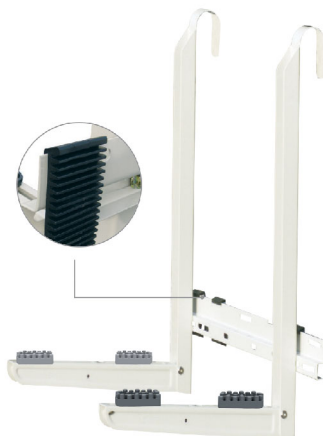


MR

railing bracket

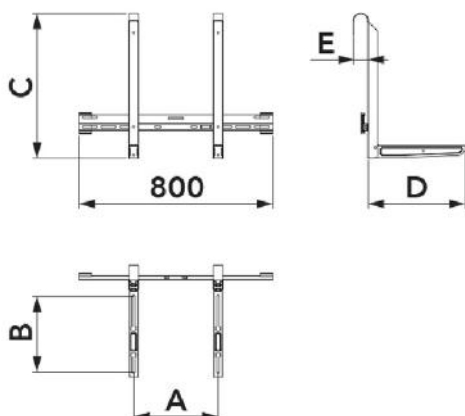


- cod. 11100028 - cod. 11100029



TECHNICAL SPECIFICATIONS:

- Made of electro-galvanised sheet metal
- External polyester painting RAL 9002
- Ready for condensate drain pan
- "No-Shock" sliding vibration dampers supplied
- Vibration-damping in rubber supplied



DIMENSIONS

CODE	A [mm]	B [mm]	C [mm]	D [mm]	E [mm]	LOAD CAPACITY [kg]
11100028	350 - 760	150 - 310	600	400	60	70
11100029	350 - 760	180 - 380	700	470	60	100

PACK COMPLETE WITH

- Back sliding "No-Shock" vibration dampers
- screws
- hexagon wrench for assembly
- 1 instruction booklet

ITEMS

CODE	DESCRIPTION
11100028	RAILING MR-70
11100029	MR 100 - RAILING BRACKET

All rights relating to this publication are the exclusive property of Tecnosystemi SpA.

Tecnosystemi SpA reserves the right to make changes at any time and without notice, for technical or commercial needs.