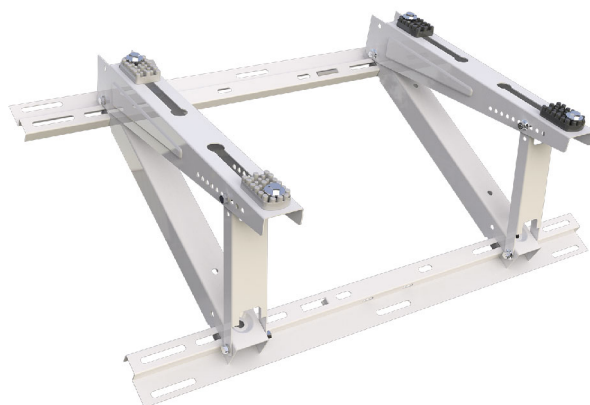


TSTT 140 N

transverse roof bracket

- cod. 11100009

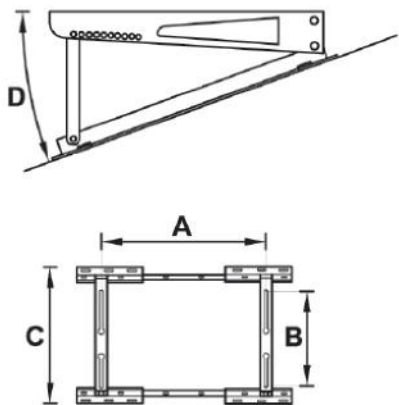


TECHNICAL SPECIFICATIONS:

- Made of electro-galvanised sheet metal
- Adjustable tilt from 14° to 27°
- External polyester painting
- "NO-SHOCK" sliding vibration dampers supplied
- Fixing plugs with chain
- Non-telescopic

PACK COMPLETE WITH

- non-slip rubber feet
- "No-Shock" sliding vibration dampers
- wall mount dowels set with chain
- 1 instruction booklet



DIMENSIONS

CODE	A [mm]	B [mm]	C [mm]	D [mm]	LOAD CAPACITY [kg]
11100009	350 - 750	140 - 370	500	14° - 27°	140

ITEMS

CODE	DESCRIPTION
11100009	ROOF BRACKET TSTT - 140 NON-TELESCOPIC

All rights relating to this publication are the exclusive property of Tecnosystemi SpA.

Tecnosystemi SpA reserves the right to make changes at any time and without notice, for technical or commercial needs.