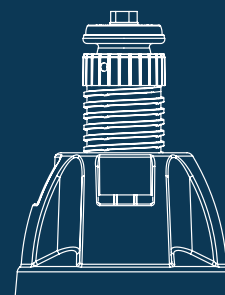
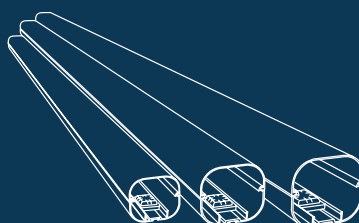
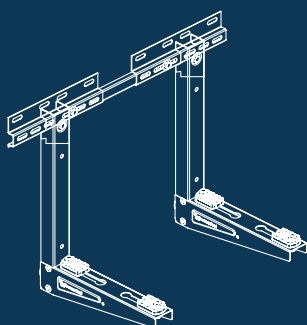
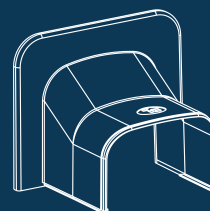
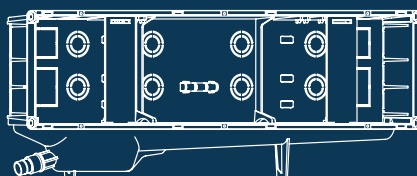
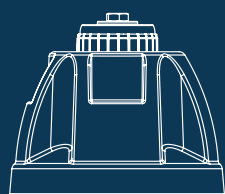




# Smart Clima

Accessories for Air Conditioning



**The most complete professional range of accessories for air conditioning:** trunkings, built-in installation box, wall brackets, floor supports, condensate drain pipes, condensate pumps, copper pipes, protection systems, ecc...

Innovative and functional products, many patented, results of best experience as a leader company in air conditioning market.

# PRODUCT INDEX

08	Trunkings for conditioning EXCELLENS	
30	Trunkings for conditioning OPTIMA	
46	Split installation boxes	
61	Flexible condensate drain pipes	
73	Fittings and sleeves for condensate drain pipes	
79	Rigid condensate drain pipes	
84	Anti-odour siphons for split units Anti-odor siphons for large systems	
91	Condensate trap Condensate trap with heating cable	
100	Mini condensate pumps Condensate pumps for air conditioners	
124	Pumps with tank	
136	Wall brackets and brackets for air conditioners	
153	Stainless steel wall brackets Stainless steel brackets for air conditioners	

**158** Roof wall brackets for air conditioners



**165** Floor supports for air conditioners



**178** Vibration-damping and floor supports



**188** Floor support



**198** Vibration-damping Floor supports



**214** Lifters for helping during the installation of air conditioners / ducts



**218** External unit protection systems



**231** Flow diverters  
Universal remote controls



**236** Single insulated copper pipes



**240** Coupled insulated copper pipes



**242** Copper pipes in rods and accessories



**252** Cleaning and maintenance products







# Smart Clima

Accessories for Air Conditioning

by Tecnosystemi group



**CONDENSATE PUMP  
SORRISO CLIMA LED-SC 11 L**



**CONDENSATE DRAIN  
PIPE AND ACCESSORIES**



**CONDENSATE DRAIN  
PIPE FOR TRUNKING**



**"EXCELLENS" TRUNKINGS  
AND ACCESSORIES**



**"OPTIMA" TRUNKINGS  
AND ACCESSORIES**



**"EXTREME"  
RUBBER FOOT BASES**



**SECURITY CAGES  
FOR EXTERNAL UNIT**



**"GENIUS"  
FLOOR SUPPORTS**



**PVC OUTDOOR UNIT  
COVER CABINET**



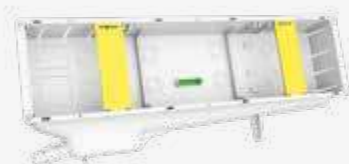
**FLOOR BASES MOD. "PITAGORA", "SUELO MINI",  
"SUELO MAXI", "SPK", "ZEUS"**



**LARGE ADJUSTABLE  
FOOT MOUNT "GENIUS 1500R"**



**PUMP WITH TANK**



**BUILT-IN ARRANGEMENT BOX**



**"EASY FLOW" MINI CONDENSATE PUMPS**



**UNDERMOUNT CONDENSATE DRAIN HOSE**



**"EASY ONE" MINI CONDENSATE PUMPS**



**DRY SIPHON ANTI-ODOUR AND REMOVABLE WITH AESTHETIC LID "REGIO"**



**"EASY ONE" MINI CONDENSATE DRAIN PUMPS**



**UNIVERSAL FINISHING FLANGE**



**FINISHING KITS FOR CONNECTIONS**



**CONDENSATE TRAP**



**WALL-BRACKETS FOR OUTDOOR UNITS**



**BRACKETS FOR OUTDOOR UNITS**



**ROOF BRACKETS**

## WHY INSTALL PROFESSIONAL TRUNKINGS AND ACCESSORIES?

NEW INNOVATIVE MATERIAL FOR AN EXTRAORDINARY RESULT

The professional air conditioning trunking that has distinguished us on the market for 30 years.  
Available in six colours: **Top line - New line - Eco line - Brown line - Black line - Grey Line**



Patented model



Reach certifications



Eco-friendly material



Paintable models



Shockproof



Anti UV rays



High resistance



Operating temperature  
-20°C/+75°C



**TOP LINE**  
(IVORY)



**NEW LINE**  
(WHITE)



**ECO LINE**  
(SIGNAL WHITE)



**BROWN LINE**  
(BROWN)



**BLACK LINE**  
(BLACK)



**GREY LINE**  
(GREY)



# excellens

Italian's favourite trunking

MADE IN ITALY

TRUNKING WITH CLIP-TO-GETHER CENTRAL LOCKING

ACCESSORY WITH SNAP-TO-GETHER BASE AND COVER

FOCUS ON DESIGNING HIGHLY FUNCTIONAL DETAILS

RAW MATERIAL: SHOCK - AND UV - RESISTANT RIGID PLASTIC MATERIAL

BASE WITH PRE-PUNCHED SLOTS FOR WALL MOUNTING

PAINTABLE

ROUNDED BASE AND COVER

Smart  
Clima



## PVC Cleaner

Ideal for cleaning trunking and accessories.

For codes see page 255

## DUCT WITH LEVEL

### TECHNICAL SPECIFICATIONS

- Stiff, shockproof, anti-UVA and recyclable plastic material
- Rounded bottom and lid
- Clip-together central fastening
- Pre-punched slots in bottom for wall mounting
- Four-way sliding spirit level supplied on each 2m bar
- Prepared for insertion of the mini pumps Easy Flow, Easy One, Aqua Split (only model TB 72-EXC)
- Length 2 m
- Paintable
- Operating temperature -20°C / +75°C

## GOULOTTE AVEC BULLE

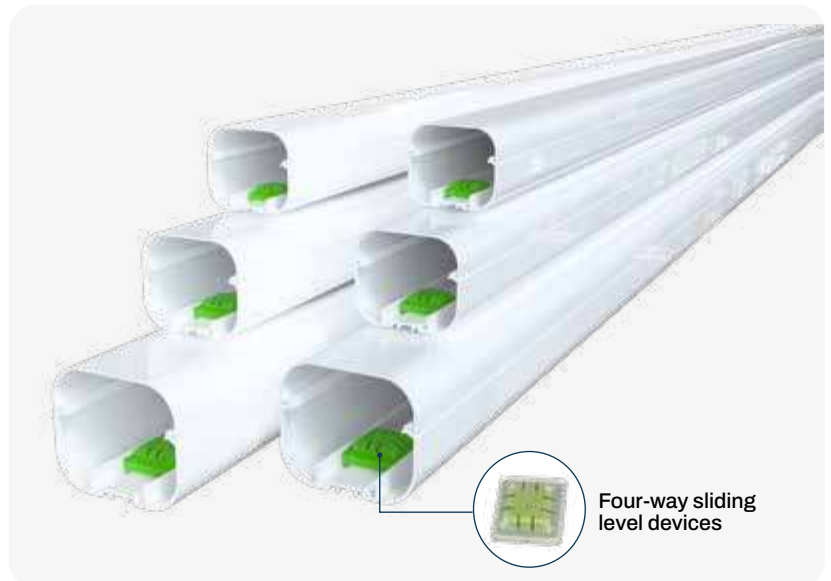
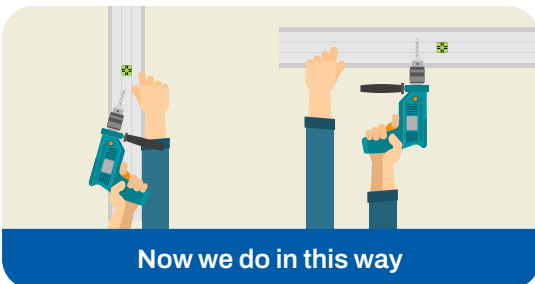
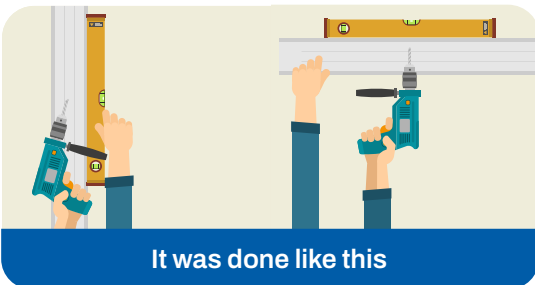
### CARACTÉRISTIQUES TECHNIQUES

- Matériau plastique rigide résistant aux chocs, anti-UVA et recyclable
- Fond et couvercle arrondis
- Joint à ressort central
- Fond avec fentes pour fixation murale
- Bulle coulissante à quatre voies fournie sur chaque barre de 2 m
- Prédiseignée pour l'insertion des mini pompes Easy Flow, Easy One, Aqua Split (modèle TB 72-EXC uniquement)
- Longueur 2 m
- Peut être peint
- Température de fonctionnement -20°C / +75°C

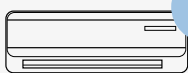
## KANAL MIT LIBELLE

### TECHNISCHE EIGENSCHAFTEN

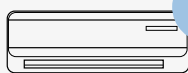
- Starres und stoßfestes aus Kunststoffmaterial, UVA-Strahlenbeständig und recycled
- Abgerundeter Boden und Abdeckung
- Zentrale Federverbindung
- Vorgeöster Boden zur Wandmontage
- Vier-Wege-Schiebe-Libelle auf jeder 2 m Stange, im Lieferumfang enthalten
- Vorbereitet für das Einsetzen von Easy Flow, Easy One, Aqua Split Minipumpen (nur Modell TB 72-EXC)
- Länge: 2 m
- Lackierbar
- Betriebstemperatur -20°C / +75°C



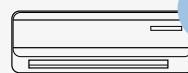
## Applications



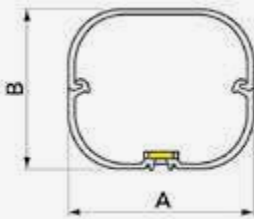
**TRUNKING TB 60 - EXC**  
Suitable for mono split installation



**TRUNKING TB 72 - EXC**  
Suitable for mono split or dual split installation



**TRUNKING TB 100 - EXC**  
Suitable for maximum 4 splits installation



● ECO LINE ○ NEW LINE



Datasheet



MODEL	MIN. QUANTITY	NEW LINE	ECO LINE	DIMENSIONS		U.M.	Pieces per box	U.M. Box	U.M. Pallet
		CODE	CODE	A [mm]	B [mm]				
TB 60 - EXC	10 PCS. = 20 m	B-N11120060	B-E11120060	60	52	PCS	10	10	400
TB 72 - EXC	8 PCS. = 16 m	B-N11120072	B-E11120072	72	64	PCS	8	8	320
TB 100 - EXC	5 PCS. = 10 m	B-N11120010	B-E11120010	98	73	PCS	5	5	200

## STANDARD DUCT

### TECHNICAL SPECIFICATIONS

- Stiff, shockproof, anti-UV and recyclable plastic material
- Rounded bottom and lid
- Clip-together central fastening
- Pre-punched slots in bottom for wall mounting
- Prepared for insertion of the mini pumps Easy Flow, Easy One, Aqua Split (only model T 72-EXC)
- Length 2 m
- Paintable
- Operating temperature -20°C / +75°C

## GOULOTTE STANDARD

### CARACTÉRISTIQUES TECHNIQUES

- Matériau plastique rigide résistant aux chocs, anti-UVA et recyclable
- Fond et couvercle arrondis
- Joint à ressort central
- Fond avec fentes pour fixation murale
- Prêdisposée pour l'insertion des mini pompes Easy Flow, Easy One, Aqua Split (modèle T 72-EXC uniquement)
- Longueur 2 m
- Peut être peint
- Température de fonctionnement -20°C / +75°C

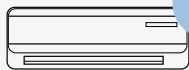
## STANDARDKANAL

### TECHNISCHE EIGENSCHAFTEN

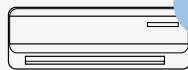
- Starres und stoßfestes aus Kunststoffmaterial, UVA-Strahlenbeständig und recycled
- Abgerundeter Boden und Abdeckung
- Zentrale Federnverbindung
- Vorgeöster Boden zur Wandmontage
- Vorbereitet für das Einsetzen von Easy Flow, Easy One, Aqua Split Minipumpen (nur Modell T 72-EXC)
- Länge: 2 m
- Lackierbar
- Betriebstemperatur -20°C / +75°C



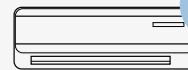
## Applications



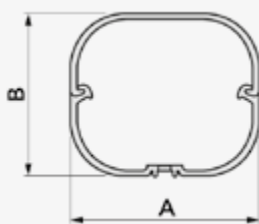
**TRUNKING TB 60 - EXC**  
Suitable for mono split installation



**TRUNKING TB 72 - EXC**  
Suitable for mono split or dual split installation



**TRUNKING TB 100 - EXC**  
Suitable for maximum 4 splits installation



TOP LINE



NEW LINE



ECO LINE



BROWN LINE



BLACK LINE



GREY LINE



Datasheet



NEW

NEW

NEW

MODEL	MIN. QUANTITY	TOPLINE	NEW LINE	ECO LINE	BROWN LINE	BLACK LINE	GREY LINE	DIMENSIONS		U.M.	Pieces per box	U.M. Box	U.M. Pallet
		CODE	CODE	CODE	CODE	CODE	CODE	A [mm]	B [mm]				
T 60 - EXC	10PCS=20m	11120060	N11120060	E11120060	-	-	-	60	52	PCS	10	10	400
T 72 - EXC	8PCS=16m	11120072	N11120072	E11120072	SCD100617	SCD100608	SCD100619	72	64	PCS	8	8	320
T 100 - EXC	5PCS=10m	11120010	N11120010	E11120010	SCD100618	SCD100609	SCD100623	98	73	PCS	5	5	200



## STANDARD DUCT WITH PROTECTIVE FILM

### TECHNICAL SPECIFICATIONS

- Stiff, shockproof, anti-UVA and recyclable plastic material
- Rounded bottom and lid
- Clip-together central fastening
- Pre-punched slots in bottom for wall mounting
- Prepared for insertion of the mini pumps Easy Flow, Easy One, Aqua Split (only model TP 72-EXC)
- Cover with transparent blue protective film in low density polyethylene
- Length 2 m
- Paintable
- Operating temperature -20°C / +75°C

## GOULOTTE STANDARD AVEC PELLICULE DE PROTECTION

### CARACTÉRISTIQUES TECHNIQUES

- Matériau plastique rigide résistant aux chocs, anti-UVA et recyclable
- Fond et couvercle arrondis
- Joint à ressort central
- Fond avec fentes pour fixation murale
- Prédiseignée pour l'insertion des mini pompes Easy Flow, Easy One, Aqua Split (modèle TP 72-EXC uniquement)
- Couvercle avec film protecteur en polyéthylène basse densité bleu transparent
- Longueur 2 m
- Peut être peint
- Température de fonctionnement -20°C / +75°C

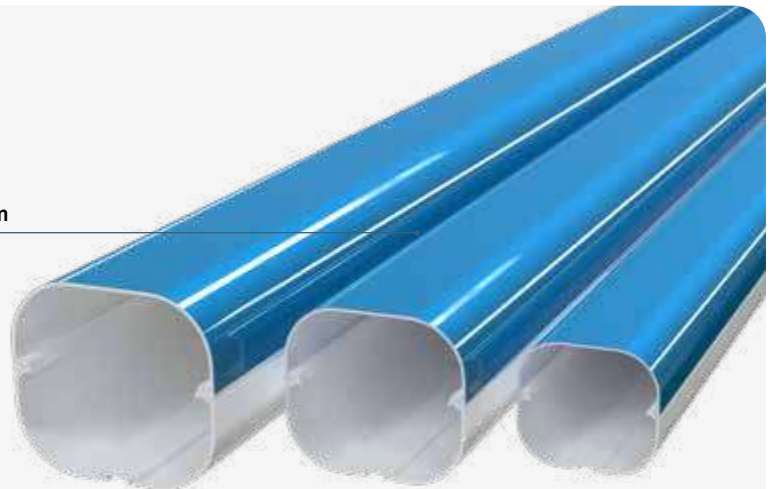
## STANDARDKANAL MIT SCHUTZFOLIE

### TECHNISCHE EIGENSCHAFTEN

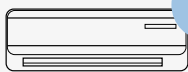
- Starres und stoßfestes aus Kunststoffmaterial, UVA-Strahlenbeständig und recycled
- Abgerundeter Boden und Abdeckung
- Zentralee Federnverbindung
- Vorgeöster Boden zur Wandmontage
- Vorbereitet für das Einsetzen von Easy Flow, Easy One, Aqua Split Minipumpen (nur Modell TP 72-EXC)
- Abdeckung mit transparenter blauer Schutzfolie aus Polyethylen, mit niedriger Dichte
- Länge: 2 m
- Lackierbar
- Betriebstemperatur -20°C / +75°C



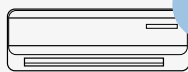
with protective film



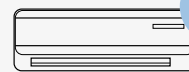
## Applications



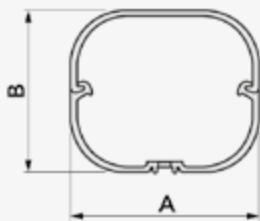
**TRUNKING TB 60 - EXC**  
Suitable for mono split installation



**TRUNKING TB 72 - EXC**  
Suitable for mono split or dual split installation



**TRUNKING TB 100 - EXC**  
Suitable for maximum 4 splits installation



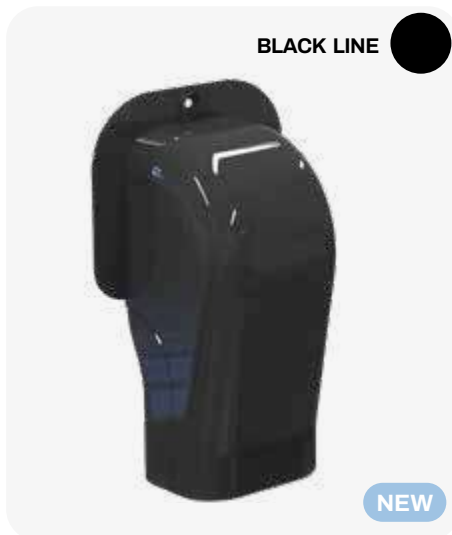
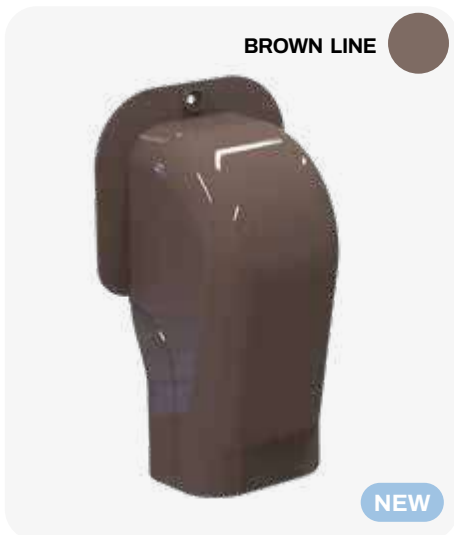
NEW LINE



Datasheet



MODEL	CODE	MIN. QUANTITY	DIMENSIONS		U.M.	Pieces per box	U.M. Box	U.M. Pallet
			A [mm]	B [mm]				
TP 60 - EXC	SCD100099	10 PCS. = 20 m	60	52	PCS	10	10	400
TP 72 - EXC	SCD100100	8 PCS. = 16 m	72	64	PCS	8	8	320
TP 100 - EXC	SCD100101	5 PCS. = 10 m	98	73	PCS	5	5	200









## GENERAL TECHNICAL CHARACTERISTICS FOR ACCESSORIES OF THE EXCELLENS LINE



- Stiff, shockproof, anti-uva and recyclable PVC
- Interlocking bottom and lid
- Duct profile locating ridge
- Outer contouring to facilitate pipe bends
- Outer flange hole cover
- Heat shrink barcode packaging
- Galvanised screw
- Paintable
- Operating temperature -20°C / +75°C

## NEW INNOVATIVE MATERIAL FOR AN EXTRAORDINARY RESULT

-  Patented model
-  Reach certifications
-  Eco-friendly material
-  Anti UV rays
-  High resistance
-  Shockproof



# EXCELLENS TMR

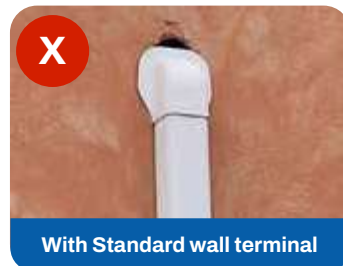
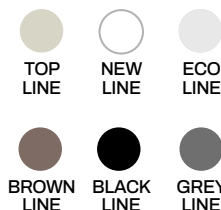
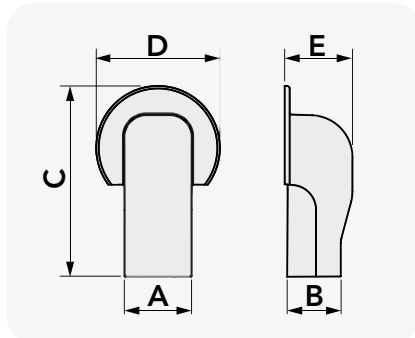
MADE IN ITALY

NEW

 FLANGED ROUND WALL TERMINAL

 EXTRÉMITÉ MURALE À BRIDE RONDE

 WANDABSCHLUSSPROFIL MIT RUNDEM FLANSCH



White model available from February 2025  
Grey and Black model available from March 2025

Large external flange with an innovative round shape

MODEL	TOP LINE	NEW LINE	ECO LINE	BROWN LINE	BLACK LINE	GREY LINE	DIMENSIONS [mm]					U.M.	Pieces per box
	CODE	CODE	CODE	CODE	CODE	CODE	A	B	C	D	E		
TMR 60-EXC	SCD100274	SCD100280	SCD100286	-	-	-	67	56	190	124	68	PCS	5
TMR 72-EXC	SCD100276	SCD100282	SCD100288	SCD100294	SCD100300	SCD100306	78	68	210	140	78	PCS	5
TMR 100-EXC	SCD100278	SCD100284	SCD100290	SCD100296	SCD100302	SCD100308	102	78	240	170	92	PCS	3

Datasheet

# EXCELLENS TMQ

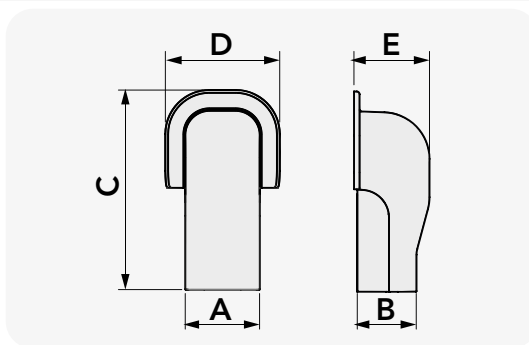
MADE IN ITALY

NEW

 FLANGED SQUARE WALL TERMINAL

 EXTRÉMITÉ MURALE À BRIDE CARRÉE

 WANDABSCHLUSSPROFIL MIT QUADRATISCHEM FLANSCH



Top Line, New Line and Eco Line model available from February 2025  
Brown, Grey and Black model available from March 2025



Datasheet

MODEL	TOP LINE	NEW LINE	ECO LINE	BROWN LINE	BLACK LINE	GREY LINE	DIMENSIONS [mm]					U.M.	Pieces per box
	CODE	CODE	CODE	CODE	CODE	CODE	A	B	C	D	E		
TMQ60-EXC	SCD100273	SCD100279	SCD100285	-	-	-	67	56	180	103	68	PCS	5
TMQ 72-EXC	SCD100275	SCD100281	SCD100287	SCD100293	SCD100299	SCD100305	78	68	200	117	78	PCS	5
TMQ 100-EXC	SCD100277	SCD100283	SCD100289	SCD100295	SCD100301	SCD100307	102	78	225	142	92	PCS	3

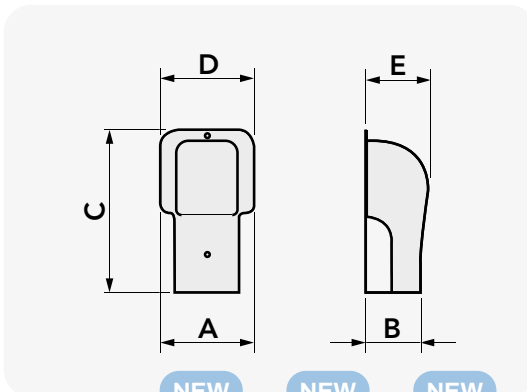
# EXCELLENS TM

MADE IN ITALY

 FLANGED SQUARE WALL TERMINAL

 EXTRÉMITÉ MURALE À BRIDE CARRÉE

 WANDABSCHLUSSPROFIL MIT QUADRATISCHEM FLANSCH



[Datasheet](#)



MODEL	TOP LINE	NEW LINE	ECO LINE	BROWN LINE	BLACK LINE	GREY LINE	DIMENSIONS [mm]					U.M.	Pieces per box
	CODE	CODE	CODE	CODE	CODE	CODE	A	B	C	D	E		
TM 60-EXC	11124160	N11124160	E11124160	-	-	-	66	56	165	96	68	PCS	5
TM 72-EXC	11124172	N11124172	E11124172	SCD100487	SCD100309	SCD100332	78	68	185	108	78	PCS	5
TM 100-EXC	11124110	N11124110	E11124110	SCD100484	SCD100310	SCD100343	104	78	220	137	92	PCS	3

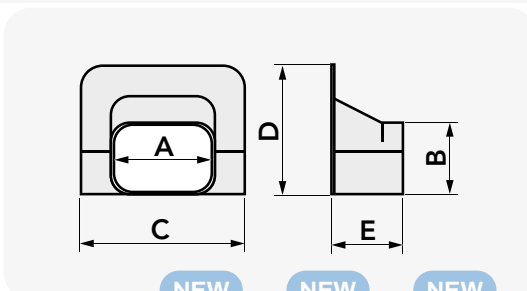
# EXCELLENS TA

MADE IN ITALY

 CORNER TERMINAL

 EXTRÉMITÉ D'ANGLE

 ECKABSCHLUSS



[Datasheet](#)



MODEL	TOP LINE	NEW LINE	ECO LINE	BROWN LINE	BLACK LINE	GREY LINE	DIMENSIONS [mm]					U.M.	Pieces per box
	CODE	CODE	CODE	CODE	CODE	CODE	A	B	C	D	E		
TA 60 - EXC	11122110	N11122110	E11122110	-	-	-	66	56	113	110	55	PCS	5
TA 72 - EXC	11122120	N11122120	E11122120	SCD100489	SCD100311	SCD100336	78	68	125	114	62	PCS	5
TA100 - EXC	11122130	N11122130	E11122130	SCD100495	SCD100312	SCD100344	104	78	155	129	83	PCS	3

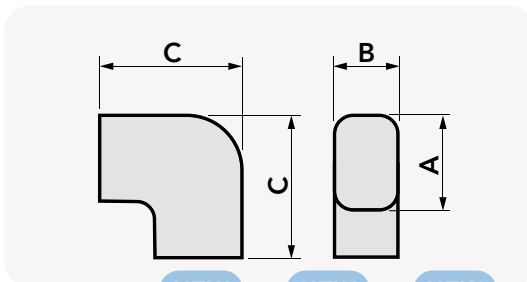
# EXCELLENS CP

MADE IN ITALY

 FLAT CURVE

 COURBE PLATE

 FLACHE KURVE



[Datasheet](#)



MODEL	TOP LINE	NEW LINE	ECO LINE	BROWN LINE	BLACK LINE	GREY LINE	DIMENSIONS [mm]			U.M.	Pieces per box
	CODE	CODE	CODE	CODE	CODE	CODE	A	B	C		
CP 60 - EXC	11120160	N11120160	E11120160	-	-	-	66	56	101	PCS	5
CP 72 - EXC	11120172	N11120172	E11120172	SCD100482	SCD100313	SCD100333	78	68	118	PCS	5
CP 100 - EXC	11120100	N11120100	E11120100	SCD100481	SCD100314	SCD100345	104	78	152	PCS	3

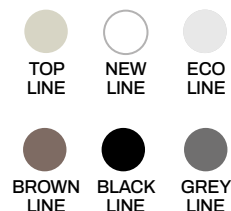
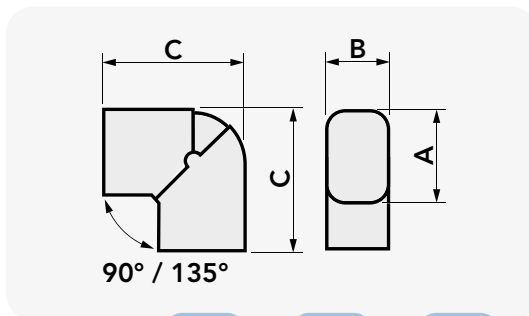
# EXCELLENS CPS

MADE IN ITALY

 ARTICULATED FLAT CURVE

 COURBE PLATE ARTICULÉE

 GELENKIGE FLACHE KURVE



MODEL	TOP LINE	NEW LINE	ECO LINE	NEW	NEW	NEW	DIMENSIONS [mm]			U.M.	Pieces per box
	CODE	CODE	CODE	BROWN LINE	BLACK LINE	GREY LINE	A	B	C		
CPS 60 - EXC	11121111	N11121111	E11121111	-	-	-	66	56	110	PCS	1
CPS 72 - EXC	11121110	N11121110	E11121110	SCD100485	SCD100315	SCD100337	78	68	130	PCS	1

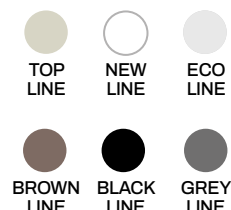
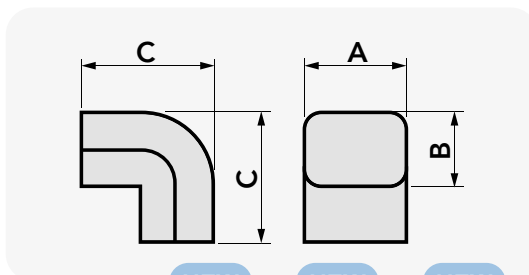
# EXCELLENS CA

MADE IN ITALY

 CORNER CURVE

 COURBE EN ANGLE

 WINKELKURVE



MODEL	TOP LINE	NEW LINE	ECO LINE	NEW	NEW	NEW	DIMENSIONS [mm]			U.M.	Pieces per box
	CODE	CODE	CODE	BROWN LINE	BLACK LINE	GREY LINE	A	B	C		
CA 60 - EXC	11120260	N11120260	E11120260	-	-	-	66	56	84	PCS	5
CA 72 - EXC	11120272	N11120272	E11120272	SCD100494	SCD100316	SCD100334	78	68	98	PCS	5
CA 100 - EXC	11120210	N11120210	E11120210	SCD100488	SCD100317	SCD100346	104	78	115	PCS	3

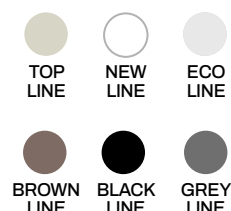
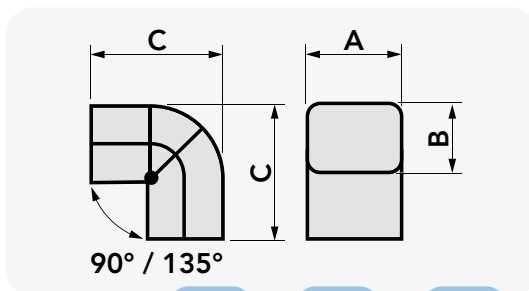
# EXCELLENS CAS

MADE IN ITALY

 ARTICULATED CORNER CURVE

 COURBE EN ANGLE ARTICULÉE

 GELENKIGE WINKELKURVE



MODEL	TOP LINE	NEW LINE	ECO LINE	NEW	NEW	NEW	DIMENSIONS [mm]			U.M.	Pieces per box
	CODE	CODE	CODE	BROWN LINE	BLACK LINE	GREY LINE	A	B	C		
CAS 60 - EXC	11123111	N11123111	E11123111	-	-	-	66	56	104	PCS	1
CAS 72 - EXC	11123110	N11123110	E11123110	SCD100486	SCD100318	SCD100338	78	68	120	PCS	1

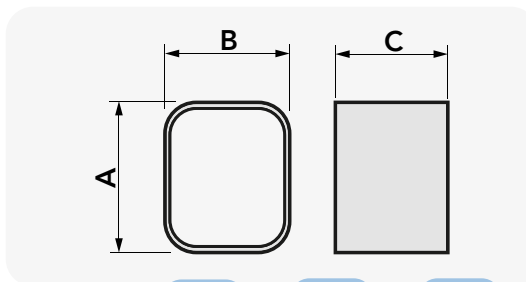
# EXCELLENS MG

MADE IN ITALY

 COUPLING SLEEVE

 MANCHON DE RACCORDEMENT

 ANSCHLUS SMUFFE



MODEL	TOP LINE	NEW LINE	ECO LINE	BROWN LINE	BLACK LINE	GREY LINE	DIMENSIONS [mm]			U.M.	Pieces per box
	CODE	CODE	CODE	CODE	CODE	CODE	A	B	C		
MG 60 - EXC	11121060	N11121060	E11121060	-	-	-	66	56	50	PCS	5
MG 72 - EXC	11121072	N11121072	E11121072	SCD100475	SCD100319	SCD100335	78	68	50	PCS	5
MG 100 - EXC	11121100	N11121100	E11121100	SCD100477	SCD100320	SCD100347	104	78	50	PCS	3

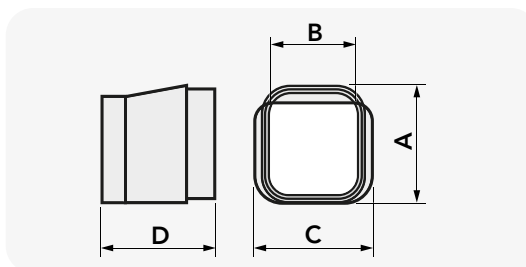
# EXCELLENS MRU

MADE IN ITALY

 UNIVERSAL ROTATION SLEEVE

 MANCHON ROTATIF UNIVERSEL

 UNIVERSELLE ROTATION-SMUFFE



MODEL	TOPLINE	NEWLINE	ECO LINE	DIMENSIONS [mm]				U.M.	Pieces per box
	CODE	CODE	CODE	A	B	C	D		
MRU 60 - EXC	11122140	N11122140	E11122140	66	56	66	62	PCS	5
MRU 72 - EXC	11122150	N11122150	E11122150	78	68	78	74	PCS	5
MRU 100 - EXC	11122160	N11122160	E11122160	104	78	104	103	PCS	3

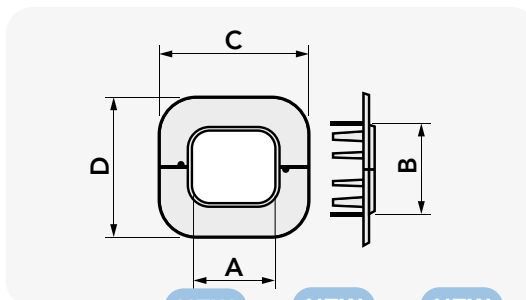
# EXCELLENS RM

MADE IN ITALY

 WALL FLANGE

 ROSACE MURALE

 WAND-FLANSCH



MODEL	TOP LINE	NEW LINE	ECO LINE	BROWN LINE	BLACK LINE	GREY LINE	DIMENSIONS [mm]				U.M.	Pieces per box
	CODE	CODE	CODE	CODE	CODE	CODE	A	B	C	D		
RM 60 - EXC	11122060	N11122060	E11122060	-	-	-	66	56	105	97	PCS	5
RM 72 - EXC	11122072	N11122072	E11122072	SCD100492	SCD100321	SCD100339	78	68	120	112	PCS	5
RM 100 - EXC	11122100	N11122100	E11122100	SCD100493	SCD100322	SCD100348	104	78	167	143	PCS	3





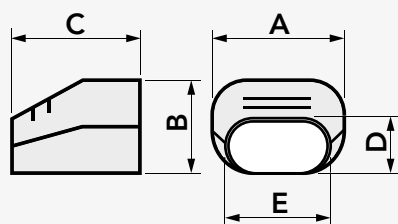
# EXCELLENS TS

MADE IN ITALY

 PIPE OUTPUT TERMINAL

 EXTRÉMITÉ DE SORTIE TUBE

 ABSCHLUSSPROFIL FÜR ROHRAUSTRITT



Datasheet



MODEL	TOP LINE	NEW LINE	ECO LINE	BROWN LINE	BLACK LINE	GREY LINE	DIMENSIONS [mm]					U.M.	Pieces per box
	CODE	CODE	CODE	CODE	CODE	CODE	A	B	C	D	E		
TS 60 - EXC	11124060	N11124060	E11124060	-	-	-	66	56	75	33	60	PCS	5
TS 72 - EXC	11124072	N11124072	E11124072	SCD100479	SCD100323	SCD100340	78	68	90	35	67	PCS	5
TS 100 - EXC	11124100	N11124100	E11124100	SCD100480	SCD100324	SCD100349	104	78	110	35	67	PCS	3

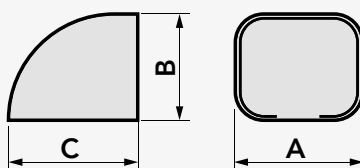
# EXCELLENS TC

MADE IN ITALY

 CLOSING CAP

 BOUCHON DE FERMETURE

 VERSCHLUSSKAPPE



Datasheet



MODEL	TOP LINE	NEW LINE	ECO LINE	BROWN LINE	BLACK LINE	GREY LINE	DIMENSIONS [mm]			U.M.	Pieces per box
	CODE	CODE	CODE	CODE	CODE	CODE	A	B	C		
TC 60 - EXC	-	N11122170	E11122170	-	-	-	66	56	66	PCS	5
TC 72 - EXC	11122180	N11122180	E11122180	SCD100490	SCD100325	SCD100342	78	68	78	PCS	5
TC 100 - EXC	11122190	N11122190	E11122190	SCD100491	SCD100326	SCD100350	104	78	90	PCS	3

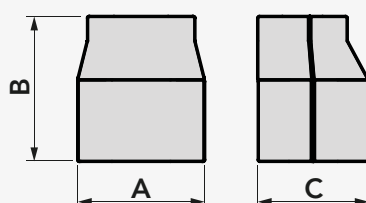
# EXCELLENS RC

MADE IN ITALY

 REDUCTION PER DUCT

 RÉDUCTION POUR GOULOTTE

 REDUZIERUNG FÜR KANAL



Datasheet



MODEL	TOPLINE	NEW LINE	ECO LINE	DIMENSIONS [mm]			U.M.	Pieces per box
	CODE	CODICE	CODE	A	B	C		
RC 72/60 - EXC	11123080	N11123080	E11123080	78	90	68	PCS	1
RC 100/72 - EXC	11123105	N11123105	E11123105	104	90	77	PCS	1

# EXCELLENS DT

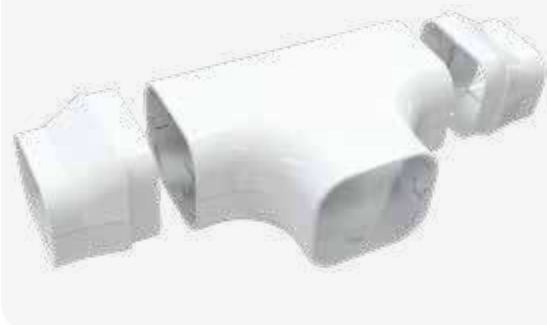
MADE IN ITALY

🇬🇧 "T" SHUNT

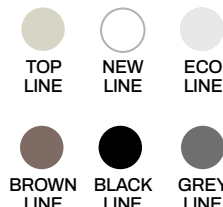
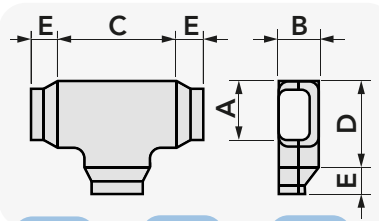
🇫🇷 DÉRIVATION EN « T »

🇩🇪 „T“-ABZWEIGUNG

## FEATURES



- DT 60 composed of: no. 1 "T" 72 and no. 2 reductions RC 72/60-EXC
- DT 72 composed of: no. 1 "T" 100 and no. 2 reductions RC 100/72-EXC
- DT 100 composed of: no. 1 "T" 100 without reductions



Datasheet



NEW

NEW

NEW

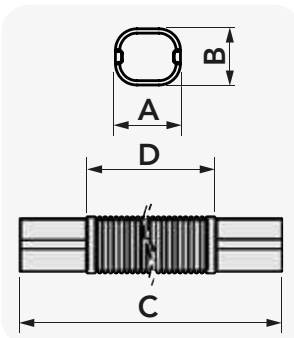
MODEL	TOP LINE	NEW LINE	ECO LINE	BROWN LINE	BLACK LINE	GREY LINE	DIMENSIONS [mm]					U.M.	Pieces per box
	CODE	CODE	CODE	CODE	CODE	CODE	A	B	C	D	E		
DT 60 - EXC	11123060	N11123060	E11123060	-	-	-	66	56	166	125	38	PCS	3
DT 72 - EXC	11123072	N11123072	E11123072	SCD100478	SCD100327	SCD100341	78	68	200	150	40	PCS	3
DT100 - EXC	11123100	N11123100	E11123100	SCD100483	SCD100328	SCD100351	104	78	200	150	-	PCS	3

# EXCELLENS MF

🇬🇧 FLEXIBLE SLEEVE

🇫🇷 MANCHON FLEXIBLE

🇩🇪 FLEXIBLE MUFFE



Datasheet



NEW

NEW

MODEL	TOPLINE	NEW LINE	ECO LINE	BLACK LINE	GREY LINE	DIMENSIONS [mm]				U.M.	Pieces per box
	CODE	CODE	CODE	CODE	CODE	A	B	C	D		
MF 60 - EXC	11124495	N11124495	E11124495	-	-	60	52	520	420	PCS	1
MF 72 - EXC	11124500	N11124500	E11124500	SCD100183	SCD100194	72	64	520	420	PCS	1
MF 100 - EXC	11124505	N11124505	E11124505	-	-	98	73	520	420	PCS	1

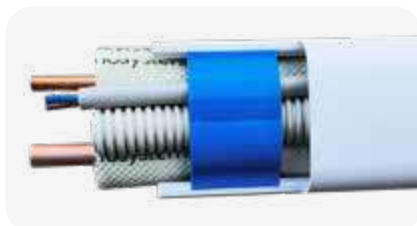
# BLOCK

MADE IN ITALY

🇬🇧 PIPE STOP FOR EXCELLENS DUCT

🇫🇷 BLOC D'ARRÊT DE TUYAU POUR GOULOTTE

🇩🇪 SCHLAUCHBINDER FÜR EXCELLENS-KANAL



MODEL	DESCRIPTION	MIN. QUANTITY	U.M.	Pieces per box
11125016	BLOCK T - 60	20	PCS	20
11125017	BLOCK T - 72	20	PCS	20
11125018	BLOCK T - 100	20	PCS	20
SCD100122	BLOCK T - 135	20	PCS	20

Datasheet



## FLEXIBLE SLEEVE KIT INSTALLATION EXAMPLE



KMF sleeve kit for Excellens trunking



KMGF sleeve kit for Optima trunking



Obstacle passage example with KMGF optima sleeve kit

## AESTHETIC FLANGE INSTALLATION EXAMPLE



Fix the rear part of the aesthetic flange in correspondence with the wall hole



Insert the refrigeration lines and the power cable into the wall hole



Place the refrigeration pipes and the power supply in the corrugated protection pipe



Fix the corrugated tube to the rear part of the aesthetic flange using the bracket provided



Fit the terminal and slide it down then secure



6-feet the rubber sleeve totally into the corrugated pipe



Flare the refrigerant pipes and fix them to the taps of the outdoor unit, connect the power supply. Approach and position the rubber sleeve near the taps

## 🇬🇧 FLEXIBLE SLEEVE KIT - EXC

### TECHNICAL SPECIFICATIONS

- Shockproof and UVA-resistant plastic
- Paintable

#### KIT 70 CONSISTING OF:

- 1 Flexible sleeve Model MGF 72
- 1 piece of 700 mm flexible hose - inner Ø60 mm
- Available colours: white - grey - black

#### KIT 100 CONSISTING OF:

- 1 Flexible sleeve Model MGF 100
- 1 piece of 700 mm flexible hose - inner Ø80 mm
- Available colours: white - grey - black

## 🇫🇷 KIT MANCHON FLEXIBLE - EXC

### CARACTÉRISTIQUES TECHNIQUES

- Matière plastique antichoc et anti-UVA
- Peut être peint

#### KIT 70 COMPRENANT :

- 1 manchon flexible modèle MGF 72
- 1 tube flexible de 700 mm - Ø60 mm interne
- Disponible dans les couleurs: blanc - gris - noir

#### KIT 100 COMPRENANT :

- 1 manchon flexible modèle MGF 100
- 1 tube flexible de 700 mm - Ø80 mm interne
- Disponible dans les couleurs: blanc - gris - noi

## 🇩🇪 BAUSATZ FLEXIBLE MUFFE - EXC

### TECHNISCHE EIGENSCHAFTEN

- Stoßfestes und UVA-beständiges Kunststoffmaterial
- Lackierbar

#### BAUSATZ 70 BESTEHEND AUS:

- 1 flexiblen Muffe, Modell MGF 72
- 1 Schlauch von 700 mm - Ø 60 mm innen
- Erhältlich in den Farben: Weiß - Grau - Schwarz

#### BAUSATZ 100 BESTEHEND AUS:

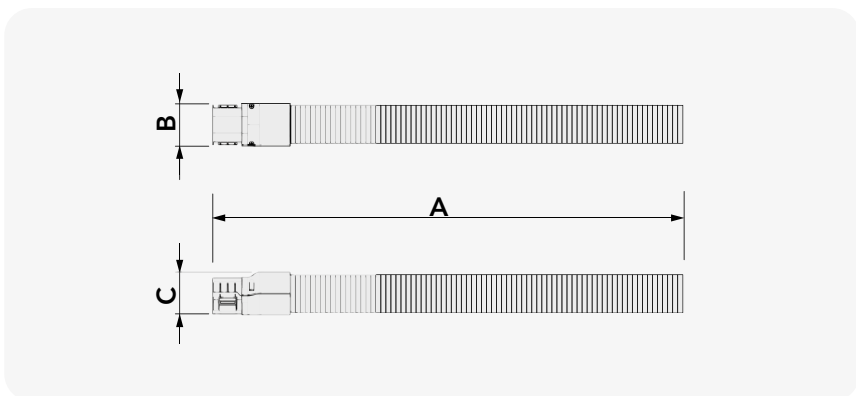
- 1 flexiblen Muffe, Modell MGF 100
- 1 Schlauch von 700 mm - Ø 80 mm innen
- Erhältlich in den Farben: Weiß - Grau - Schwarz



Datasheet



Available from April 2025



CODE	DIMENSIONS [mm]		
	A	B	C
SCD100566	805	72	73
SCD100567	805	72	73
SCD100568	805	72	73
SCD100569	820	97	96
SCD100570	820	97	96
SCD100571	820	97	96

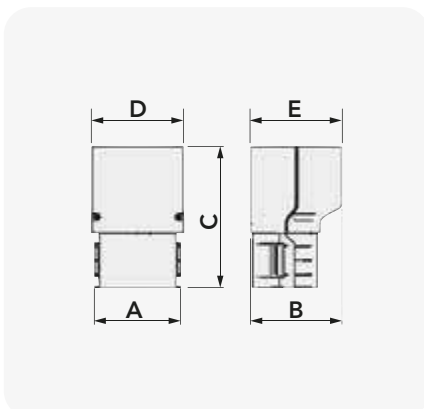
CODE	DESCRIPTION	U.M.	Pieces per box
SCD100566	KMF - FLEXIBLE SLEEVE KIT EXCELLENS MGF 72-EXC WHITE + FLEXIBLE HOSE 70 HOSE PROTECTION - INNER DIAMETER 60 mm	KIT	1
SCD100567	KMF - FLEXIBLE SLEEVE KIT EXCELLENS MGF 72-EXC BLACK + FLEXIBLE HOSE 70 HOSE PROTECTION - INNER DIAMETER 60 mm	KIT	1
SCD100568	KMF - FLEXIBLE SLEEVE KIT EXCELLENS MGF 72-EXC GREY + FLEXIBLE HOSE 70 HOSE PROTECTION - INNER DIAMETER 60 mm	KIT	1
SCD100569	KMF - FLEXIBLE SLEEVE KIT EXCELLENS MGF 100-EXC WHITE + FLEXIBLE HOSE 100 HOSE PROTECTION - INNER DIAMETER 80 mm	KIT	1
SCD100570	KMF - FLEXIBLE SLEEVE KIT EXCELLENS MGF 100-EXC BLACK + FLEXIBLE HOSE 100 HOSE PROTECTION - INNER DIAMETER 80 mm	KIT	1
SCD100571	KMF - FLEXIBLE SLEEVE KIT EXCELLENS MGF 100-EXC GREY + FLEXIBLE HOSE 100 HOSE PROTECTION - INNER DIAMETER 80 mm	KIT	1



FLEXIBLE SLEEVE - EXC

MANCHON DE JONCTION FLEXIBLE - EXC

FLEXIBLE VERBINDUNGSMUFFE - EXC



CODE	DIMENSIONS [mm]				
	A	B	C	D	E
SCD100584	68	61	133	73	73
SCD100585	68	61	133	73	73
SCD100586	68	61	133	73	73
SCD100587	91	69	149	96	96
SCD100588	91	69	149	96	96
SCD100589	91	69	149	96	96

With screws included



Datasheet



Available from April 2025

CODE	DESCRIPTION	U.M.	Pieces per box
SCD100584	MGF - FLEXIBLE SLEEVE FOR EXCELLENS MGF 72-EXC PVC WHITE	PCS	1
SCD100585	MGF - FLEXIBLE SLEEVE FOR EXCELLENS MGF 72-EXC PVC BLACK	PCS	1
SCD100586	MGF - FLEXIBLE SLEEVE FOR EXCELLENS MGF 72-EXC PVC GREY	PCS	1
SCD100587	MGF - FLEXIBLE SLEEVE FOR EXCELLENS MGF 100-EXC PVC WHITE	PCS	1
SCD100588	MGF - FLEXIBLE SLEEVE FOR EXCELLENS MGF 100-EXC BLACK	PCS	1
SCD100589	MGF - FLEXIBLE SLEEVE FOR EXCELLENS MGF 100-EXC PVC GREY	PCS	1

**ROUND AESTHETIC FLANGE KIT WITH FLEXIBLE HOSE AND EXTERNAL UNIT CONNECTION FITTING IN ANTI-UV RUBBER**

**TECHNICAL SPECIFICATIONS**

- Shockproof and UVA-resistant plastic
- Paintable

**KIT 70 CONSISTING OF:**

- 1 Round Terminal 70
- 1 piece of 700 mm flexible hose - inner Ø60 mm
- 1 Connection fitting for outdoor unit in anti-UV rubber
- Available colours: white - grey - black

**KIT 100 CONSISTING OF:**

- 1 Round Terminal 100
- 1 piece of 700 mm flexible hose - inner Ø80 mm
- 1 Connection fitting for outdoor unit in anti-UV rubber
- Available colours: white - grey - black

**KIT ROSACE ESTHÉTIQUE RONDE AVEC TUBE FLEXIBLE ET RACCORD DE RACCORDEMENT UNITÉ EXTERNE EN CAOUTCHOUC ANTI-UV**

**CARACTÉRISTIQUES TECHNIQUES**

- Matière plastique antichoc et anti-UVA
- Peut être peint

**KIT 70 COMPRENANT :**

- 1 extrémité ronde 70
- 1 tube flexible de 700 mm - Ø60 mm interne
- 1 raccord de raccordement unité externe en caoutchouc anti-UV
- Disponible dans les couleurs : blanc - gris - noir

**KIT 100 COMPRENANT :**

- 1 extrémité ronde 100
- 1 tube flexible de 700 mm - Ø80 mm interne
- 1 raccord de raccordement unité externe en caoutchouc anti-UV
- Disponible dans les couleurs : blanc - gris - noir

**BAUSATZ RUNDE DESIGN-ROSETTE MIT SCHLAUCH UND ANSCHLUSS FÜR DAS AUßENGERÄT AUS UV-BESTÄNDIGEM GUMMI**

**TECHNISCHE EIGENSCHAFTEN**

- Stoßfestes und UVA-beständiges Kunststoffmaterial
- Lackierbar

**BAUSATZ 70 BESTEHEND AUS:**

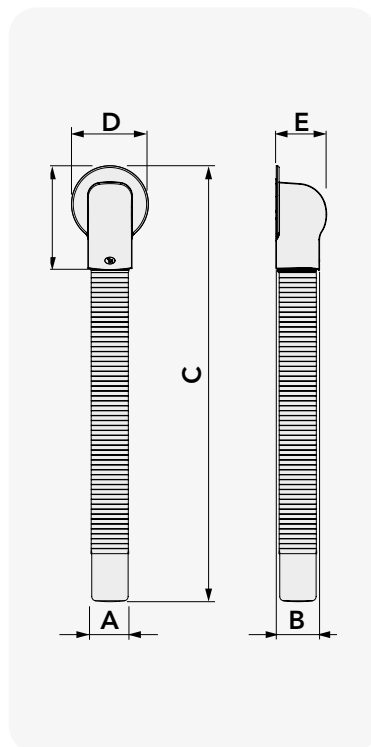
- 1 runden Wandabschluss 70
- 1 Schlauch von 700 mm - Ø 60 mm innen
- 1 Anschluss für Außengerät aus UV-beständigem Gummi
- Erhältlich in den Farben: Weiß - Grau - Schwarz

**BAUSATZ 100 BESTEHEND AUS:**

- 1 runden Wandabschluss 100
- 1 Schlauch von 700 mm - Ø80 mm innen
- 1 Anschluss für Außengerät aus UV-beständigem Gummi
- Erhältlich in den Farben: Weiß - Grau - Schwarz



700 mm



Available from April 2025



CODE	DIMENSIONS [mm]						
	A	B	C	D	E	F	Ø
SCD100551	64	78	980	157	95	209	60
SCD100552	64	78	980	157	95	209	60
SCD100553	64	78	980	157	95	209	60
SCD100557	84	100	1006	177	117	237	80
SCD100558	84	100	1006	177	117	237	80
SCD100559	84	100	1006	177	117	237	80

CODE	DESCRIPTION	U.M.	Pieces per box
SCD100551	KRT - ROUND FLANGE KIT + FLEXIBLE HOSE 70 HOSE PROTECTION - INNER DIAMETER 60mm + EXTERNAL UNIT CONNECTION FITTING IN RUBBER, DIAMETER 60mm - WHITE	KIT	1
SCD100552	KRT - ROUND FLANGE KIT + FLEXIBLE HOSE 70 HOSE PROTECTION - INNER DIAMETER 60mm + EXTERNAL UNIT CONNECTION FITTING IN RUBBER, DIAMETER 60mm BLACK	KIT	1
SCD100553	KRT - ROUND FLANGE KIT + FLEXIBLE HOSE 70 HOSE PROTECTION - INNER DIAMETER 60mm + EXTERNAL UNIT CONNECTION FITTING IN RUBBER, DIAMETER 60mm GREY	KIT	1
SCD100557	KRT - ROUND FLANGE KIT + FLEXIBLE HOSE 100 HOSE PROTECTION - INNER DIAMETER 80mm + EXTERNAL UNIT CONNECTION FITTING IN RUBBER, DIAMETER 80mm - WHITE	KIT	1
SCD100558	KRT - ROUND FLANGE KIT + FLEXIBLE HOSE 100 HOSE PROTECTION - INNER DIAMETER 80mm + EXTERNAL UNIT CONNECTION FITTING IN RUBBER, DIAMETER 80mm BLACK	KIT	1
SCD100559	KRT - ROUND FLANGE KIT + FLEXIBLE HOSE 100 HOSE PROTECTION - INNER DIAMETER 80mm + EXTERNAL UNIT CONNECTION FITTING IN RUBBER, DIAMETER 80mm GREY	KIT	1

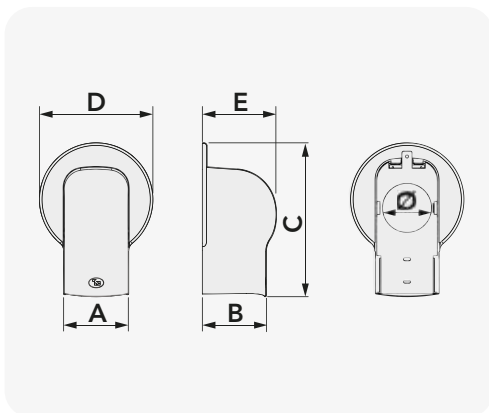




 **ROUND FLANGE FOR FLEXIBLE HOSE Ø 60/80 MM**

 **ROSACE ESTHÉTIQUE RONDE POUR TUBE FLEXIBLE Ø INTERNE 60/80 MM**

 **RUNDE DESIGN-ROSETTE FÜR SCHLAUCH, Ø INNEN 60/80 MM**



CODE	DIMENSIONS [mm]					
	A	B	C	D	E	Ø
SCD100575	78	78	210	157	95	60
SCD100576	78	78	210	157	95	60
SCD100577	78	78	210	157	95	60
SCD100581	102	100	237	177	117	80
SCD100582	102	100	237	177	117	80
SCD100583	102	100	237	177	117	80


With screws included



Datasheet



Available from April 2025

CODE	DESCRIPTION	U.M.	 Pieces per box
SCD100575	RET - ROUND FLANGE FOR FLEXIBLE HOSE 70 HOSE PROTECTION - INNER DIAMETER 60 mm - WHITE	PCS	1
SCD100576	RET - ROUND FLANGE FOR FLEXIBLE HOSE 70 HOSE PROTECTION - INNER DIAMETER 60 mm BLACK	PCS	1
SCD100577	RET - ROUND FLANGE FOR FLEXIBLE HOSE 70 HOSE PROTECTION - INNER DIAMETER 60 mm GREY	PCS	1
SCD100581	RET - ROUND FLANGE FOR FLEXIBLE HOSE 100 HOSE PROTECTION - INNER DIAMETER 80 mm - WHITE	PCS	1
SCD100582	RET - ROUND FLANGE FOR FLEXIBLE HOSE 100 HOSE PROTECTION - INNER DIAMETER 80 mm BLACK	PCS	1
SCD100583	RET - ROUND FLANGE FOR FLEXIBLE HOSE 100 HOSE PROTECTION - INNER DIAMETER 80 mm GREY	PCS	1

**SQUARE AESTHETIC FLANGE KIT WITH FLEXIBLE HOSE AND EXTERNAL UNIT CONNECTION FITTING IN ANTI-UV RUBBER**

**TECHNICAL SPECIFICATIONS**

- Shockproof and UVA-resistant plastic
- Paintable

**KIT 70 CONSISTING OF:**

- 1 Square Terminal 70
- 1 piece of 700 mm flexible hose - inner Ø60 mm
- 1 Connection fitting for outdoor unit in anti-UV rubber
- Available colours: white - grey - black

**KIT 100 CONSISTING OF:**

- 1 Square Terminal 100
- 1 piece of 700 mm flexible hose - inner Ø80 mm
- 1 Connection fitting for outdoor unit in anti-UV rubber
- Available colours: white - grey - black

**KIT ROSACE ESTHÉTIQUE CARRÉE AVEC TUBE FLEXIBLE ET RACCORD DE RACCORDEMENT UNITÉ EXTERNE EN CAOUTCHOUC ANTI-UV**

**CARACTÉRISTIQUES TECHNIQUES**

- Matière plastique antichoc et anti-UVA
- Peut être peint

**KIT 70 COMPRENANT :**

- 1 extrémité carré 70
- 1 tube flexible de 700 mm - Ø60 mm interne
- 1 raccord de raccordement unité externe en caoutchouc anti-UV
- Disponible dans les couleurs : blanc - gris - noir

**KIT 100 COMPRENANT :**

- 1 extrémité carrée 100
- 1 tube flexible de 700 mm - Ø80 mm interne
- 1 raccord de raccordement unité externe en caoutchouc anti-UV
- Disponible dans les couleurs : blanc - gris - noir

**BAUSATZ QUADRATISCHE DESIGN-ROSETTE MIT SCHLAUCH UND ANSCHLUSS FÜR DAS AUßENGERÄT AUS UV-BESTÄNDIGEM GUMMI**

**TECHNISCHE EIGENSCHAFTEN**

- Stoßfestes und UVA-beständiges Kunststoffmaterial
- Lackierbar

**BAUSATZ 70 BESTEHEND AUS:**

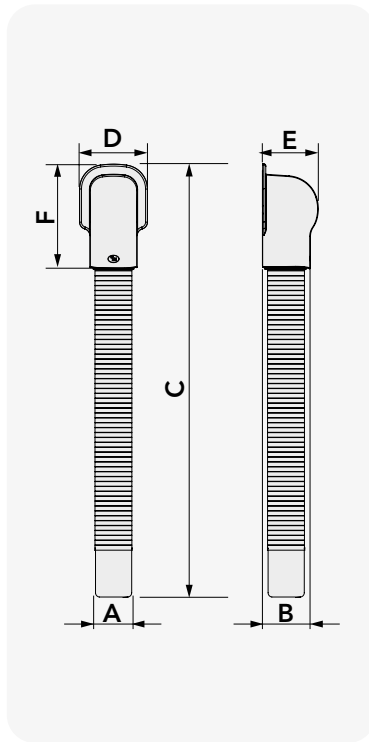
- 1 quadratischen Wandabschluss 70
- 1 Schlauch von 700 mm - Ø 60 mm innen
- 1 Anschluss für Außengerät aus UV-beständigem Gummi
- Erhältlich in den Farben: Weiß - Grau - Schwarz

**BAUSATZ 100 BESTEHEND AUS:**

- 1 quadratischen Wandabschluss 100
- 1 Schlauch von 700 mm - Ø80 mm innen
- 1 Anschluss für Außengerät aus UV-beständigem Gummi
- Erhältlich in den Farben: Weiß - Grau - Schwarz



700 mm



Available from April 2025



DIMENSIONS [mm]							
CODE	A	B	C	D	E	F	Ø
SCD100548	64	78	960	118	95	190	60
SCD100549	64	78	960	118	95	190	60
SCD100550	64	78	960	118	95	190	60
SCD100554	84	100	990	146	116	222	80
SCD100555	84	100	990	146	116	222	80
SCD100556	84	100	990	146	116	222	80

CODE	DESCRIPTION	U.M.	Pieces per box
SCD100548	KRQ - SQUARE FLANGE KIT + FLEXIBLE HOSE 70 HOSE PROTECTION - INNER DIAMETER 60mm + EXTERNAL UNIT CONNECTION FITTING IN RUBBER, DIAMETER 60mm WHITE	KIT	1
SCD100549	KRQ - SQUARE FLANGE KIT + FLEXIBLE HOSE 70 HOSE PROTECTION - INNER DIAMETER 60mm + EXTERNAL UNIT CONNECTION FITTING IN RUBBER, DIAMETER 60mm BLACK	KIT	1
SCD100550	KRQ - SQUARE FLANGE KIT + FLEXIBLE HOSE 70 HOSE PROTECTION - INNER DIAMETER 60mm + EXTERNAL UNIT CONNECTION FITTING IN RUBBER, DIAMETER 60mm GREY	KIT	1
SCD100554	KRQ - SQUARE FLANGE KIT + FLEXIBLE HOSE 100 HOSE PROTECTION - INNER DIAMETER 80mm + EXTERNAL UNIT CONNECTION FITTING IN RUBBER, DIAMETER 80mm WHITE	KIT	1
SCD100555	KRQ - SQUARE FLANGE KIT + FLEXIBLE HOSE 100 HOSE PROTECTION - INNER DIAMETER 80mm + EXTERNAL UNIT CONNECTION FITTING IN RUBBER, DIAMETER 80mm BLACK	KIT	1
SCD100556	KRQ - SQUARE FLANGE KIT + FLEXIBLE HOSE 100 HOSE PROTECTION - INNER DIAMETER 80mm + EXTERNAL UNIT CONNECTION FITTING IN RUBBER, DIAMETER 80mm GREY	KIT	1

# REQ

MADE IN ITALY

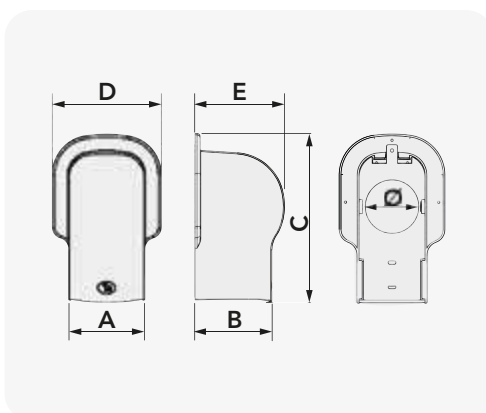


**NEW**

SQUARE FLANGE FOR FLEXIBLE HOSE Ø 60/80 MM

ROSACE ESTHÉTIQUE CARRÉE POUR TUBE FLEXIBLE Ø INTERNE 60/80 MM

QUADRATISCHE DESIGN-ROSETTE FÜR SCHLAUCH, Ø INNEN 60/80 MM



CODE	DIMENSIONS [mm]					
	A	B	C	D	E	Ø
SCD100572	78	78	190	118	95	60
SCD100573	78	78	190	118	95	60
SCD100574	78	78	190	118	95	60
SCD100578	102	100	222	146	116	80
SCD100579	102	100	222	146	116	80
SCD100580	102	100	222	146	116	80

**With screws included**



**Datasheet**

Available from April 2025

CODE	DESCRIPTION	U.M.	Pieces per box
SCD100572	REQ - SQUARE FLANGE FOR FLEXIBLE HOSE 70 HOSE PROTECTION - INNER DIAMETER 60 mm - WHITE	PCS	1
SCD100573	REQ - SQUARE FLANGE FOR FLEXIBLE HOSE 70 HOSE PROTECTION - INNER DIAMETER 60 mm BLACK	PCS	1
SCD100574	REQ - SQUARE FLANGE FOR FLEXIBLE HOSE 70 HOSE PROTECTION - INNER DIAMETER 60 mm GREY	PCS	1
SCD100578	REQ - SQUARE FLANGE FOR FLEXIBLE HOSE 100 HOSE PROTECTION - INNER DIAMETER 80 mm - WHITE	PCS	1
SCD100579	REQ - SQUARE FLANGE FOR FLEXIBLE HOSE 100 HOSE PROTECTION - INNER DIAMETER 80 mm BLACK	PCS	1
SCD100580	REQ - SQUARE FLANGE FOR FLEXIBLE HOSE 100 HOSE PROTECTION - INNER DIAMETER 80 mm GREY	PCS	1

# RCG

MADE IN ITALY

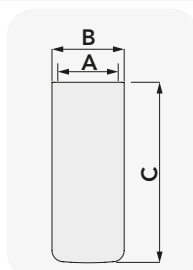


**NEW**

CONNECTION FITTING FOR OUTDOOR UNIT IN ANTI-UV RUBBER Ø 60/80 MM

RACCORD DE RACCORDEMENT UNITÉ EXTERNE EN CAOUTCHOUC ANTI-UV DE Ø 60/80 MM

ANSCHLUSS FÜR AUSSENGERÄT AUS UV-BESTÄNDIGEM GUMMI Ø 60/80 MM



Available from April 2025

**Datasheet**

CODE	DESCRIPTION	DIMENSIONS [mm]			U.M.	Pieces per box
		A Ø INTERNO	B Ø ESTERNO	C		
SCD100602	RCG - CONNECTION FITTING 70 EXTERNAL RUBBER UNIT - INNER DIAMETER 60 mm - WHITE	60	64	160	PCS	1
SCD100603	RCG - CONNECTION FITTING 70 EXTERNAL RUBBER UNIT - INNER DIAMETER 60 mm BLACK	60	64	160	PCS	1
SCD100604	RCG - CONNECTION FITTING 70 EXTERNAL RUBBER UNIT - INNER DIAMETER 60 mm GREY	60	64	160	PCS	1
SCD100605	RCG - CONNECTION FITTING 100 EXTERNAL RUBBER UNIT - INNER DIAMETER 80 mm - WHITE	80	84	160	PCS	1
SCD100606	RCG - CONNECTION FITTING 100 EXTERNAL RUBBER UNIT - INNER DIAMETER 80 mm BLACK	80	84	160	PCS	1
SCD100607	RCG - CONNECTION FITTING 100 EXTERNAL RUBBER UNIT - INNER DIAMETER 80 mm GREY	80	84	160	PCS	1

## 🇬🇧 FLEXIBLE HOSE PROTECTION

### TECHNICAL SPECIFICATIONS

- Flexible hose in anti UV PP inner Ø60 or Ø80
- Available colours: white - grey - black
- Length 10m

## 🇫🇷 TUBE FLEXIBLE DE PROTECTION DES TUBES

### CARACTÉRISTIQUES TECHNIQUES

- Tube flexible en PP anti-UV Ø60 ou Ø80 interne
- Disponible dans les couleurs : blanc, noir, gris
- Longueur 10 m

## 🇩🇪 SCHLAUCH SCHLAUCH-SCHUTZ

### TECHNISCHE EIGENSCHAFTEN

- Schlauch aus UV-beständigem PP Ø60 oder Ø80 innen
- Erhältlich in den Farben: Weiß: Schwarz, Grau
- Länge 10 m



Available from April 2025

Datasheet



CODE	DESCRIPTION	Ø PIPE	U.M.	Pieces per box
SCD100596	TFPT - FLEXIBLE HOSE 70 HOSE PROTECTION - INNER DIAMETER 60 mm - 10 meters - WHITE	60	PCS	1
SCD100597	TFPT - FLEXIBLE HOSE 70 HOSE PROTECTION - INNER DIAMETER 60 mm - 10 meters BLACK	60	PCS	1
SCD100598	TFPT - FLEXIBLE HOSE 70 HOSE PROTECTION - INNER DIAMETER 60 mm - 10 GREY	60	PCS	1
SCD100599	TFPT - FLEXIBLE HOSE 100 HOSE PROTECTION - INNER DIAMETER 80 mm - 10 meters - WHITE	60	PCS	1
SCD100600	TFPT - FLEXIBLE HOSE 100 HOSE PROTECTION - INNER DIAMETER 80 mm - 10 meters BLACK	60	PCS	1
SCD100601	TFPT - FLEXIBLE HOSE 100 HOSE PROTECTION - INNER DIAMETER 80 mm - 10 GREY	60	PCS	1

# RFE

MADE IN ITALY

## 🇬🇧 UNIVERSAL FINISH FLANGE

### TECHNICAL SPECIFICATIONS

- High finish for holes from Ø 62 to Ø 100 mm
- Rear springs supplied

## 🇫🇷 BRIDE DE FINITION UNIVERSELLE

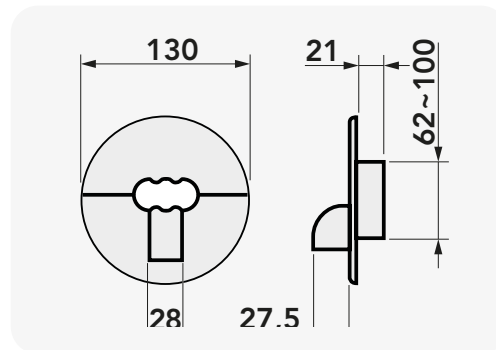
### CARACTÉRISTIQUES TECHNIQUES

- Finition haute pour les trous de Ø 62 à Ø 100 mm
- Ressorts arrière fournis

## 🇩🇪 UNIVERSELLE VEREDELUNGSFLANSCH

### TECHNISCHE EIGENSCHAFTEN

- Hochwertige Verarbeitung für Bohrungen von Ø 62 bis Ø 100 mm
- Hintere Federn im Lieferumfang enthalten



Datasheet



CODE	DESCRIPTION	U.M.	Pieces per box
N11122000	RFE "UNIVERSAL FINISH FLANGE WHITE COLOUR" (PACK 5 PCS)	PCS	5

## UNIVERSAL TEAR-PROOF FLANGE

### TECHNICAL SPECIFICATIONS

- For holes from Ø 62 to Ø 74 mm
- Rear springs supplied

## BRIDE ANTI-DÉCHIRURE UNIVERSELLE

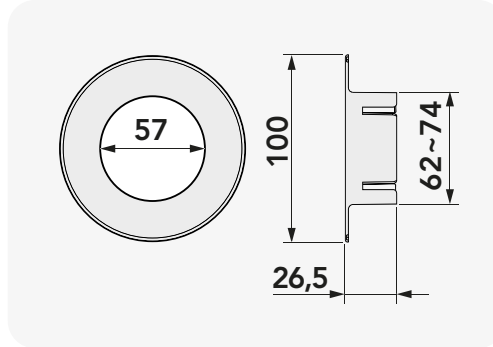
### CARACTÉRISTIQUES TECHNIQUES

- Pour trous de Ø 62 à Ø 74 mm
- Ressorts arrière fournis

## UNIVERSAL REISSFESTE FLANSCH

### TECHNISCHE EIGENSCHAFTEN

- Für Bohrungen von Ø 62 bis Ø 74 mm
- Hintere Federn im Lieferumfang enthalten



Datasheet



CODE	DESCRIPTION	U.M.	Pieces per box
N1122001	UNIVERSAL TEAR-PROOF FLANGE	PCS	5

## DUCT FIXING

## FIXATION POUR GOULOTTE

## KANALBEFESTIGUNG



MADE IN ITALY

Datasheet



CODE	DESCRIPTION	U.M.	Pieces per box
11125015	DUCT FIXING (10 PCS PACK)	PCS	10

MADE IN ITALY

NEW

## TEAR-PROOF KIT

### TECHNICAL SPECIFICATIONS

- Stiff, shockproof, anti-UVA and recyclable PVC
- Kit consisting of: 1 RA locking rosette and 1 pipe feedthrough
- Heat shrink barcode packaging

## KIT ANTI-DÉCHIRURE KA

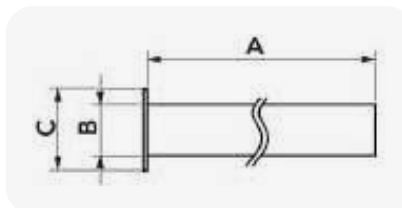
### CARACTÉRISTIQUES TECHNIQUES

- PVC rigide résistant aux chocs, anti-UVA et recyclable
- Kit composé de: n° 1 rosace anti-déchirure RA et n° 1 tuyau de passage de tubes
- Emballage avec codes à barres thermorétractables

## REISSFESTER BAUSATZ

### TECHNISCHE EIGENSCHAFTEN

- Starres und stoßfestes aus PVC, UVA-Strahlen-beständig und recycled.
- Kit bestehend aus: 1 RA Risschutzrossette und 1 Rohrdurchgang
- Rohrdurchgang Barcode-Schrumpfpackung



CODE	DESCRIPTION	COLOUR	DIMENSIONS [mm]			U.M.	Pieces per box
			A	B	C		
SCD100260	TEAR-PROOF KIT - IVORY L.500 MM	IVORY	500	62	100	KIT	1
SCD100261	TEAR-PROOF KIT - WHITE L.500 MM	WHITE	500	62	100	KIT	1
SCD100262	TEAR-PROOF KIT - WHITE L.1000 MM	WHITE	1000	62	100	KIT	1
SCD100263	TEAR-PROOF KIT - IVORY L.1000 MM	IVORY	1000	62	100	KIT	1

Datasheet



**UNIVERSAL TEAR-PROOF KIT PLUS FINISHING SURROUND**

**TECHNICAL SPECIFICATIONS**

- Stiff, shockproof, anti-UVA and recyclable PVC
- Kit consisting of: 1 wall sleeve kit and 1 RFE exterior finish rosette
- Heat shrink barcode packaging

**KIT UNIVERSEL ANTI-DÉCHIRURE PLUS ROSACE DE FINITION**

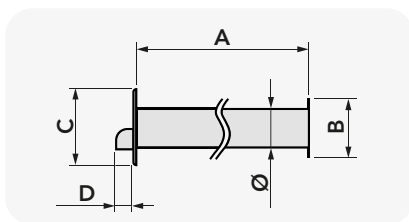
**CARACTÉRISTIQUES TECHNIQUES**

- PVC rigide résistant aux chocs, anti-UVA et recyclable
- Kit composé de: 1 kit anti-déchirure KA et 1 rosace de finition externe RFE
- Emballage avec codes à barres thermorétractables

**UNIBERSELLER REISSFESTER BAUSATZ PLUS VEREDELUNGSGROSETTE**

**TECHNISCHE EIGENSCHAFTEN**

- Starres und stoßfestes aus PVC, UVA-Strahlen-beständig und recycled.
- Kit bestehend aus: 1 KA Risssschutz-Kit und 1 RFE-Außenveredelungsrosette
- Rohrdurchgang Barcode-Schrumpfpackung



CODE	DESCRIPTION	DIMENSIONS [mm]					U.M.	Pieces per box
		A	B	C	D	Ø		
SCD100126	UNIVERSAL TEAR-PROOF KIT PLUS FINISHING SURROUND - WHITE L. 500	500	100	130	27,5	62	KIT	1
<b>NEW</b> SCD100264	UNIVERSAL TEAR-PROOF KIT PLUS FINISHING SURROUND - WHITE L. 1000	1000	100	130	27,5	62	KIT	1

**CABLE TIE FOR FIXING PIPES IN DUCT**

**COLLIER POUR FIXER LES TUYAUX DANS GOULOTTE**

**KABEL- ODER ROHRVERBINDER IM KANAL**



CODE	DESCRIPTION	U.M.	Pieces per box
11125010	X T - 60	PCS	10
11125000	X T - 72 / T - 100	PCS	10

**UNIVERSAL DUCT CUTTING PLIERS - EXCELLENS**

**PINCE UNIVERSELLE DÉCOUPE GOULOTTE - EXCELLENS**

**UNIVERSAL-KABELKANAL-ZANGE - EXCELLENS**



CODE	DESCRIPTION	U.M.	Pieces per box
SCC100003	UNIVERSAL DUCT CUTTER	PCS	1





## WHY INSTALL PROFESSIONAL TRUNKINGS AND ACCESSORIES?

### NEW INNOVATIVE MATERIAL FOR AN EXTRAORDINARY RESULT

The Optima trunking series, available in 5 sizes (35, 62, 75, 102, 135), is the most refined and functional one on the market today.

The Optima TB model, equipped with a four-way spirit level, further emphasises the qualities of a product that was created with the common goal of the entire range: to offer quick, simple and concrete solutions to installation problems, while at the same time giving a pleasant aesthetic result which harmonises with current design trends.

The Optima Full Cover trunkings have a completely enveloping cover that closes flush with the wall. A practical protective film is applied to the cover to be removed when the work is completed. The removable film is used to protect the trunking during the installation phase. Once the operation is completed, it will be removed ensuring cleanliness of the duct itself.



Patented model



Reach certifications



Eco-friendly material



Paintable models



Shockproof



Anti UV rays



High resistance



Operating temperature  
-20°C/+75°C



# Optima

Always a perfect solution



MADE IN ITALY

ACCESSORY WITH SNAP-TO-GETHER BASE AND COVER

TRUNKING WITH CLIP-TO-GETHER CENTRAL LOCKING

FOCUS ON DESIGNING HIGHLY FUNCTIONAL DETAILS

RAW MATERIAL: SHOCK AND UV - RESISTANT RIGID PLASTIC MATERIAL

BASE WITH PRE-PUNCHED SLOTS FOR WALL MOUNTING

PAINTABLE

ROUNDED BASE AND COVER

Smart Klima



## PVC Cleaner

Ideal for cleaning trunking and accessories.

For codes see page 255

## DUCT WITH LEVEL

### TECHNICAL SPECIFICATIONS

- Stiff, shockproof, anti-UVA plastic material, white, recyclable
- Sharp-edged bottom
- Pre-punched slots for wall mounting
- Four-way sliding spirit level supplied on each 2m bar
- Prepared for insertion of the mini pumps Easy Flow, Easy One, Aqua Split (only model TB 75-OPT)
- Central closure with patented accidental anti-release
- Rounded cover
- Bar length 2 m
- Paintable
- Operating temperature -20°C / +75°C

## GOULOTTE AVEC BULLE

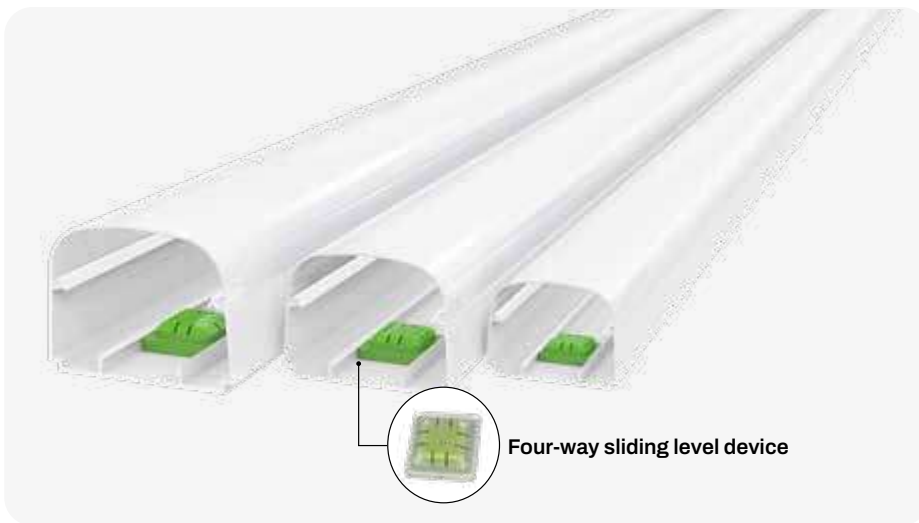
### CARACTÉRISTIQUES TECHNIQUES

- Matériau plastique rigide résistant aux chocs, anti-UVA et recyclable
- Fond à bords vifs
- Équipé de fentes pour le montage mural
- Bulle coulissante à quatre voies fournie sur chaque barre de 2 m
- Prédisposée pour l'insertion des mini pompes Easy Flow, Easy One, Aqua Split (modèle TB 75-OPT uniquement)
- Fermeture centrale avec brevet anti-déblocage accidentel
- Couverture arrondi
- Longueur de la barre 2 m
- Peut être peint
- Température de fonctionnement -20°C / +75°C

## KANAL MIT LIBELLE

### TECHNISCHE EIGENSCHAFTEN

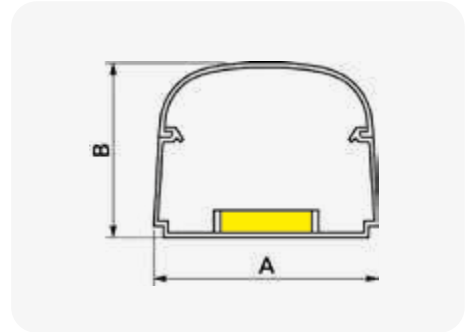
- Starres und stoßfestes aus Kunststoffmaterial, UVA-Strahlenbeständig und recycled
- kantenförmiger Boden
- Vorgeöst für die Wandmontage
- Vier-Wege-Schiebe-Libelle auf jeder 2 m Stange, im Lieferumfang enthalten
- Vorbereitet für das Einsetzen von Easy Flow, Easy One, Aqua Split Minipumpen (nur Modell TB 75-OPT)
- Zentralverriegelung mit patentiertem Schutz gegen versehentliches Aushaken
- Abgerundete Abdeckung
- Stablänge 2 m
- Lackierbar
- Betriebstemperatur -20°C / +75°C



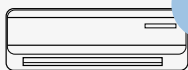
Four-way sliding level device



WHITE

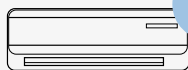


## Applications



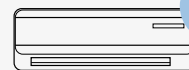
x1

**TRUNKING TB 62 - OTP**  
Suitable for mono split installation



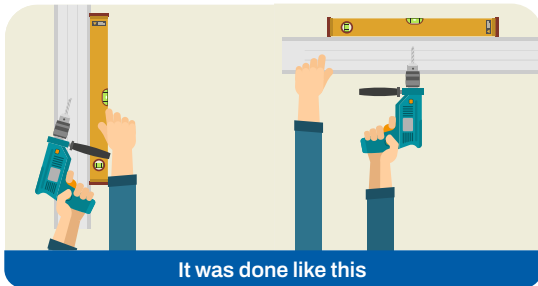
x2

**TRUNKING TB 75 - OTP**  
Suitable for mono split or dual split installation



x4

**TRUNKING TB 102 - OTP**  
Suitable for maximum 4 splits installation



It was done like this



Now we do in this way

Datasheet



MODEL	CODE	MIN. QUANTITY	DIMENSIONS		U.M.	Pieces per box	U.M. Box	U.M. Pallet
			A [mm]	B [mm]				
TB 62 - OPT	B-11130062	14 PCS. = 28 m	62	46	PCS	14	14	392
TB 75 - OPT	B-11130075	10 PCS. = 20 m	74	56	PCS	10	10	280
TB 102 - OPT	B-11130100	7 PCS. = 14 m	100	66	PCS	7	7	196

## STANDARD DUCT

### TECHNICAL SPECIFICATIONS

- Stiff, shockproof, anti-UVA plastic material, white, recyclable
- Sharp-edged bottom
- Pre-punched slots for wall mounting
- Prepared for insertion of the mini pumps Easy Flow, Easy One, Aqua Split (only model T 75-OPT)
- Central closure with patented accidental anti-release
- Rounded cover
- Bar length 2 m
- Paintable
- Operating temperature -20°C / +75°C

## GOULOTTE STANDARD

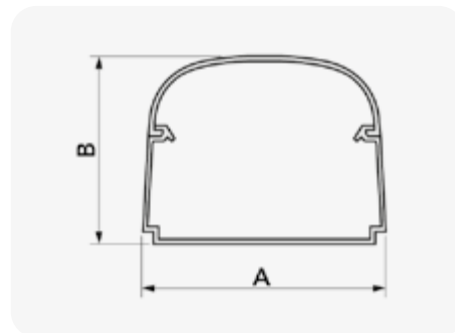
### CARACTÉRISTIQUES TECHNIQUES

- Matériau plastique rigide résistant aux chocs, anti-UVA et recyclable
- Fond à bords vifs
- Équipé de fentes pour le montage mural
- Prédiseignée pour l'insertion des mini pompes Easy Flow, Easy One, Aqua Split (modèle T 75-OPT uniquement)
- Fermeture centrale avec brevet anti-déblocage accidentel
- Couvercle arrondi
- Longueur de la barre 2 m
- Peut être peint
- Température de fonctionnement -20°C / +75°C

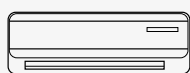
## STANDARDKANAL

### TECHNISCHE EIGENSCHAFTEN

- Starres und stoßfestes aus Kunststoffmaterial, UVA-Strahlenbeständig und recycled
- kantenförmiger Boden
- Vorgeöst für die Wandmontage
- Vorbereitet für das Einsetzen von Easy Flow, Easy One, Aqua Split Minipumpen (nur Modell T 75-OPT)
- Zentralverriegelung mit patentiertem Schutz gegen versehentliches Aushaken
- Abgerundete Abdeckung
- Stablänge 2 m
- Lackierbar
- Betriebstemperatur -20°C / +75°C

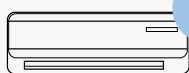


## Applications



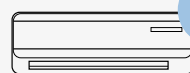
### TRUNKING T35 - OPT-FC

Suitable for condensate drain pipe and electrical cables



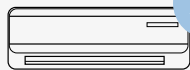
### TRUNKING T62 - OPT-FC

Suitable for mono split installation



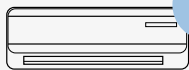
### TRUNKING T75 - OPT-FC

Suitable for mono split or dual split installation



### TRUNKING T102 - OPT-FC

Suitable for maximum 3 splits installation



### TRUNKING T135 - OPT-FC

Suitable for maximum 4 splits installation

Datasheet



MODEL	MIN. QUANTITY	NEW			DIMENSIONS [mm]		U.M.	Pieces per box	U.M. Box	U.M. Pallet
		WHITE CODE	GREY CODE	BLACK CODE	A	B				
T 35 - OPT	40 PCS. = 80 m	SCD100136	-	-	32	28	PCS	40	40	1120
T 62 - OPT	18 PCS. = 36 m	11130062	-	-	62	46	PCS	18	18	504
T 75 - OPT	14 PCS. = 28 m	11130075	SCD100620	SCD100610	74	56	PCS	14	14	392
T 102 - OPT	8 PCS. = 16 m	11130100	SCD100621	SCD100611	100	66	PCS	8	8	224
T 135 - OPT	4 PCS. = 8 m	SCD100123	SCD100622	SCD100612	135	82	PCS	4	4	-

# OPTIMA TP FULL COVER

MADE IN ITALY



## DUCT WITH PROTECTIVE FILM

### TECHNICAL SPECIFICATIONS

- Stiff, shockproof, anti-UVA plastic material, white, recyclable
- Sharp-edged bottom
- Pre-punched slots for wall mounting
- Prepared for insertion of the mini pumps Easy Flow, Easy One, Aqua Split (only model TP 75-OPT-FC)
- Wall-mounted flush closure
- Rounded cover
- Cover with transparent blue protective film in low density polyethylene
- Bar length 2 m
- Paintable
- Operating temperature -20°C / +75°C

## CONDUIT AVEC FILM DE PROTECTION OPTIMA TP FULL COVER

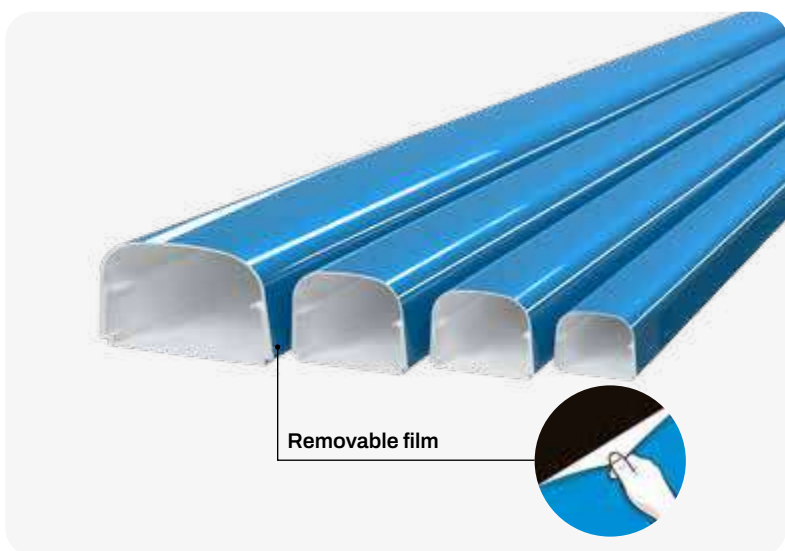
### CARACTÉRISTIQUES TECHNIQUES

- Matériau plastique rigide résistant aux chocs, anti-UVA et recyclable
- Fond à bords vifs
- Équipé de fentes pour le montage mural
- Prédisposée pour l'insertion des mini pompes Easy Flow, Easy One, Aqua Split (modèle TP 75-OPT-FC uniquement)
- Fermeture au ras du mur
- Couvercle arrondi
- Couvercle avec film protecteur en polyéthylène basse densité bleu transparent
- Longueur de la barre 2 m
- Peut être peint
- Température de fonctionnement -20°C / +75°C

## KANAL MIT SCHUTZFOLIE

### TECHNISCHE EIGENSCHAFTEN

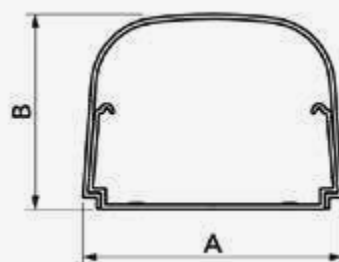
- Starres und stoßfestes aus Kunststoffmaterial, UVA-Strahlenbeständig und recycled
- kantenförmiger Boden
- Vorgeöst für die Wandmontage
- Vorbereitet für das Einsetzen von Easy Flow, Easy One, Aqua Split Minipumpen (nur Modell TP 75-OPT-FC)
- Mit Wand bündiger Verschluss
- Abgerundete Abdeckung
- Abdeckung mit transparenter blauer Schutzfolie aus Polyethylen, mit niedriger Dichte
- Stablänge 2 m
- Lackierbar
- Betriebstemperatur -20°C / +75°C



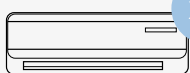
Removable film

Cover with transparent blue protective film in low density polyethylene

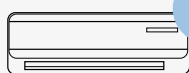
WHITE



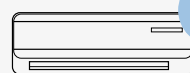
## Applications



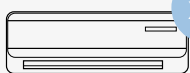
**TRUNKING TP62 - OPT-FC**  
Suitable for mono split installation



**TRUNKING TP75 - OPT-FC**  
Suitable for mono split or dual split installation



**TRUNKING TP102 - OPT-FC**  
Suitable for maximum 3 splits installation



**TRUNKING TP135 - OPT-FC**  
Suitable for maximum 4 splits installation



Datasheet



MODEL	CODE	MIN. QUANTITY	DIMENSIONS		U.M.	Pieces per box	U.M. Box	U.M. Pallet
			A [mm]	B [mm]				
TP 62 - OPT-FC	SCD100105	12 PCS. = 24 m	62	46	PCS	12	12	288
TP 75 - OPT-FC	SCD100106	8 PCS. = 16 m	74	56	PCS	8	8	192
TP 102 - OPT-FC	SCD100107	6 PCS. = 12 m	100	66	PCS	6	6	144
TP 135 - OPT-FC	SCD100125	4 PCS. = 8 m	135	82	PCS	4	4	-



# OPTIMA T FULL COVER

MADE IN ITALY



DUCT

## TECHNICAL SPECIFICATIONS

- Stiff, shockproof, anti-UVA plastic material, white, recyclable
- Sharp-edged bottom
- Pre-punched slots for wall mounting
- Prepared for insertion of the mini pumps Easy Flow, Easy One, Aqua Split (only model T 75-OPT-FC)
- Wall flush closure
- Rounded cover
- Bar length 2 m
- Paintable
- Operating temperature -20°C / +75°C



CONDUIT OPTIMA T FULL COVER

## CARACTÉRISTIQUES TECHNIQUES

- Matériau plastique rigide résistant aux chocs, anti-UVA et recyclable
- Fond à bords vifs
- Équipé de fentes pour le montage mural
- Prédisposée pour l'insertion des mini pompes Easy Flow, Easy One, Aqua Split (modèle T 75-OPT-FC uniquement)
- Fermeture au ras du mur
- Couvercle arrondi
- Longueur de la barre 2 m
- Peut être peint
- Température de fonctionnement -20°C / +75°C



KANAL

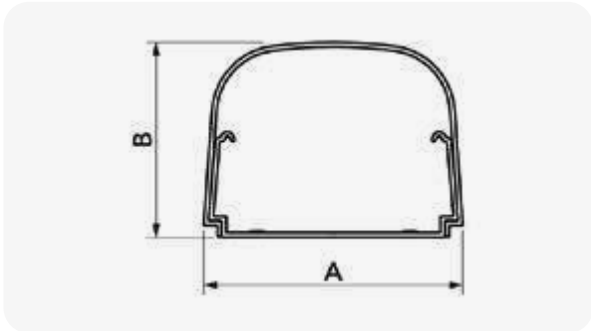
## TECHNISCHE EIGENSCHAFTEN

- Starres und stoßfestes aus Kunststoffmaterial, UVA-Strahlenbeständig und recycled
- kantenförmiger Boden
- Vorgeöst für die Wandmontage
- Vorbereitet für das Einsetzen von Easy Flow, Easy One, Aqua Split Minipumpen (nur Modell T 75-OPT-FC)
- Mit Wand bündiger Verschluss
- Abgerundete Abdeckung
- Stablänge 2 m
- Lackierbar
- Betriebstemperatur -20°C / +75°C



Wall-flush closing

WHITE



## Applications

x1

**TRUNKING TP62 - OPT-FC**  
Suitable for mono split installation

x2

**TRUNKING TP75 - OPT-FC**  
Suitable for mono split or dual split installation

x3

**TRUNKING TP102 - OPT-FC**  
Suitable for maximum 3 splits installation

x4

**TRUNKING TP135 - OPT-FC**  
Suitable for maximum 4 splits installation



Datasheet



MODEL	CODE	MIN. QUANTITY	DIMENSIONS		U.M.	Pieces per box	U.M. Box	U.M. Pallet
			A [mm]	B [mm]				
T 62 - OPT-FC	SCD100102	12 PCS. = 24 m	62	46	PCS	12	12	288
T 75 - OPT-FC	SCD100103	8 PCS. = 16 m	74	56	PCS	8	8	192
T 102 - OPT-FC	SCD100104	6 PCS. = 12 m	100	66	PCS	6	6	144
T 135 - OPT-FC	SCD100124	4 PCS. = 8 m	135	82	PCS	4	4	-



## GENERAL TECHNICAL CHARACTERISTICS FOR ACCESSORIES OF THE OPTIMA LINE



- Recyclable, white, shockproof and anti-UVA eco-PVC
- Innovative design
- Ultra-fast interlocking fastening system
- Large outer flange
- Hole covers
- Extremely high outer finish
- Heat shrink barcode packaging
- Paintable product
- Operating temperature -20 °C / +75 °C

## NEW INNOVATIVE MATERIAL FOR AN EXTRAORDINARY RESULT

- |  |                       |  |                 |
|--|-----------------------|--|-----------------|
|  | Patented model        |  | Anti UV rays    |
|  | Reach certifications  |  | High resistance |
|  | Eco-friendly material |  | Shockproof      |



# OPTIMA TMR

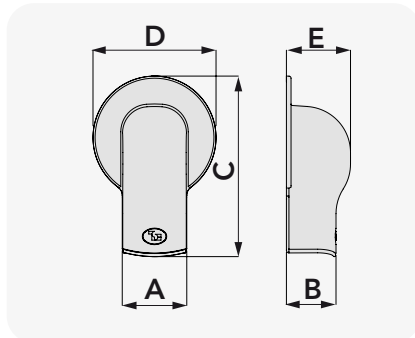
MADE IN ITALY

NEW

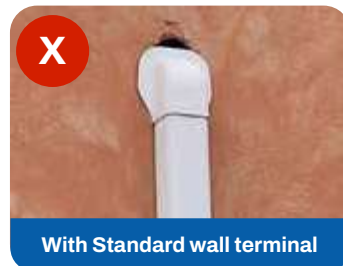
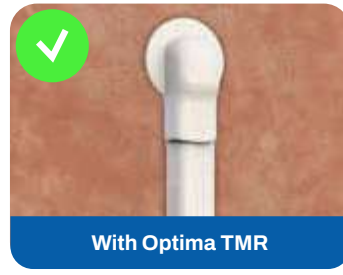
 FLANGED ROUND WALL TERMINAL

 EXTRÉMITÉ MURALE À BRIDE RONDE

 WANDABSCHLUSSPROFIL MIT RUNDEM FLANSCH




 WHITE  BLACK  GREY



White model available from February 2025

Grey and Black model available from March 2025

Large external flange with an innovative round shape

MODEL	WHITE	GREY	BLACK	DIMENSIONS [mm]					U.M.	 Pieces per box
	CODE	CODE	CODE	A	B	C	D	E		
TMR 62 - OPT	SCD100244	-	-	63	48	176	120	62	PCS	5
TMR 75 - OPT	SCD100245	SCD100253	SCD100266	77	58	207	140	75	PCS	5
TMR 102 - OPT	SCD100246	SCD100254	SCD100267	100	67	237	170	85	PCS	3
TMR 135 - OPT	SCD100247	SCD100255	SCD100268	135	84	277	212	100	PCS	3

Datasheet



# OPTIMA TMQ

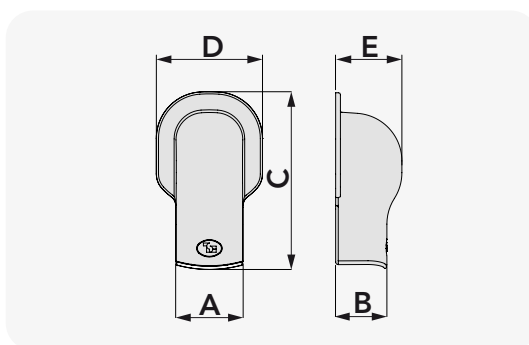
MADE IN ITALY

NEW

 FLANGED SQUARE WALL TERMINAL

 EXTRÉMITÉ MURALE À BRIDE CARRÉE

 WANDABSCHLUSSPROFIL MIT QUADRATISCHEM FLANSCH



 WHITE  BLACK  GREY

White model available from February 2025

Grey and Black model available from March 2025

MODEL	WHITE	GREY	BLACK	DIMENSIONS [mm]					U.M.	 Pieces per box
	CODE	CODE	CODE	A	B	C	D	E		
TMQ 62 - OPT	SCD100248	-	-	63	46	166	99	63	PCS	5
TMQ 75 - OPT	SCD100249	SCD100257	SCD100270	77	58	193	113	75	PCS	5
TMQ 102 - OPT	SCD100250	SCD100258	SCD100271	100	69	222	140	85	PCS	3
TMQ 135 - OPT	SCD100251	SCD100259	SCD100272	135	84	262	181	100	PCS	3

Datasheet



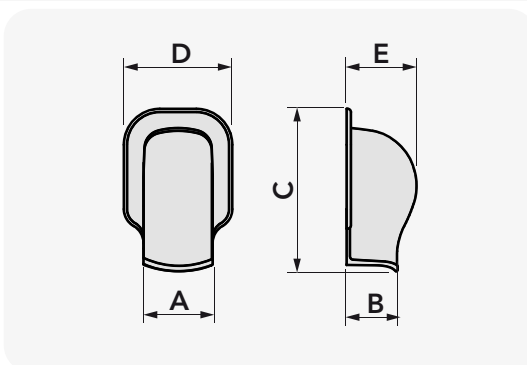
# OPTIMA TM

MADE IN ITALY

WALL-MOUNTED TERMINAL

BORNE MURALE

WANDABSCHLUSS



- WHITE
- GREY **NEW**
- BLACK **NEW**

MODEL	WHITE	GREY	BLACK	DIMENSIONS [mm]					U.M.	Pieces per box
	CODE	CODE	CODE	A	B	C	D	E		
TM 35 - OPT W	SCD100144	-	-	35	28	77	56	32	PCS	20
TM 62 - OPT W	11106001	-	-	66	48	155	95	60	PCS	5
TM 75 - OPT W	11106002	SCD100415	SCD100372	78	58	170	110	74	PCS	5
TM 102 - OPT W	11106003	SCD100417	SCD100373	104	68	200	135	85	PCS	3
TM 135 - OPT W	SCD100112	SCD100418	SCD100374	140	85	237	175	100	PCS	3

[Datasheet](#)

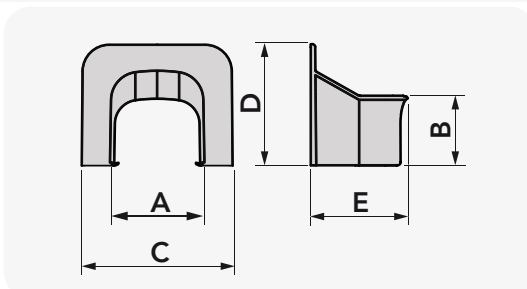
# OPTIMA TA

MADE IN ITALY

CORNER TERMINAL

BORNE EN ANGLE

WINKELABSCHLUSS



- WHITE
- GREY **NEW**
- BLACK **NEW**

MODEL	WHITE	GREY	BLACK	DIMENSIONS [mm]					U.M.	Pieces per box
	CODE	CODE	CODE	A	B	C	D	E		
TA 62 - OPT	11106004	-	-	66	48	106	85	72	PCS	5
TA 75 - OPT	11106005	SCD100412	SCD100375	78	58	126	100	86	PCS	5
TA 102 - OPT	11106006	SCD100413	SCD100376	104	69	145	117	100	PCS	3
TA 135 - OPT	SCD100113	SCD100414	SCD100377	140	84	180	140	100	PCS	3

[Datasheet](#)

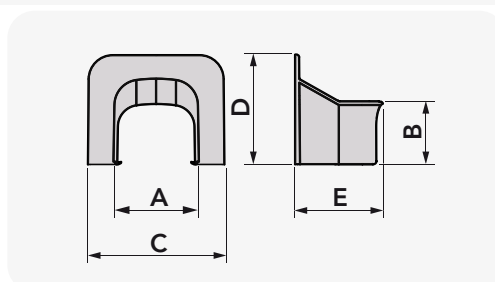
# OPTIMA RL

MADE IN ITALY

FLAT CURVE

COURBE PLATE

FLACHE KURVE



- WHITE

MODEL	CODE	DIMENSIONS [mm]						U.M.	Pieces per box
		A	B	C	D	E	F		
RLO 35 - OPT	SCD100142	35	28	52	37	-	42	PCS	20
RLE 35 - OPT	SCD100143	35	28	52	37	55	-	PCS	20

[Datasheet](#)

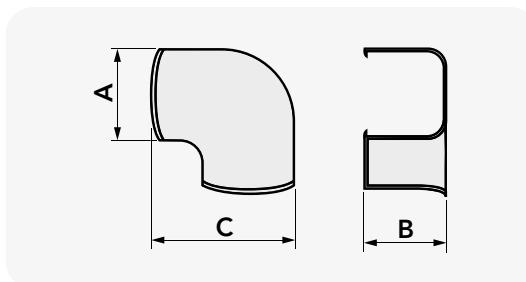
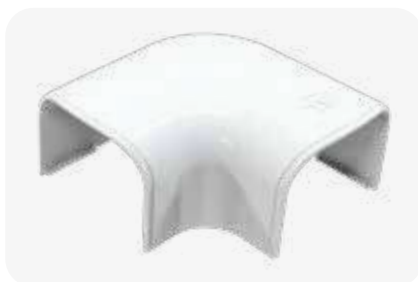
# OPTIMA CP

MADE IN ITALY

 FLAT CURVE

 COURBE PLATE

 FLACHE KURVE



-  WHITE
-  GREY **NEW**
-  BLACK **NEW**

MODEL	WHITE	GREY	BLACK	DIMENSIONS [mm]			U.M.	Pieces per box
	CODE	CODE	CODE	A	B	C		
CP 35 - OPT	SCD100137	-	-	35	28	65	PCS	20
CP 62 - OPT	11106007	-	-	66	48	108	PCS	5
CP 75 - OPT	11106008	SCD100419	SCD100378	78	58	120	PCS	5
CP 102 - OPT	11106009	SCD100421	SCD100379	104	68	154	PCS	3
CP 135 - OPT	SCD100114	SCD100422	SCD100380	140	84	203	PCS	3

[Datasheet](#)



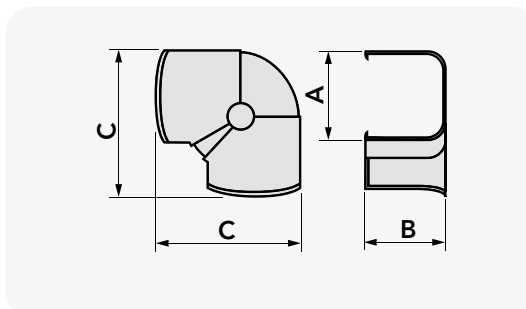
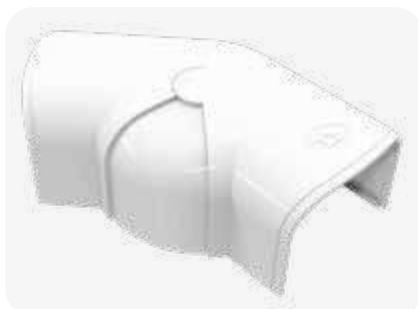
# OPTIMA CPS

MADE IN ITALY

 ARTICULATED FLAT CURVE

 COURBE PLATE ARTICULÉE

 GELENKIGE FLACHE KURVE



-  WHITE
-  GREY **NEW**
-  BLACK **NEW**

MODEL	WHITE	GREY	BLACK	DIMENSIONS [mm]			U.M.	Pieces per box
	CODE	CODE	CODE	A	B	C		
CPS 62 - OPT	11106010	-	-	66	48	185	PCS	1
CPS 75 - OPT	11106011	SCD100423	SCD100381	78	58	130	PCS	1

[Datasheet](#)



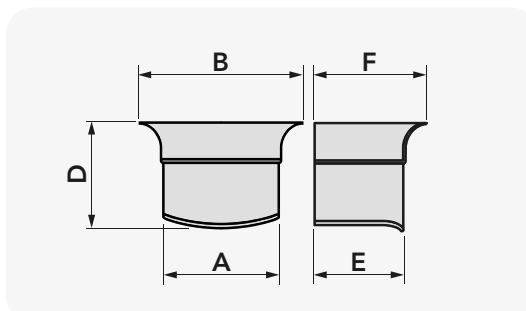
# OPTIMA MCS

MADE IN ITALY

 SPLIT CONNECTION SLEEVE

 MANCHON DE RACCORDEMENT SPLIT OPTIMA MCS

 SPLIT-VERBINDUNGSMUFFE



White soft PVC Sealig lip

-  WHITE
-  GREY **NEW**
-  BLACK **NEW**

MODEL	WHITE	GREY	BLACK	DIMENSIONS [mm]					U.M.	Pieces per box
	CODE	CODE	CODE	A	B	D	E	F		
MCS 62 - OPT	SCD100093	-	-	66	77,5	60	48	56	PCS	1
MCS 75 - OPT	SCD100094	SCD100430	SCD100388	78	90	66	58	65	PCS	1

[Datasheet](#)





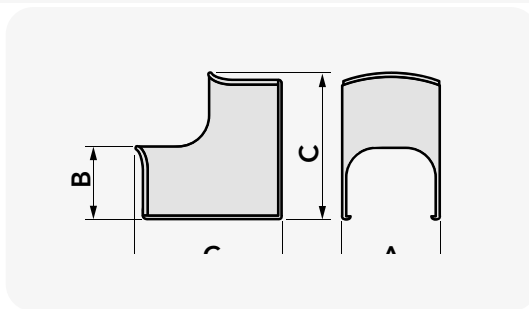
# OPTIMA CAI

MADE IN ITALY

INTERNAL CORNER CURVE

COURBE À ANGLE INTERNE

KURVE MIT INNENWINKEL



WHITE

GREY **NEW**

BLACK **NEW**

MODEL	WHITE	GREY	BLACK	DIMENSIONS [mm]			U.M.	Pieces per box
	CODE	CODE	CODE	A	B	C		
CAI 35 - OPT	SCD100138	-	-	35	28	62	PCS	20
CAI 62 - OPT	11106013	-	-	66	48	100	PCS	5
CAI 75 - OPT	11106014	SCD100424	SCD100382	78	58	115	PCS	5
CAI 102 - OPT	11106015	SCD100425	SCD100383	104	68	135	PCS	3
CAI 135 - OPT	SCD100115	SCD100426	SCD100384	140	84	155	PCS	3

[Datasheet](#)



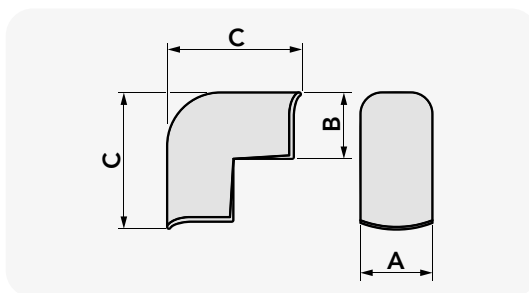
# OPTIMA CAE

MADE IN ITALY

EXTERNAL CORNER CURVE, WHITE

COURBE EN ANGLE EXTERNE WHITE

KURVE MIT AUSSENWINKEL WHITE



WHITE

GREY **NEW**

BLACK **NEW**

MODEL	WHITE	GREY	BLACK	DIMENSIONS [mm]			U.M.	Pieces per box
	CODE	CODE	CODE	A	B	C		
CAE 35 - OPT	SCD100139	-	-	35	28	52	PCS	20
CAE 62 - OPT	11106019	-	-	66	48	100	PCS	5
CAE 75 - OPT	11106020	SCD100427	SCD100385	78	58	115	PCS	5
CAE 102 - OPT	11106021	SCD100428	SCD100386	104	68	135	PCS	3
CAE 135 - OPT	SCD100116	SCD100429	SCD100387	140	84	155	PCS	3

[Datasheet](#)



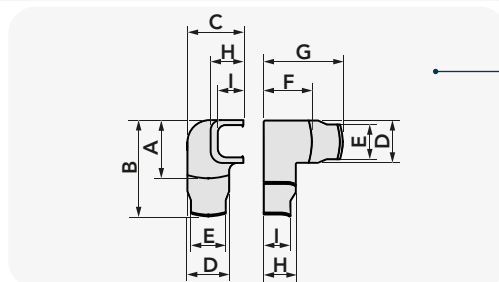
# OPTIMA MRD

MADE IN ITALY

RIGHT ROTATION SLEEVE

MANCHON DE ROTATION DROIT

RECHTSDREHENDE MUFFE



## FEATURES

- Mrd 62-opt composition: mrd 75-opt + nr. 2 - 62 ducts reductions
- Mrd 75-opt composition: 75 right rotation sleeve

WHITE

GREY **NEW**

BLACK **NEW**

MODEL	WHITE	GREY	BLACK	DIMENSIONS [mm]					U.M.	Pieces per box
	CODE	CODE	CODE	A	C	D	F	H		
MRD 62 - OTP	SCD100129	-	-	103	86	64	78	49	PCS	3
MRD 75 - OTP	SCD100096	SCD100431	SCD100391	119	102	78	87	58	PCS	3

[Datasheet](#)



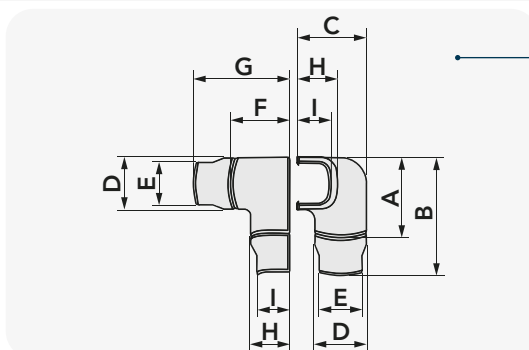
# OPTIMA MRS

MADE IN ITALY

LEFT ROTATION SLEEVE

COURBE À ANGLE INTERNE

LINKSDREHENDE MUFFE



## FEATURES

- Mrd 62-opt composition: mrd 75-opt + nr. 2 - 62 ducts reductions
- Mrd 75-opt composition: 75 right rotation sleeve

WHITE

GREY **NEW**

BLACK **NEW**

[Datasheet](#)



MODEL	WHITE	GREY	BLACK	DIMENSIONS [mm]					U.M.	Pieces per box
	CODE	CODE	CODE	A	C	D	F	H		
MRS 62 - OPT	SCD100130	-	-	103	86	64	78	49	PCS	3
MRS 75 - OPT	SCD100098	SCD100432	SCD100392	119	102	78	87	58	PCS	3

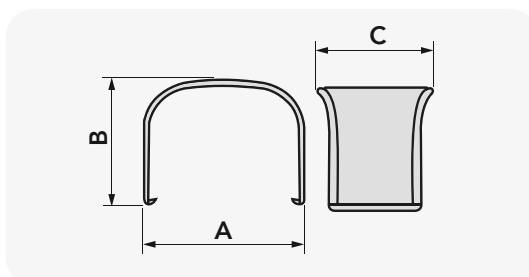
# OPTIMA MG

MADE IN ITALY

COUPLING SLEEVE

MANCHON DE RACCORDEMENT

VERBINDUNGS-MUFFE



WHITE

GREY **NEW**

BLACK **NEW**

[Datasheet](#)



MODEL	WHITE	GREY	BLACK	DIMENSIONS [mm]			U.M.	Pieces per box
	CODE	CODE	CODE	A	B	C		
MG 35 - OTP	SCD100140	-	-	35	28	23	PCS	20
MG 62 - OTP	11106028	-	-	66	48	50	PCS	5
MG 75 - OTP	11106029	SCD100433	SCD100389	78	58	55	PCS	5
MG 102 - OTP	11106027	SCD100435	SCD100390	104	68	70	PCS	3
MG 135 - OTP	SCD100117	SCD100436	SCD100403	140	84	75	PCS	3

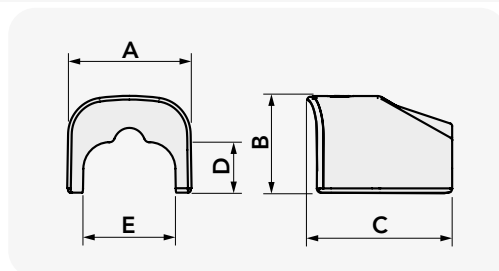
# OPTIMA TS

MADE IN ITALY

PIPE OUTPUT TERMINAL

MANCHON DE ROTATION DROIT

ABSCHLUSS FÜR ROHRAU-STRITT



WHITE

GREY **NEW**

BLACK **NEW**

[Datasheet](#)



MODEL	WHITE	GREY	BLACK	DIMENSIONS [mm]					U.M.	Pieces per box
	CODE	CODE	CODE	A	B	C	D	E		
TS 62 - OTP	11106035	-	-	66	48	76	30	50	PCS	5
TS 75 - OTP	11106036	SCD100440	SCD100393	78	58	90	30	56	PCS	5
TS 102 - OTP	11106037	SCD100441	SCD100394	104	68	110	40	72	PCS	5

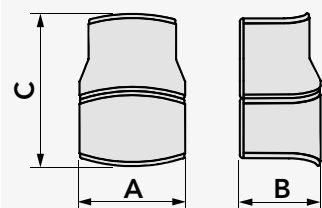
# OPTIMA RC

MADE IN ITALY

REDUCTION PER DUCT

RÉDUCTION POUR GOULOTTE

REDUZIERUNG FÜR KANAL



## FEATURES

- RC75/62 - OPT composition MG 75 - OPT and reduction for ducts of 75/62
- RC102/75 - OPT composition MG-102-OPT and reduction for ducts of 102/75
- RC135/102 - OPT composition MG-135-OPT and reduction for ducts of 135/102



MODEL	WHITE	GREY	BLACK	DIMENSIONS [mm]			U.M.	Pieces per box
	CODE	CODE	CODE	A	B	C		
RC 75/62 - OTP	11106034	-	-	78	58	110	PCS	1
RC 102/75 - OTP	11106044	SCD100445	SCD100398	104	68	140	PCS	1
RC 135/102 - OTP	SCD100119	SCD100446	SCD100399	140	84	160	PCS	1

[Datasheet](#)



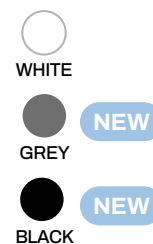
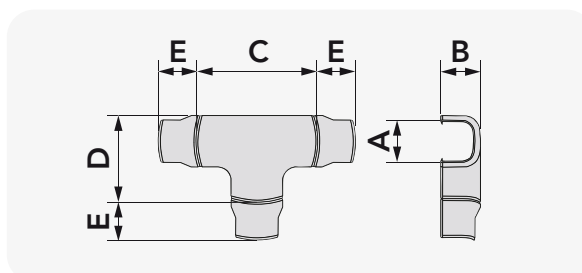
# OPTIMA DT

MADE IN ITALY

"T" SHUNT

DÉRIVATION EN "T"

„T“-ABZWEIGUNG



EXAMPLE  
DT 62 - OPT



EXAMPLE  
DT 75 - OPT



## FEATURES

- DT 62 - OPT composition DT 75 - OPT and 3 reduction for ducts of 62
- DT 75 - OPT composition "T" 75
- DT 102 - OPT composition "T" 102
- DT 135 - OPT composition "T" 135

MODEL	WHITE	GREY	BLACK	DIMENSIONS [mm]					U.M.	Pieces per box
	CODE	CODE	CODE	A	B	C	D	E		
DT 62 - OPT	11106031	-	-	66	48	180	130	60	PCS	5
DT 75 - OPT	11106032	SCD100437	SCD100395	78	58	180	130	--	PCS	5
DT 102 - OPT	11106033	SCD100438	SCD100396	104	68	210	160	--	PCS	3
DT 135 - OPT	SCD100118	SCD100439	SCD100397	140	84	270	205	--	PCS	3

[Datasheet](#)



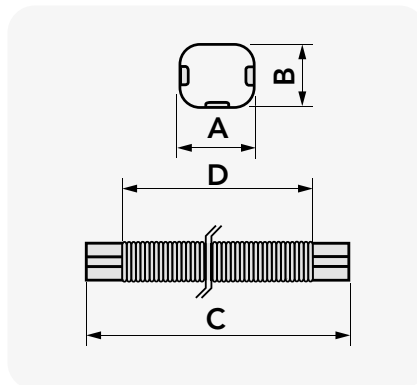
# OPTIMA MF




MADE IN ITALY

 FLEXIBLE SLEEVE

 MANCHON FLEXIBLE

 FLEXIBLE MUFFE



-  WHITE
-  GREY **NEW**
-  BLACK **NEW**

MODEL	WHITE	GREY	BLACK	DIMENSIONS [mm]				U.M.	Pieces per box
	CODE	CODE	CODE	A	B	C	D		
MF 62 - OPT	11106041	-	-	62	46	520	420	PCS	1
MF 75 - OPT	11106042	SCD100179	SCD100228	74	56	520	420	PCS	1
MF 102 - OPT	11106043	SCD100180	SCD100229	100	66	520	420	PCS	1

**Datasheet**

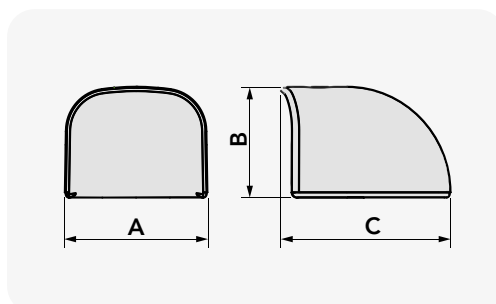
# OPTIMA TC




MADE IN ITALY

 CLOSING CAP

 BOUCHON DE FERMETURE

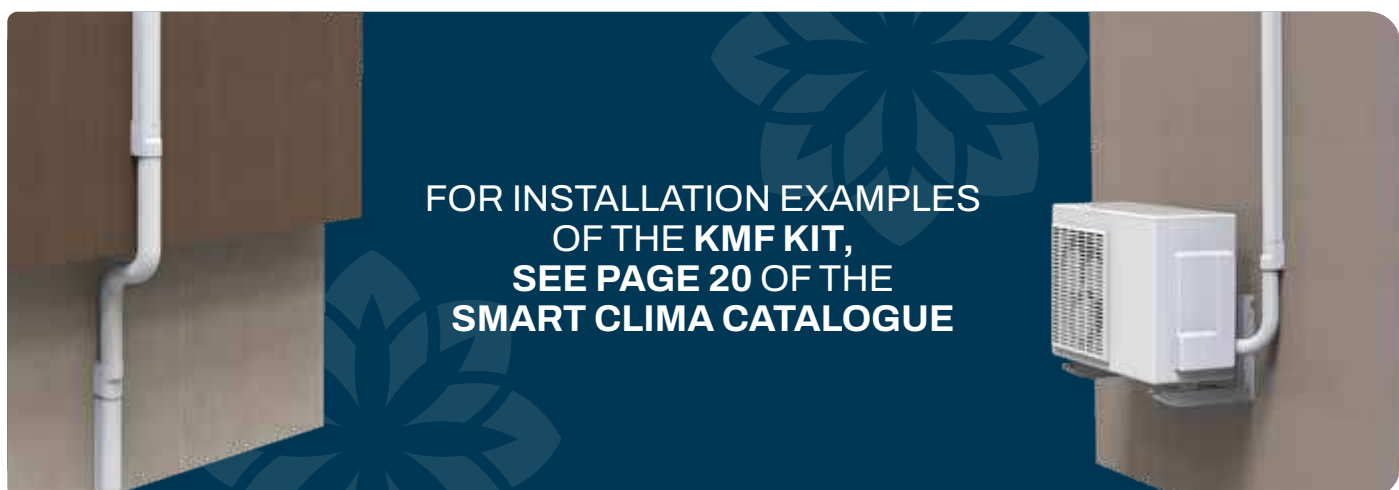
 VERSCHLUSSKAPPE



-  WHITE
-  GREY **NEW**
-  BLACK **NEW**

MODEL	WHITE	GREY	BLACK	DIMENSIONS [mm]			U.M.	Pieces per box
	CODE	CODE	CODE	A	B	C		
TC 35 - OPT	SCD100141	-	-	35	28	46	PCS	20
TC 62 - OPT	11106038	-	-	66	48	75	PCS	5
TC 102 - OPT	11106039	SCD100442	SCD100400	78	58	90	PCS	5
TC 35 - OPT	11106040	SCD100443	SCD100401	104	68	105	PCS	3
TC 135 - OPT	SCD100120	SCD100444	SCD100402	140	84	135	PCS	3

**Datasheet**



FOR INSTALLATION EXAMPLES  
OF THE KMF KIT,  
SEE PAGE 20 OF THE  
SMART CLIMA CATALOGUE

**UK** FLEXIBLE SLEEVE KIT - OPT

**TECHNICAL SPECIFICATIONS**

- Shockproof and UVA-resistant plastic
- Paintable

**KIT 70 CONSISTING OF:**

- 1 Flexible sleeve Model MGF 72
- 1 700 mm flexible hose - inner Ø 60 mm
- Available colours: white - grey - black

**KIT 100 CONSISTING OF:**

- 1 Flexible sleeve Model MGF 100
- 1 700 mm flexible hose - inner Ø 60 mm
- Available colours: white - grey - black

**FR** KIT MANCHON FLEXIBLE - OPT

**CARACTÉRISTIQUES TECHNIQUES**

- Matière plastique antichoc et anti-UVA
- Peut être peint

**KIT 70 COMPRENANT :**

- 1 manchon flexible modèle MGF 72
- 1 tube flexible de 700 mm - Ø60 mm interne
- Disponible dans les couleurs : blanc - gris - noir

**KIT 100 COMPRENANT :**

- 1 manchon flexible modèle MGF 100
- 1 tube flexible de 700 mm - Ø60 mm interne
- Disponible dans les couleurs : blanc - gris - noir

**DE** BAUSATZ FLEXIBLE MUFFE - OPT

**TECHNISCHE EIGENSCHAFTEN**

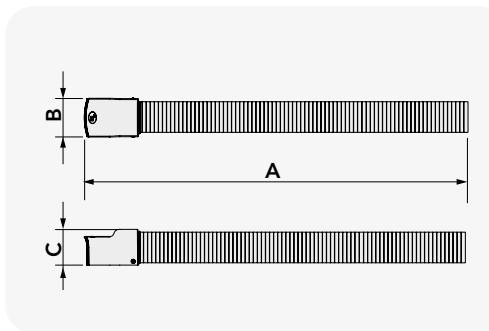
- Stoßfestes und UVA-beständiges Kunststoffmaterial
- Lackierbar

**BAUSATZ 70 BESTEHEND AUS:**

- 1 flexiblen Muffe, Modell MGF 72
- 1 Schlauch von 700 mm - Ø 60 mm innen
- Erhältlich in den Farben: Weiß - Grau - Schwarz

**BAUSATZ 100 BESTEHEND AUS:**

- 1 flexiblen Muffe, Modell MGF 100
- 1 Schlauch von 700 mm - Ø 60 mm innen
- Erhältlich in den Farben: Weiß - Grau - Schwarz



DIMENSIONS [mm]			
CODE	A	B	C
SCD100560	770	78	72
SCD100561	770	78	72
SCD100562	770	78	72
SCD100563	780	103	95
SCD100564	780	103	95
SCD100565	780	103	95

CODE	DESCRIPTION	U.M.	Pieces per box
SCD100560	KIT OPTIMA FLEXIBLE SLEEVE MGF 75-OPT WHITE + FLEX DIAMETER 60	KIT	1
SCD100561	KIT FLEXIBLE SLEEVE OPTIMA MGF 75-OPT BLACK + FLEX DIAMETER 60	KIT	1
SCD100562	KIT FLEXIBLE SLEEVE OPTIMA MGF 75-OPT GREY + FLEX DIAMETER 60	KIT	1
SCD100563	KIT OPTIMA FLEXIBLE SLEEVE MGF 102-OPT WHITE + FLEX DIAMETER 80	KIT	1
SCD100564	KIT FLEXIBLE SLEEVE OPTIMA MGF 102-OPT BLACK + FLEX DIAMETER 80	KIT	1
SCD100565	KIT FLEXIBLE SLEEVE OPTIMA MGF 102-OPT GREY + FLEX DIAMETER 80	KIT	1

Datasheet

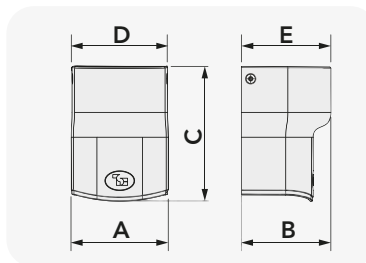


MGFO

**UK** FLEXIBLE SLEEVE FOR OPTIMA DUCT

**FR** MANCHON DE JONCTION FLEXIBLE POUR GOULOTTE OPTIMA

**DE** FLEXIBLE VERBINDUNGSMUFFE FÜR KANAL OPTIMA



With screws included

Available from April 2025

For the codes of the loose flexible tube see page 24

MODEL	DESCRIPTION	DIMENSIONS [mm]					U.M.	Pieces per box
		A	B	C	D	E		
SCD100590	OPTIMA FLEXIBLE SLEEVE MGF 75-OPT PVC WHITE	78	58	108	77	72	PCS	
SCD100591	OPTIMA FLEXIBLE SLEEVE MGF 75-OPT PVC BLACK	78	58	108	77	72	PCS	
SCD100592	OPTIMA FLEXIBLE SLEEVE MGF 75-OPT PVC GREY	78	58	108	77	72	PCS	
SCD100593	OPTIMA FLEXIBLE SLEEVE MGF 102-OPT PVC WHITE	102	71	116	102	95	PCS	
SCD100594	OPTIMA FLEXIBLE SLEEVE MGF 102-OPT PVC BLACK	102	71	116	102	95	PCS	
SCD100595	OPTIMA FLEXIBLE SLEEVE MGF 102-OPT PVC GREY	102	71	116	102	95	PCS	

Datasheet





# NEW INNOVATIVE MATERIAL FOR AN EXTRAORDINARY RESULT

Trunkings and accessories made  
in PVC and plastic material



Patented model



Anti UV rays



Reach certifications



High resistance



Eco-friendly material



Shockproof



Operating temperature  
-20°C/+75°C



# BUILT-IN INSTALLATION BOXES



The shockproof polystyrene built-in installation boxes are equipped with 6 inlets for the refrigeration lines. They are equipped with two adjustable plates, useful for fixing the indoor unit jig. The conveyor positioned at the back, is equipped with a grille in addition to its particular funnel shape that prevents water from stagnating, is equipped with an innovative inspectionable siphon, which guarantees protection from the reflux of bad smells. To facilitate the installation, the preparation is provided with support feet and with a built-in levelling device.

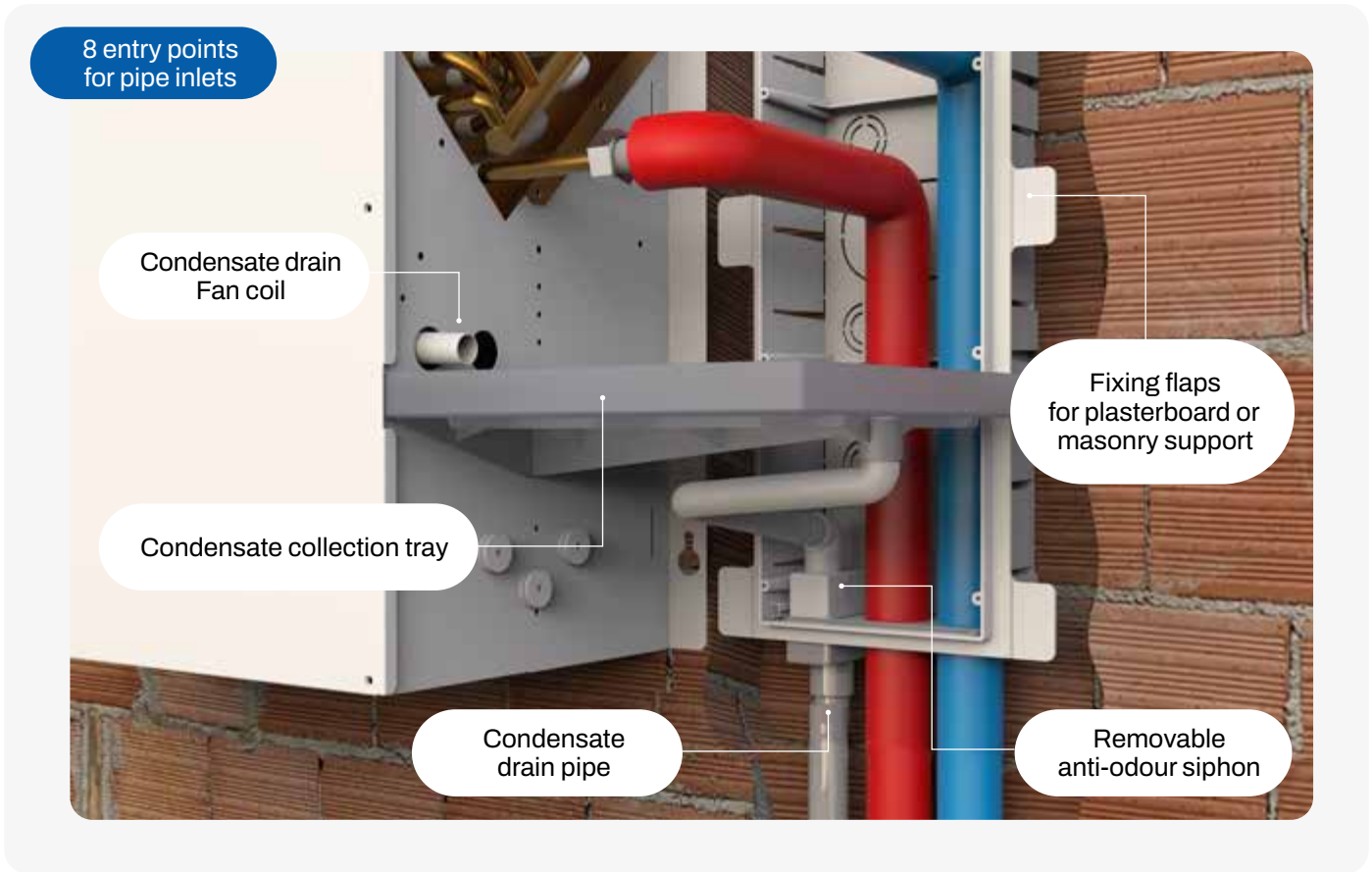
# PROFESSIONAL FAN COIL

Vertical built-in installation box  
for fan coils with built-in inspectable siphon

MADE IN ITALY



NEW



# PROFESSIONAL FAN COIL



## VERTICAL BUILT-IN INSTALLATION BOX FOR FAN COILS WITH BUILT-IN INSPECTABLE SIPHON

### TECHNICAL SPECIFICATIONS

- Made of shockproof polystyrene
- Certified recycled material
- With removable built-in siphon
- Ideal for fixing on walls and plasterboard with fins
- Fixing on plasterboard with screws on the six side flaps
- Built-in spirit level
- Attachment slots for fixed pipe clamps
- Designed to be housed vertically on the wall to contain the delivery and return pipes
- Dimensions: 470 x 160 x 85 mm

## BOÎTIER VERTICAL DE PRÉDISPOSITION POUR VENTIL-CONVECTEUR AVEC SIPHON CONTRÔLABLE INTÉGRÉ

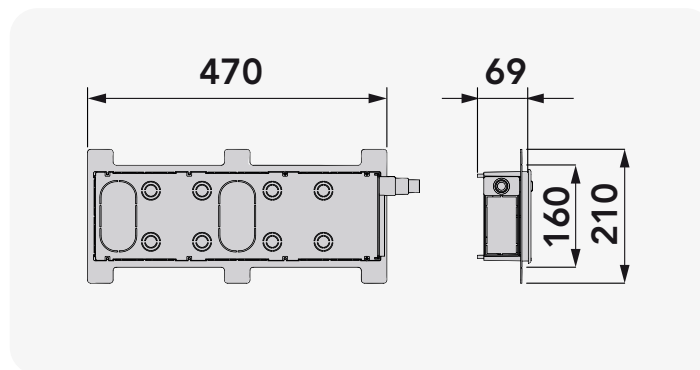
### CARACTÉRISTIQUES TECHNIQUES

- Fabriqué en polystyrène anti-choc
- Matériau recyclé certifié
- Avec siphon amovible intégré
- Idéal pour la fixation sur maçonnerie et plaque de plâtre à l'aide d'ailerettes
- Fixation sur plaque de plâtre à l'aide de vis sur les six ailettes latérales
- Niveau à bulle intégré
- Fentes pour l'accrochage des colliers de serrage des tubes
- Conçu pour son installation murale verticale et pour contenir les tubes de refoulement et de récupération
- Dimensions : 470 x 160 x 85 mm

## VERTIKALE VORRÜSTUNG FÜR GEBLÄSEKONVEKTOR MIT INTEGRIERTEM INSPIZIERBAREM SIPHON

### TECHNISCHE EIGENSCHAFTEN

- Gefertigt aus stoßfestem Polystyrol
- Zertifiziertes recyceltes Material
- Mit abnehmbarem integriertem Siphon
- Ideal für die Befestigung an Mauerwerk und Gipskarton mittels Lamellen
- Befestigung an Gipskarton mittels Schrauben an den sechs seitlichen Lamellen
- Eingebaute Libelle
- Ösen für die Befestigung der Schlauchschellen
- Ausgelegt für vertikale Wandmontage zur Aufnahme der Zuluft- und Rücklaufleitungen
- Abmessungen: 470 x 160 x 85 mm



MADE IN ITALY

Available from April 2025

CODE	DESCRIPTION	U.M.	Pieces per box
SCD200013	VERTICAL ARRANGEMENT WITH FAN-COIL SIPHON	PCS	1

Datasheet



## Applications





# ELISYUM HYDRONIC ELITE



MADE IN ITALY

## BUILT-IN INSTALLATION BOX WITH SIPHON

### TECHNICAL SPECIFICATIONS

- Right/left reversible tilted rear conveyor with multiple side coupling Ø 16 - Ø 20
- Protection grille
- Adjustable template fastening plates
- Built-in spirit level
- Built-in siphon with hermetic cover
- Anti-condensation cavity
- Anti-plaster cardboard
- Interlocking cover or with screws
- Holes for fastening to plasterboard walls
- Ideal for applications with insulated pipes with a diameter of 52 mm

## PRÉDISPOSITION AVEC SIPHON

### CARACTÉRISTIQUES TECHNIQUES

- Convoyeur arrière incliné droite/gauche réversible avec raccordement latéral multiple Ø 16 - Ø 20
- Grille de protection
- Plaques de fixation de gabarit réglables
- Bulle intégrée
- Siphon intégré avec couvercle hermétique
- Cavité anti-condensation
- Carton anti-poussière de plâtre
- Couvercle emboîtable ou avec vis
- Trous de montage mural dans la plaque de plâtre
- Idéal pour les applications avec des tuyaux isolés d'un diamètre de 52 mm

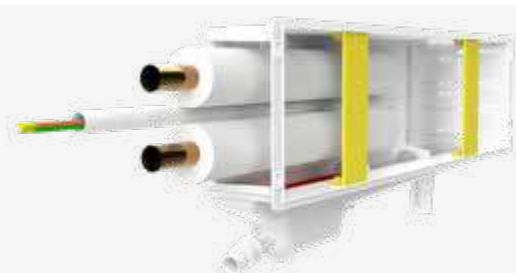
## INSTALLATIONSKASTEN MIT SIPHON

### TECHNISCHE EIGENSCHAFTEN

- Hinteres Förderband, geneigt, reversibel rechts/links mit seitlichem Mehrfach-Anschluss Ø 16 - Ø 20
- Schutzgitter
- Verstellbare Platten zur Befestigung der Lehre
- Eingebaute Libelle
- Eingebauter Siphon mit hermetischer Abdeckung
- Kondensationsschutz-Hohlraum
- Schutzkarton gegen Mörtel
- Steckabdeckung oder mit Schrauben
- Bohrungen zur Wandmontage an Gipskartonplatten
- Ideal für Anwendungen mit gedämmten Rohren mit einem Durchmesser von 52 mm



Virtual reality



Example of installation for hydronic internal unit with copper pipe + insulated until Ø 52mm



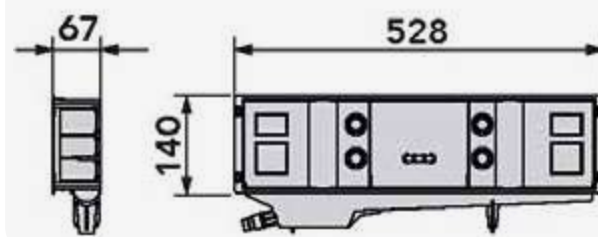
Available in singular pack or in a pack of 20 pcs.



Also available in the practical and elegant display

### Combinations with condensate drain pipes in the catalogue:

- Pipe 18/20 art.11126346 (direct connection)
- Pipe 18/20 art.11126320 (direct connection)
- TCR-21 rigid tube (using the MP-TCR-21)



CODE	DESCRIPTION	U.M.	Pieces per box	U.M. Box	U.M. Pallet
SCD200002	"ELISYUM HYDRONIC ELITE" READY-TO-PLUMB INSTALLATION BOX WITH TRAP AND SNAP-ON COVER	PCS	1	1	240
SCD200004	"ELISYUM HYDRONIC ELITE" READY-TO-PLUMB INSTALLATION BOX WITH TRAP + COVER WITH SCREWS	PCS	1	1	240

Datasheet





# ELISYUM HYDRONIC CLASSIC



MADE IN ITALY

## UK BUILT-IN INSTALLATION BOX

### TECHNICAL SPECIFICATIONS

- Right/left reversible tilted rear conveyor with multiple side coupling Ø 16 - Ø 20
- Protection grille
- Adjustable template fastening plates
- Built-in spirit level
- Anti-plaster cardboard
- Interlocking cover or with screws
- Holes for fastening to plasterboard walls
- Ideal for applications with insulated pipes with a diameter of 52 mm

## FR PRÉDISPOSITION

### CARACTÉRISTIQUES TECHNIQUES

- Convoyeur arrière incliné droite/gauche réversible avec raccordement latéral multiple Ø 16 - Ø 20
- Grille de protection
- Plaques de fixation de gabarit réglables
- Bulle intégrée
- Carton anti-poussière de plâtre
- Couvercle emboîtable ou avec vis
- Trous de montage mural dans la plaque de plâtre
- Idéal pour les applications avec des tuyaux isolés d'un diamètre de 52 mm

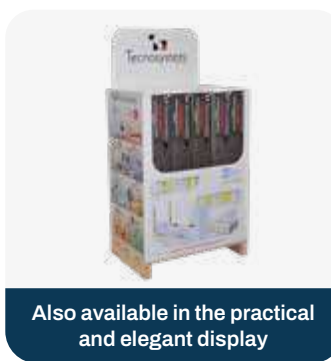
## DE INSTALLATIONSKASTEN

### TECHNISCHE EIGENSCHAFTEN

- Hinteres Förderband, geneigt, reversibel rechts/links mit seitlichem Mehrfach-Anschluss Ø 16 - Ø 20
- Schutzgitter
- Verstellbare Platten zur Befestigung der Lehre
- Eingebaute Libelle
- Schutzkarton gegen Mörtel
- Steckabdeckung oder mit Schrauben
- Bohrungen zur Wandmontage an Gipskartonplatten
- Ideal für Anwendungen mit gedämmten Rohren mit einem Durchmesser von 52 mm

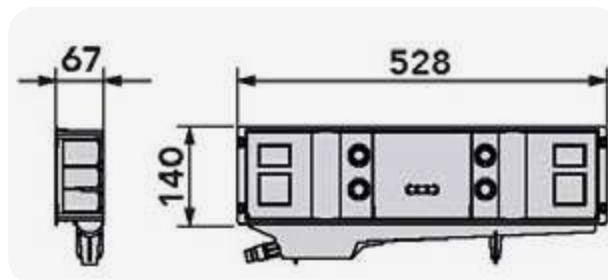


Available in singular pack or in a pack of 20 pcs.



### Combinations with condensate drain pipes in the catalogue:

- Pipe 18/20 art.11126346 (direct connection)
- Pipe 18/20 art.11126320 (direct connection)
- TCR-21 rigid tube (using the MP-TCR-21)



CODE	DESCRIPTION	U.M.	Pieces per box	U.M. Box	U.M. Pallet
SCD200001	"ELISYUM HYDRONIC CLASSIC" READY-TO-PLUMB INSTALLATION BOX WITH TRAP AND SNAP-ON COVER	PCS	1	1	240
SCD200003	"ELISYUM HYDRONIC ELITE" CLASSIC-TO-PLUMB INSTALLATION BOX WITH TRAP + COVER W/ SCREWS	PCS	1	1	240





## UK BUILT-IN INSTALLATION BOX WITH SIPHON

### TECHNICAL SPECIFICATIONS

- Right/left reversible tilted rear conveyor with multiple side coupling Ø 16 - Ø 20
- Protection grille
- Adjustable template fastening plates
- Built-in spirit level
- Built-in siphon with hermetic cover
- Anti-condensation cavity
- Anti-plaster cardboard
- Interlocking cover or with screws

## FR PRÉDISPOSITION AVEC SIPHON

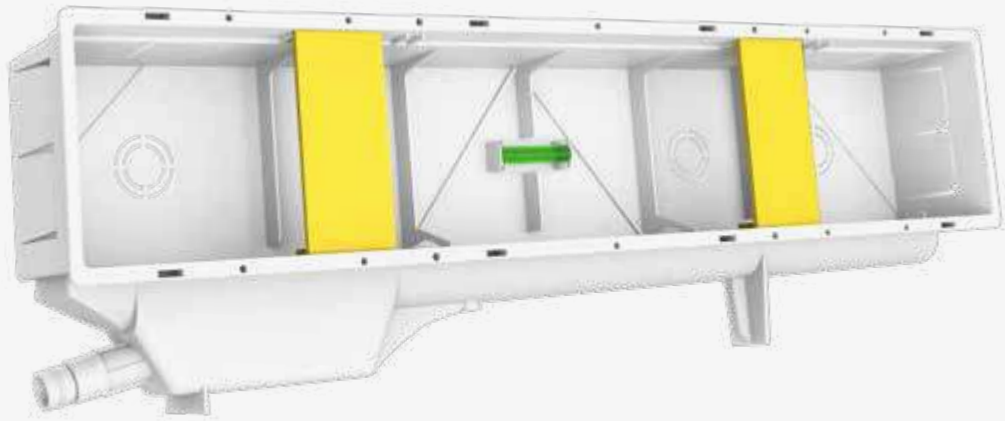
### CARACTÉRISTIQUES TECHNIQUES

- Convoyeur arrière incliné droite/gauche réversible avec raccordement latéral multiple Ø 16 - Ø 20
- Grille de protection
- Plaques de fixation de gabarit réglables
- Bulle intégrée
- Siphon intégré avec couvercle hermétique
- Cavité anti-condensation
- Carton anti-poussière de plâtre
- Couvercle emboîtable ou avec vis

## DE INSTALLATIONSKASTEN MIT SIPHON

### TECHNISCHE EIGENSCHAFTEN

- Hinteres Förderband, geneigt, reversibel rechts/links mit seitlichem Mehrfach-Anschluss Ø 16 - Ø 20
- Schutzgitter
- Verstellbare Platten zur Befestigung der Lehre
- Eingebaute Libelle
- Eingebauter Siphon mit hermetischer Abdeckung
- Kondensationsschutz-Hohlraum
- Schutzkarton gegen Mörtel
- Steckabdeckung oder mit Schrauben



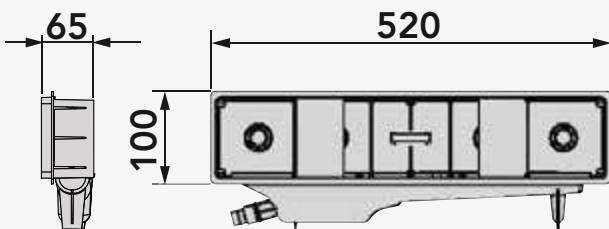
## Combinations with condensate drain pipes in the catalogue:

- Pipe 18/20 art.11126346 (direct connection)
- Pipe 18/20 art.11126320 (direct connection)
- TCR-21 rigid tube (using the MP-TCR-21)

Virtual reality



Video



Available in singular pack or in a pack of 25 pcs.



Also available in the practical and elegant display

CODE	DESCRIPTION	U.M.	Pieces per box	U.M. Box	U.M. Pallet
11100117	PROFESSIONAL-ELITE READY-TO-PLUMB INSTALLATION BOX WITH TRAP AND SNAP-ON COVER	PCS	1	1	300
11100117V	PROFESSIONAL-ELITE READY-TO-PLUMB INSTALLATION BOX WITH TRAP AND COVER WITH SCREWS	PCS	1	1	300

Datasheet





## UK BUILT-IN INSTALLATION BOX

### TECHNICAL SPECIFICATIONS

- Right/left reversible tilted rear conveyor with multiple side coupling Ø 16 - Ø 20
- Protection grille
- Adjustable template fastening plates
- Built-in spirit level
- Anti-plaster cardboard
- Interlocking cover or with screws

## FR PRÉDISPOSITION

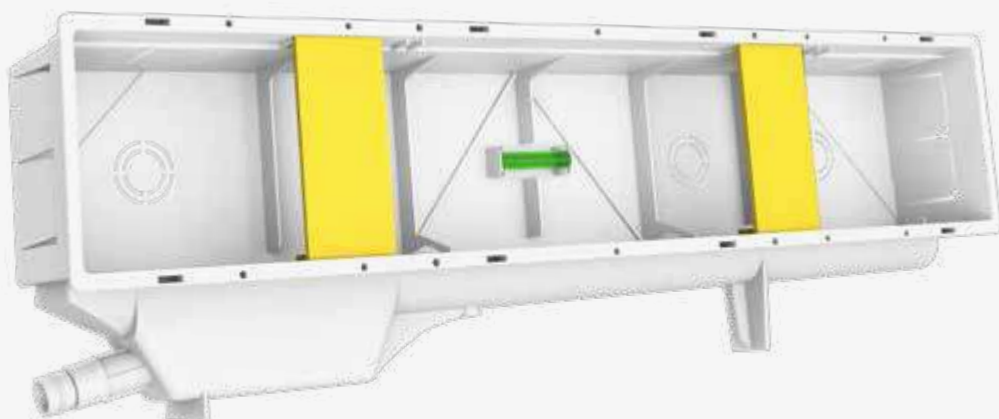
### CARACTÉRISTIQUES TECHNIQUES

- Convoyeur arrière incliné droite/gauche réversible avec raccordement latéral multiple Ø 16 - Ø 20
- Grille de protection
- Plaques de fixation de gabarit réglables
- Bulle intégrée
- Carton anti-poussière de plâtre
- Couvercle emboîtable ou avec vis

## DE INSTALLATIONSKASTEN

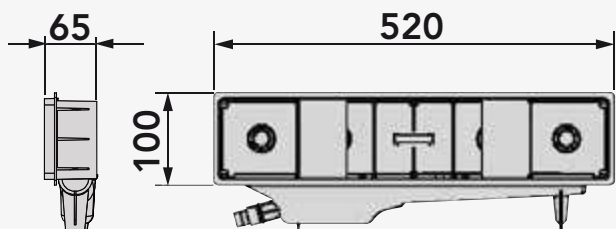
### TECHNISCHE EIGENSCHAFTEN

- Hinteres Förderband, geneigt, reversibel rechts/links mit seitlichem Mehrfach-Anschluss Ø 16 - Ø 20
- Schutzgitter
- Verstellbare Platten zur Befestigung der Lehre
- Eingebaute Libelle
- Schutzkarton gegen Mörtel
- Steckabdeckung oder mit Schrauben



## Combinations with condensate drain pipes in the catalogue:

- Pipe 18/20 art.11126346 (direct connection)
- Pipe 18/20 art.11126320 (direct connection)
- TCR-21 rigid tube (using the MP-TCR-21)



Available in singular pack or in a pack of 25 pcs.



Also available in the practical and elegant display

CODE	DESCRIPTION	U.M.	Pieces per box	U.M. Box	U.M. Pallet
11100116	PROFESSIONAL-PLUS READY-TO-PLUMB INSTALLATION BOX WITH SNAP-ON COVER	PCS	1	1	300
11100116V	PROFESSIONAL-PLUS READY-TO-PLUMB INSTALLATION BOX WITH COVER AND SCREWS	PCS	1	1	300

Datasheet



## UK BUILT-IN INSTALLATION BOX

### TECHNICAL SPECIFICATIONS

- Right/left reversible tilted rear conveyor with multiple side coupling Ø 16 - Ø 20
- Protection grille
- Anti-plaster cardboard
- Interlocking cover or with screws

## FR PRÉDISPOSITION

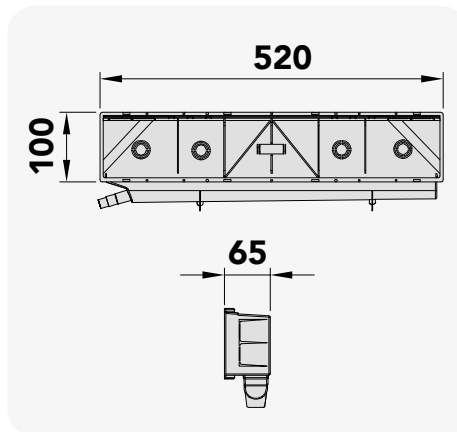
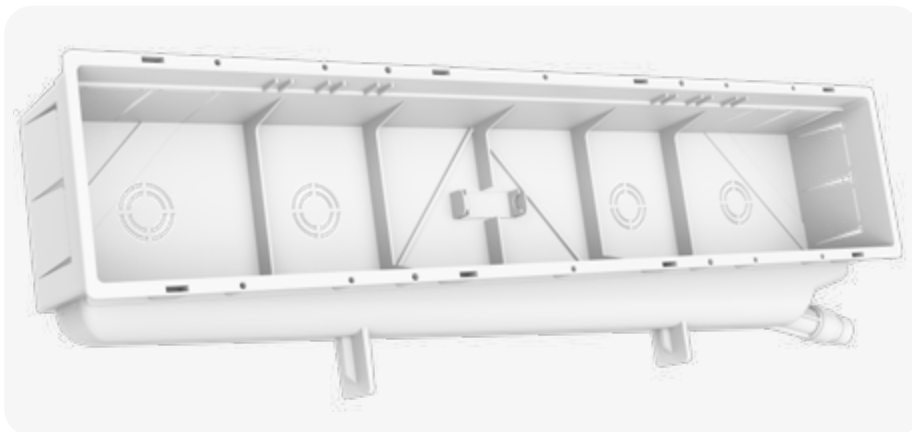
### CARACTÉRISTIQUES TECHNIQUES

- Convoyeur arrière incliné droite/gauche réversible avec raccordement latéral multiple Ø 16 - Ø 20
- Grille de protection
- Carton anti-poussière de plâtre
- Couvercle emboîtable ou avec vis

## DE INSTALLATIONSKASTEN

### TECHNISCHE EIGENSCHAFTEN

- Hinteres Förderband, geneigt, reversibel rechts/links mit seitlichem Mehrfach-Anschluss Ø 16 - Ø 20
- Schutzgitter
- Schutzkarton gegen Mörtel
- Steckabdeckung oder mit Schrauben



### Combinations with condensate drain pipes in the catalogue:

- Pipe 18/20 art.11126346 (direct connection)
- Pipe 18/20 art.11126320 (direct connection)
- TCR-21 rigid tube (using the MP-TCR-21)



Available in singular pack or in a pack of 25 pcs.



Also available in the practical and elegant display

CODE	DESCRIPTION	U.M.	Pieces per box	U.M. Box	U.M. Pallet
11100095	PROFESSIONAL-CLASSIC READY-TO-PLUMB INSTALLATION BOX WITH SNAP-ON COVER	PCS	1	1	300
11100095V	PROFESSIONAL-CLASSIC READY-TO-PLUMB INSTALLATION BOX WITH COVER AND SCREWS	PCS	1	1	300

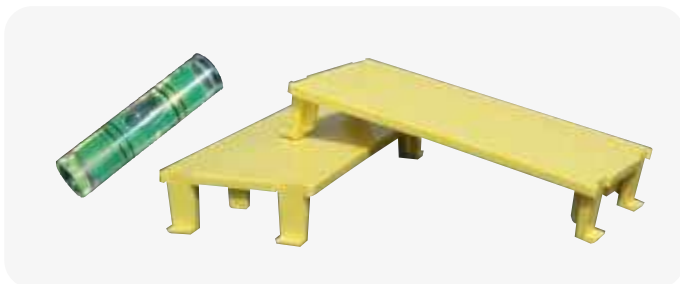
Datasheet



## UK PLATE KIT + LEVEL FOR FITTINGS

## FR KIT PLAQUE + BULLE POUR PRÉDISPOSITIONS

## DE PLATTENSATZ + LIBELLE FÜR INSTALLATIONSKASTEN



Datasheet

CODE	DESCRIPTION	U.M.	Pieces per box
11100130	KIT OF PLATES + SPIRIT FOR PREPARATIONS	KIT	10



# FLAT CLASSIC

MADE IN ITALY



## BUILT-IN INSTALLATION BOX

### TECHNICAL SPECIFICATIONS

- Right/left reversible tilted rear conveyor with Ø 20 vertical coupling
- Protection grille
- Anti-plaster cardboard
- Interlocking cover or with screws

## PRÉDISPOSITION

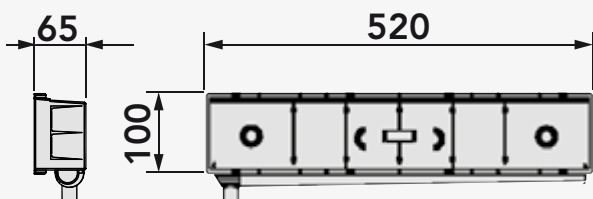
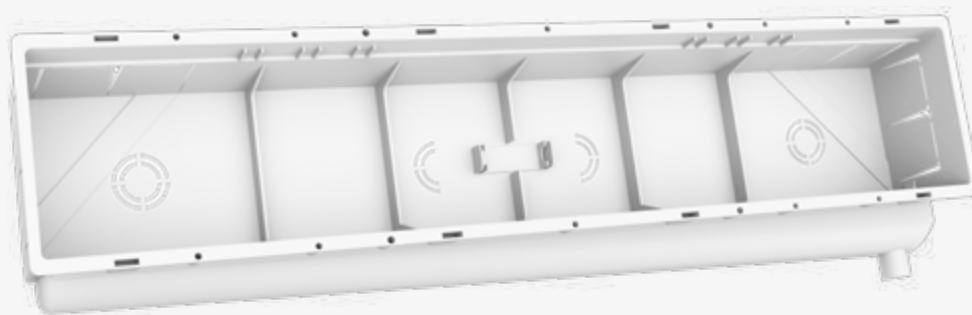
### CARACTÉRISTIQUES TECHNIQUES

- Convoyeur arrière incliné droite/gauche réversible avec raccordement vertical Ø 20
- Grille de protection
- Carton anti-poussière de plâtre
- Couverture emboîtable ou avec vis

## INSTALLATIONSKASTEN

### TECHNISCHE EIGENSCHAFTEN

- Hinteres Förderband, geneigt, reversibel rechts/links mit vertikalem Anschluss Ø 20
- Schutzgitter
- Schutzkarton gegen Mörtel
- Steckabdeckung oder mit Schrauben



Available in singular pack or in a pack of 25 pcs.



Also available in the practical and elegant display

Datasheet

CODE	DESCRIPTION	U.M.	Pieces per box	U.M. Box	U.M. Pallet
11100094	FLAT CLASSIC READY-TO-PLUMB INSTALLATION BOX WITH SNAP-ON COVER	PCS	1	1	300



## PLATE KIT + LEVEL FOR FITTINGS

## KIT PLAQUE + BULLE POUR PRÉDISPOSITIONS

## PLATTENSATZ + LIBELLE FÜR INSTALLATIONSKASTEN



MADE IN ITALY

Datasheet

CODE	DESCRIPTION	U.M.	Pieces per box
11100130	KIT OF PLATES + SPIRIT FOR PREPARATIONS	KIT	10





# COMPACT ELITE



MADE IN ITALY

## UK BUILT-IN INSTALLATION BOX WITH SIPHON

### TECHNICAL SPECIFICATIONS

- Right/left reversible rear funnel conveyor with double side coupling Ø 16 - Ø 20
- Protection grille
- Adjustable template fastening plates
- Built-in spirit level
- Anti-condensation cavity
- Built-in siphon with hermetic cover
- Interlocking cover or with screws

## FR PRÉDISPOSITION AVEC SIPHON

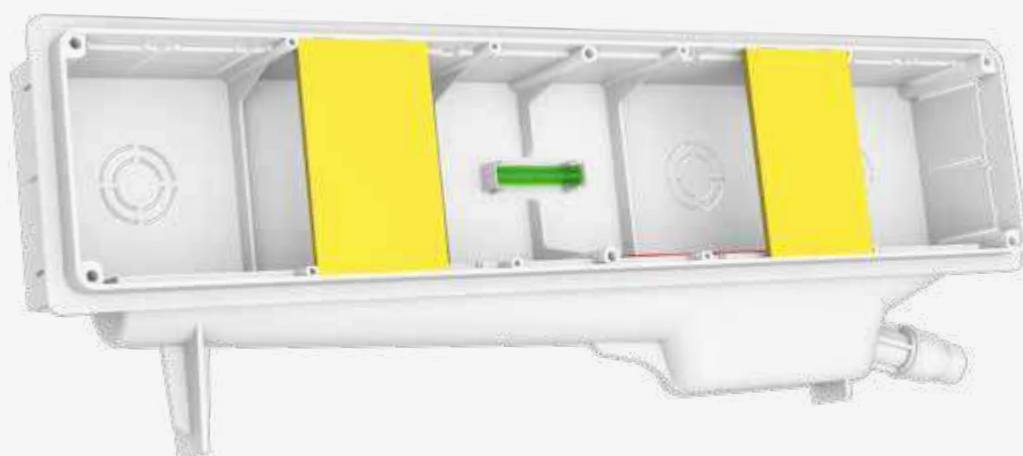
### CARACTÉRISTIQUES TECHNIQUES

- Convoyeur à entonnoir arrière réversible droite/gauche avec fixation double côté Ø 16 - Ø 20
- Grille de protection
- Plaques de fixation de gabarit réglables
- Bulle intégrée
- Cavité anti-condensation
- Siphon intégré avec couvercle hermétique
- Couvercle emboîtable ou avec vis

## DE INSTALLATIONSKASTEN MIT SIPHON

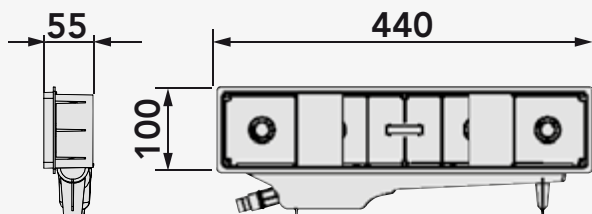
### TECHNISCHE EIGENSCHAFTEN

- Hinterer Trichterförderer, reversibel, rechts/links mit doppelseitigem Anschluss Ø 16 - Ø 20
- Schutzgitter
- Verstellbare Platten zur Befestigung der Lehre
- Eingebaute Libelle
- Kondensationsschutz-Hohlraum
- Eingebauter Siphon mit hermetischer Abdeckung
- Steckabdeckung oder mit Schrauben



## Combinations with condensate drain pipes in the catalogue:

- Pipe 18/20 art.11126346 (direct connection)
- Pipe 18/20 art.11126320 (direct connection)
- TCR-21 rigid tube (using the MP-TCR-21)



Available in singular pack or in a pack of 25 pcs.



Also available in the practical and elegant display

CODE	DESCRIPTION	U.M.	Pieces per box	U.M. Box	U.M. Pallet
11100119	COMPACT-ELITE READY-TO-PLUMB INSTALLATION BOX WITH TRAP AND SNAP-ON COVER	PCS	1	1	300
11100119V	COMPACT-ELITE READY-TO-PLUMB INSTALLATION BOX WITH TRAP AND COVER WITH SCREWS	PCS	1	1	300

Datasheet



# COMPACT CLASSIC

MADE IN ITALY



## UK BUILT-IN INSTALLATION BOX

### TECHNICAL SPECIFICATIONS

- Right/left reversible rear funnel conveyor with double side coupling Ø 16 - Ø 20
- Protection grille
- Interlocking cover or with screws

## FR PRÉDISPOSITION

### CARACTÉRISTIQUES TECHNIQUES

- Convoyeur à entonnoir arrière réversible droite/gauche avec fixation double côté Ø 16 - Ø 20
- Grille de protection
- Couvercle emboîtable ou avec vis

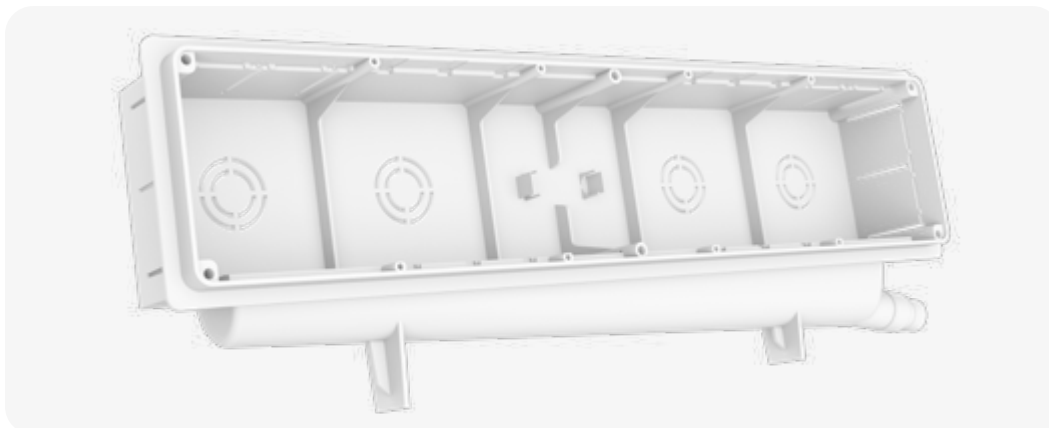
## DE INSTALLATIONSKASTEN

### TECHNISCHE EIGENSCHAFTEN

- Hinterer Trichterförderer, reversibel, rechts/links mit doppelseitigem Anschluss Ø 16 - Ø 20
- Schutzgitter
- Steckabdeckung oder mit Schrauben

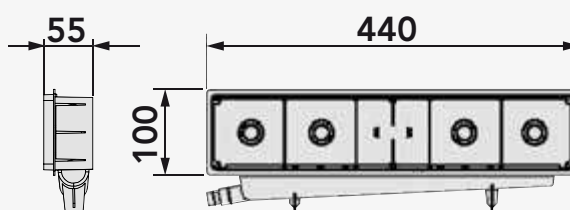


Available in singular pack or in a pack of 25 pcs.



### Combinations with condensate drain pipes in the catalogue:

- Pipe 18/20 art.11126346 (direct connection)
- Pipe 18/20 art.11126320 (direct connection)
- TCR-21 rigid tube (using the MP-TCR-21)



Also available in the practical and elegant display

CODE	DESCRIPTION	U.M.	Pieces per box	U.M. Box	U.M. Pallet
11100098	COMPACT-CLASSIC READY-TO-PLUMB INSTALLATION BOX WITH SNAP-ON COVER	PCS	1	1	300
11100098V	COMPACT-CLASSIC READY-TO-PLUMB INSTALLATION BOX WITH COVER AND SCREWS	PCS	1	1	300

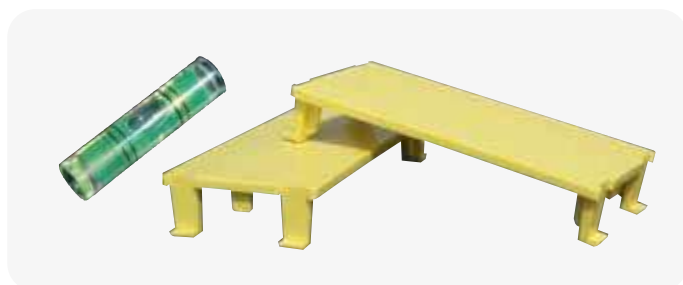
Datasheet



## UK PLATE KIT + LEVEL FOR FITTINGS

## FR KIT PLAQUE + BULLE POUR PRÉDISPOSITIONS

## DE PLATTENSATZ + LIBELLE FÜR INSTALLATIONSKASTEN



MADE IN ITALY

Datasheet

CODE	DESCRIPTION	U.M.	Pieces per box
11100130	KIT OF PLATES + SPIRIT FOR PREPARATIONS	KIT	1



## BUILT-IN INSTALLATION BOX

### TECHNICAL SPECIFICATIONS

- Rear conveyor with 4 outlets
- 2 side outlets Ø 16 - Ø 20
- 2 vertical outlets Ø 20
- Protection grille
- Anti-condensation cavity
- Anti-plaster cardboard
- Interlocking cover or with screws

## PRÉDISPOSITION

### CARACTÉRISTIQUES TECHNIQUES

- Convoyeur arrière à 4 sorties
- 2 sorties latérales Ø 16 - Ø 20
- 2 sorties verticales Ø 20
- Grille de protection
- Cavité anti-condensation
- Carton anti-poussière de plâtre
- Couvercle emboîtable ou avec vis

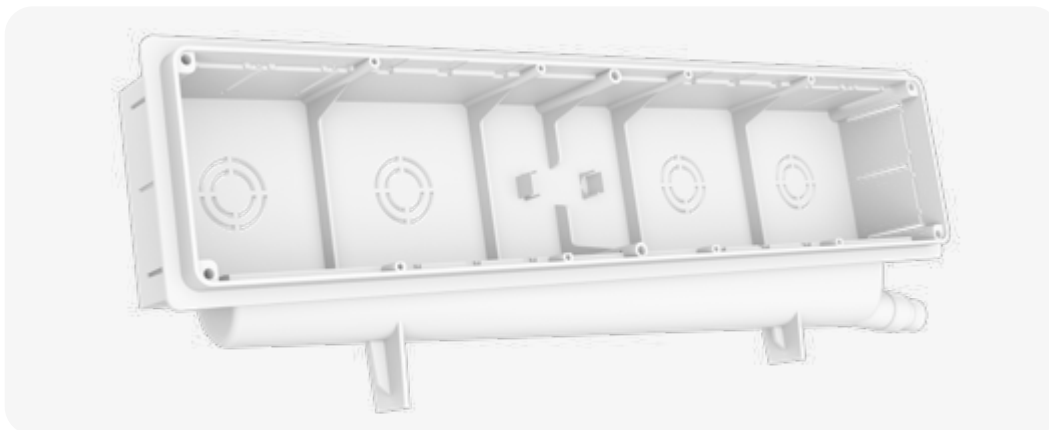
## INSTALLATIONSKASTEN

### TECHNISCHE EIGENSCHAFTEN

- Hinteres Förderband mit 4 Ausgängen
- 2 seitliche Auslässe Ø 16 - Ø 20
- 2 vertikale Auslässe Ø 20
- Schutzgitter
- Kondensationsschutz-Hohlraum
- Schutzkarton gegen Mörtel
- Steckabdeckung oder mit Schrauben

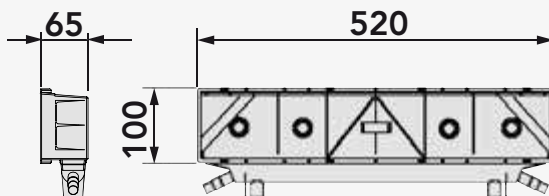


Available in singular pack or in a pack of 25 pcs.



### Combinations with condensate drain pipes in the catalogue:

- Pipe 18/20 art.11126346 (direct connection)
- Pipe 18/20 art.11126320 (direct connection)
- TCR-21 rigid tube (using the MP-TCR-21)



Also available in the practical and elegant display

CODE	DESCRIPTION	U.M.	Pieces per box	U.M. Box	U.M. Pallet
11100122	EVO MAXI READY-TO-PLUMB INSTALLATION BOX WITH SNAP-ON COVER	PCS	1	1	300
11100122V	EVO MAXI READY-TO-PLUMB INSTALLATION BOX WITH COVER AND SCREWS	PCS	1	1	300

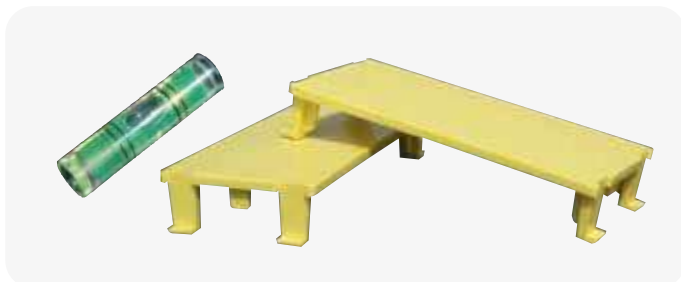
Datasheet



## PLATE KIT + LEVEL FOR FITTINGS

## KIT PLAQUE + BULLE POUR PRÉDISPOSITIONS

## PLATTENSATZ + LIBELLE FÜR INSTALLATIONSKASTEN



Datasheet

CODE	DESCRIPTION	U.M.	Pieces per box
11100130	KIT OF PLATES + SPIRIT FOR PREPARATIONS	KIT	10



## 🇬🇧 BUILT-IN INSTALLATION BOX

### TECHNICAL SPECIFICATIONS

- Rear conveyor with 4 outlets
- 2 side outlets Ø 16 - Ø 20
- 2 vertical outlets Ø 20
- Protection grille
- Anti-condensation cavity
- Interlocking cover or with screws

## 🇫🇷 PRÉDISPOSITION

### CARACTÉRISTIQUES TECHNIQUES

- Convoyeur arrière à 4 sorties
- 2 sorties latérales Ø 16 - Ø 20
- 2 sorties verticales Ø 20
- Grille de protection
- Cavité anti-condensation
- Couvercle emboîtable ou avec vis

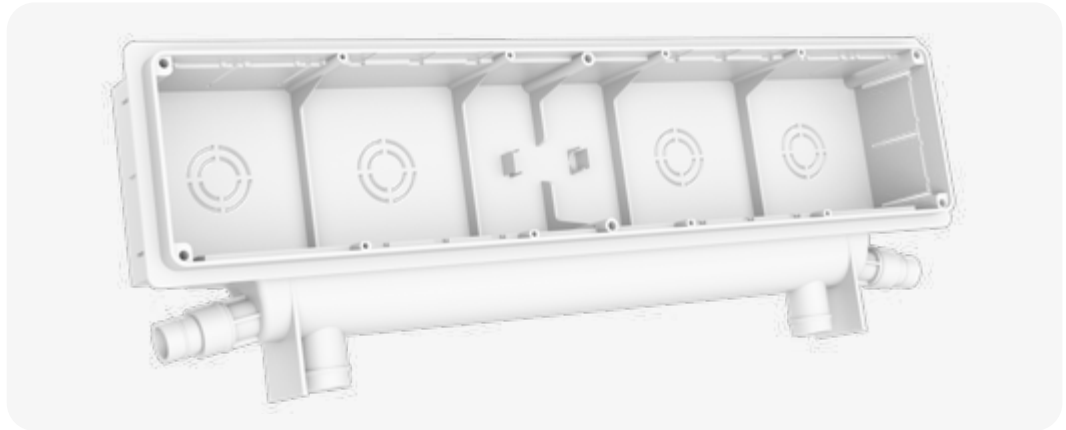
## 🇩🇪 INSTALLATIONSKASTEN

### TECHNISCHE EIGENSCHAFTEN

- Hinteres Förderband mit 4 Ausgängen
- 2 seitliche Auslässe Ø 16 - Ø 20
- 2 vertikale Auslässe Ø 20
- Schutzgitter
- Kondensationsschutz-Hohlraum
- Steckabdeckung oder mit Schrauben

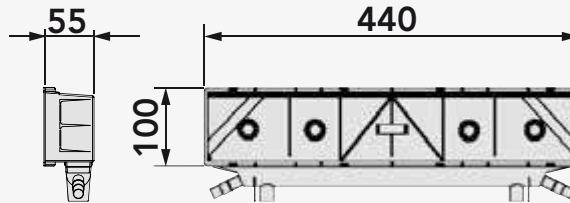


Available in singular pack or in a pack of 25 pcs.



### Combinations with condensate drain pipes in the catalogue:

- Pipe 18/20 art.11126346 (direct connection)
- Pipe 18/20 art.11126320 (direct connection)
- TCR-21 rigid tube (using the MP-TCR-21)



Also available in the practical and elegant display

CODE	DESCRIPTION	U.M.	Pieces per box	U.M. Box	U.M. Pallet
11100120	EVO READY-TO-PLUMB INSTALLATION BOX WITH SNAP-ON COVER	PCS	1	1	300
11100120V	EVO READY-TO-PLUMB INSTALLATION BOX WITH COVER AND SCREWS	PCS	1	1	300

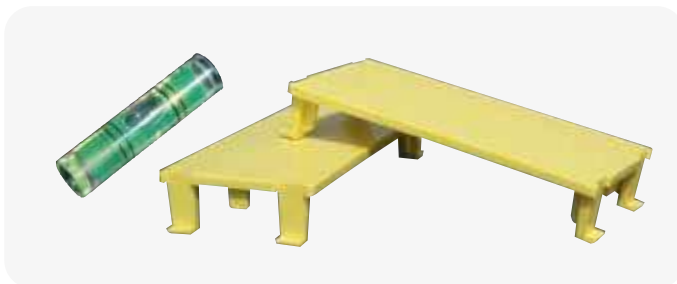
Datasheet



## 🇬🇧 PLATE KIT + LEVEL FOR FITTINGS

## 🇫🇷 KIT PLAQUE + BULLE POUR PRÉDISPOSITIONS

## 🇩🇪 PLATTENSATZ + LUFTBLASE FÜR INSTALLATIONSKASTEN



CODE	DESCRIPTION	U.M.	Pieces per box
11100130	KIT OF PLATES + SPIRIT FOR PREPARATIONS	KIT	10

Datasheet



# BOX CLIMA PLUS

MADE IN ITALY



## BUILT-IN INSTALLATION BOX

### TECHNICAL SPECIFICATIONS

- Made of premium polystyrene
- Conveyor with 2 Ø 20 side outlets with O-ring supplied
- Anti-condensation neoprene band
- Interlocking cover with screws
- Fastening template
- Reducer Ø 16 - 18 with O-ring

## PRÉDISPOSITION

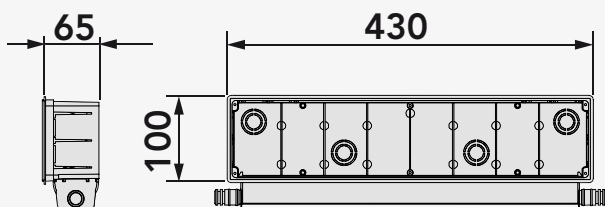
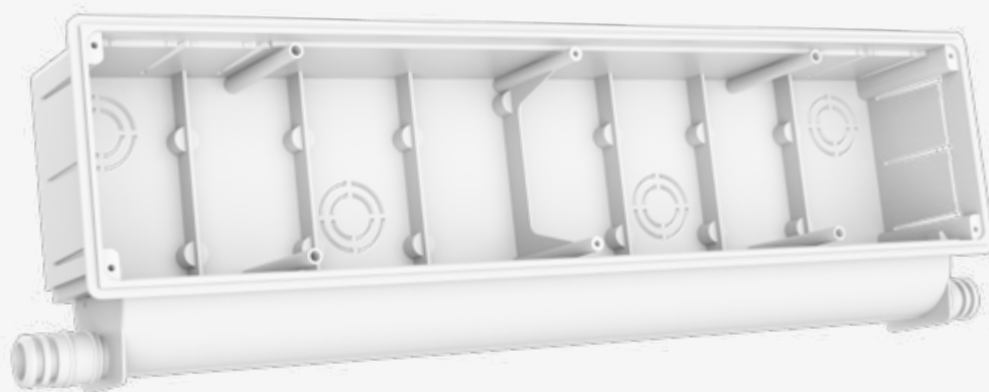
### CARACTÉRISTIQUES TECHNIQUES

- Fabriqué en polystyrène de qualité supérieure
- Convoyeur avec 2 sorties latérales Ø 20 avec anneau en forme de o fourni
- Bande de néoprène anti-condensation
- Couvercle emboîtable avec vis
- Gabarit de fixation
- Réducteur Ø 16 - 18 avec joint torique

## INSTALLATIONSKASTEN

### TECHNISCHE EIGENSCHAFTEN

- Aus hochwertigem Polystyrol
- Förderband mit 2 Seitenausgängen Ø 20 mit O-Ringe mitgeliefert
- Kondensationsschutzband aus Neopren
- Steckabdeckung mit Schrauben
- Montagelehre
- Getriebe Ø 16 - 18 mit O-Ringe



Available in singular pack or in a pack of 20 pcs.

## Accessories



O-ring and reducer



Fastening template



O-ring



Screw kit



Neoprene band

CODE	DESCRIPTION	U.M.	Pieces per box	U.M. Box	U.M. Pallet
11100140	READY-TO-PLUMB INSTALLATION BOX MOD. "BOXCLIMA PLUS" WITH COVER AND SCREWS	PCS	1	1	160

Datasheet





# RAPID PLUS

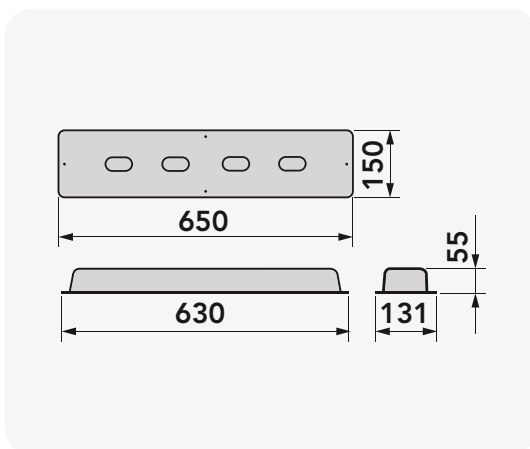
MADE IN ITALY



INSTALLATION FOR BUILT-IN OUTDOOR USE WITH LID

PRÉDISPOSITION POUR L'EXTÉRIEUR À ENCASTRER AVEC COUVERCLE

EINBAU INSTALLATIONS KASTEN FÜR AUSSEN BEREICHE MIT DECKEL



For outdoor

Datasheet

CODE	DESCRIPTION	U.M.	Pieces per box
11100125	OUTDOOR RECESSED BOX WITH COVER	PCS	4



# METAL BOX

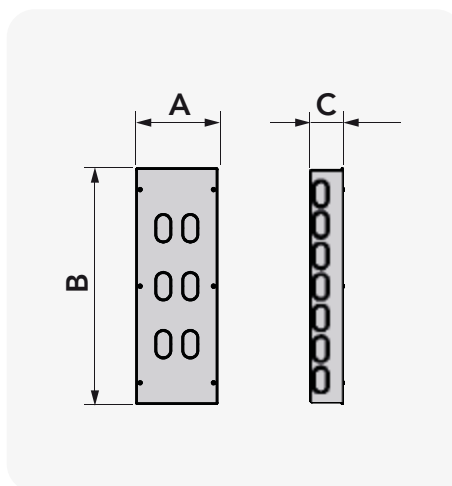
MADE IN ITALY



OUTDOOR BUILT-IN INSTALLATION FOR METAL SPLIT SYSTEMS

PRÉDISPOSITION POUR EXTÉRIEUR POUR LES SYSTÈMES SPLIT EN MÉTAL

METALL-INSTALLATIONSBOX FÜR SPLIT SYSTEME FÜR AUSSENBEREICH



For outdoor

Datasheet

CODE	DESCRIPTION	DIMENSIONS [mm]			NO.OF INLETS	NO.OF OUTPUTS	U.M.	Pieces per box
		A	B	C				
SCD200009	OUTDOOR RECESSED METAL BOX FOR SPLIT SYSTEMS MOD. "METAL BOX" 150x500x80	150	500	80	12	6	PCS	2
SCD200010	OUTDOOR RECESSED METAL BOX FOR SPLIT SYSTEMS MOD. "METAL BOX" 200x600x80	200	600	80	14	8	PCS	2



**CONDENSATE DRAIN PIPE  
Ø 18 DOUBLE CLADDING -  
SLEEVES Ø 16/18**

**TECHNICAL SPECIFICATIONS**

- For duct and flush installations
- Push-fit on built-in installation box or split pipe
- No need for O-ring
- Anti-UVA polyethylene
- Sleeve Ø 16 / 18 (M/F) every 52 cm
- Double white outer coating and inner black tube Ø 18

**TUYAU DE DRAINAGE DU  
CONDENSAT Ø 18 DOUBLE  
REVÊTEMENT - MANCHONS  
Ø 16/18**

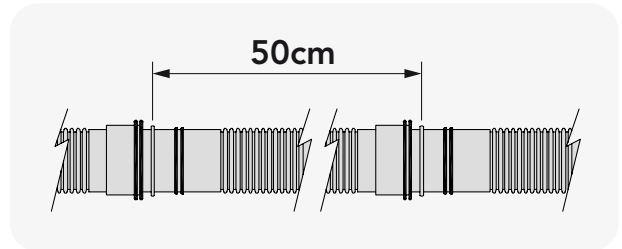
**CARACTÉRISTIQUES TECHNIQUES**

- Pour les installations dans conduits et gaines
- Accouplement à pression sur tuyau prédisposé ou fendu
- Pas besoin de anneau O-ring
- Polyéthylène anti-UVA
- Manchon Ø 16/ 18 / (M/F) tous les 52 cm
- Double revêtement extérieur blanc et tube noir intérieur Ø 18

**KONDENSATABLAUFROHR Ø  
18 MIT DOPPELTER ISOLIE-  
RUNG - MUFFEN Ø 16/18**

**TECHNISCHE EIGENSCHAFTEN**

- Für die Montage in Kanal und unter Putz
- Steckmuffe am Installationsbox- oder Split-Rohr
- Kein O-Ringe erforderlich
- UVA-geschütztes Polyethylen
- Muffe Ø 16 / 18 (M/F) alle 52 cm
- Doppelte Außenbeschichtung weiß und innen schwarz Schlauch Ø 18



For duct and sub-track installations

Resistant to -22°C

Handy central opening for convenient tube extraction

Sleeve Ø 16 / 18 (m/f) every 50 cm

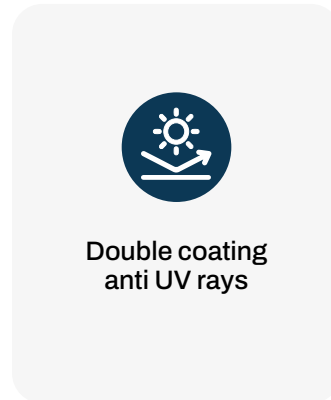
**Details**



Pipe cross-section



Packaging



Double coating  
anti UV rays

CODE	DESCRIPTION	LENGHT	U.M.	Pieces per box	U.M. Pallet
11126344	CONDENSATE DRAIN HOSE Ø18 DUAL LAYER WHITE INSIDE AND BLACK INSIDE-CUFFS Ø16/18	50m ROLL.	PCS	1	40
NEW SCD300095 *	CONDENSATE DRAIN HOSE Ø18 DUAL LAYER WHITE INSIDE AND BLACK INSIDE-CUFFS Ø16/18 - WITHOUT PACKAGING	50m ROLL.	PCS	1	-
SCD300001	CONDENSATE DRAIN HOSE Ø18 DUAL LAYER WHITE INSIDE AND BLACK INSIDE-CUFFS Ø16/18	25m ROLL.	PCS	1	-



Datasheet

\* Available from March 2025

**CONDENSATE DRAIN PIPE  
Ø 20 DOUBLE CLADDING -  
SLEEVES Ø 18/20**

**TECHNICAL SPECIFICATIONS**

- For duct and flush installations
- Push-fit on built-in installation box or split pipe or Regio siphon Cod. 11126322B
- No need for O-ring
- Anti-UVA polyethylene
- Sleeve Ø 18 / 20 (M/F) every 52 cm
- Double white outer coating and inner black tube Ø 20

**TUYAU DE DRAINAGE DU  
CONDENSAT Ø 20 DOUBLE  
REVÊTEMENT - MANCHONS  
Ø 18/20**

**CARACTÉRISTIQUES TECHNIQUES**

- Pour les installations dans conduits et gaines
- Accouplement à pression sur tuyau prédisposé ou fendu ou siphon Regio Code 11126322B
- Pas besoin de anneau O-ring
- Polyéthylène anti-UVA
- Manchon Ø 18 / 20 (M/F) tous les 52 cm
- Double revêtement extérieur blanc et tube noir intérieur Ø 20

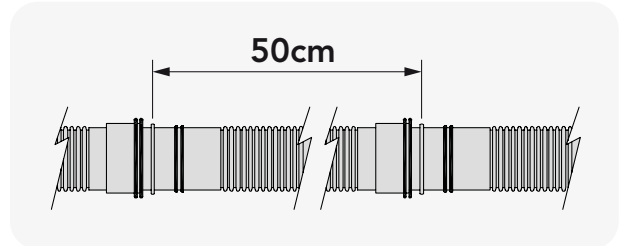
**KONDENSATABLAUFROHR Ø  
20 MIT DOPPELTER ISOLIE-  
RUNG - MUFFEN Ø 18/20**

**TECHNISCHE EIGENSCHAFTEN**

- Für die Montage in Kanal und unter Putz
- Steckmuffe am Prädiposition oder Split-Rohr oder Siphon Regio Cod. 11126322B
- Kein O-Ringe erforderlich
- UVA-geschütztes Polyethylen
- Muffe Ø 18 / 20 (M/F) alle 52 cm
- Doppelte Außenbeschichtung weiß und innen schwarz Schlauch Ø 20



MADE IN ITALY



For duct and sub-track installations

Resistant to -22°C

Handy central opening for convenient tube extraction

Sleeve Ø 16 / 18 (m/f) every 50 cm

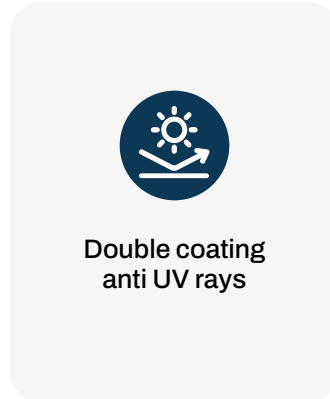
**Details**



Pipe cross-section



Packaging



Double coating  
anti UV rays

CODE	DESCRIPTION	LENGHT	U.M.	Pieces per box	U.M. Pallet
11126345	CONDENSATE DRAIN HOSE Ø20 DUAL-LAYER WHITE OUTSIDE AND BLACK INSIDE-CUFFS Ø18/20	50m ROLL.	PCS	1	40
NEW SCD300097 *	CONDENSATE DRAIN HOSE Ø20 DUAL-LAYER WHITE OUTSIDE AND BLACK INSIDE-CUFFS Ø18/20 - WITHOUT PACKAGING	50m ROLL.	PCS	1	-
SCD300002	CONDENSATE DRAIN HOSE Ø20 DUAL-LAYER WHITE OUTSIDE AND BLACK INSIDE-CUFFS Ø18/20	25m ROLL.	PCS	1	-

[Datasheet](#)



\* Available from March 2025

**CONDENSATE DISCHARGE PIPE Ø 20 WITH DOUBLE COATING - SLEEVES Ø 16/18 AND Ø 18/20, ALTERNATED**

**TECHNICAL SPECIFICATIONS**

- For duct and recessed installations
- Push-fit on built-in installation box or split pipe or Regio siphon Cod. 11126322B
- No need for O-ring
- Anti-UVA polyethylene
- Sleeves Ø16/18 and Ø18/20 (M/F) every 52 cm
- Double white outer coating and inner black tube Ø 20

**TUYAU D'ÉVACUATION DES CONDENSATS Ø 20 À DOUBLE REVÊTEMENT - MANCHONS Ø 16/18 ET Ø 18/20 ALTERNÉS**

**CARACTÉRISTIQUES TECHNIQUES**

- Pour les installations dans conduits et gaines
- Accouplement à pression sur tuyau prédisposé ou fendu ou siphon Regio 11126322B
- Pas besoin de anneau O-ring
- Polyéthylène anti-UVA
- Manchons Ø16/18 et Ø18/20 (M/F) tous les 52 cm
- Double revêtement extérieur blanc et tube noir intérieur Ø 20

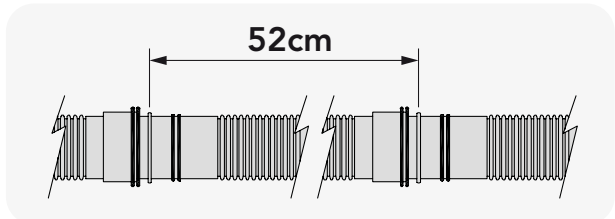
**KONDENSATABLAUFLEITUNG Ø 20 MIT DOPPELTER BESCHÜTTUNG - MUFFEN Ø 16/18 UND Ø 18/20 IM WECHSEL**

**TECHNISCHE EIGENSCHAFTEN**

- Für die Montage in Kanal und unter Putz
- Steckmuffe am Installationsbox oder Split-Rohr oder Siphon Regio Cod. 11126322B
- Kein O-Ringe erforderlich
- UVA-geschütztes Polyethylen
- Muffen Ø16/18 und Ø18/20 (M/F) alle 52 cm
- Doppelte Außenbeschichtung weiß und innen schwarz Schlauch Ø 20



**NEW**



**For duct and recessed installations**

**Handy central opening for convenient tube extraction**

**Sleeve Ø 16 / 18 (m/f) and Ø 18 / 20 (m/f) every 52 cm**

**Resistant to -22°C**

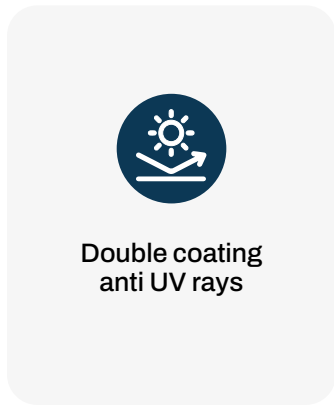
**Details**



Pipe cross-section



Packaging



Double coating anti UV rays

CODE	DESCRIPTION	LENGHT	U.M.	Pieces per box
SCD300086	CONDENSATE DRAIN HOSE Ø20 DUAL-LAYER WHITE OUTSIDE AND BLACK INSIDE-CUFFS Ø16/18 Ø18/20 ALTERNATED	50m ROLL	PCS	1

**Datasheet**



**CONDENSATE DRAIN PIPE  
Ø 18 SINGLE CLADDING -  
SLEEVES Ø 16/18**

**TECHNICAL SPECIFICATIONS**

- For duct installations
- Push-fit for split pipe
- No need for O-ring
- Low density anti-UVA polyethylene
- Sleeve Ø 16 / 18 every 52 cm
- Single white coating

**TUYAU DE DRAINAGE DU  
CONDENSAT Ø 18 SIMPLE  
REVÊTEMENT - MANCHONS  
Ø 16/18**

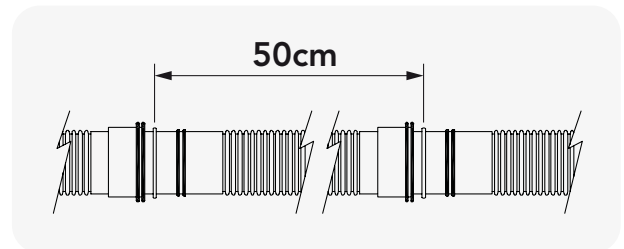
**CARACTÉRISTIQUES TECHNIQUES**

- Pour l'installation dans une gaine
- Accouplement à pression pour tuyau fendu
- Pas besoin de anneau O-ring
- Polyéthylène anti-UVA basse densité
- Manchon Ø 16 / 18 tous les 52 cm
- Revêtement blanc simple

**KONDENSATABLAUFROHR Ø  
18 EINFACHBESCHICHTUNG -  
MUFFEN Ø 16/18**

**TECHNISCHE EIGENSCHAFTEN**

- Für die Montage in Kanal
- Steckmuffe für Split-Rohr
- Kein O-Ringe erforderlich
- UVA-geschütztes Polyethylen mit niedriger Dichte
- Muffe Ø 16 / 18 alle 52 cm
- Einfache weiße Beschichtung



**For duct installations**

**Resistant to -22°C**

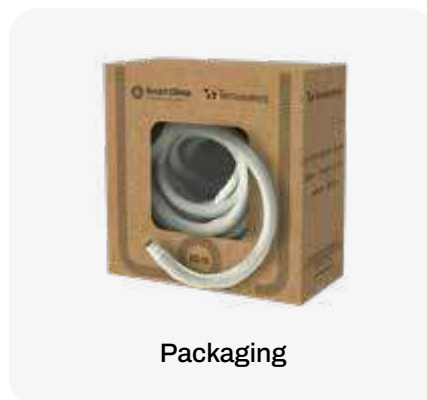
**Handy central opening for convenient tube extraction**

**Sleeve Ø 16 / 18 (m/f) every 50 cm**

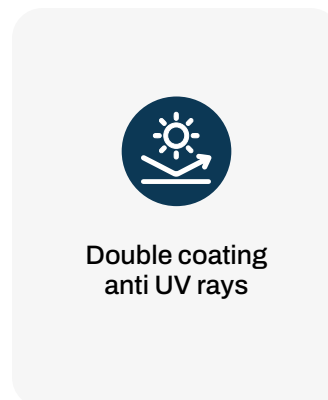
**Details**



Pipe cross-section



Packaging



Double coating  
anti UV rays

CODE	DESCRIPTION	LENGHT	U.M.	Pieces per box	U.M. Pallet
11126316	CONDENSATE DRAIN HOSE FOR TRUNKING Ø 18 SINGLE LAYER WHITE CUFFS Ø 16/18	50m ROLL.	PCS	1	40
<b>NEW</b> SCD300096 *	CONDENSATE DRAIN HOSE FOR TRUNKING Ø 18 SINGLE LAYER WHITE CUFFS Ø 16/18 - WITHOUT PACKAGING	50m ROLL.	PCS	1	-



\* Available from March 2025



**CONDENSATE DISCHARGE PIPE Ø 20 WITH SINGLE COATING - SLEEVES Ø 16/18 AND Ø18/20, ALTERNATED**

**TECHNICAL SPECIFICATIONS**

- For duct installations
- No need for O-ring
- Low density anti-UVA polyethylene
- Sleeve Ø 16/18 and e Ø18/20 alternated every 52 cm
- Single white coating
- Practical central opening for pipe extraction

**TUYAU D'ÉVACUATION DES CONDENSATS Ø 20 À REVÊTEMENT SIMPLE - MANCHONS Ø 16/18 ET Ø 18/20 ALTERNÉS**

**CARACTÉRISTIQUES TECHNIQUES**

- Pour l'installation dans une gaine
- Pas besoin de anneau O-ring
- Polyéthylène anti-UVA basse densité
- Manchon Ø 16/18 et Ø18/20 alternés tous les 52 cm
- Revêtement blanc simple
- Ouverture centrale pratique pour l'extraction du tube

**KONDENSATABLAUFLEITUNG Ø 20 MIT EINFACHER BESCHICHTUNG - MUFFEN Ø 16/18 UND Ø 18/20 IM WECHSEL**

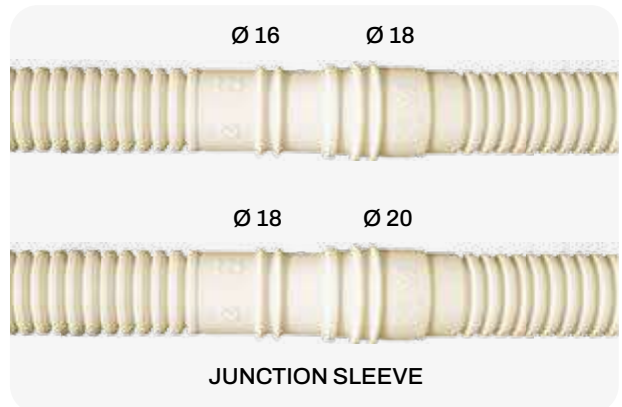
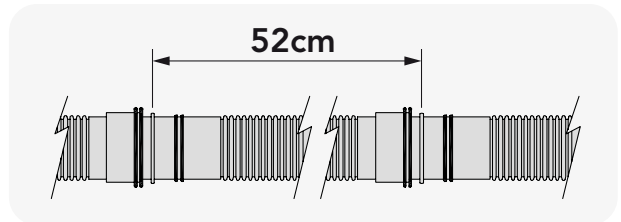
**TECHNISCHE EIGENSCHAFTEN**

- Für die Montage in Kanal
- Kein O-Ringe erforderlich
- UVA-geschütztes Polyethylen mit niedriger Dichte
- Muffe Ø 16/18 und Ø18/20 im Wechsel alle 52 cm
- Einfache weiße Beschichtung
- Bequeme zentrale Öffnung für ein praktisches Herausziehen des Schlauchs

**NEW**



**MADE IN ITALY**



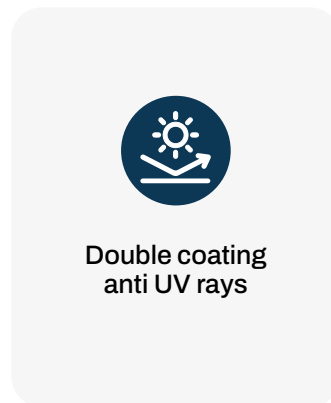
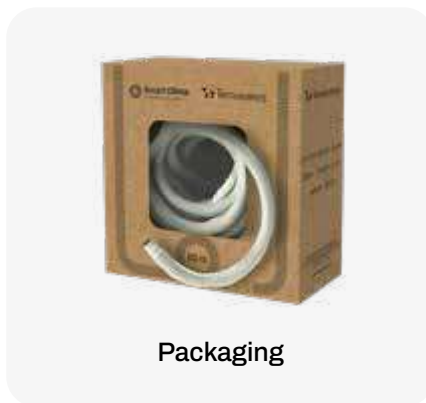
**For duct installations**

**Resistant to -22°C**

**Handy central opening for convenient tube extraction**

**Sleeve Ø 16 / 18 (m/f) and Ø 18 / 20 (m/f) every 52 cm**

**Details**



CODE	DESCRIPTION	LENGHT	U.M.	Pieces per box
SCD300087	CONDENSATE DRAIN HOSE Ø20 SINGLE LAYER - COLOR WHITE -CUFFS Ø16/18 Ø18/20 ALTERNATED	50m ROLL	PCS	1

**Datasheet**



**CONDENSATE DRAIN PIPE Ø 18 SINGLE GRAY CLADDING - SLEEVES Ø 16/18**

**TECHNICAL SPECIFICATIONS**

- For duct installations
- Push-fit for split pipe
- No need for O-ring
- Polyethylene L.D. anti-UVA with 80% recycled material
- Sleeve Ø 16 / 18 every 52 cm
- Single grey coating

**TUYAU DE DRAINAGE DU CONDENSAT Ø 18 SIMPLE GRIS REVÊTEMENT - MANCHONS Ø 16/18**

**CARACTÉRISTIQUES TECHNIQUES**

- Pour l'installation dans une gaine
- Accouplement à pression pour tuyau fendu
- Pas besoin de anneau O-ring
- Polyéthylène L.D. anti-UVA avec 80% matériau recyclé
- Manchon Ø 16 / 18 tous les 52 cm
- Revêtement gris simple

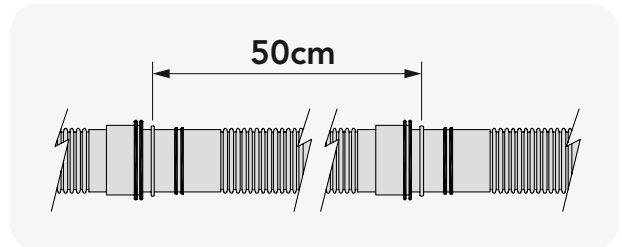
**KONDENSATABLAUFROHR Ø 18 GRAU EINFACHBE-SCHICHTUNG - MUFFEN Ø 16/18**

**TECHNISCHE EIGENSCHAFTEN**

- Für die Montage in Kanal
- Steckmuffe für Split-Rohr
- Kein O-Ringe erforderlich
- Polyethylen L.D. anti-UVA mit 80% recyceltem material
- Muffe Ø 16 / 18 alle 52 cm
- Einfache grau Beschichtung



**MADE IN ITALY**



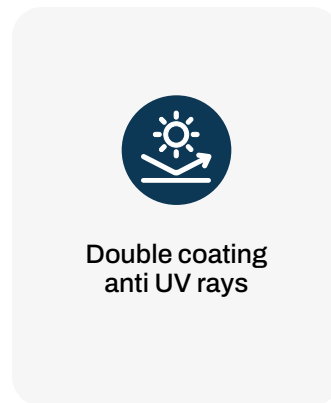
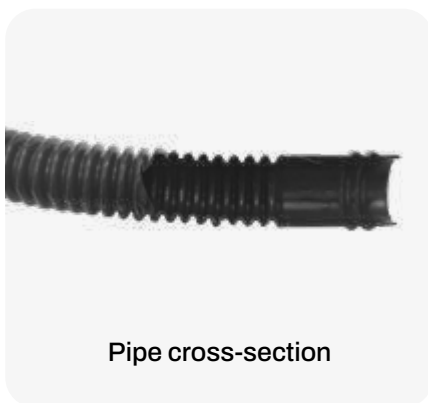
**For duct and sub-track installations**

**Resistant to -22°C**

**Handy central opening for convenient tube extraction**

**Sleeve Ø 16 / 18 (m/f) every 50 cm**

**Details**



CODE	DESCRIPTION	LENGHT	U.M.	Pieces per box
SCD3E0010	CONDENSATE DRAIN PIPE Ø18 SINGLE LAYER - COLOR GREY -CUFF Ø16/18 - ROLL A 50 m	50m	PCS	1



**CONDENSATE DISCHARGE PIPE Ø 20 WITH SINGLE COATING - SLEEVES Ø 16/18 AND 18/20, ALTERNATED**

**TECHNICAL SPECIFICATIONS**

- For duct installations
- No need for O-ring
- 80% anti-UVA recycled low-density polyethylene
- Sleeves Ø 16/18 and Ø 18/20 alternated every 52 cm
- Single grey coating
- Practical central opening for pipe extraction

**TUYAU D'ÉVACUATION DES CONDENSATS Ø 20 À REVÊTEMENT SIMPLE, GRIS - MANCHONS Ø 16/18 ET Ø 18/20 ALTERNÉS**

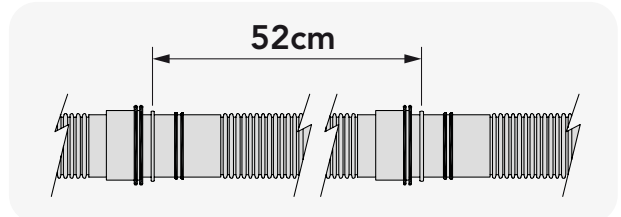
**CARACTÉRISTIQUES TECHNIQUES**

- Pour l'installation dans une gaine
- Pas besoin de anneau O-ring
- Polyéthylène basse densité recyclé à 80 %, anti-UVA
- Manchons Ø 16/18 et Ø 18/20 alternés tous les 52 cm
- Revêtement gris simple
- Ouverture centrale pratique pour l'extraction du tube

**KONDENSATABLAUFLEITUNG Ø 20 MIT EINFACHER GRAUER BESCHICHTUNG - MUFFEN Ø 16/18 UND Ø 18/20 IM WECHSEL**

**TECHNISCHE EIGENSCHAFTEN**

- Für die Montage in Kanal
- Kein O-Ringe erforderlich
- Polyethylen niedriger Dichte, recycelt zu 80% Anti-UVA
- Muffen Ø 16/18 und Ø 18/20 im Wechsel alle 52 cm
- Einfache graue Beschichtung
- Bequeme zentrale Öffnung für ein praktisches Herausziehen des Schlauchs



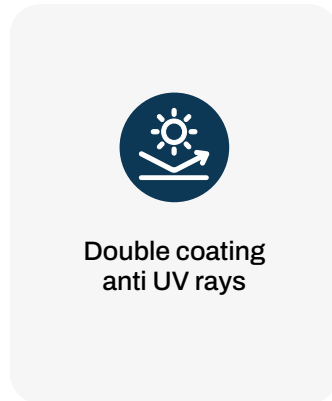
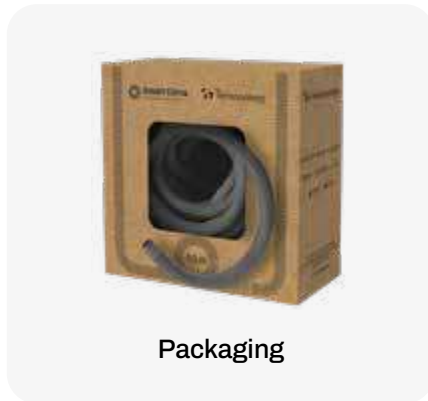
For duct and sub-track installations

Resistant to -22°C

Handy central opening for convenient tube extraction

Sleeve Ø 16 / 18 (m/f) and Ø 18 / 20 (m/f) every 52 cm

**Details**



CODE	DESCRIPTION	LENGHT	U.M.	Pieces per box
SCD300088	CONDENSATE DRAIN HOSE Ø20 SINGLE LAYER - COLOR GREY -CUFFS Ø16/18 Ø18/20 ALTERNATED	50m	PCS	1



**CONDENSATE DRAIN PIPE  
Ø 20 SINGLE CLADDING -  
SLEEVES Ø 18/20**

**TECHNICAL SPECIFICATIONS**

- For duct installations
- No need for O-ring
- Low density anti-UVA polyethylene
- Sleeve Ø 18 / 20 every 52 cm
- Single white coating

**TUYAU DE DRAINAGE DU  
CONDENSAT Ø 20 SIMPLE  
REVÊTEMENT - MANCHONS  
Ø 18/20**

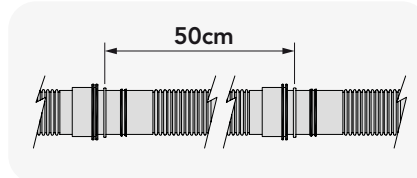
**CARACTÉRISTIQUES TECHNIQUES**

- Pour l'installation dans une gaine
- Pas besoin de anneau O-ring
- Polyéthylène anti-UVA basse densité
- Manchon Ø 18 / 20 tous les 52 cm
- Revêtement blanc simple

**KONDENSATABLAUFROHR Ø  
20 EINFACHBESCHICHTUNG -  
MUFFEN Ø 18/20**

**TECHNISCHE EIGENSCHAFTEN**

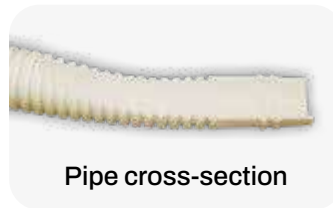
- Für die Montage in Kanal
- Kein O-Ringe erforderlich
- UVA-geschütztes Polyethylen mit niedriger Dichte
- Muffe Ø 18 / 20 alle 52 cm
- Einfache weiße Beschichtung



**Details**

**NEW** \* Available from March 2025

**MADE IN ITALY**



Pipe cross-section



Packaging



CODE	DESCRIPTION	LENGHT	U.M.	Pieces per box	U.M. Pallet
11126320	CONDENSATE DRAIN HOSE FOR TRUNKING Ø 20 SINGLE LAYER WHITE CUFFS Ø 18/20	50m ROLL.	PCS	1	40
<b>NEW</b> SCD300093*	CONDENSATE DRAIN HOSE FOR TRUNKING Ø 20 SINGLE LAYER WHITE CUFFS Ø 18/20 - WITHOUT PACKAGING	50m ROLL.	PCS	1	-

**Datasheet**



**CONDENSATE DRAIN PIPE Ø  
20 SINGLE GRAY CLADDING -  
SLEEVES Ø 18/20**

**TECHNICAL SPECIFICATIONS**

- For duct installations
- No need for O-ring
- Low density anti-UVA polyethylene
- Sleeve Ø 18 / 20 every 52 cm
- Single grey coating

**TUYAU DE DRAINAGE DU  
CONDENSAT Ø 20 SIMPLE  
GRIS REVÊTEMENT -  
MANCHONS Ø 18/20**

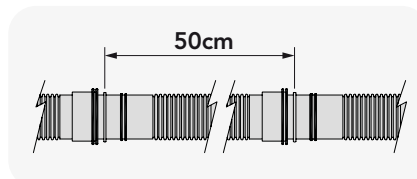
**CARACTÉRISTIQUES TECHNIQUES**

- Pour l'installation dans une gaine
- Pas besoin de anneau O-ring
- Polyéthylène anti-UVA basse densité
- Manchon Ø 18 / 20 tous les 52 cm
- Revêtement gris simple

**KONDENSATABLAUFROHR Ø  
20 EINFACHBESCHICHTUNG -  
MUFFEN Ø 18/20**

**TECHNISCHE EIGENSCHAFTEN**

- Für die Montage in Kanal
- Kein O-Ringe erforderlich
- UVA-geschütztes Polyethylen mit niedriger Dichte
- Muffe Ø 18 / 20 alle 52 cm
- Einfache graue Beschichtung

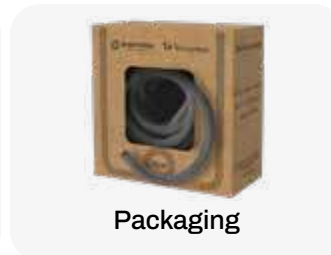


**Details**

**MADE IN ITALY**



Pipe cross-section



Packaging



CODE	DESCRIPTION	LENGHT	U.M.	Pieces per box
SCD3E0011	CONDENSATE DRAIN PIPE Ø20 SINGLE LAYER - COLOR GERY -CUFF Ø18/20-ROLL A 50m	50m	PCS	1

**Datasheet**





**CONDENSATE DRAIN PIPE REINFORCED BY UNDER-TRACT Ø 18 SINGLE CLADDING WITH O-RING**

**TECHNICAL SPECIFICATIONS**

- Suitable for flush installations
- Push-fit on built-in installation box
- Low density anti-UVA polyethylene
- Sleeve Ø 16 - 16 / 18 - 18 every 52 cm
- Roll 50 m
- 30 o-rings supplied
- Single blue coating

**TUYAU DE DRAINAGE DU CONDENSAT RENFORCÉ POUR ENCASTREMENT Ø 18 SIMPLE REVÊTEMENT AVEC ANNEAU EN FORME DE O**

**CARACTÉRISTIQUES TECHNIQUES**

- Pour les installations sous gaine
- Accouplement à pression sur la prédisposition
- Polyéthylène anti-UVA basse densité
- Manchon Ø 16 - 16 / 18 - 18 alternés tous les 52 cm
- Rouleau de 50 m
- 30 anneau en forme de o fournis
- Revêtement bleu simple

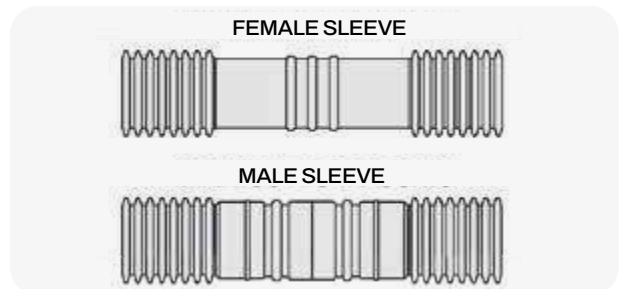
**VERSTÄRKTE KONDENSATABLEITUNG FÜR UNTERFLURVERLEGUNG Ø 18 EINFACHBESCHICHTUNG MIT O-RING**

**TECHNISCHE EIGENSCHAFTEN**

- Für die Unterputzmontage
- Steckmuffe an Prädisposition
- UVA-geschütztes Polyethylen mit niedriger Dichte
- Muffe Ø 16 - 16 / 18 - 18 alle 52 cm
- 50 m Rolle
- 30 O-Ringe im Lieferumfang enthalten
- Einfache weiße Beschichtung

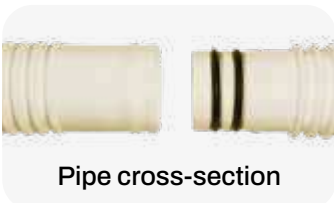


MADE IN ITALY



For split installation box see page.48

**Details**



Pipe cross-section



Packaging



Double coating anti UV rays

Sleeve Ø 16 - 16 / 18 - 18 (m/f) every 50 cm

CODE	DESCRIPTION	LENGHT	U.M.	Pieces per box	U.M. Pallet
11126344T	CONDENSATE DRAIN HOSE Ø 18 FOR CHASING WHITE SINGLE LAYER Ø 16/-18 WITHO-RINGS	50m ROLL.	PCS	1	40

Datasheet



**O-RING FOR CONDENSATE DRAIN PIPE REINFORCED BY SINGLE COATING SUB-TRACK Ø 16 - 18**

**ANNEAU O-RING POUR TUBE CONDENSATS RENFORCÉ Ø 16 - 18 SOUS GAINÉ SIMPLE REVÊTEMENT**

**O-RING FÜR KONDENSATABLEITUNG DURCH EINFACHBESCHICHTUNG VERSTÄRKT FÜR UNTERFLURVERLEGUNG Ø 16 - 18**



Pack of 60 O-rings

CODE	DESCRIPTION	U.M.	Pieces per box
KIT87	SET OF O-RINGS Ø 18 FOR HOSES KIT87	KIT	1

Datasheet





**CONDENSATE DRAIN PIPE REINFORCED BY UNDER-TRACT Ø 20 SINGLE CLADDING WITH O-RING**

**TECHNICAL SPECIFICATIONS**

- Suitable for flush installations
- Push-fit on built-in installation box
- Low density anti-UVA polyethylene
- Sleeve Ø 18 - 18 / 20 - 20 every 52 cm
- 30 o-rings supplied
- Single white coating

**TUYAU DE DRAINAGE DU CONDENSAT RENFORCÉ POUR ENCASTREMENT Ø 20 SIMPLE REVÊTEMENT AVEC ANNEAU O-RING**

**CARACTÉRISTIQUES TECHNIQUES**

- Pour les installations sous gaine
- Accouplement à pression sur la prédisposition
- Polyéthylène anti-UVA basse densité
- Manchon Ø 18 - 18 / 20 - 20 alternés tous les 52 cm
- 30 anneau en forme de o fournis
- Revêtement blanc simple

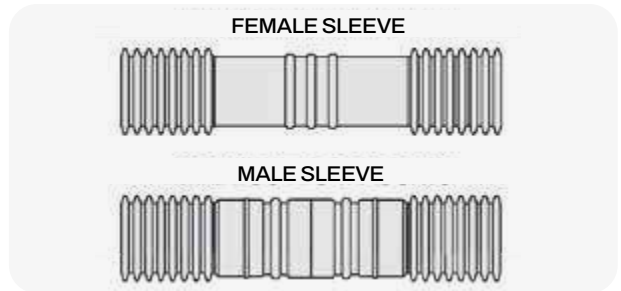
**VERSTÄRKTE KONDENSATABLEITUNG FÜR UNTERFLURVERLEGUNG Ø 20 EINFACHBESCHICHTUNG MIT O-RING**

**TECHNISCHE EIGENSCHAFTEN**

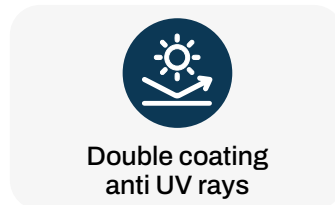
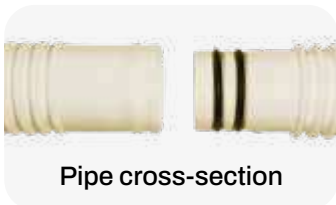
- Für die Unterputzmontage
- Steckmuffe an Prädisposition
- UVA-geschütztes Polyethylen mit niedriger Dichte
- Muffe Ø 18 - 18 / 20 - 20 alle 52 cm
- 30 O-Ringe im Lieferumfang enthalten
- Einfache weiße Beschichtung



MADE IN ITALY



**Details**



Sleeve Ø 18 - 18 / 20 - 20 (m/f) every 50 cm

CODE	DESCRIPTION	LENGHT	U.M.	Pieces per box
11126346T	CONDENSATE DRAIN HOSE Ø 20 FOR CHASING WHITE SINGLE LAYER Ø 18/-20 WITH O-RINGS	50m ROLL.	PCS	1

Datasheet

**O-RING FOR CONDENSATE DRAIN PIPE REINFORCED BY SINGLE COATING SUB-TRACK Ø 18 - 20**

**ANNEAU O-RING POUR TUBE CONDENSATS RENFORCÉ Ø 18 - 20 SOUS GAINÉ SIMPLE REVÊTEMENT**

**O-RING FÜR KONDENSATABLEITUNG DURCH EINFACHBESCHICHTUNG VERSTÄRKT FÜR UNTERFLURVERLEGUNG Ø 18 - 20**



Pack of 60 O-rings

CODE	DESCRIPTION	U.M.	Pieces per box
KIT88	SET OF O-RINGS Ø 20 FOR HOSES KIT88	KIT	1

Datasheet

**BLUE CONDENSATE DRAIN PIPE REINFORCED BY UNDER-TRACK Ø 20 SINGLE CLADDING - SLEEVES Ø 18/20**

**TECHNICAL SPECIFICATIONS**

- Suitable for flush installations
- Push-fit on built-in installation box
- No need for O-ring
- Anti-UVA high-density polyethylene
- Sleeve Ø 18 / 20 every 52 cm
- Ultra-flexible 50m roll or ultra-flexible 25 m mini-roll
- Single blue coating

**TUYAU DE DRAINAGE DU CONDENSAT BLEU RENFORCÉ POUR ENCASTREMENT Ø 20 MONOCOUCHE - MANCHONS Ø 18/20**

**CARACTÉRISTIQUES TECHNIQUES**

- Pour les installations sous gaine
- Accouplement à pression sur la prédisposition
- Pas besoin de anneau O-ring
- Polyéthylène haute densité anti-UVA
- Manchon Ø 18 / 20 tous les 52 cm
- Rouleau de 50 m ultra-flexible ou mini-rouleau de 25 m ultra-flexible
- Revêtement bleu simple

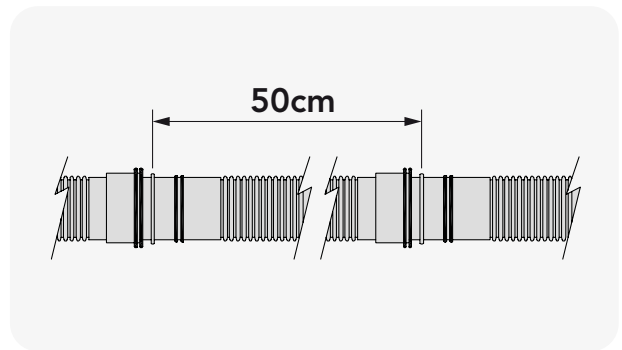
**HELLBLAUE KONDENSATABLETTE VERSTÄRKT FÜR UNTERFLURVERLEGUNG MIT Ø 20 EINFACHBESCHICHTUNG - MUFFEN Ø 18/20**

**TECHNISCHE EIGENSCHAFTEN**

- Für die Unterputzmontage
- Steckmuffe an Prädisposition
- Kein O-Ringe erforderlich
- UVA-geschütztes hochdichtes Polyethylen
- Muffe Ø 18 / 20 alle 52 cm
- Ultraflexible 50-m-Rolle oder ultraflexible 25-m-Mini-Rolle
- Einfache weiße Beschichtung



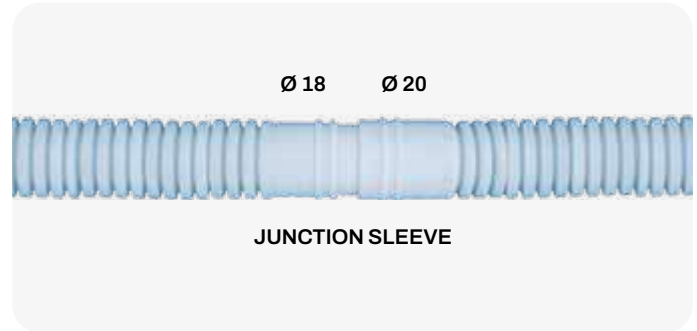
MADE IN ITALY



**Sleeve ø 18 - 18 / 20 - 20 (m/f) every 50 cm**



For split installation box see page. 48



JUNCTION SLEEVE



Double coating anti UV rays

CODE	DESCRIPTION	LENGHT	U.M.	Pieces per box
11126346	BLUE REINFORCED CONDENSATE DRAIN HOSE FOR CHASING Ø 20 SINGLE LAYER CUFFS Ø18/20"	50m ROLL.	PCS	1
NEW SCD300094*	BLUE REINFORCED CONDENSATE DRAIN HOSE FOR CHASING Ø 20 SINGLE LAYER CUFFS Ø18/20" - WITHOUT PACKAGING	50m ROLL.	PCS	1
SCD300003	BLUE REINFORCED CONDENSATE DRAIN HOSE FOR CHASING Ø 20 SINGLE LAYER CUFFS Ø18/20"	25m ROLL.	PCS	1

[Datasheet](#)



\* Available from March 2025

**CONDENSATE DRAIN PIPE DOUBLE INSULATED CLADDING Ø 14 AND Ø 20 FOR UNDER-TRACK AND DUCT INSTALLATION**

**TECHNICAL SPECIFICATIONS**

- Pipe in soft PVC, core in hard PVC, insulation in PE foam
- For duct and flush installations
- Push-fit on built-in installation box
- No need for O-ring
- 6mm insulation
- Double white outer coating and inner black
- Roll 20 m

**TUYAU DE DRAINAGE DU CONDENSAT DOUBLE REVÊTEMENT ISOLÉ Ø 14 AND Ø 20 POUR INSTALLATION INTÉGRÉ ET DANS GOULOTTE**

**CARACTÉRISTIQUES TECHNIQUES**

- Tuyau en PVC souple, âme en PVC dur, isolation en PE expansé
- Pour les installations dans conduits et gaines
- Accouplement à pression sur la prédisposition
- Pas besoin de anneau O-ring
- Isolation de 6 mm
- Double revêtement extérieur blanc et noir intérieur
- Rouleau de 20 m

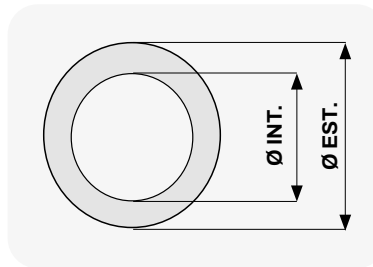
**KONDENSATABLEITUNG MIT DOPPELTER ISOLIERUNG Ø 14 UND Ø 20 FÜR UNTERFLURVERLEGUNG UND IN KANÄLEN**

**TECHNISCHE EIGENSCHAFTEN**

- Weiches PVC-Schlauch, harter PVC-Kern, PE-Schaumisolierung
- Für die Montage in Kanal und unter Putz
- Steckmuffe an Prädiposition
- Kein O-Ringe erforderlich
- 6 mm Dämmung
- Doppelte Außenbeschichtung weiß und innen schwarz
- 20 m Rolle



MADE IN ITALY



CODE	DESCRIPTION	Ø INT. [mm]	Ø EXT. [mm]	U.M.	Pieces per box
11126328	INSULATED CONDENSATE DRAIN HOSE DUAL-LAYER WHITE OUTSIDE BLACK INSIDE Ø14 FOR TRUNKING OR CHASING	14	26	PCS	1
SCC300005	INSULATED CONDENSATE DRAIN HOSE DUAL-LAYER WHITE OUTSIDE BLACK INSIDE Ø20 FOR TRUNKING OR CHASING	20	31	PCS	1

**Datasheet**

**30 M COILED PVC CONDENSATE DRAIN PIPE FOR DUCT INSTALLATION**

**TUYAU DE DRAINAGE DU CONDENSAT EN PVC EN-ROULÉ DE 30 M POUR INSTALLATION DANS GOULOTTE**

**30 M SPIRALFÖRMIGE PVC-KONDENSATABLEITUNG ZUM EINBAU IN KANÄLEN**



MADE IN ITALY

\* Available from March 2025

CODE	DESCRIPTION	LENGHT	U.M.	Pieces per box
<b>NEW</b> SCD300098*	CONDENSATE DRAIN HELIX HOSE SINGLE LAYER Ø 16 FOR INSTALLATION IN A CHASE OR IN TRUNKING (30 MT)	30m ROLL	PCS	1
111263268	CONDENSATE DRAIN HELIX HOSE SINGLE LAYER Ø 18 FOR INSTALLATION IN A CHASE OR IN TRUNKING (30 MT)	30m ROLL	PCS	1
<b>NEW</b> SCD300099*	CONDENSATE DRAIN HELIX HOSE SINGLE LAYER Ø 20 FOR INSTALLATION IN A CHASE OR IN TRUNKING (30 MT)	30m ROLL	PCS	1
SCC300006	CONDENSATE DRAIN HELIX HOSE SINGLE LAYER Ø 25 FOR INSTALLATION IN A CHASE OR IN TRUNKING (30 MT)	30m ROLL	PCS	1
111263274	CONDENSATE DRAIN HELIX HOSE SINGLE LAYER Ø 32 FOR INSTALLATION IN A CHASE OR IN TRUNKING (30 MT)	30m ROLL	PCS	1

**Datasheet**

 2-WAY "Y" FITTING  
Ø 18 - 20

 RACCORD EN "Y"  
À 2 VOIES Ø 18 - 20


 2-WEGE "Y"-AN-  
SCHLUSS Ø 18 - 20

 MADE IN ITALY



Datasheet



CODE	DESCRIPTION	U.M.	 Pieces per box
11126001	2-WAY Y-FITTING Ø 18-20	PCS	10

 2-WAY "Y" FITTING  
Ø 16 - 18

 RACCORD EN "Y"  
À 2 VOIES Ø 16 - 18


 2-WEGE "Y"-AN-  
SCHLUSS Ø 16 - 18

 MADE IN ITALY



Datasheet




CODE	DESCRIPTION	U.M.	 Pieces per box
11126000	2-WAY Y-FITTING Ø 16-18	PCS	10

 3-WAY STRAIGHT  
FITTING Ø 20 - 18  
- 16

 RACCORD DROIT  
À 3 VOIES Ø 20 - 18  
- 16


 3-WEGE-GERADE  
VERSCHRAU-  
BUNG Ø 20 - 18 - 16

 MADE IN ITALY



Datasheet



CODE	DESCRIPTION	U.M.	 Pieces per box
11126003	3-WAY STRAIGHT FITTING Ø 20-18-16	PCS	10

 2-WAY STRAIGHT  
FITTING Ø 20 - 18  
- 16

 RACCORD DROIT  
À 2 VOIES Ø 20 - 18  
- 16

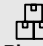
 2-WEGE-GERADE  
VERSCHRAU-  
BUNG Ø 20 - 18 - 16

 MADE IN ITALY



Datasheet




CODE	DESCRIPTION	U.M.	 Pieces per box
11126002	2-WAY STRAIGHT FITTING Ø 20-18-16	PCS	10

 1 WAY STRAIGHT  
FITTING Ø 20 - 18  
- 16

 RACCORD DROIT  
À 1 VOIE Ø 20 - 18  
- 16


 1-WEGE-GERADE  
VERSCHRAU-  
BUNG Ø 20 - 18 - 16

 MADE IN ITALY



Datasheet



CODE	DESCRIPTION	U.M.	 Pieces per box
11126010	1-WAY STRAIGHT FITTING Ø 20-18-16	PCS	10

 "T" PIPE FITTING  
Ø 18 - 20

 RACCORD EN "T"  
POUR TUBE Ø 18  
- 20


 "T"-ROHRAN-  
SCHLUSS Ø 18 - 20

 MADE IN ITALY




Datasheet



CODE	DESCRIPTION	U.M.	 Pieces per box
11126365	T-FITTING FOR HOSE Ø 18-20	PCS	10



 **TWO-WAY "Y" CONNECTION FOR FLEXIBLE CONDENSATE PIPE WITH O-RING**

 **RACCORD EN « Y » DEUX VOIES POUR TUYAU DE CONDENSAT FLEXIBLE AVEC O-RING**


 **ZWEI-WEGE "Y"-VERSCHRAUBUNG FÜR FLEXIBLE KONDENSATLEITUNG MIT O-RING**



  **MADE IN ITALY**

**Complete with 6 sealing O-rings**




CODE	DESCRIPTION	DIAMETER	U.M.	 Pieces per box
11126020	2-WAY "Y" CONNECTOR W/ O-RING FOR FLEXIBLE HOSES Ø 18-18	18 - 18	PCS	10
11126022	2-WAY "Y" CONNECTOR W/ O-RING FOR FLEXIBLE HOSES Ø 20-20	20 - 20	PCS	10

**Datasheet**



 **O-RING FOR CONDENSATE DRAIN PIPE REINFORCED BY SINGLE COATING SUB-TRACK Ø 18 - 20**

 **ANNEAU O-RING POUR TUBE CONDENSATS RENFORCÉ Ø 18 - 20 SOUS GAINE SIMPLE REVÊTEMENT**

 **O-RING FÜR KONDENSATLEITUNG FÜR EINFACH-BESCHICHTUNG VERSTÄRKT FÜR UNTERFLURVERLEGUNG Ø 18 - 20**



  **MADE IN ITALY**


**Pack of 60 gaskets**

CODE	DESCRIPTION	U.M.	 Pieces per box
KIT88	SET OF O-RINGS Ø 20 FOR HOSES KIT88	PCS	15
KIT87	SET OF O-RINGS Ø 18 FOR HOSES KIT87	PCS	15

**Datasheet**



 **CONNECTING SLEEVE FOR FLEXIBLE HOSE / FLEXIBLE HOSE WITH O-RING**

 **MANCHON DE RACCORDEMENT POUR TUBE FLEXIBLE / FLEXIBLE AVEC ANNEAU O-RING**


 **VERBINDUNGSMUFFE FÜR SCHLAUCH / SCHLAUCH MIT O-RING**



  **MADE IN ITALY**

**Complete with 4 sealing O-rings**

Allows to connect the drain pipe from our range at any point (see from page 61 to page 71)


CODE	DESCRIPTION	DIAMETER	U.M.	 Pieces per box
11126030	COUPLING SLEEVE W/ O-RING FOR FLEXIBLE-FLEXIBLE HOSES Ø 18-18	18 - 18	PCS	15
11126032	COUPLING SLEEVE W/ O-RING FOR FLEXIBLE-FLEXIBLE HOSES Ø 20-20	20 - 20	PCS	15

**Datasheet**





 **CONNECTING SLEEVE FOR RIGID FLEXIBLE HOSE WITH O-RING**

 **MANCHON DE RACCORDEMENT POUR TUBE FLEXIBLE RIGIDE AVEC ANNEAU EN FORME DE O**

 **VERBINDUNGSMUFFE FÜR STARREN SCHLAUCH MIT O-RING**




 **MADE IN ITALY**

**Complete with 3 sealing O-rings**

Allows to connect the drain pipe from our range at any point (see pag. 61-71)

**ATTENTION!** Always deburr the rigid pipe to facilitate insertion into the sleeve

CODE	DESCRIPTION	DIAMETER	U.M.	 Pieces per box
11126040	COUPLING SLEEVE W/ O-RING FOR FLEXIBLE-RIGID HOSES Ø 21-18	18 - 18	PCS	115
11126042	COUPLING SLEEVE W/ O-RING FOR FLEXIBLE-RIGID HOSES Ø 21-20	20 - 20	PCS	15

**Datasheet**




 **SLEEVE PREPARATION FOR SPIRAL PVC FLEXIBLE HOSE**

 **MANCHON DE RACCORDEMENT POUR TUBE FLEXIBLE RIGIDE AVEC O-RING**

 **INSTALLATIONSKASTENS-MUFFE FÜR SPIRALFÖRMIG-EN PVC-SCHLAUCH**



Connects the preparation with Ø20 to the spiral PVC flexible pipe

CODE	DESCRIPTION	DIAMETER	U.M.	 Pieces per box
11126052	SLEEVE FOR READY-TO-PLUM BOX AND FLEXIBLE SPIRAL PVS HOSE Ø 20-20	20 - 20	PCS	10
SCC300007	SLEEVE FOR READY-TO-PLUM BOX AND FLEXIBLE SPIRAL PVS HOSE Ø 25-32	20 - 32	PCS	10

**Datasheet**




 **"Y" FITTING**

 **RACCORD EN « Y »**

 **"Y"-VERSCHRAUBUNG**



CODE	DESCRIPTION	DIAMETER	U.M.	 Pieces per box
11126340	Y-FITTING M-M-M Ø16	Ø 16	PCS	10
11126341	Y-FITTING M-M-M Ø20	Ø 20	PCS	10

**Datasheet**




 **REDUCED JOINT Ø 20/16**

 **JOINT RÉDUIT Ø 20/16**

 **REDUZIERTES VERBINDUNGSSTÜCK Ø 20/16**



 **MADE IN ITALY**

CODE	DESCRIPTION	DIAMETER	U.M.	 Pieces per box
11126339	M/M COUPLING Ø 20/16	Ø 16	PCS	10

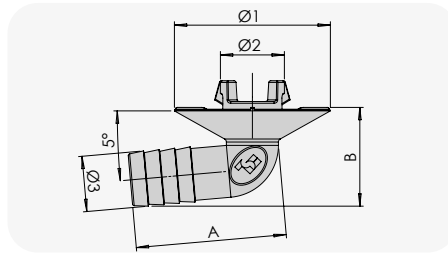
**Datasheet**



 **95° ANGLED WATER DRAIN  
PIPETTE WITH SNAP-ON  
ATTACHMENT**

 **PIPETTE D'ÉVACUATION DES  
CONDENSATS COUDÉE À 95°  
AVEC RACCORD DE PRESSION**


 **KONDENSATABLEITUNGS-  
ROHR IM 95°-WINKEL MIT  
STECKKUPPLUNG**



 **MADE IN ITALY**

[Datasheet](#)

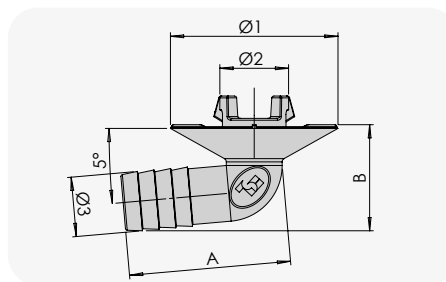


CODE	DESCRIPTION	A [mm]	B [mm]	Ø1 [mm]	Ø2 [mm]	Ø3 [mm]	U.M.	 Pieces per box
SCD300044	CONDENSATE DRAIN PIPETTE, Ø19 MACHING COUPLING, Ø20 PIPE COUPLING	50,2	31,7	45	19	20	PCS	5
SCD300045	CONDENSATE DRAIN PIPETTE, Ø32 MACHINE COUPLING, Ø16 PIPE COUPLING	43,4	28,5	45	32	16	PCS	5
SCD300046	CONDENSATE DRAIN PIPETTE, Ø32 MACHINE COUPLING, Ø20 PIPE COUPLING	50,2	31,7	45	32	20	PCS	5

 **95° ANGLED WATER DRAIN  
PIPETTE KIT WITH SNAP-ON  
ATTACHMENT**

 **KIT PIPETTE DE VIDANGE  
DES CONDENSATS COUDÉE  
À 95° À ENCLÈCHEMENT  
PAR PRESSION**


 **KIT MIT 95° ABGEWINKELTEM  
KONDENSATABLEITUNGS-  
ROHR MIT STECKKUPPLUNG**



 **MADE IN ITALY**

[Datasheet](#)

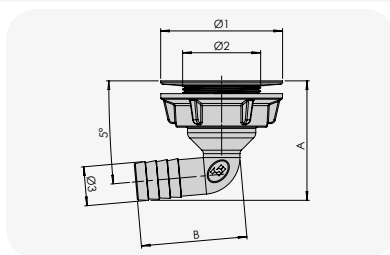


CODE	DESCRIPTION	A [mm]	B [mm]	Ø1 [mm]	Ø2 [mm]	Ø3 [mm]	U.M.	 Pieces per box
SCD300047	KIT FOR CONDENSATE DRAIN PIPETTE, Ø19 MACHINE COUPLING, Ø16 PIPE COUPLING	43,4	28,5	45	19	16	KIT	5
SCD300048	KIT FOR CONDENSATE DRAIN PIPETTE, Ø19 MACHINE COUPLING, Ø20 PIPE COUPLING	50,2	31,7	45	19	20	KIT	5
SCD300059	KIT FOR CONDENSATE DRAIN PIPETTE, Ø32 MACHINE COUPLING, Ø16 PIPE COUPLING	43,4	28,5	45	32	16	KIT	5
SCD300060	KIT FOR CONDENSATE DRAIN PIPETTE, Ø32 MACHINE COUPLING, Ø20 PIPE COUPLING	50,2	31,7	45	32	20	KIT	5

 **95° ANGLE CONDENSATE  
DRAIN PLUG WITH THREADED  
COLLAR CONNECTION Ø32**

 **PIPETTE D'ÉVACUATION DES  
CONDENSATS COUDÉE À  
95° AVEC RACCORD DE FIXA-  
TION À BAGUE FILETÉE Ø32**


 **UNTERPUTZMONTAGE IM  
95°-WINKEL MIT GEWINDERIN-  
GBEFESTIGUNG Ø32**





 **MADE IN ITALY**

[Datasheet](#)

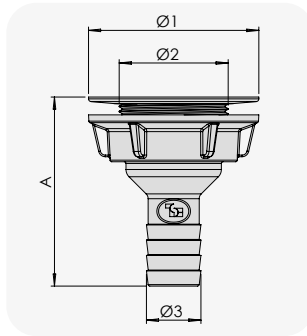


CODE	DESCRIPTION	A [mm]	B [mm]	Ø1 [mm]	Ø2 [mm]	Ø3 [mm]	U.M.	 Pieces per box
SCD300040	CONDENSATE DRAIN PIPETTE WITH Ø32 FIXING RING, Ø16 PIPE COUPLING	49	43,4	50	32	16	PCS	5
SCD300041	CONDENSATE DRAIN PIPETTE WITH Ø32 FIXING RING, Ø20 PIPE COUPLING	52,2	50,2	50	32	20	PCS	5
SCD300042	CONDENSATE DRAIN PIPETTE WITH Ø32 FIXING RING, Ø25 PIPE COUPLING	56	57,8	50	32	25	PCS	5

 **CONDENSATE DRAIN PLUG WITH THREADED COLLAR CONNECTION Ø32 DRAIN Ø16 - Ø20 - Ø25**

 **PIPETTE D'ÉVACUATION DES CONDENSATS AVEC RACCORD DE FIXATION À BAGUE FILETÉE Ø32 VIDANGE Ø16 - Ø20 - Ø25**

 **UNTERPUTZMONTAGE MIT GEWINDRINGBEFESTIGUNG Ø32 ANSCHLUSS Ø16 - Ø20 - Ø25 ABLAUF**



 **MADE IN ITALY**

**Datasheet**

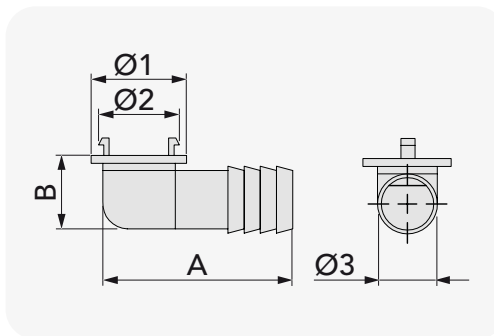


CODE	DESCRIPTION	A [mm]	Ø1 [mm]	Ø2 [mm]	Ø3 [mm]	U.M.	Pieces per box
SCD300037	CONDENSATE DRAIN PIPETTE WITH Ø32 FIXING RING, Ø16 PIPE COUPLING	55,5	50	32	16	PCS	5
SCD300038	CONDENSATE DRAIN PIPETTE WITH Ø32 FIXING RING, Ø20 PIPE COUPLING	56,5	50	32	20	PCS	5
SCD300039	CONDENSATE DRAIN PIPETTE WITH Ø32 FIXING RING, Ø25 PIPE COUPLING	57,5	50	32	25	PCS	5

 **SMALL CONDENSATE COLLECTION PIPETTE KIT WITH O-RING**

 **KIT PIPETTE PETITE POUR COLLECTE CONDENSAT AVEC ANNEAU O-RING**

 **KLEINER PIPETTENSATZ FÜR DIE KONDENSATSAMMLUNG MIT O-RING**



**Datasheet**

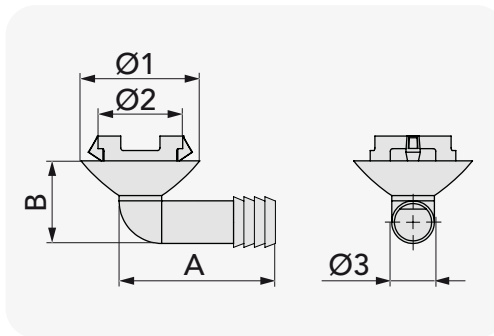


CODE	DESCRIPTION	A [mm]	B [mm]	Ø1 [mm]	Ø2 [mm]	Ø3 [mm]	U.M.	Pieces per box
11126362	SMALL CONDENSATE DRIP FUNNEL KIT WITH SEALS	44	22	28	18	16	KIT	1

 **LARGE CONDENSATE COLLECTION PIPETTE**

 **GRANDE PIPETTE DE COLLECTE DE CONDENSAT**

 **GROSSE KONDENSATSAMMELPIPETTE**



**Datasheet**



CODE	DESCRIPTION	A [mm]	B [mm]	Ø1 [mm]	Ø2 [mm]	Ø3 [mm]	U.M.	Pieces per box
11126004	LARGE CONDENSATE DRIP FUNNEL	43	30	45	32	16	PCS	10

🇬🇧 JOINT M/M

🇮🇹 JOINT M/M

🇩🇪 VERBINDUNGSTÜCK M/M



MADE IN ITALY

Suitable for the connection of condensate drain pipes.

Datasheet



CODE	DESCRIPTION	Ø [mm]	SUITABLE WITH ITEMS	U.M.	Pieces per box
11126354	M/M COUPLING Ø14	14	11126316 + 11126344T	PCS	10
11126355	M/M COUPLING Ø16	16	11126320 + 11126326 + 11126346	PCS	10
11126359	MM COUPLING Ø20	20	11126327	PCS	10

M.T.G.

MADE IN ITALY

🇬🇧 ADAPTER SLEEVE M.T.G.

🇮🇹 MANCHON ADAPTATEUR M.T.G.

🇩🇪 ADAPTERHÜLSE



MADE IN ITALY

Sleeve for joining the flexible drain pipes Ø16/18/20/25 with rigid pipes Ø32/36/40.

To be installed vertically with the gasket on top.

Datasheet

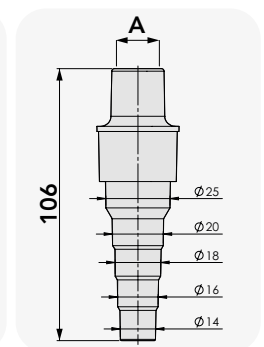
CODE	DESCRIPTION	U.M.	Pieces per box
11126353	SLEEVE M.T.G.	PCS	10



🇬🇧 STRAIGHT FITTING FOR HOSE Ø16 - 18 - 20 - 22 - 25 - 32 - 40

🇮🇹 RACCORD DROIT POUR TUBE Ø16 - 18 - 20 - 22 - 25 - 32 - 40

🇩🇪 GERADER ANSCHLUSS FÜR ROHRE Ø16 - 18 - 20 - 22 - 25 - 32 - 40



CODE	DESCRIPTION	COLOUR	A INT. [mm]	U.M.	Pieces per box
SCD300008	STRAIGHT FITTINGS FOR HOSES Ø 16	YELLOW	16	PCS	5
SCD300009	STRAIGHT FITTINGS FOR HOSES Ø 18	RED	18	PCS	5
SCD300010	STRAIGHT FITTINGS FOR HOSES Ø 20/21	BLUE	20/21	PCS	5
SCD300015	STRAIGHT FITTINGS FOR HOSES Ø 22	ORANGE	22	PCS	5
SCD300011	STRAIGHT FITTINGS FOR HOSES Ø 25	GREEN	25	PCS	5
SCD300012	STRAIGHT FITTINGS FOR HOSES Ø 32	GREY	32	PCS	5
SCD300013	STRAIGHT FITTINGS FOR HOSES Ø 40	LIGHT BLUE	40	PCS	5

MADE IN ITALY

Datasheet



# TCR-21 / TCR-25 / TCR-32

MADE IN ITALY



## RIGID CONDENSATE DRAIN PIPE

### TECHNICAL SPECIFICATIONS

- Shockproof and anti-UVA PVC
- Anti-condensation
- Thickness 2 mm
- Accessories with internal O-rings

## TUYAU DE DRAINAGE SU CONDENSAT RIGIDE TCR-21 / TCR-25 / TCR-32

### CARACTÉRISTIQUES TECHNIQUES

- PVC antichoc et anti-UVA
- Anti-condensation
- Épaisseur 2 mm
- Accessoires avec anneau en forme de o

## KONDENSATROHR

### TECHNISCHE EIGENSCHAFTEN

- Stoßfestes und UVA-geschütztes-PVC
- Kondensation-Schutz
- Stärke 2 mm
- Zubehör mit internen O-Ringen



TCR-32

TCR-25

TCR-21



Anti-condensation

Available in 2m bars

ATTENTION! Always deburr the rigid pipe to facilitate insertion of the accessory.



Recommended for air conditioners and condensing boilers for the transport of condensing water.

CODE	DESCRIPTION	Ø INT. [mm]	Ø EXT. [mm]	U.M.	Pieces per box
11126324	RIGID CONDENSATE DRAIN PIPE TCR-21	17	21	PCS	25
SCD300034	RIGID CONDENSATE DRAIN PIPE TCR-32 (pack 12 pcs)	28	32	PCS	12
SCD300016	RIGID CONDENSATE DRAIN PIPE TCR-25	21	25	PCS	25

Datasheet



## GLUE FOR RIGID CONDENSATE DRAIN PIPE

## COLLE POUR TUYAU DE VINDANGE DES CONDENSATS RIGIDE

## KLEBSTOFF FÜR STARRE KONDENSATROHRE



Glue for pipes and joints in stiff PVC.  
Content 125 gr.

CODE	DESCRIPTION	U.M.	Pieces per box
11126315	GLUE FOR RIGID CONDENSATE DRAIN PIPE (gr.125)	PCS	1

Datasheet





## MG

 MADE IN ITALY



 COUPLING SLEEVE

 MANCHON DE  
RACCORDEMENT

 ANSCHLUSSMUFFE



CODE	DESCRIPTION	U.M.	 Pieces per box
11126313	COUPLING SLEEVE "MG" FOR TCR-21	PCS	20
SCD300017	COUPLING SLEEVE "MG" FOR TCR-25	PCS	20
11126393	COUPLING SLEEVE "MG" FOR TCR32	PCS	20

Datasheet



## CA 45°

 MADE IN ITALY




 CURVE ANGLE 45°

 COUDE À 45°

 WINKELKURVE 45°



CODE	DESCRIPTION	U.M.	 Pieces per box
11126310	ELBOW "CA 45°" FOR TCR21	PCS	20
SCD300018	ELBOW "CA 45°" FOR TCR25	PCS	20
11126391	ELBOW "CA 45°" FOR TCR32	PCS	20

Datasheet



## CA 90°

 MADE IN ITALY




 CURVE ANGLE 90°

 COUDE À 90°

 WINKELKURVE 90°



CODE	DESCRIPTION	U.M.	 Pieces per box
11126311	ELBOW "CA 90°" FOR TCR21	PCS	20
SCD300019	ELBOW "CA 90°" FOR TCR25	PCS	20
11126392	ELBOW "CA 90°" FOR TCR32	PCS	20

Datasheet



## DT

 MADE IN ITALY




 T JOINT SLEEVE

 DÉRIVATION

 ABLEITUNG



CODE	DESCRIPTION	U.M.	 Pieces per box
11126312	T-BRANCH "DT" FOR TCR21	PCS	20
SCD300020	T-BRANCH "DT" FOR TCR25	PCS	20
11126394	T-BRANCH "DT" FOR TCR32	PCS	20

Datasheet



## CF

   
MADE IN ITALY

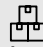


 FIXING CLIPS

 CLIPS DE FIXATION

 BEFESTIGUNGS-  
CLIP



CODE	DESCRIPTION	U.M.	 Pieces per box
11126317	FASTENING CLIPS FOR TCR 21	PCS	100
SCD300021	FASTENING CLIPS FOR TCR 25	PCS	100
11126396	FASTENING CLIPS FOR TCR -21	PCS	100

Datasheet



## MP

   
MADE IN ITALY

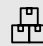


 SLEEVE PREPARATION

 MANCHON PRÉDISPOSITION

 VOREINSTELLMUFFE



CODE	DESCRIPTION	U.M.	 Pieces per box
11126314	READY-TO-PLUMB ENCLOSURE SLEEVE "MP"	PCS	20

Datasheet



## RD

   
MADE IN ITALY

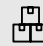


 REDUCTION

 RÉDUCTION

 REDUKTIONSTÜCK



CODE	DESCRIPTION	U.M.	 Pieces per box
11126395	REDUCER "TCR-21" / "TCR-32"	PCS	20
SCD300022	REDUCER "TCR-32" / "TCR-252"	PCS	20
SCD300023	REDUCER "TCR-25" / "TCR-21"	PCS	20

Datasheet



# TCR-21 ECO

MADE IN ITALY



## RIGID CONDENSATE DRAIN PIPE

### TECHNICAL SPECIFICATIONS

- Shockproof and anti-UVA PVC
- Anti-condensation
- Thickness 2 mm
- Accessories with internal O-rings

## TUYAU DE DRAINAGE SU CONDENSAT RIGIDE TCR-21 / TCR-25 / TCR-32

### CARACTÉRISTIQUES TECHNIQUES

- PVC antichoc et anti-UVA
- Anti-condensation
- Épaisseur 2 mm
- Accessoires avec anneau en forme de o

## STARRE KONDENSATROHR

### TECHNISCHE EIGENSCHAFTEN

- Stoßfestes und UVA-geschütztes-PVC
- Kondensation-Schutz
- Stärke 2 mm
- Zubehör mit internen O-Ringen



Anti-condensation

Available in 2m bars



**ATTENTION!** Always deburr the rigid pipe to facilitate insertion of the accessory.

Recommended for air conditioners and condensing boilers for the transport of condensing water.

Datasheet

CODE	DESCRIPTION	Ø INT. [mm]	Ø EXT. [mm]	U.M.	Pieces per box
SCD3E0001	HARD CONDENSATE DRAIN PIPE TCR-21 ECO BLACK	17	21	PCS	25



## GLUE FOR RIGID CONDENSATE DRAIN PIPE

## COLLE POUR TUYAU DE VIDANGE DES CONDENSATS RIGIDE

## KLEBSTOFF FÜR STARRE KONDENSATROHR



Glue for pipes and joints in stiff PVC.  
Content 125 gr.

CODE	DESCRIPTION	U.M.	Pieces per box
11126315	GLUE FOR RIGID CONDENSATE DRAIN PIPE gr.125)	PCS	1

Datasheet



# ACCESSORIES FOR RIGID CONDENSATE DRAIN PIPE

The accessories for the rigid condensate drain pipes are made of white shockproof, self-extinguishing and uva-ray stabilised pvc. They are equipped with an innovative conical joint system in combination with the gasket, which guarantees the perfect seal between the pipe and the accessory and speeds up installation. Its remarkable robustness and high insulating capacities also make it particularly suitable for concealed installations. Available in a minimum pack of 20 pcs.



## CA 45° ECO



- CURVE ANGLE 45° BLACK
- COUDE À 45° NOIR
- WINKELKURVE 45° SCHWARZ

CODE	DESCRIPTION	U.M.	Pieces per box	Datasheet
SCD3E0003	ELBOW "CA 45° ECO" FOR TCR-21 - BLACK	PCS	20	

## CA 90° ECO



- CURVE ANGLE 90° BLACK
- COUDE À 90° NOIR
- WINKELKURVE 90° SCHWARZ

CODE	DESCRIPTION	U.M.	Pieces per box	Datasheet
SCD3E0004	ELBOW "CA 90° ECO" FOR TCR-21 - BLACK	PCS	20	

## MP



- BLACK SHUNT
- DÉRIVATION NOIRE
- SCHWARZE ABLEITUNG

CODE	DESCRIPTION	U.M.	Pieces per box	Datasheet
SCD3E0005	T-BRANCH "DT ECO" FOR TCR-21 - BLACK	PCS	20	

## CF ECO



- BLACK FIXING CLIPS
- CLIPS DE FIXATION NOIRS
- BEFESTIGUNGS-CLIP

CODE	DESCRIPTION	U.M.	Pieces per box	Datasheet
SCD3E0006	FASTENING CLIPS "CF ECO" FOR TCR-21 - BLACK	PCS	20	

## MG ECO

COUPLING SLEEVE, BLACK

MANCHON DE RACCORDEMENT NOIR

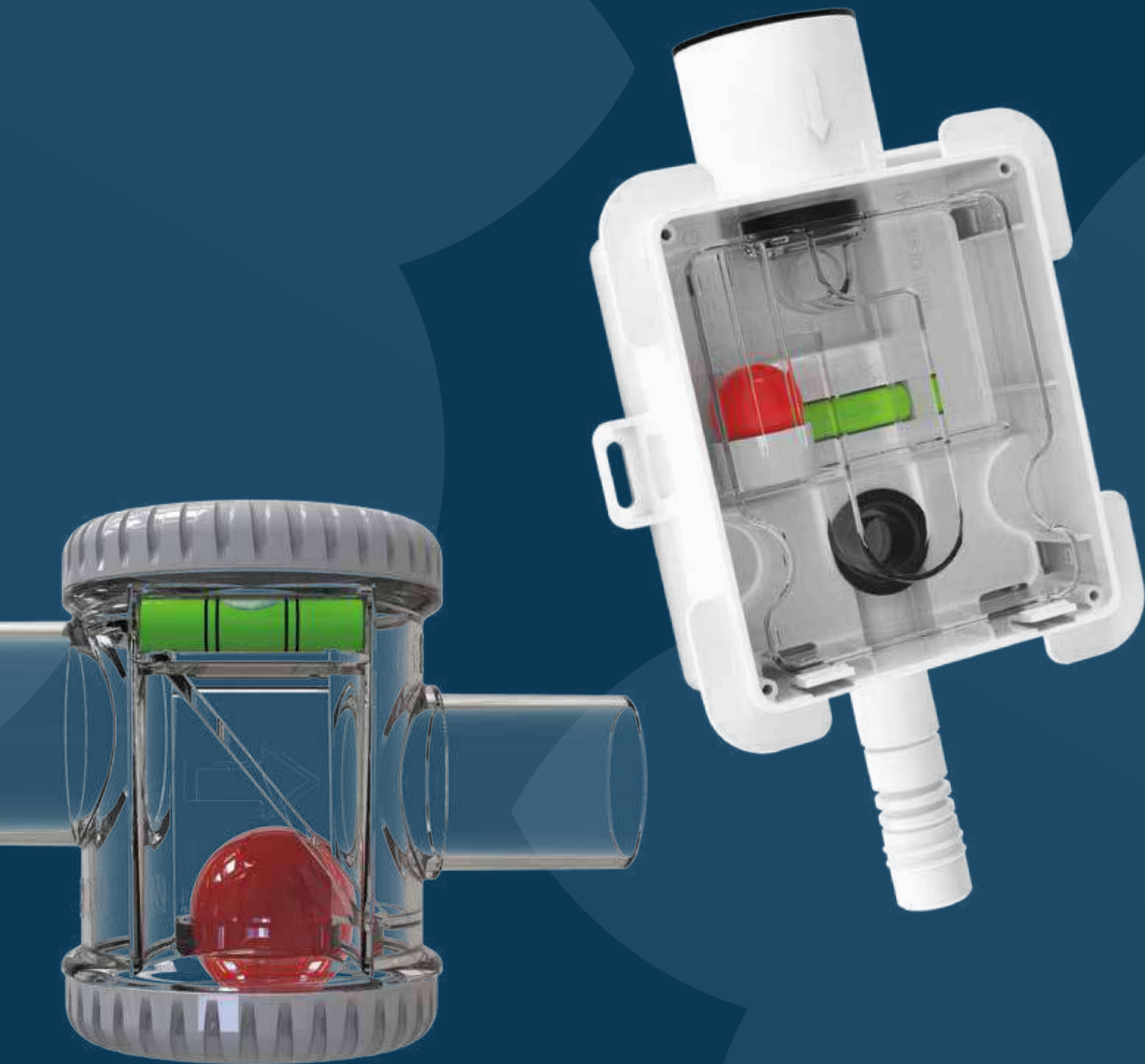
ANSCHLUSSMUFFE SCHWARZ



CODE	DESCRIPTION	U.M.	Pieces per box	Datasheet
SCD3E0002	COUPLING SLEEVE "MG ECO" FOR TCR-21 - BLACK	PCS	20	



# DRY SIPHON ANTI-ODOUR





**DRY SIPHON ANTI-ODOUR TRANSPARENT AND REMOVABLE WITH AESTHETIC LID**

**TECHNICAL SPECIFICATIONS**

- Eliminates issues of bad odours.
- For wall or vertical sub-track installation.
- Transparent and removable siphon for inspection and maintenance
- Building site cover for plaster protection
- Removable cosmetic cover for access to siphon body.
- External ridge for installation flush with unfinished wall.
- Cover designed for fastening with screws.
- Pipe inlet dimensions: from Ø 16 to Ø 28
- Built-in spirit level
- Pipe outlet coupling for codes: 11126345 - 11126346 - 11126327 - 11126324 - 11126346t (with gasket).
- Pipes Ø 40 - 36 - 32 - 28 with the "MTG" adapter sleeve accessory can be connected (11126353).
- With MG - TCR - 21 joint sleeve accessory (cod. 11126313) it is possible to connect a TCR-21 rigid condensate pipe (cod. 11126324).

**SIPHON À SEC ANTI-ODEUR TRANSPARENT ET AMOVIBLE AVEC COUVERCLE ESTHÉTIQUE**

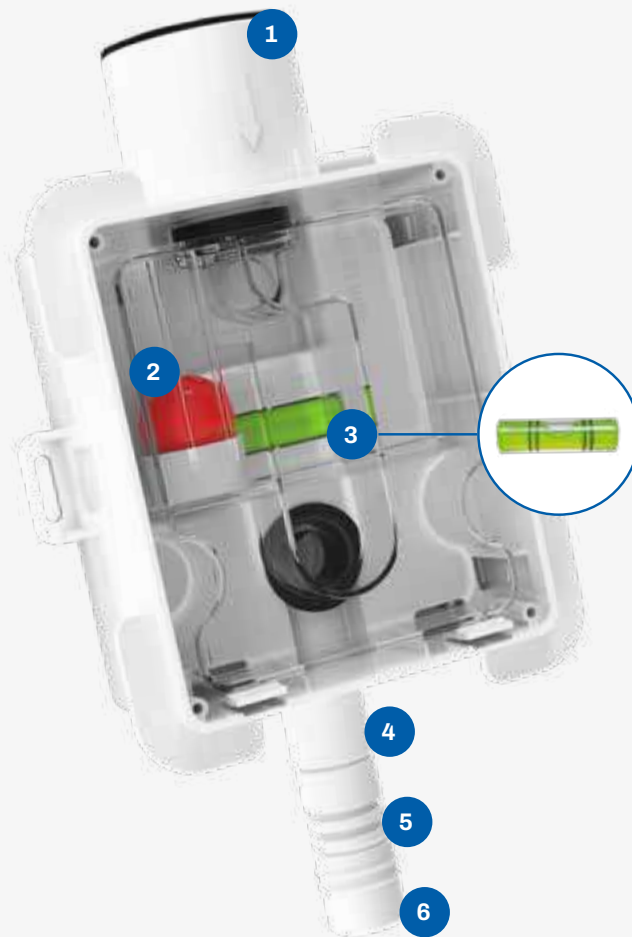
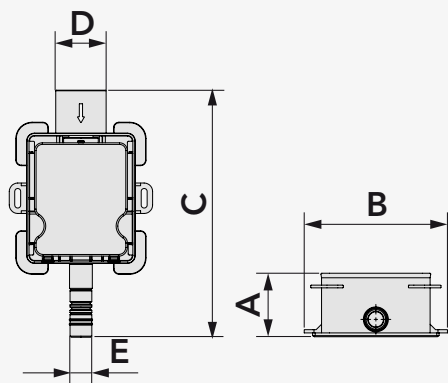
**CARACTÉRISTIQUES TECHNIQUES**

- Élimine le problème des mauvaises odeurs.
- À installer verticalement au mur ou à encastrer.
- Corps de siphon transparent pour l'inspection et amovible pour l'entretien.
- Couvercle de chantier pour la protection contre le plâtre.
- Couvercle esthétique amovible pour l'accès au corps du siphon.
- Butée externe pour l'installation affleurant le mur rugueux.
- Couvercle conçu pour être fixé avec des vis.
- Dimensions d'entrée du tuyau : de Ø 16 à Ø 28
- Bulle intégrée
- Raccord de sortie de tuyau pour les codes : 11126345 - 11126346 - 11126327 - 11126324 - 11126346t (avec joint).
- Il est possible de raccorder les tuyaux Ø 40 - 36 - 32 - 28 avec l'accessoire de manchon adaptateur « mtg » (11126353).
- Avec l'accessoire de manchon articulé MG - TCR - 21 (code 11126313) il est possible de raccorder le tuyau de condensat rigide TCR-21 (code 11126324).

**TROCKENSIPHON GERUCH-SHEMMEND TRANSPARENT UND ABNEHMBAR MIT ÄS-THETISCHEM DECKEL**

**TECHNISCHE EIGENSCHAFTEN**

- Beseitigt das Problem von schlechten Gerüchen.
- Vertikal an der Wand oder unter Putz zu montieren.
- Transparentes Siphongehäuse zur Inspektion und abnehmbar zur Wartung.
- Baustellenabdeckung zum Schutz vor Putz.
- Herausziehbare ästhetische Abdeckung für den Zugang zum Siphonkörper.
- Externer Anschlag für die bündige Montage an der unbearbeiteten Wand
- Abdeckung, vorbereitet zur Befestigung mit Schrauben.
- Rohreinlassabmessungen: von Ø 16 bis Ø 28
- Eingebaute Libelle
- Rohrauslassanschluss für die Codes: 11126345 - 11126346 - 11126327 - 11126324 - 11126346t (mit Dichtung).
- Die Rohre Ø 40 - 36 - 32 - 28 können mit dem Zubehör "mtg"-Adaptermuffe (11126353) angeschlossen werden.
- Mit der als Zubehör erhältlichen Verbindungsmuffe MG - TCR - 21 (Cod. 11126313) kann der starre Kondensatschlauch TCR-21 angeschlossen werden (Cod. 11126324).




1. For pipes from Ø 16 up to Ø 40
2. With anti-odour ball
3. Built-in spirit level
4. For TCR 21 cod. 11126324 condensation drain pipe with MG JOINT SLEEVE - TCR 21 cod. 11126313
5. For 18/20 pipe with O-ring cod. 11126346t
6. For 18/20 pipe cod. 11126345 - 11126346


DIMENSIONS [mm]				
A	B	C	D	E
55	120	230	46,5	21

# INSTALLATION

- 1** Make a wall niche to install the siphon and the condensate
- 2** Put the siphon into the wall niche
- 3** Lay the outside edges on the bricks taking into account the thickness of the plaster
- 4** Connect the pipes. Check horizontal level
- 5** Plaster the wall niche
- 6** Protect the siphon by applying the protection cover
- 7** Apply the mortar, apply the plaster, and paint the wall
- 8** Insert the aesthetic cover
- 9** Press the tabs downwards and remove the siphon. Tilt the siphon, insert it into the niche and press it till the tabs go up




**Available in dispenser of 8 pcs**




**"M.t.g." joint sleeve See at pag. 78**


**Play video**




**Virtual reality**



**Datasheet**



CODE	DESCRIPTION	U.M.	 Pieces per box	 U.M. Pallet
11126322B	CLEAR REMOVABLE ODOUR-STOP WATERLESS TRAP "REGIO" WITH ATTRACTIVE COVER	PCS	1	384

**DRY HORIZONTAL ANTI-ODOUR TRANSPARENT INSPECTABLE SIPHON Ø 21 - Ø 25 - Ø 32 - Ø 40 - Ø 50**

**TECHNICAL SPECIFICATIONS**

- Body made of high-strength transparent plastic.
- Stoppers made of polyethylene with O-ring seals.
- Eliminates issues of bad odours.
- Suitable for horizontal wall or false ceiling installations.
- Double inspection for on-site cleaning.
- Spirit level supplied.
- Available for pipes with diameters Ø 21 - 25 - 32 - 40 - 50

**SIPHON À SEC HORIZONTAL ANTI-ODEURS TRANSPARENT POUVANT ÊTRE INSPECTÉ Ø 21 - Ø 25 - Ø 32 - Ø 40 - Ø 50**

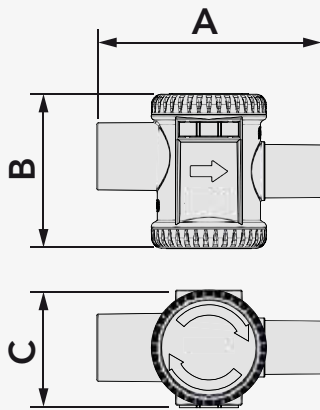
**CARACTÉRISTIQUES TECHNIQUES**

- Corps en matière plastique transparente à haute résistance.
- Bouchons en polyéthylène avec anneau en forme de O d'étanchéité.
- Élimine le problème des mauvaises odeurs.
- Convient pour les installations sur des murs horizontaux ou de faux-plafonds.
- Double inspection pour le nettoyage sur place.
- Bulle de nivellement fournie.
- Disponible pour les tuyaux de diamètre Ø 21 - 25 - 32 - 40 - 50

**TROCKENSIPHON HORIZONTAL GERUCHSHEMMEND TRANSPARENT INSPIZIERBAR Ø 21 - Ø 25 - Ø 32 - Ø 40 - Ø 50**

**TECHNISCHE EIGENSCHAFTEN**

- Gehäuse aus transparentem Kunststoff.
- Stopfen aus Polyethylen mit Dichtungs-O-Ringen.
- Beseitigt das Problem von schlechten Gerüchen.
- Geeignet für horizontale Wand- oder Zwischendeckenmontage.
- Doppelinspektion zur Vor-Ort-Reinigung.
- Libelle zur Nivellierung im Lieferumfang enthalten.
- Verfügbar für Rohre mit Durchmesser Ø 21 - 25 - 32 - 40 - 50



Virtual reality



UPPER INSPECTABLE CAP

SEALING GASKET

INLET

BODY MADE OF HIGH-STRENGTH TRANSPARENT PLASTIC

SEALING GASKET

PATENTED MODEL

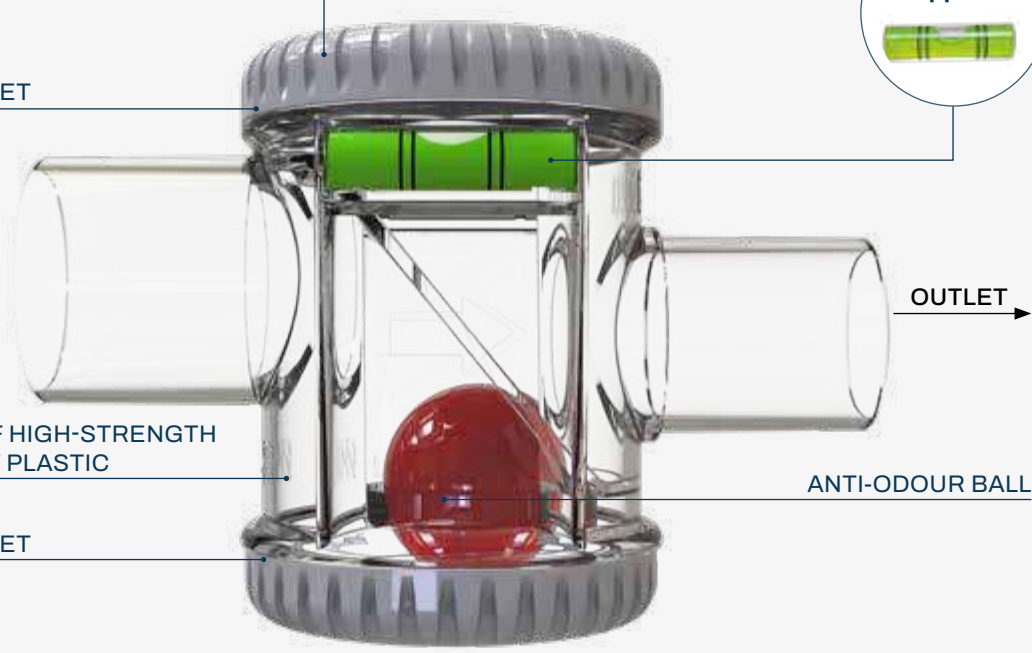
Spirit level supplied

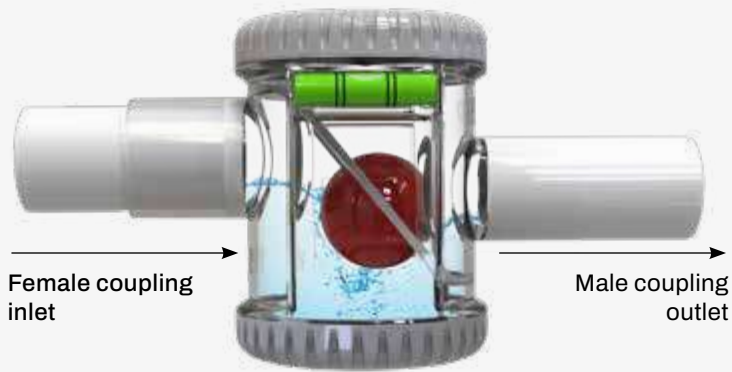


OUTLET

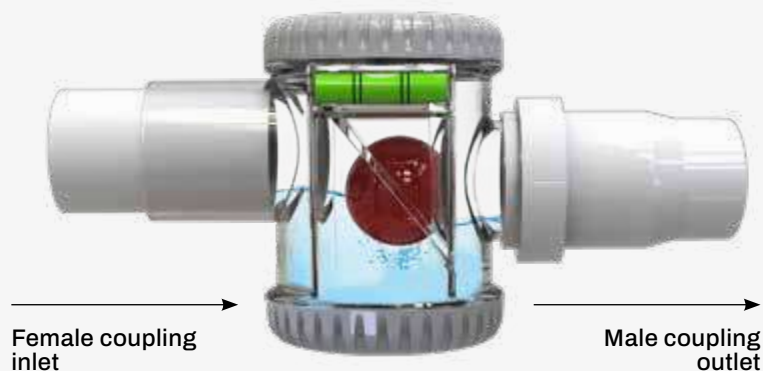
ANTI-ODOUR BALL

INSPECTABLE UPPER CAP





Example: female coupling - male outlet for pipes Ø 21-25-32

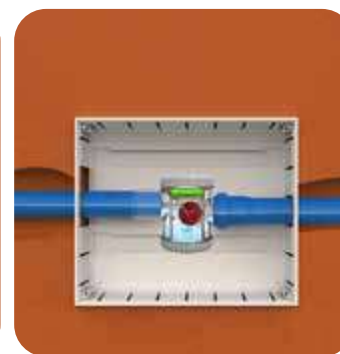
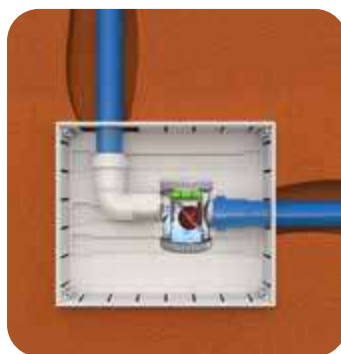


Example: female coupling - male cup outlet with gaskets for pipes Ø 40-50

## PIPES' RANGE



## INSTALLATION EXAMPLES



**ATTENTION:** the recessed box is not included in the price of the siphon.

CODE	DESCRIPTION	DIMENSIONS [mm]			PIPE CONNECTION	U.M.	Pieces per box	U.M. Pallet
		A	B	C				
SCD300004	CLEAR ANTI-ODOUR HORIZONTAL DRY SYPHON INSPECTABLE "SIPHON STOP" 21	124	105	78	Ø21	PCS	1	480
SCD300005	CLEAR ANTI-ODOUR HORIZONTAL DRY SYPHON INSPECTABLE "SIPHON STOP" 25	133	105	78	Ø25	PCS	1	480
SCD300006	CLEAR ANTI-ODOUR HORIZONTAL DRY SYPHON INSPECTABLE "SIPHON STOP" 32	143	105	78	Ø32	PCS	1	480
SCD300007	CLEAR ANTI-ODOUR HORIZONTAL DRY SYPHON INSPECTABLE "SIPHON STOP" 40	153	105	78	Ø40	PCS	1	480
SCD300014	CLEAR ANTI-ODOUR HORIZONTAL DRY SYPHON INSPECTABLE "SIPHON STOP" 50	163	105	78	Ø50	PCS	1	480

# TCR-21

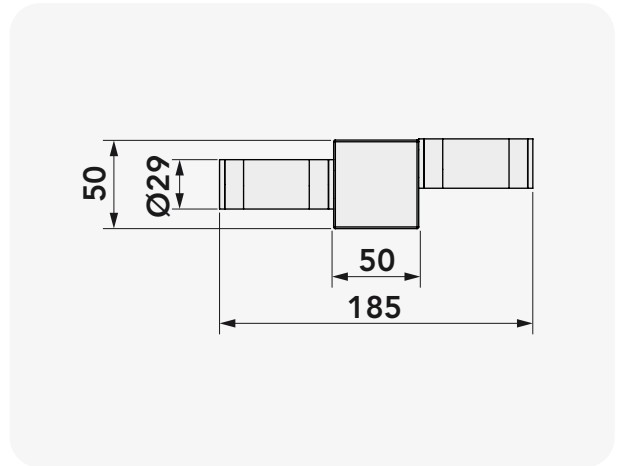
MADE IN ITALY



**ANTI-ODOUR SIPHON FOR RIGID CONDENSATE DRAIN PIPE**

**SIPHON ANTI-ODEURS POUR TUYAU DE DRAINAGE DU CONDENSAT RIGIDE**

**GERUCHSHEMMENDER SIPHON FÜR STARRE KONDENSATABLEITUNG**



To be used horizontally/vertically

Ideal in combination with split installation boxes

Datasheet

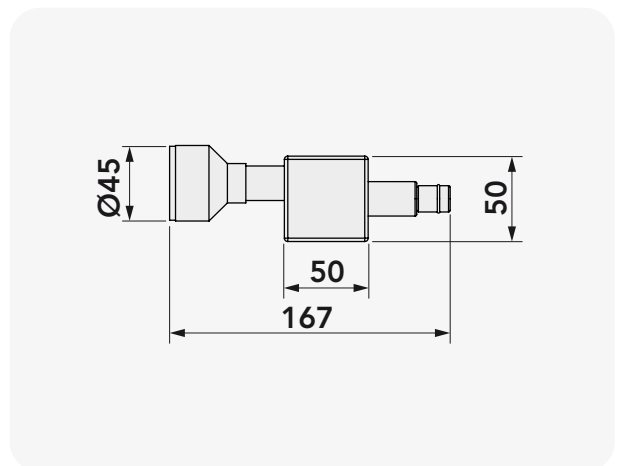
CODE	DESCRIPTION	U.M.	Pieces per box	U.M. Pallet
11126322	ODOUR-STOP TRAP FOR RIGID CONDENSATE DRAIN PIPE TCR21	PCS	10	1920



**ODOUR-PROOF SIPHON FOR FLEXIBLE CONDENSATE DRAIN PIPE Ø 16/18/20/25**

**SIPHON ANTI-ODEURS POUR TUYAU DE DRAINAGE DE CONDENSAT FLEXIBLE Ø 16/18/20/25**

**ANTI-GERUCHS-SIPHON FÜR FLEXIBLES KONDENSATROHR Ø 16/18/20/25**



To be used vertically

Ideal in combination with split installation boxes

MADE IN ITALY



Datasheet

CODE	DESCRIPTION	U.M.	Pieces per box	U.M. Pallet
11126321	ODOUR-STOP TRAP FOR CONDENSATE DRAIN HOSE Ø 16/18/20/25	PCS	10	2040





 **ANTI-ODOUR DRY SIPHON FOR CONDENSATE DRAIN PIPE**

 **SIPHON À SEC ANTI-ODEURS POUR TUYAU DE DRAINAGE DE CONDENSAT**


 **ANTI-GERUCHS-TROCKEN-SIPHON FÜR KONDENSATROHR**



To be used horizontally

Dim.: L 157 x D 60 x H 65 mm

Ideal for condensate drain pipes Ø 32 and Ø 40 for VRV-VRF

CODE	DESCRIPTION	U.M.	 Pieces per box
11126008	ODOUR-STOP TRAP FOR CONDENSATE DRAIN PIPE Ø 32	PCS	1
SCC300001	ODOUR-STOP TRAP FOR CONDENSATE DRAIN PIPE Ø 40	PCS	1

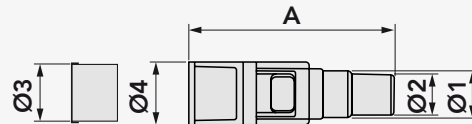
Datasheet




 **OUTDOOR ANTI INSECT SIPHON FOR PIPE Ø 16/18/20**

 **SIPHON EXTÉRIEUR ANTI INSECTES POUR TUYAU Ø 16/18/20**

 **AUSSEN-INSEKTENFALLE -SYPHON FÜR ROHR Ø 16/18/20**



To be used horizontally

CODE	DESCRIPTION	U.M.	 Pieces per box
11126318	INSECT-PROOF TRAP FOR EXTERIOR USE FOR PIPE Ø 16/18/20	PCS	1

Datasheet




 **OUTLET BUG GUARD FOR EXTERIOR USE FOR PIPE Ø 16/18**

 **EXTRÉMITÉ ANTI-INSECTES EXTÉRIEURE POUR TUYAU Ø 16/18**

 **ANTI-KÄFER-AUSSENKLEMME FÜR ROHR Ø 16/18**



To be used horizontally/vertically

CODE	DESCRIPTION	U.M.	 Pieces per box
11126309	OUTLET BUG GUARD FOR EXTERIOR USE FOR PIPE Ø 16/18	PCS	2

Datasheet




 **CLEANING BRUSH FOR SIPHONS CONDENSATE DRAIN PIPES**

 **BROSSE DE NETTOYAGE POUR SIPHONS À SEC ET TUYEAUX DE DRAINAGE DU CONDENSATÉ**

 **REINIGUNGSBÜRSTE FÜR TROCKENSIPHONEN UND KONDENSATABFLUSSROHR**

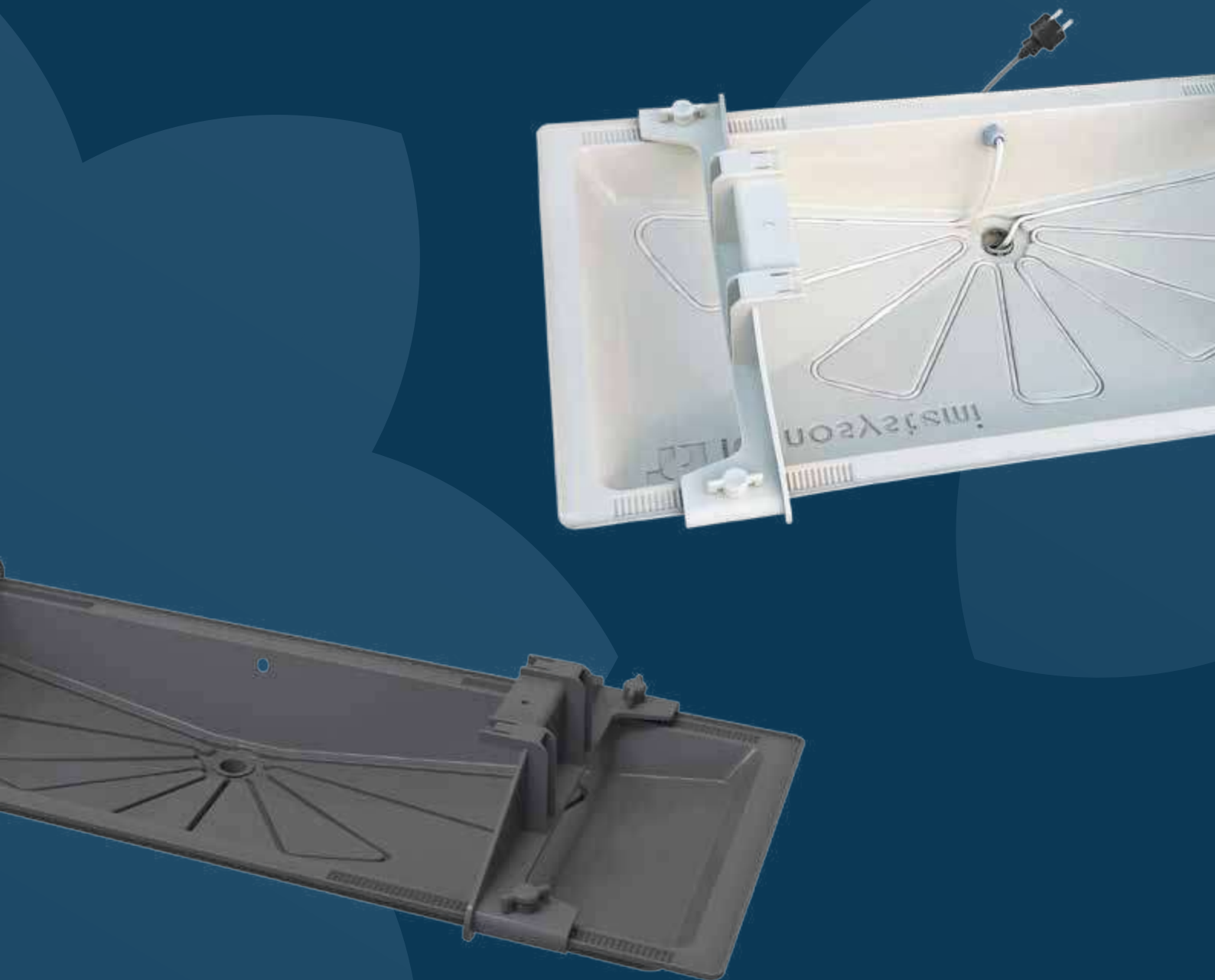


CODE	DESCRIPTION	U.M.	 Pieces per box
SCC300024	CLEANING BRUSH FOR SIPHONS AND CONDENSATE DRAIN PIPES	PCS	1

Datasheet



# CONDENSATE DRAIN PANS



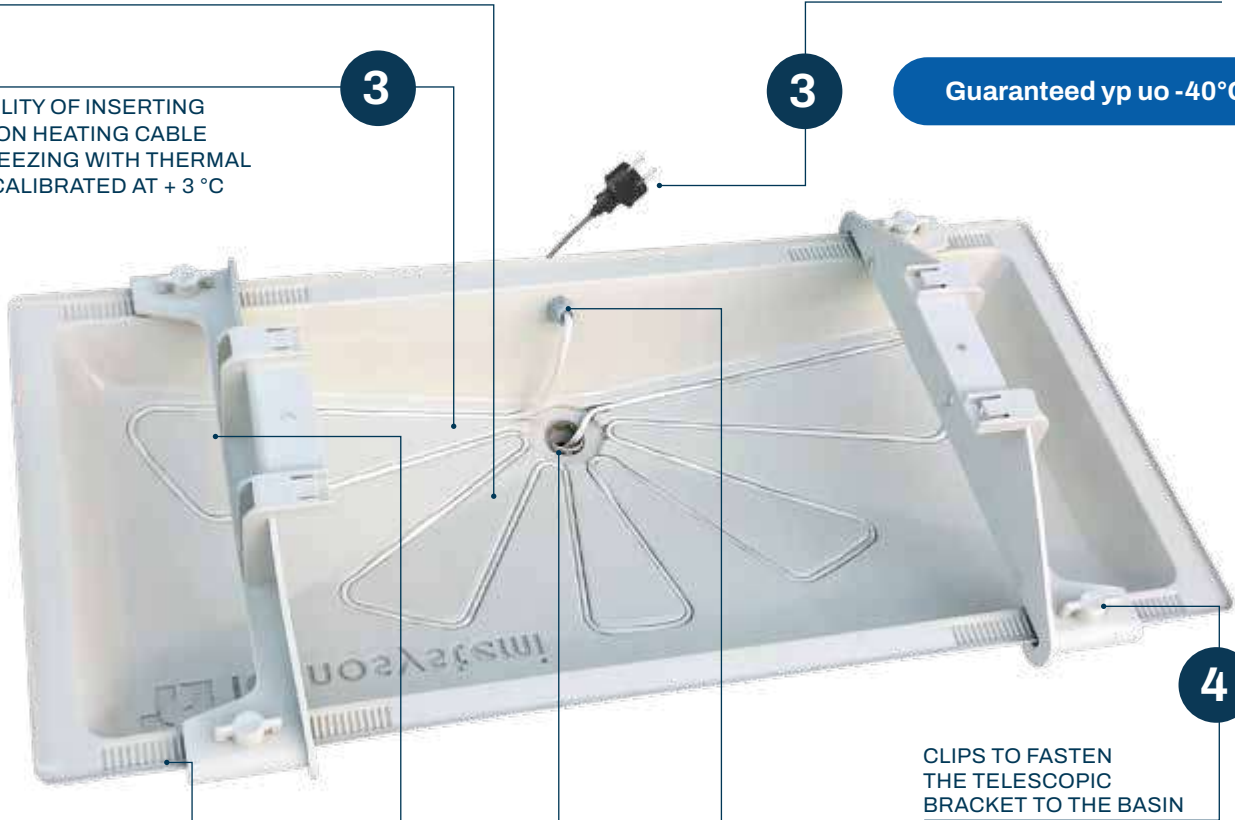


SLOPED SURFACE FOR CONDENSATE WATER DRAINAGE

THERMAL SENSOR INCORPORATED IN THE HEATING CABLE CALIBRATED AT + 3 °C

POSSIBILITY OF INSERTING A SYLICON HEATING CABLE ANTI FREEZING WITH THERMAL CYCLE CALIBRATED AT + 3 °C

Guaranteed up to -40°C



RACK TO POSITION TELESCOPIC BRACKETS

TELESCOPIC BRACKETS TO ANCHOR THE EXTERNAL UNIT

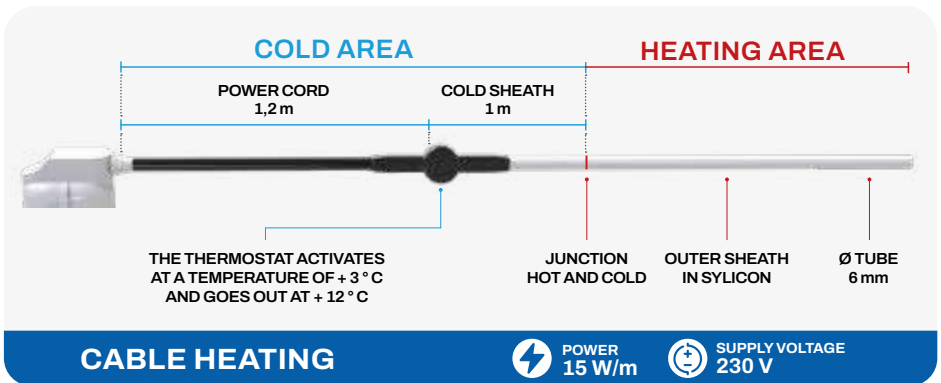
HOLE FOR FITTING CONDENSATE COLLECTION PIPETTES FOR Ø 16 / 20 mm TUBE

CLIPS TO FASTEN THE TELESCOPIC BRACKET TO THE BASIN

CABLE ENTRY FOR ANTI-FREEZING SYLICON CABLE HOLDER



INSULATED CONDENSATE DRAIN PIPE. SEE P.72



## CONDENSATE DRAIN PAN

### TECHNICAL SPECIFICATIONS

- Made of ABS + PMMA plastic ivory
- Adjustable fastening brackets in PA6
- Coupling for condensate drain pipe Ø 16 mm

## BAC DE COLLECTE DES CONDENSATS

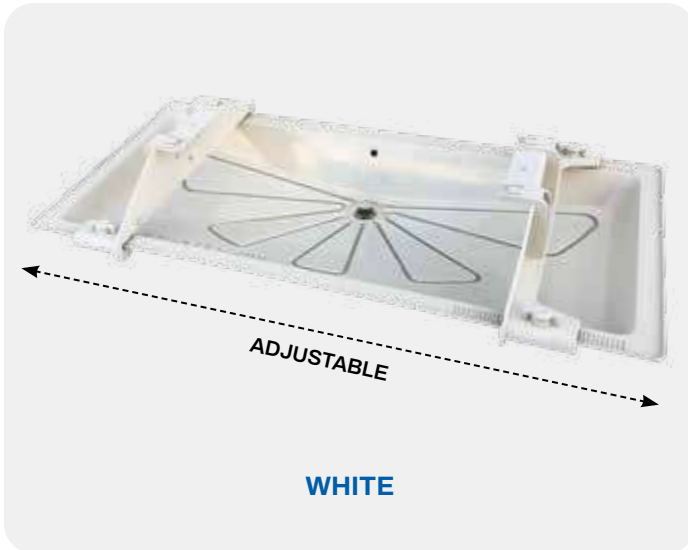
### CARACTÉRISTIQUES TECHNIQUES

- Fabriqué en plastique ABS + PMMA ivoire
- Supports de fixation réglables en PA6
- Raccord pour tuyau de vidange de condensat Ø 16 mm

## KONDENSATSAMMELWANNE

### TECHNISCHE EIGENSCHAFTEN

- Aus ABS + PMMA Kunststoff, elfenbeinfarben
- Verstellbare Befestigungswandkonsole in PA6
- Anschluss für Kondensatablauf Ø 16 mm



Ideal for heat pumps

Virtual reality



## Colour White

CODE	DESCRIPTION	U.M.	Pieces per box
11100100F	"BLUE RIVER" DRAIN PAN IN PMMA W/TELESCOPIC BRACKETS & BLOCKING RACK (850X400 mm)	PCS	1
11100101F	"BLUE RIVER" DRAIN PAN IN PMMA W/TELESCOPIC BRACKETS & BLOCKING RACK (1050x400 mm)	PCS	1
SCD300030	"BLUE RIVER" DRAIN PAN IN PMMA W/TELESCOPIC BRACKETS & BLOCKING RACK (1250x500 mm)	PCS	1

Datasheet



## Colour Grey

CODE	DESCRIPTION	U.M.	Pieces per box
SCD300050	"BLUE RIVER" DRAIN PAN - GREY (850x400 mm)	PCS	1
SCD300051	"BLUE RIVER" DRAIN PAN - GREY (1050x400 mm)	PCS	1
SCD300052	"BLUE RIVER" DRAIN PAN - GREY (1250x500 mm)	PCS	1

Datasheet



## CONDENSATE DRAIN PAN

### TECHNICAL SPECIFICATIONS

- Made of ABS + PMMA plastic ivory
- Adjustable fastening brackets in PA6

#### WITH HEATING CABLE DA 3 m

- Includes 15 w/m 3 m heating cable
- Coupling for condensate drain pipe Ø 16

#### WITH HEATING CABLE DA 6 m

- Includes 15 w/m 3 m + 3 m (6 m) heating cable
- Coupling for condensate drain pipe Ø 20
- Equipped with a condensate drain pipe securing clamp
- With 3 m insulated condensate drain pipe

## BAC DE COLLECTE DES CONDENSATS

### CARACTÉRISTIQUES TECHNIQUES

- Fabriqué en plastique ABS + PMMA ivoire
- Supports de fixation réglables en PA6

#### AVEC CÂBLE CHAUFFANT DE 3 m

- Livré avec un câble chauffant de 15 w/m 3 m
- Raccord pour tuyau de vidange condensat Ø 16 mm

#### AVEC CÂBLE CHAUFFANT 3+3 m

- Livré avec un câble chauffant 3+3 m (6m) 15w/m
- Raccord pour tuyau de vidange condensat Ø20mm
- Équipé d'un collier de fixation de tuyau de vidange de condensat
- Avec tuyau de vidange de condensat isolé de 3 m

## KONDENSATSAMMELWANNE

### TECHNISCHE EIGENSCHAFTEN

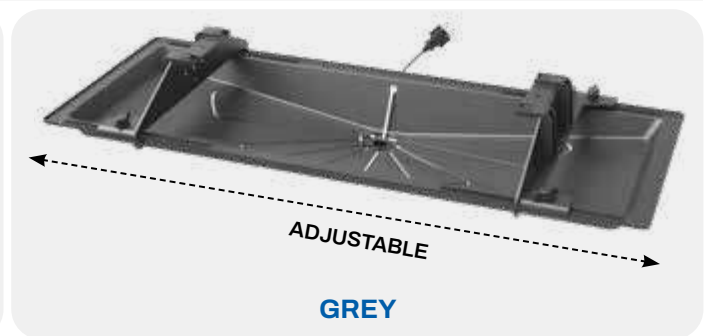
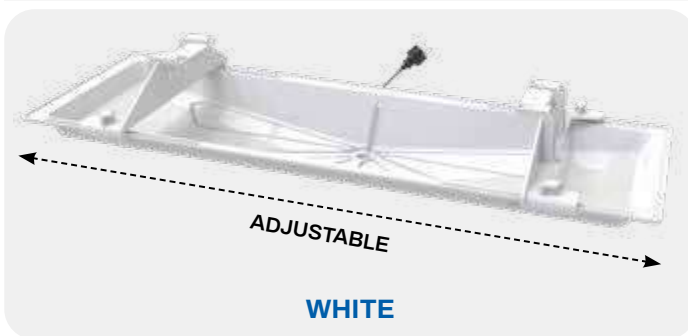
- Aus ABS + PMMA Kunststoff, elfenbeinfarben
- Verstellbare Befestigungswandkonsole in PA6

#### MIT HEIZKABEL 3 m

- Komplet mit 15 W/m 3 m Heizkabel
- Anschluss für Kondensatablauf Ø 16 mm

#### MIT HEIZKABEL 3+3 m

- Komplet mit 3m + 3m (6m) 15w/m Heizkabel
- Anschluss für Kondensatabfluss Ø 20 mm
- Mit Schelle zur Befestigung des Kondensatabflusses
- Mit isoliertem Kondensatabflussrohr 3 m



Ideal for heat pumps

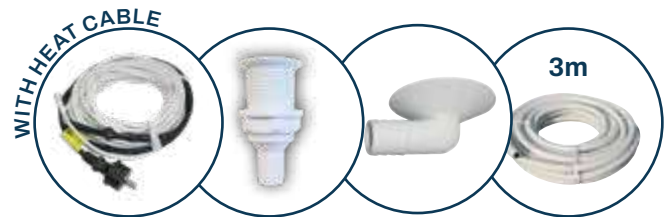
Heating cable diameter: Ø 6 mm

Supply voltage: 230v

Tolerances on resistance: -5%/+10%

Resistance activation at + 3°C

Incorporated thermal sensor



### Colour White

CODE	DESCRIPTION	U.M.	Pieces per box
SCD300068	"BLUE RIVER" DRAIN PAN IN PMMA W/TELESCOPIC BRACKETS & BLOCKING RACK & 3 mt HEATING CABLE (850x400 mm)	PCS	1
SCD300069	"BLUE RIVER" DRAIN PAN IN PMMA W/TELESCOPIC BRACKETS & BLOCKING RACK & 6 mt HEATING CABLE (850x400 mm)	PCS	1
SCD300072	"BLUE RIVER" DRAIN PAN IN PMMA W/TELESCOPIC BRACKETS & BLOCKING RACK & 3 mt HEATING CABLE (1050x400 mm)	PCS	1
SCD300073	"BLUE RIVER" DRAIN PAN IN PMMA W/TELESCOPIC BRACKETS & BLOCKING RACK & 6 mt HEATING CABLE (1050x400 mm)	PCS	1
SCD300076	"BLUE RIVER" DRAIN PAN WITH 3 mt HEATING CABLE (1250x500 mm)	PCS	1
SCD300077	"BLUE RIVER" DRAIN PAN WITH 6 mt HEATING CABLE (1250x500 mm)	PCS	1

Datasheet



### Colour Grey

CODE	DESCRIPTION	U.M.	Pieces per box
SCD300078	"BLUE RIVER" DRAIN PAN WITH 3 mt HEATING CABLE (850x400 mm) - GREY	PCS	1
SCD300079	"BLUE RIVER" DRAIN PAN WITH 6 mt HEATING CABLE (850x400 mm) - GREY	PCS	1
SCD300080	"BLUE RIVER" DRAIN PAN WITH 3 mt HEATING CABLE (1050x400 mm) - GREY	PCS	1
SCD300081	"BLUE RIVER" DRAIN PAN WITH 6 mt HEATING CABLE (1050x400 mm) - GREY	PCS	1
SCD300082	"BLUE RIVER" DRAIN PAN WITH 3 mt HEATING CABLE (1250x500 mm) - GREY	PCS	1
SCD300083	"BLUE RIVER" DRAIN PAN WITH 6 mt HEATING CABLE (1250x500 mm) - GREY	PCS	1

Available on request

Datasheet





## CONDENSATE DRAIN PAN

### TECHNICAL SPECIFICATIONS

- Electrogalvanised sheet
- External polyester painting RAL 9002
- Coupling for condensate drain pipe Ø 16 mm

## BAC DE COLLECTE DES CONDENSATS

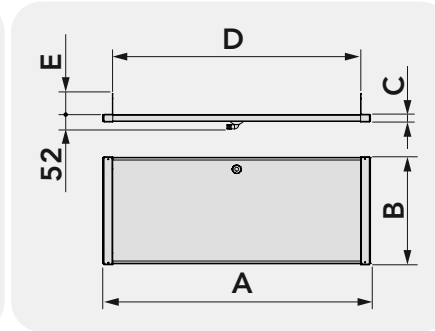
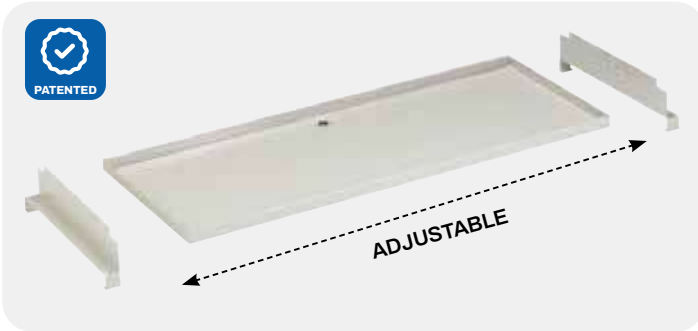
### CARACTÉRISTIQUES TECHNIQUES

- Tôle galvanisée
- Peinture polyester d'extérieur RAL 9002
- Raccord pour tuyau de vidange de condensat Ø 16 mm

## KONDENSATSAMMELWANNE

### TECHNISCHE EIGENSCHAFTEN

- Galvanisch verzinktes Blech
- Polyesterbeschichtung für den Außenbereich RAL 9002
- Anschluss für Kondensatablauf Ø 16 mm



Ideal for heat pumps

For outdoor units

CODE	DESCRIPTION	DIMENSIONS [mm]					U.M.	Pieces per box
		A	B	C	D	E		
11100105	CONDENSATE TRAY (small)	820	340	25	750 max.	80	PCS	1
11100100	CONDENSATE TRAY (large)	980	390	25	910 max.	80	PCS	1
11100101	CONDENSATE TRAY (maxi)	1100	550	25	1030 max.	130	PCS	1
SCD500090	CONDENSATE TRAY (big)	1400	550	25	1330 max.	130	PCS	1

Datasheet



## CONDENSATE DRAIN PAN WITH ANTIFREEZE CABLE

### TECHNICAL SPECIFICATIONS

- Electrogalvanised sheet
- External polyester painting RAL 9002
- Power 15 W/m
- Coupling for condensate drain pipe Ø 16 mm
- Power supply voltage 230 V
- Cable diameter 6 mm
- Resistance tolerance from -5% to +10%
- Built-in thermostat
- Connection at +3°C and disconnection at 12°C

## BAC DE COLLECTE DES CONDENSATS AVEC CÂBLE ANTI-CONGÉLATION

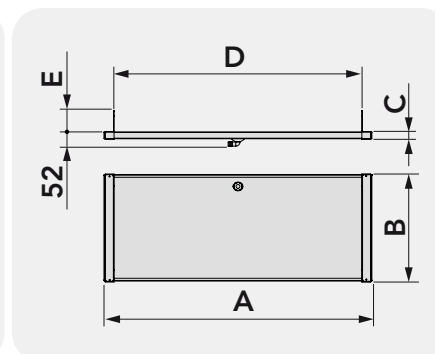
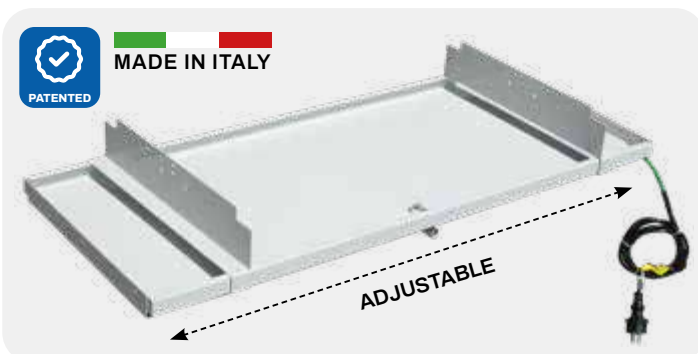
### CARACTÉRISTIQUES TECHNIQUES

- Tôle galvanisée
- Peinture polyester d'extérieur RAL 9002
- Puissance 15 W/m
- Raccord pour tuyau de vidange de condensat Ø 16 mm
- Tension d'alimentation 230 V
- Diamètre du câble 6 mm
- Tolérance de résistance de -5% à +10%
- Thermostat intégré
- Insertion à +3°C et déconnexion à 12°C

## KONDENSATSAMMELWANNE MIT FROSTSCHUTZKABEL

### TECHNISCHE EIGENSCHAFTEN

- Galvanisch verzinktes Blech
- Polyesterbeschichtung für den Außenbereich RAL 9002
- Leistung 15 W/m
- Anschluss für Kondensatablauf Ø 16 mm
- Netzspannung 230 V
- Kabeldurchmesser 6 mm
- Widerstandstoleranz von -5 % bis +10 %
- Eingebauter Thermostat
- Schaltet bei +3°C an und bei 12°C aus



Ideal for heat pumps

For outdoor units

CODE	DESCRIPTION	DIMENSIONS [mm]					U.M.	Pieces per box
		A	B	C	D	E		
SCD300065	LARGE CONDENSATE TRAY WITH FROST-PROTECTION SHORT CABLE WITH THERMOSTAT	980	390	35	910 max.	80	PCS	1
SCD300070	MAXI CONDENSATE TRAY WITH FROST-PROTECTION SHORT CABLE WITH THERMOSTAT	1100	550	35	1030 max.	130	PCS	1
SCD500312	BIG CONDENSATE TRAY WITH FROST-PROTECTION SHORT CABLE WITH THERMOSTAT	1400	550	35	1330 max.	130	PCS	1

Datasheet



**CONDENSATE DRAIN PAN WITH HEATING ANTIFREEZE CABLE FOR CONDENSATE DRAIN PIPES**

**TECHNICAL SPECIFICATIONS**

- Electrogalvanised sheet
- External polyester painting RAL 9002
- Heating cable power 15 W/m
- Coupling for condensate drain pipe Ø 16 mm
- Power supply voltage 230 V
- Cable diameter 6 mm
- Resistance tolerance from -5% to +10%
- Built-in thermostat
- Connection at +3°C and disconnection at 12°C

**BAC DE COLLECTE DES CONDENSATS ANTI-CONGÉLATION AVEC CÂBLE CHAUFFANT POUR TUYAUX DE DRAINAGE DES CONDENSATS**

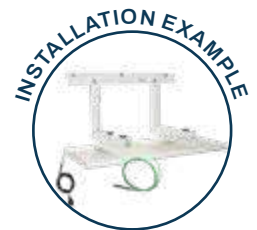
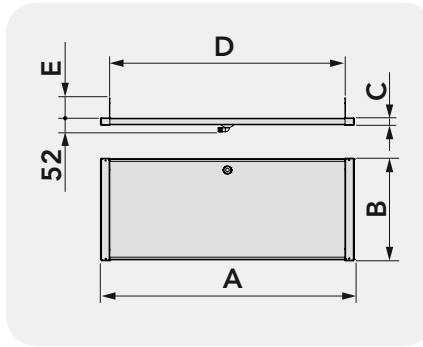
**CARACTÉRISTIQUES TECHNIQUES**

- Tôle galvanisée
- Peinture polyester d'extérieur RAL 9002
- Puissance du câble de chauffage 15 W/m
- Raccord pour tuyau de vidange de condensat Ø 16 mm
- Tension d'alimentation 230 V
- Diamètre du câble 6 mm
- Tolérance de résistance de -5% à +10%
- Thermostat intégré
- Insertion à +3°C et déconnexion à 12°C

**KONDENSATSAMMELWANNE MIT FROSTSCHUTZ UND HEIZKABEL FÜR KONDENSATBLAUFROHRE**

**TECHNISCHE EIGENSCHAFTEN**

- Galvanisch verzinktes Blech
- Polyesterbeschichtung für den Außenbereich RAL 9002
- Heizkabelleistung 15 W/m
- Anschluss für Kondensatablauf Ø 16 mm
- Netzspannung 230 V
- Kabeldurchmesser 6 mm
- Widerstandstoleranz von -5 % bis +10 %
- Eingebauter Thermostat
- Schaltet bei +3°C an und bei 12°C aus



Large - COD. 11100100EU

CODE	DESCRIPTION	DIMENSIONS [mm]					U.M.	Pieces per box
		A	B	C	D	E		
SCD300066	LARGE CONDENSATE TRAY WITH FROST-PROTECT. LONG CABLE WITH THERMOSTAT	980	390	35	910 max.	80	PCS	1
SCD300071	MAXI CONDENSATE TRAY WITH FROST-PROTECT. LONG CABLE WITH THERMOSTAT	1100	550	35	1030 max.	130	PCS	1
SCD300100	BIG CONDENSATE TRAY WITH FROST-PROTECT. LONG CABLE WITH THERMOSTAT	1400	550	35	1030 max.	130	PCS	1

Datasheet



**"INDUSTRY"**

MADE IN ITALY



**CONDENSATE DRAIN PAN**

**TECHNICAL SPECIFICATIONS**

- Electrogalvanised sheet
- External polyester painting RAL 9002
- Coupling for condensate drain pipe Ø 16 mm
- For industrial TSE shelves

**BAC INDUSTRY**

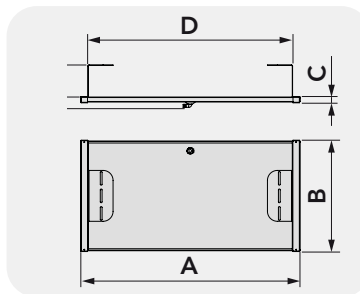
**CARACTÉRISTIQUES TECHNIQUES**

- Tôle galvanisée
- Peinture polyester d'extérieur RAL 9002
- Raccord pour tuyau de vidange de condensat Ø 16 mm
- Pour les étagères TSE industrielles

**KONDENSATWANNE**

**TECHNISCHE EIGENSCHAFTEN**

- Galvanisch verzinktes Blech
- Polyesterbeschichtung für den Außenbereich RAL 9002
- Anschluss für Kondensatablauf Ø 16 mm
- Für industrielle TSE-Konsolen



For TSE industrial shelves see page 153

CODE	DESCRIPTION	DIMENSIONS [mm]				U.M.	Pieces per box
		A	B	C	D		
SCD500031	"INDUSTRY 390" CONDENSATE TRAY	980	390	25	910 max.	PCS	1
SCD500032	"INDUSTRY 550" CONDENSATE TRAY	1100	550	25	1030 max.	PCS	1
SCD500033	"INDUSTRY 1180x760" CONDENSATE TRAY	1180	760	25	1110 max.	PCS	1

Datasheet



## CONDENSATE DRAIN PAN WITH ANTIFREEZE CABLE

### TECHNICAL SPECIFICATIONS

- Electrogalvanised sheet
- External polyester painting RAL 9002
- Power 15 W/m
- Coupling for condensate drain pipe Ø 16 mm
- Power supply voltage 230 V
- Cable diameter 6 mm
- Resistance tolerances from -5% to +10%
- Built-in thermostat
- Connection at +3°C and disconnection at 12°C

## BAC AVEC CÂBLE ANTIGEL

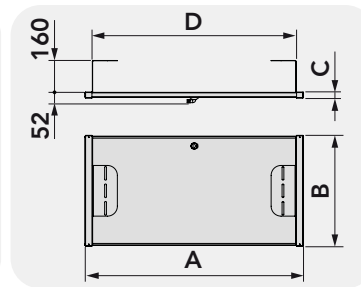
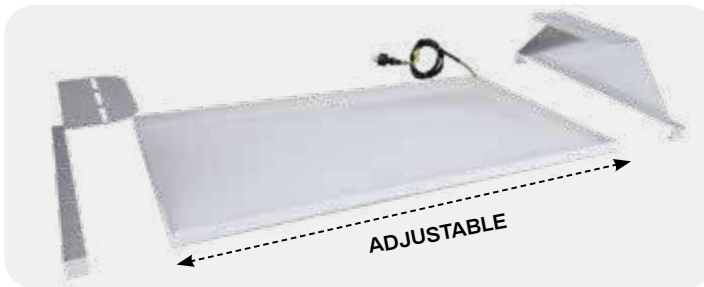
### CARACTÉRISTIQUES TECHNIQUES

- Tôle galvanisée
- Peinture polyester d'extérieur RAL 9002
- Puissance 15 W/m
- Raccord pour tuyau de vidange de condensat Ø 16 mm
- Tension d'alimentation 230 V
- Diamètre du câble 6 mm
- Tolérances de résistance de -5% à +10%
- Thermostat intégré
- Insertion à +3°C et déconnexion à 12°C

## INDUSTRIE-KONDENSATWANNE MIT FROSTSCHUTZKABEL

### TECHNISCHE EIGENSCHAFTEN

- Galvanisch verzinktes Blech
- Polyesterbeschichtung für den Außenbereich RAL 9002
- Leistung 15 W/m
- Anschluss für Kondensatablauf Ø 16 mm
- Netzspannung 230 V
- Kabeldurchmesser 6 mm
- Widerstandstoleranzen von -5 % bis + 10%
- Eingebauter Thermostat
- Schaltet bei +3°C an und bei 12°C aus



For TSE industrial shelves see page 153

CODE	DESCRIPTION	DIMENSIONS [mm]				U.M.	Pieces per box
		A	B	C	D		
SCD500300	"INDUSTRY 390" CONDENSATE TRAY WITH FROST-PROTECTION CABLE	980	390	35	910 max.	PCS	1
SCD500301	"INDUSTRY 550" CONDENSATE TRAY WITH FROST-PROTECTION CABLE	1100	550	35	1030 max.	PCS	1
SCD500302	"INDUSTRY 800" CONDENSATE TRAY WITH FROST-PROTECTION CABLE	1180	760	35	1110 max.	PCS	1

Datasheet



## CONDENSATE DRAIN PAN WITH ANTIFREEZE CABLE AND HEATING CABLE FOR CONDENSATE DRAIN PIPES

### TECHNICAL SPECIFICATIONS

- Electrogalvanised sheet
- External polyester painting RAL 9002
- Power 15 W/m
- Coupling for condensate drain pipe Ø 16 mm
- Power supply voltage 230 V
- Cable diameter 6 mm
- Resistance tolerances from -5% to +10%
- Built-in thermostat
- Connection at +3°C and disconnection at 12°C

## BAC AVEC CÂBLE ANTIGEL ET CÂBLE CHAUFFANT POUR TUYAUX DE DRAINAGE DE CONDENSAT

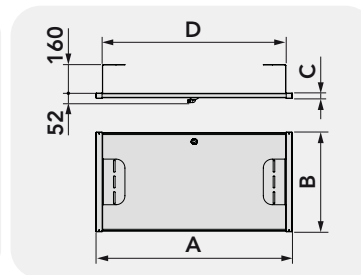
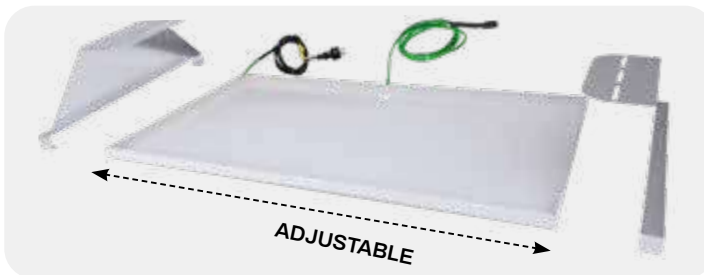
### CARACTÉRISTIQUES TECHNIQUES

- Tôle galvanisée
- Peinture polyester d'extérieur RAL 9002
- Puissance 15 W/m
- Raccord pour tuyau de vidange de condensat Ø 16 mm
- Tension d'alimentation 230 V
- Diamètre du câble 6 mm
- Tolérances de résistance de -5% à +10%
- Thermostat intégré
- Insertion à +3°C et déconnexion à 12°C

## INDUSTRIE-KONDENSATWANNE MIT FROSTSCHUTZKABEL UND HEIZKABEL FÜR KONDENSATABLEITUNGEN

### TECHNISCHE EIGENSCHAFTEN

- Galvanisch verzinktes Blech
- Polyesterbeschichtung für den Außenbereich RAL 9002
- Leistung 15 W/m
- Anschluss für Kondensatablauf Ø 16 mm
- Netzspannung 230 V
- Kabeldurchmesser 6 mm
- Widerstandstoleranzen von -5 % bis + 10%
- Eingebauter Thermostat
- Schaltet bei +3°C an und bei 12°C aus



MADE IN ITALY

For TSE industrial shelves see page 153

CODE	DESCRIPTION	DIMENSIONS [mm]				U.M.	Pieces per box
		A	B	C	D		
SCD500303	"INDUSTRY 390" CONDENSATE TRAY WITH FROST-PROTECTION CABLE & HEATING CABLE FOR DRAIN PIPES	980	390	35	910 max.	PCS	1
SCD500304	"INDUSTRY 550" CONDENSATE TRAY WITH FROST-PROTECTION CABLE & HEATING CABLE FOR DRAIN PIPES	1100	550	35	1030 max.	PCS	1
SCD500305	"INDUSTRY 800" CONDENSATE TRAY WITH FROST-PROTECTION CABLE & HEATING CABLE FOR DRAIN PIPES	1180	760	35	1110 max.	PCS	1

Datasheet



## INSULATED DRAIN AND CONDENSATE DRAIN KIT FOR CONDENSATE DRAIN PAN

### TECHNICAL SPECIFICATIONS

- 1 hose clamp Ø 20-32 mm
- 1 plug for basin with Ø 21 mm connection
- Insulated condensate drain pipe Ø 20 internal Ø 31 external
- Length of insulated condensate drain pipe 3 or 6 m

## BLUE RIVER KIT PILE ET TUYAU DE VIDANGE DES CONDENSATS ISOLÉ POUR BAC DE COLLECTE DES CONDENSATS

### CARACTÉRISTIQUES TECHNIQUES

- 1 collier de serrage Ø 20-32 mm
- 1 bonde pour lavabo avec raccord Ø 21 mm
- Tuyau de vidange du condensat isolé Ø 20 interne Ø 31 externe
- Longueur de tuyau de vidange de condensat isolé de 3 ou 6 m

## ABLAUFSET UND ISOLIERTES KONDENSATABLAUFROHR FÜR KONDENSATAUFFANGWANNE

### TECHNISCHE EIGENSCHAFTEN

- 1 Zwinke Ø 20-32 mm
- 1 Ablauf für Becken mit Ø 21 mm Stutzen
- Isoliertes Kondensatableitungsrohr Innen-Ø 20 Außen-Ø 31
- Länge des gedämmten Kondensatableitungsrohrs von 3 oder 6 m



CODE	DESCRIPTION	U.M.	Pieces per box
RIC00284	KIT OF DRAIN AND INSULATED CONDENSATE DRAIN PIPE 3 mt LONG FOR DRAIN PAN "BLUE RIVER"	PCS	1
RIC00285	KIT OF DRAIN AND INSULATED CONDENSATE DRAIN PIPE 6 mt LONG FOR DRAIN PAN "BLUE RIVER"	PCS	1

Datasheet



## ANTI-FREEZING SILICONE HEATING CABLE WITH BUILT-IN THERMAL SENSOR AND SHUKO PLUG 3 / 6 / 9 M

### TECHNICAL SPECIFICATIONS

- Power 20 W/m
- Power supply voltage 230 V
- Heating cable diameter Ø 6.3 mm
- Cold sheath length 1 m
- Connection cable length 1,2 m
- Temperature activation heating cable +3 C
- Heating cable shut-down temperature: +12°C
- Neoprene power cable
- Insulation class: Class I
- For indoor and outdoor use

## CÂBLE CHAUFFANT ANTI-GEL EN SILICONE AVEC CAPTEUR THERMIQUE INTÉGRÉ ET SHUKO PLUG 3 / 6 / 9 M

### CARACTÉRISTIQUES TECHNIQUES

- Puissance 20 W/m
- Tension d'alimentation 230 V
- Diamètre du câble de chauffage Ø 6.3 mm
- Longueur de gaine froide 1 m
- Longueur du câble de connexion 1,2 m
- La température déclenche le câble chauffant +3
- Température d'arrêt du câble de chauffage: +12°C
- Cordon d'alimentation en néoprène
- Classe d'isolation : classe I
- Pour l'usage à l'intérieur ou à l'extérieur

## SILIKON-FROST-SCHUTZHEIZKABEL MIT EINGEBAUTEM WÄRMESENSOR UND SHUKO-STECKER 3 / 6 / 9M

### TECHNISCHE EIGENSCHAFTEN

- Leistung 20 W/m
- Netzspannung 230 V
- Heizkabeldurchmesser Ø 6.3 mm
- Kaltkabellänge 1 m
- Länge des Anschlusskabels 1,2 m
- Temperatur Aktivierung Heizkabel +3°C
- Abschalttemperatur des Heizkabels: +12°C
- Netzkabel aus Neopren
- Isolationsklasse: Klasse I
- Für den Einsatz in Innen- und Aussenbereich



MADE IN ITALY CE

CODE	DESCRIPTION	U.M.	Pieces per box
SCC300017	ANTIFREEZE HEATING CABLE IN SILICONE 15 W/m WITH THERMAL SENSOR AND SHUKO PLUG - CLASS I - 3mt	PCS	1
SCC300018	ANTIFREEZE HEATING CABLE IN SILICONE 15 W/m WITH THERMAL SENSOR AND SHUKO PLUG - CLASS I - 6mt	PCS	1
SCC300019	ANTIFREEZE HEATING CABLE IN SILICONE 15 W/m WITH THERMAL SENSOR AND SHUKO PLUG - CLASS I - 9mt	PCS	1
SCC300020	ANTIFREEZE HEATING CABLE IN SILICONE 20 W/m WITH THERMAL SENSOR AND SHUKO PLUG - CLASS I - 3mt	PCS	1
SCC300021	ANTIFREEZE HEATING CABLE IN SILICONE 20 W/m WITH THERMAL SENSOR AND SHUKO PLUG - CLASS I - 6mt	PCS	1
SCC300022	ANTIFREEZE HEATING CABLE IN SILICONE 20 W/m WITH THERMAL SENSOR AND SHUKO PLUG - CLASS I - 9mt	PCS	1

Datasheet



 **HEATING CABLE FOR CONDENSATE DRAINS**

**TECHNICAL SPECIFICATIONS**

- Power 20 W/m
- Power supply voltage 230 V
- Range of use from -50°C to +180°C
- Silicone insulation
- Length cold part: 1 m (0,5 m + 0,5 m)
- Extremely flexible
- Diameter: 2,8 mm
- Insulation class: Class II
- Coating sheath made of silicone
- 100% Waterproof

 **CÂBLE CHAUFFANT POUR VIDANGE DES CONDENSATS**

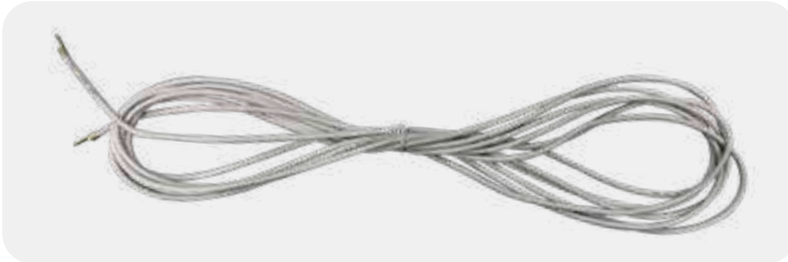
**CARACTÉRISTIQUES TECHNIQUES**

- Puissance 20 W/m
- Tension d'alimentation 230 V
- Plage d'utilisation de -50°C à +180°C
- Isolation en silicone
- Longueur partie froide: 1 m (0,5 m + 0,5 m)
- Extrêmement flexible
- Diamètre: 2,8 mm
- Classe d'isolation : classe II
- Gaine de revêtement en silicone
- 100% Étanche


 **HEIZKABEL FÜR KONDENSAT-ABLEITUNGEN TABLEITUNGEN**

**TECHNISCHE EIGENSCHAFTEN**

- Leistung 20 W/m
- Netzspannung 230 V
- Einsatzbereich von -50°C bis +180°C
- Isolierung aus Silikon
- Länge kalte Seite: 1 m (0,5 m + 0,5 m)
- Extrem flexibel
- Durchmesser: 2,8 mm
- Isolationsklasse: Klasse II
- Ummantelung aus Silikon
- 100% wasserdicht



 **MADE IN ITALY** 

CODE	DESCRIPTION	POWER	U.M.	 Pieces per box
SCC300014	HEATING CABLE FOR CONDENSATE TRAY - 3 mt.	60 W	PCS	1
SCC300015	HEATING CABLE FOR CONDENSATE TRAY - 6 mt.	120 W	PCS	1
SCC300016	HEATING CABLE FOR CONDENSATE TRAY - 9 mt.	180 W	PCS	1





# CONDENSATE DRAIN PUMPS





## OVER 30 PERFECT SOLUTIONS FOR EVERY CONDENSATE DRAIN NEED



Easy installation



Compact design



Versatile use



Built-in alarm  
system



Low maintenance



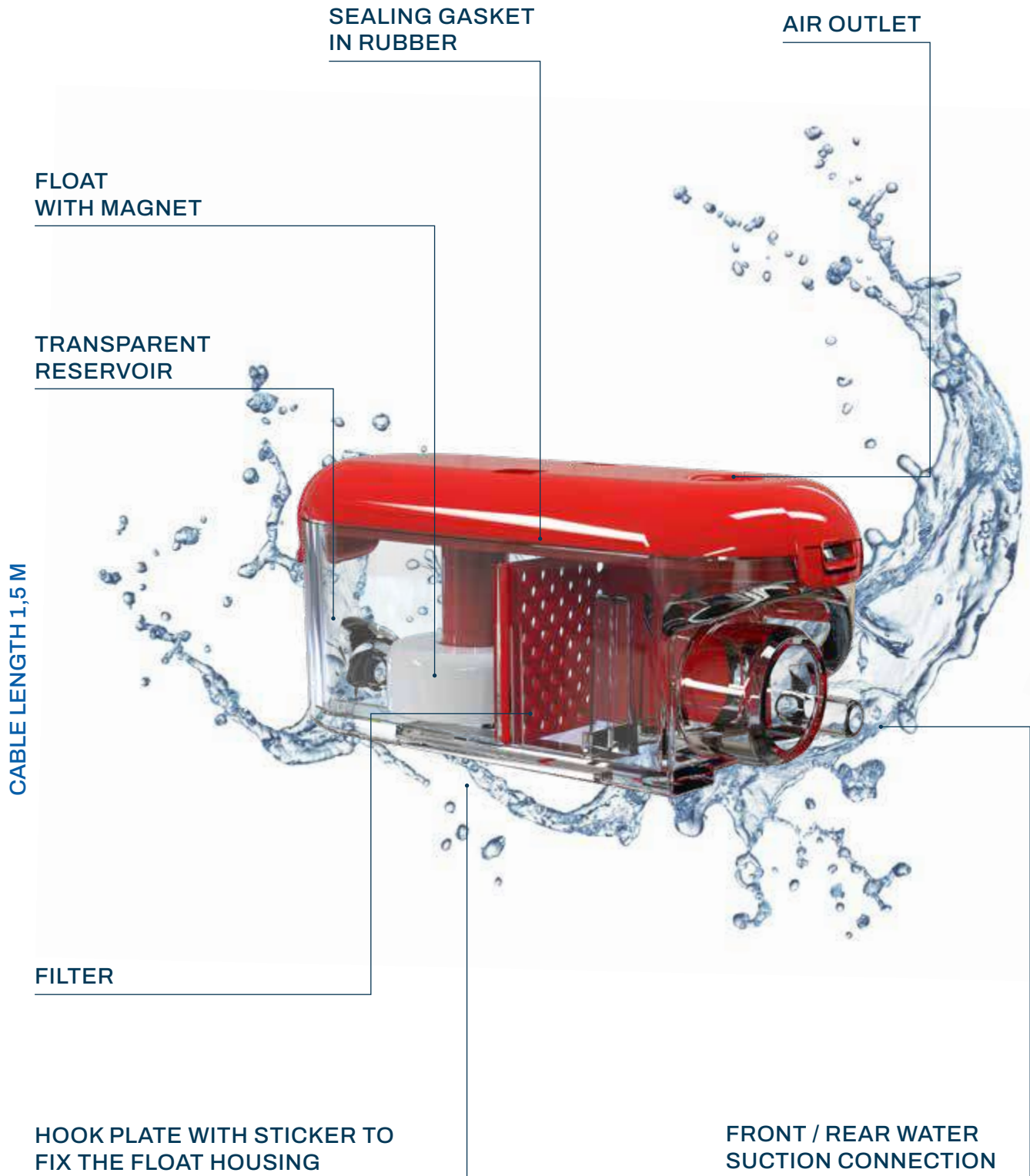
Reliability



Universal

# PUMP EASY FLOW

GREAT ADVANTAGES  
IN A SMALL SPACE



## RESERVOIR

AVAILABLE IN PACK WITH 12 PUMPS



BUILT-IN ALARM WITH DOUBLE CONTACT NO-NC 8A

SOUND ABSORBING SHELL

DIRECTION OF THE WATER THRUST



80° THERMAL SWITCH

REMOVABLE ELECTRIC CONNECTOR

LOW NOISE 21 DB(A)

BUILT-IN DOUBLE NON-RETURN VALVE

DOUBLE ANTI-VIBRATION

ANTI-VIBRATION PLATE WITH ADHESIVE TO ANCHOR PUMP

## PUMP



 EF 7 - 11 - 15 - 20 L MINI PUMP

**TECHNICAL SPECIFICATIONS**

- Intake max 2 m vertical between floating body and pump
- Power supply 230V - 50Hz
- Alarm contact C-NO/NC 8A
- Protection rating IP20
- Cover with sealing gasket
- Pack includes float anchor plate, pump, hose L = 1 m, vent pipe, double-sided adhesive tape, adapter sleeve and removable electrical connector.

**DIMENSIONS [mm]**

- Tube: 4 x 6
- Pump: L 97 - W 30 - H 55
- Float body: L91 - W34 - H39

**WALL-MOUNTED APPLICATIONS**

- Wall Splits
- Consoles
- Fan coils

**CEILING-MOUNTED APPLICATIONS**

- Ceiling-mounted air conditioners
- Ducted

 EF 7 - 11 - 15 - 20 L MINI POMPE

**CARACTÉRISTIQUES TECHNIQUES**

- Aspiration max. 2 m vertical entre le corps du flotteur et la pompe
- Alimentation 230 V - 50 Hz
- Contact d'alarme C-NO/NC 8A
- Degré de protection IP20
- Couvercle avec joint d'étanchéité
- Emballage complet de plaque d'ancrage flottante, pompe, tube L = 1 m, tube d'évent, adhésifs double face, manchon adaptateur et connecteur électrique amovible.

**DIMENSIONS [mm]**

- Tuyau: 4 x 6
- Pompe: L 97 - W 30 - H 55
- Corps flottant: L91 - W34 - H39

**APPLICATIONS DE MONTAGE MURAL**

- Split Muraux
- Consoles
- Ventilconvecteurs

**APPLICATIONS DE MONTAGE AU PLAFOND**

- Climatiseurs montés au plafond
- Canalisés

 EF 7 - 11 - 15 - 20 L MINIPUMPE

**TECHNISCHE EIGENSCHAFTEN**

- Max. Ansaughöhe 2 m, vertikal, zwischen Schwimmerkörper und Pumpe
- Stromversorgung 230V - 50Hz
- C-NO/NC 8A Alarmkontakt
- Schutzart IP20
- Abdeckung mit Dichtung
- Packung komplett mit Schwimmerankerplatte, Pumpe, Steuerleitung L = 1 m, Entlüftungsleitung, doppelseitigem Klebeband, Adapterhülse und abnehmbarem Elektrostecker.

**ABMESSUNGEN [mm]**

- Rohr: 4 x 6
- Pumpe: L 97 x H 55 x T 30
- Schwimmerkörper: L 91 - H 39 - T 34

**WANDMONTAGEANWENDUNGEN**

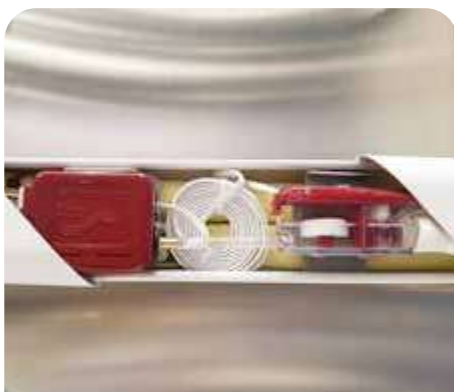
- Wandmontierte Split
- Konsolen
- Gebläsekonvektoren

**DECKENMONTAGEANWENDUNGEN**

- An der Decke montierte Klimaanlage
- Kanalisiert



With Double 8A NO-NC alarm contact



ADAPTABLE ALSO IN DUCT  
For installation see pag. 131

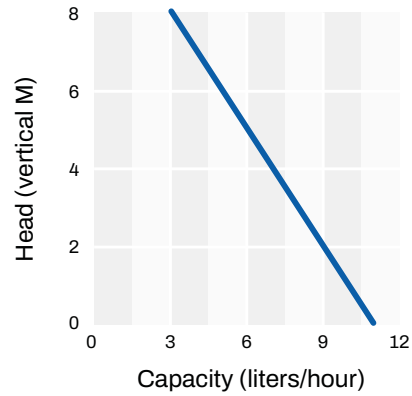
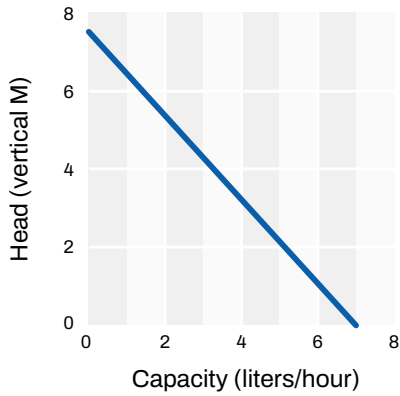


Float body with vertical coupling see spare parts catalog



Available in 12-PIECE COUNTER DISPLAY





**EF 7 LT.**

For air conditioners up to 5 kw

Max. Head 7 m

Power consumption 19 w

Sound level max. 21 db(a)

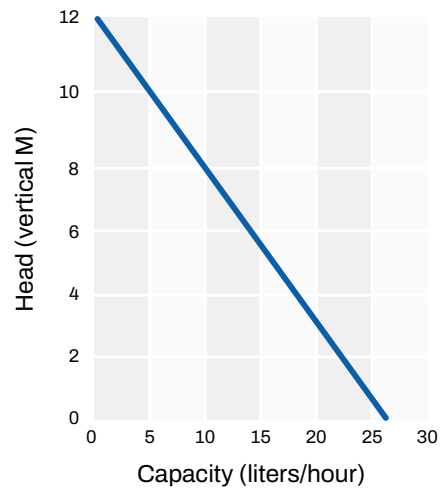
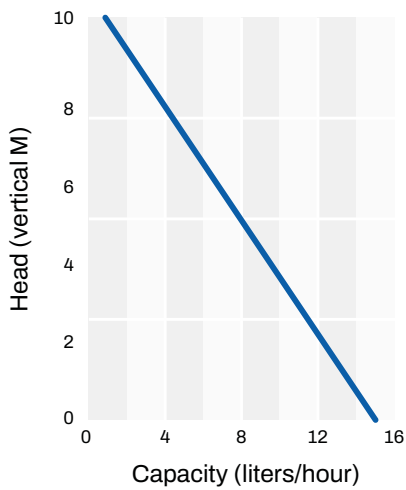
**EF 11 LT.**

For air conditioners up to 10 kw

Max. Head 8 m

Power consumption 19 w

Sound level max. 21 db(a)



**EF 15 LT.**

For air conditioners up to 16 kw

Max. Head 10 m

Power consumption 19 w

Sound level max. 25 db(a)

**EF 20 LT.**

For air conditioners up to 20 kw

Max. Head 12 m

Power consumption 19 w

Sound level max. 26 db(a)

N.B. the fixing kit for trunking of "easy flow" mini pumps is not included in the package (see page 131)

CODE	DESCRIPTION	U.M.	Pieces per box
12170036	EASY FLOW 7 LT. MINI PUMP EF7	PCS	1
12170093	EASY FLOW 7 LT. MINI PUMP WITH VERTICAL CONNECTION EFV-7	PCS	1
12170037	EASY FLOW 11 LT. MINI PUMP EF11	PCS	1
12170094	EASY FLOW 11 LT. MINI PUMP WITH EFV-11 VERTICAL CONNECTION	PCS	1
12170038	EASY FLOW 15 LT. MINI PUMP "EF15"	PCS	1
12170046	EASY FLOW 15 LT. MINI PUMP WITH VERTICAL CONNECTION EFV-15	PCS	1
12170078	EASY FLOW 20 LT. MINI PUMP EF20	PCS	1
12170079	EASY FLOW 20 LT. MINI PUMP WITH VERTICAL CONNECTION EFV20	PCS	1

Datasheet



## MINI PUMP

### TECHNICAL SPECIFICATIONS

- Intake max 2 m vertical between floating body and pump
- Power supply 230V - 50Hz
- Alarm contact C-NO/NC 8A
- Power consumption 27 W
- Protection rating IP20
- Float body dimensions L 91 - H 39 - D 34 mm

### DIMENSIONS [mm]

- Tube: 6 x 9,5
- Pump: L 108 - W 38 - H 63
- Float body: L91 - W34 - H39

### WALL-MOUNTED APPLICATIONS

- Wall Splits
- Consoles
- Fan coils

### CEILING-MOUNTED APPLICATIONS

- Ceiling-mounted air conditioners
- Ducted

## MINI POMPE

### CARACTÉRISTIQUES TECHNIQUES

- Aspiration max. 2 m vertical entre le corps du flotteur et la pompe
- Alimentation 230 V - 50 Hz
- Contact d'alarme C-NO/NC 8A
- Consommation électrique 27 W
- Degré de protection IP20
- Dimensions du corps flottant L 91 - H 39 - D 34 mm

### DIMENSIONS [mm]

- Tuyau: 6 x 9,5
- pompe: L 108 - W 38 - H 63
- corps flottant: L91 - W34 - H39

### APPLICATIONS DE MONTAGE MURAL

- Split Muraux
- Consoles
- Ventilateurs-convecteurs

### APPLICATIONS DE MONTAGE AU PLAFOND

- Climatiseurs montés au plafond
- Canalisés

## MINIPUMPE

### TECHNISCHE EIGENSCHAFTEN

- Max. Ansaughöhe 2 m, vertikal, zwischen Schwimmerkörper und Pumpe
- Stromversorgung 230V - 50Hz
- C-NO/NC 8A Alarmkontakt
- Leistungsaufnahme 27 W
- Schutzart IP20
- Abmessungen Schwimmerkörper L 91 - H 39 - T 34 mm

### ABMESSUNGEN [mm]

- Rohr: 6 x 9,5
- Pumpe: L 108 - W 38 - H 63
- Schwimmerkörper: L91 - W34 - H39

### WANDMONTAGEANWENDUNGEN

- Wandmontierte Split
- Konsolen
- Gebläsekonvektoren

### DECKENMONTAGEANWENDUNGEN

- An der Decke montierte Klimaanlage
- Kanalisiert



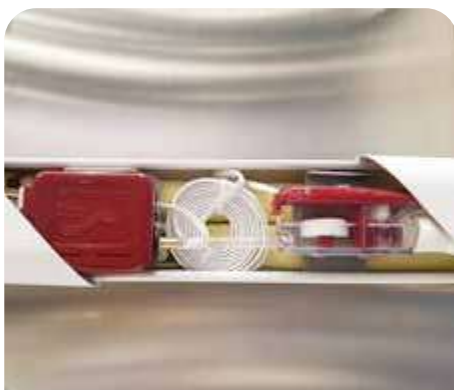
Video duct installation



Video installation in the split



With Double 8A NO-NC alarm contact



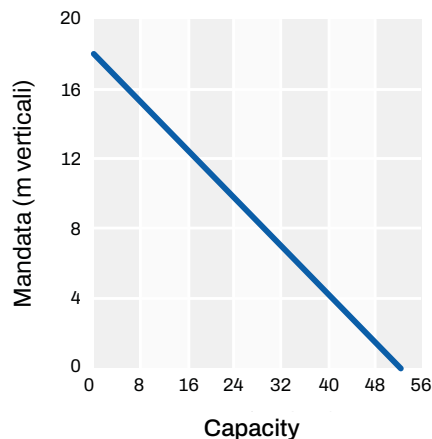
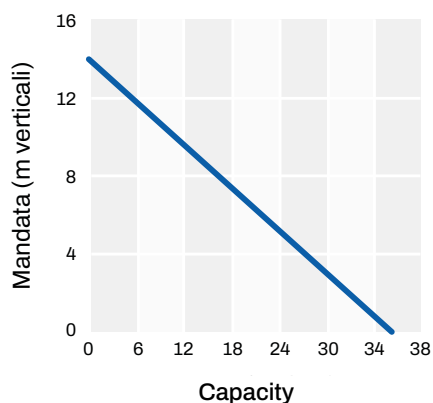
ADAPTABLE ALSO IN DUCT  
For installation see pag. 131



Float body with vertical coupling see spare parts catalog



Available in 12-PIECE COUNTER DISPLAY



**EF 30 LT.**

For air conditioners up to 30 kw

Max. Head 14 m

Sound level max. 50 db(a)

**EF 40 LT.**

For air conditioners up to 40 kw

Max. Head 18 m

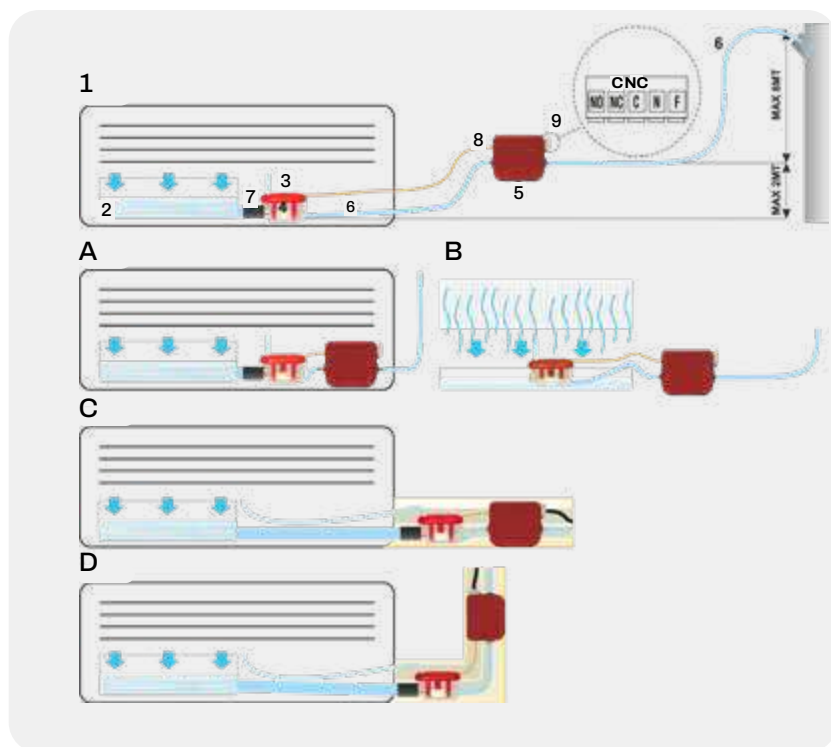
Sound level max. 51 db(a)

**EASY FLOW INSTALLATION MODE**

**LEGEND:**

- 1. Indoor Unit
- 2. Condensate drain pan
- 3. Air outlet
- 4. Floating case
- 5. Pump
- 6. Transparent pipe 4x6 Mm
- 7. Condensate drain pipe
- 8. Electrical connection cable
- 9. Power supply + alarm

- A. Installation of the floating case and pump in the indoor unit
- B. Installation of the floating case inside the condensate drain pan
- C. Installation of the floating case and of the pump inside the trunking T72
- D. Installation of floating case inside the trunking T72 and the pump vertically installed



CODE	DESCRIPTION	U.M.	Pieces per box
12170039	EASY FLOW 30 LT. MINI PUMP "EF30"	PCS	1
12170095	EASY FLOW 30 LT. MINI PUMP WITH VERTICAL CONNECTION EFV-30	PCS	1
12170040	EASY FLOW 40 LT. MINI PUMP "EF40"	PCS	1
12170096	EASY FLOW 40 LT. MINI PUMP WITH VERTICAL CONNECTION EFV40	PCS	1

Datasheet



 **MINI ACID CONDENSATE WATER PUMP**

**TECHNICAL SPECIFICATIONS**

- Flow rate 15 l/h
- Intake max 2 m vertical between floating body and pump
- Float body dimensions L 87 - H 38 - D 34 mm
- Max. 10 m vertical delivery between pump and water outlet
- Power supply 230 V - 50 Hz
- Alarm contact C-NO/NC 8A
- Max noise level 29 [dB(A)]
- Tube size Ø 4 x 6 mm
- pH minimum 2.5
- Max operating temperature +55°C
- Power consumption 19 W
- Protection rating IP20

 **MINI POMPE POUR EAU DE CONDENSAT ACIDE**

**CARACTÉRISTIQUES TECHNIQUES**

- Débit 15 l/h
- Aspiration max. 2 m vertical entre le corps du flotteur et la pompe
- Dimensions du corps flottant L 87 - H 38 - D 34 mm
- Alimentation max. 10 m verticalement entre la pompe et la sortie d'eau
- Alimentation électrique 230 V - 50 Hz
- Contact d'alarme C-NO/NC 8A
- Niveau sonore maximal 29 [dB(A)]
- Taille du tuyau Ø 4 x 6 mm
- Ph minimum 2,5
- Température maximale de fonctionnement +55 °C
- Consommation électrique 19 W
- Degré de protection IP20

 **MINIPUMPE FÜR SAURES KONDENSATWASSER**

**TECHNISCHE EIGENSCHAFTEN**

- Fördermenge 15 l/h
- Max. Ansaughöhe 2 m, vertikal, zwischen Schwimmerkörper und Pumpe
- Abmessungen Schwimmerkörper L 87 - H 38 - T 34 mm
- Max. Zufuhr 10 m vertikal zwischen Pumpe und Wasserauslass
- Versorgung 230 V - 50 Hz
- C-NO/NC 8A Alarmkontakt
- Max. Schallpegel 29 [dB(A)]
- Rohrdurchmesser Ø 4 x 6 mm
- Ph min. 2,5
- Max. Betriebstemperatur +55°C
- Leistungsaufnahme 19 W
- Schutzart IP20



**With Double 8A NO-NC alarm contact**



**Available in 8-PIECE COUNTER DISPLAY**

 **LARGER TANK**

To optimise operation of the pump with sealing gasket

 **RÉSERVOIR PLUS GRAND**

Pour optimiser le fonctionnement de la pompe avec joint d'étanchéité

 **GRÖßERER BEHÄLTER**

Zur Optimierung des Betriebs der Pumpe mit einer Dichtung ausgestattet

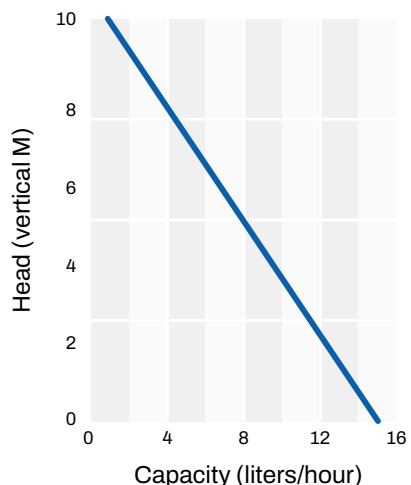


(L 91 - D 34 - H 39 mm)

**Accessories**



**FLOAT BODY WITH VERTICAL COUPLING**  
Dimensions: L 67 - P 30 - H 55 mm



### EF 15 LT.

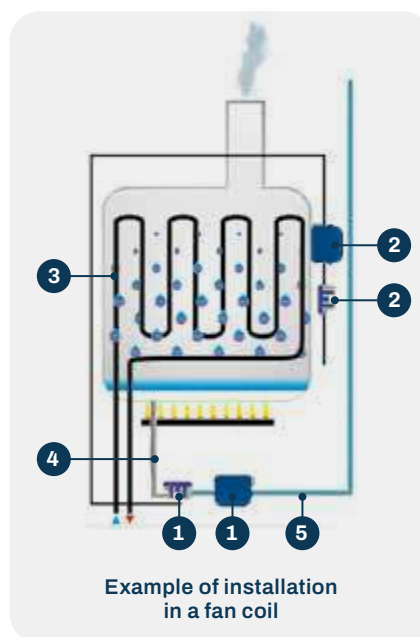
Flow rate 15 l/h

Max. 10 m vertical delivery

Power consumption 19 W

Protection rating IP20

### EXAMPLE OF INSTALLATION

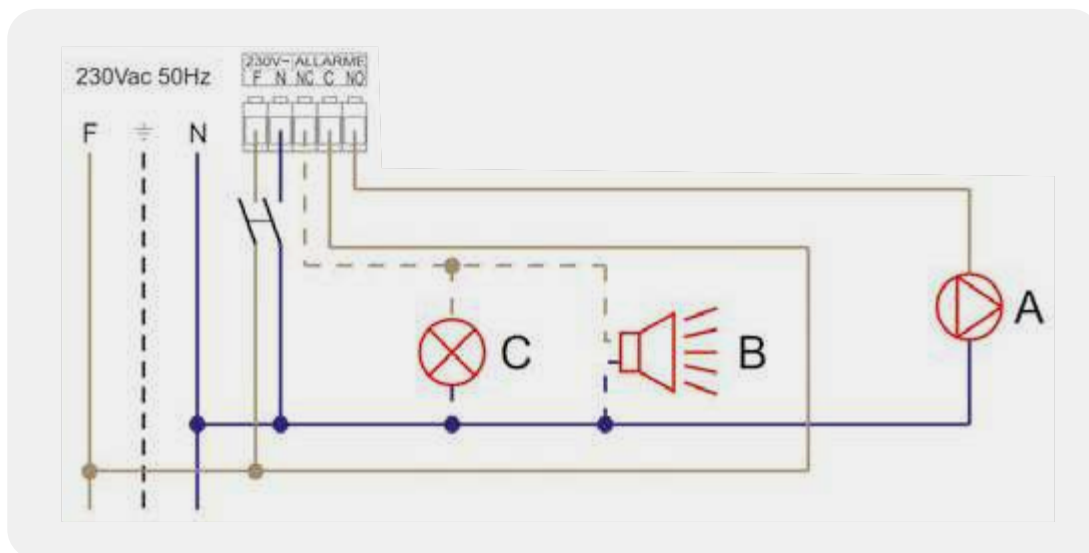


#### LEGENDA:

1. Easy flow pump EF-A
2. Easy flow pump EF-AV
3. Boiler
4. Acidic condensate
5. Trap

**WARNING!**  
DO NOT CONNECT  
TO BOILER FLUE

### ELECTRICAL ASSEMBLY DIAGRAM



#### LEGENDA:

- A. Boiler - Fan coil unit
- B. Audible alarm
- C. Alarm warning light

CODE	DESCRIPTION	U.M.	Pieces per box
12170050	MINI PUMP FOR ACIDIC CONDENSATE EF15-AV (W/VERTICAL CONNECTION) WITH FLOAT HOUSING	PCS	1
12170045	MINI PUMP FOR ACIDIC CONDENSATE EF15-A (W/HORIZONTAL CONNECTION) WITH FLOAT HOUSING	PCS	1
12170051	SPARE FLOAT HOUSING FOR MINI PUMP MODEL EF15-AV (W/VERTICAL CONNECTIONS)	PCS	1





## MINI PUMP

### TECHNICAL SPECIFICATIONS

- Flow rate 11 l/h for air conditioners up to 10 kW
- Intake max 2 m vertical between floating body and pump
- Max. 8 m vertical delivery between pump and water outlet
- Power supply 230V - 50Hz
- Alarm contact C-NO/NC 8A
- Power consumption 19 W
- Max noise level 21 [dB(A)]
- Protection rating IP20
- Pack includes pump, hose L = 1 m, vent pipe, double-sided adhesive tape, adapter sleeve and removable electrical connector

### DIMENSIONS [mm]

- Tube: 4 x 6
- Pump: L 97 - W 30 - H 55
- Float body: L91 - W34 - H39

### WALL-MOUNTED APPLICATIONS

- Wall Splits
- Consoles
- Fan coils

### CEILING-MOUNTED APPLICATIONS

- Ceiling-mounted air conditioners
- Ducted

## MINI POMPE

### CARACTÉRISTIQUES TECHNIQUES

- Débit 11 l/h pour les climatiseurs jusqu'à 10 kW
- Aspiration max. 2 m vertical entre le corps du flotteur et la pompe
- Alimentation max. 8 m verticalement entre la pompe et la sortie d'eau
- Alimentation 230 V - 50 Hz
- Contact d'alarme C-NO/NC 8A
- Consommation électrique 19 W
- Niveau sonore maximal 21 [dB(A)]
- Degré de protection IP20
- Emballage complet avec pompe, tube L = 1 m, tube de ventilation, adhésifs double face, manchon adaptateur et connecteur électrique amovible

### DIMENSIONS [mm]

- Tuyau: 4 x 6
- Pompe: L 97 - W 30 - H 55
- Corps flottant: L91 - W34 - H39

### APPLICATIONS DE MONTAGE MURAL

- Split Muraux
- Consoles
- Ventilconvecteurs

### APPLICATIONS DE MONTAGE AU PLAFOND

- Climatiseurs montés au plafond
- Canalisés

## MINIPUMPE

### TECHNISCHE EIGENSCHAFTEN

- Fördermenge 11 l/h für Klimaanlage bis 10 kW
- Max. Ansaughöhe 2 m, vertikal, zwischen Schwimmerkörper und Pumpe
- Max. Zufuhr 8 m vertikal zwischen Pumpe und Wasserauslass
- Stromversorgung 230V - 50Hz
- C-NO/NC 8A Alarmkontakt
- Leistungsaufnahme 19 W
- Max. Schallpegel 21 [dB(A)]
- Schutzart IP20
- Packung komplett mit Pumpe, Steuerleitung L = 1 m, Entlüftungsleitung, doppelseitigem Klebeband, Adapterhülse und abnehmbarem Elektrostecker

### ABMESSUNGEN [mm]

- Rohr: 4 x 6
- Pumpe: L 97 - W 30 - H 55
- Schwimmerkörper: L91 - W34 - H39

### WANDMONTAGEANWENDUNGEN

- Wandmontierte Split
- Konsolen
- Gebläsekonvektoren

### DECKENMONTAGEANWENDUNGEN

- An der Decke montierte Klimaanlage
- Kanalisiert



With Double 8A NO-NC alarm contact



ADAPTABLE ALSO IN DUCT  
For installation see pag. 131



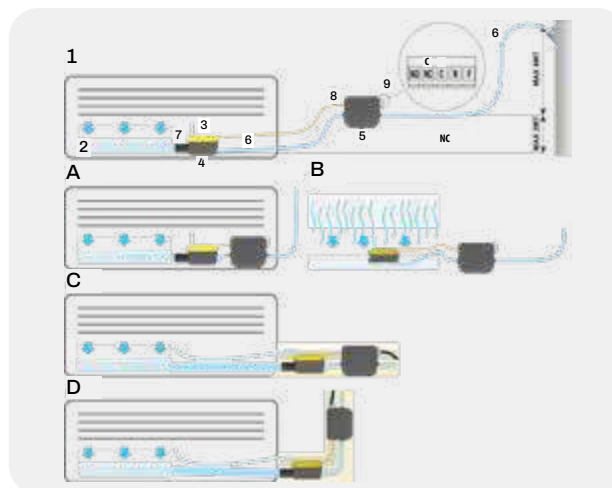
Available in 12-PIECE  
COUNTER DISPLAY

## ACQUA SPLIT PUMP INSTALLATION MODE

### LEGEND:

1. Indoor unit
2. Condensate drain pan
3. Air outlet
4. Floating case
5. Pump
6. Transparent pipe 4x6 mm
7. Condensate drain pipe
8. Electrical connection cable
9. Power supply + Alarm

- A. Installation of the floating case and pump in the indoor unit
- B. Installation of the floating case inside the condensate drain pan
- C. Installation of the floating case and of the pump inside the trunking T72
- D. Installation of floating case inside the trunking T72 and the pump vertically installed



Datasheet

CODE	DESCRIPTION	U.M.	Pieces per box
12170037G	"AQUA SPLIT" MINI PUMP 11 LT.	PCS	1



# PUMP EASY ONE

THE PUMP  
THAT SAVES TIME



Easy One  
Green

ULTRA COMPACT  
MONOBLOCK PUMP

POSSIBILITY OF  
INSTALLATION IN  
"EXCELLENS T72" AND  
"OPTIMA T75" DUCTS

REMOVABLE  
ELECTRIC CONNECTOR  
FOR FAST INSTALLATION  
AND MAINTENANCE

NEW PUMP LOW  
NOISE 21 DB(A)

SOUND-ABSORBING  
SHELL IN PLASTIC  
MATERIAL

SEATS FOR THE DUCT FIXING KIT

TRANSPARENT "EASY CLEANING" FLOAT  
FOR QUICK AND EASY INSPECTION  
AND MAINTENANCE

SUPPLIED COMPLETE WITH FIXING BRACKET,  
DOUBLE-SIDED TAPE AND ADAPTER SLEEVE

80°C THERMAL SWITCH

BUILT-IN DOUBLE  
NON-RETURN VALVE

BUILT-IN CONTACT  
ALARM NO / 6A

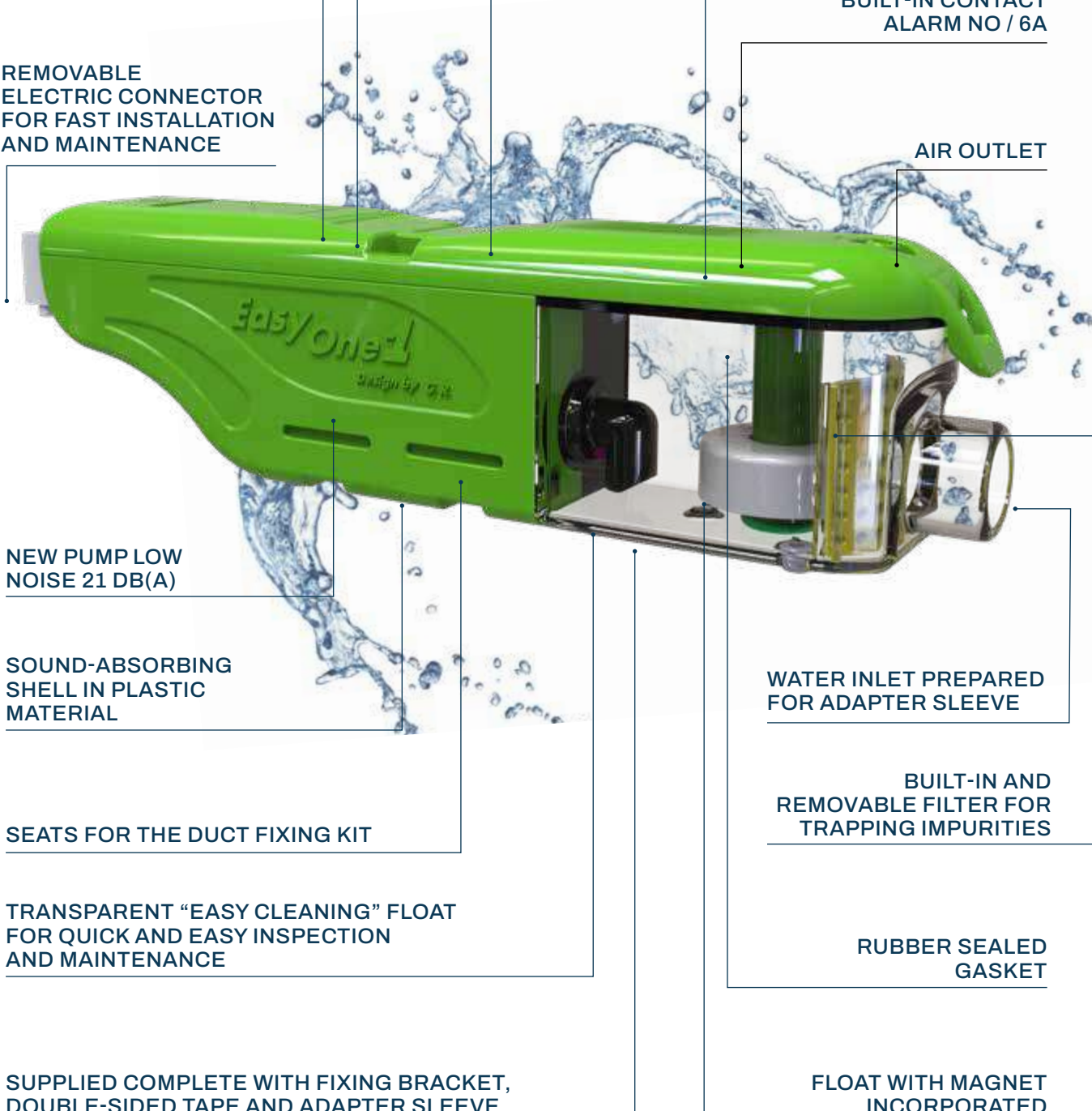
AIR OUTLET

WATER INLET PREPARED  
FOR ADAPTER SLEEVE

BUILT-IN AND  
REMOVABLE FILTER FOR  
TRAPPING IMPURITIES

RUBBER SEALED  
GASKET

FLOAT WITH MAGNET  
INCORPORATED



 **MONOBLOC CONDENSATE DRAIN PUMP**

**TECHNICAL SPECIFICATIONS**

- Intake 0 m (gravity fed)
- Power supply 230V - 50Hz
- Power consumption: 15 W
- Alarm contact: C-NO/NC 6A
- Power cord + alarm: L = 1.5 m
- Transparent tank that can be inspected for routine maintenance
- Tank with sealing gasket

**DIMENSIONS [mm]**

- Tube: 4 x 6
- Pump: L 180 - W 46 - H 33

 **POMPE DE VIDANGE DES CONDENSATS MONOBLOC**

**CARACTÉRISTIQUES TECHNIQUES**

- Intake 0 m (gravity fed)
- Power supply 230V - 50Hz
- Power consumption: 15 W
- Alarm contact: C-NO/NC 6A
- Power cord + alarm: L = 1.5 m
- Transparent tank that can be inspected for routine maintenance
- Tank with sealing gasket

**DIMENSIONS [mm]**

- Tuyau: 4 x 6
- Pompe: L 180 - W 46 - H 33

 **MONOBLOCK-KONDENSA-TABLAUFpumpe**

**TECHNISCHE EIGENSCHAFTEN**

- Ansaughöhe 0 m (Schwerkraft)
- Stromversorgung 230V - 50Hz
- Stromnutzung: 15 W
- Alarm Kontakt: C-NO/NC 6A
- Strom- und Alarmskabel: L = 1.5 m
- Transparenter Tank, der für routinemäßige Wartungsarbeiten inspiziert werden kann
- Tank mit Dichtung

**ABMESSUNGEN [mm]**

- Rohr: 4 x 6
- Pumpe: L 180 - W 46 - H 33



**ENG** Reduction in installation times  
**FR** Réduction des temps d'installation  
**DEU** Verkürzung der montageszeiten



**ENG** Lower consumption  
**FR** Baisse de la consommation  
**DEU** Geringerer verbrauch



**ENG** Simplified assembly  
**FR** Montage simplifié  
**DEU** Vereinfachte montage

**Video installation in split**



**With Double 8A NO-NC alarm contact**

**Virtual reality**

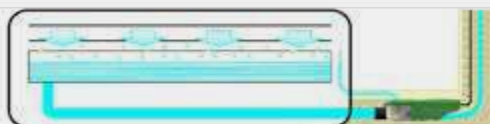


**ADAPTABLE ALSO IN DUCT**  
For installation see pag. 131

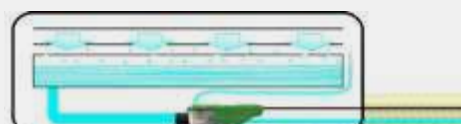


**Available in 12-PIECE COUNTER DISPLAY**

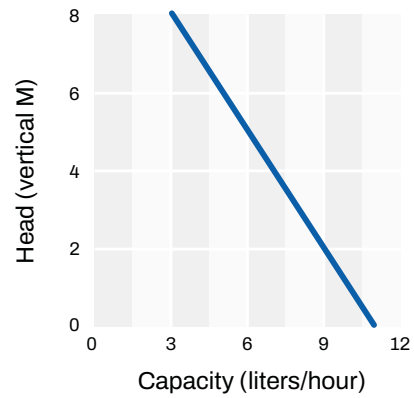
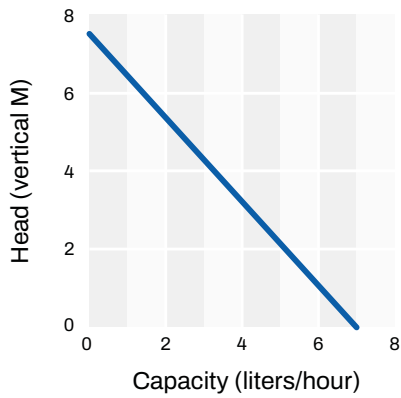
**EXAMPLE OF INSTALLATION**



**In the horizontal trunking**



**Inside the split**



**EF 7 LT.**

For air conditioners up to 5 kw

Max. Head 7 m

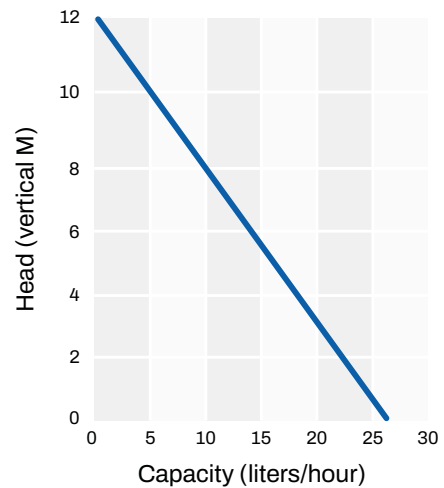
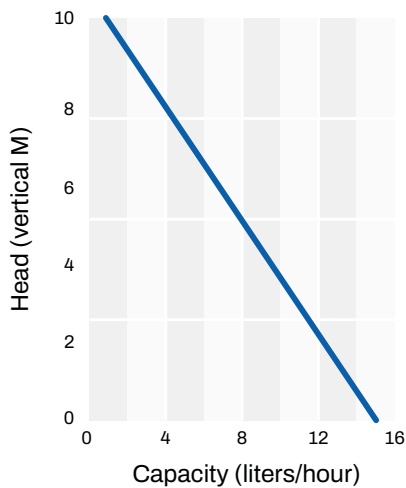
Sound level max. 21 db(a)

**EF 11 LT.**

For air conditioners up to 10 kw

Max. Head 8 m

Sound level max. 21 db(a)



**EF 15 LT.**

For air conditioners up to 16 kw

Max. Head 10 m

Sound level max. 29 db(a)

**EF 20 LT.**

For air conditioners up to 20 kw

Max. Head 12 m

Sound level max. 29 db(a)

CODE	DESCRIPTION	U.M.	Pieces per box
12170300	SELF-CONTAINED CONDENSATE PUMP EASY ONE - 7 LT.	PCS	1
12170310	SELF-CONTAINED CONDENSATE PUMP EASY ONE - 11 LT.	PCS	1
12170320	SELF-CONTAINED CONDENSATE PUMP EASY ONE - 15 LT.	PCS	1
12170330	SELF-CONTAINED CONDENSATE PUMP EASY ONE - 20 LT.	PCS	1



# PUMP WITH OPEN COVER FOR TANK INSPECTION

LED LIGHT SIGNALS PUMP OPERATION FOR MODELS WITH THIS OPTION

2 HOLES FOR FASTENING

CABLE + ALARM

SUCTION HOSE OF CONDENSATE FROM TANK

AESTHETIC BODIES IN ABS PLASTIC



## WITH SIGNAL LEDS

- YELLOW: POWER SUPPLY
- GREEN: OPERATION
- RED: ALARM

AVAILABLE IN AN 8-PIECE COUNTER DISPLAY

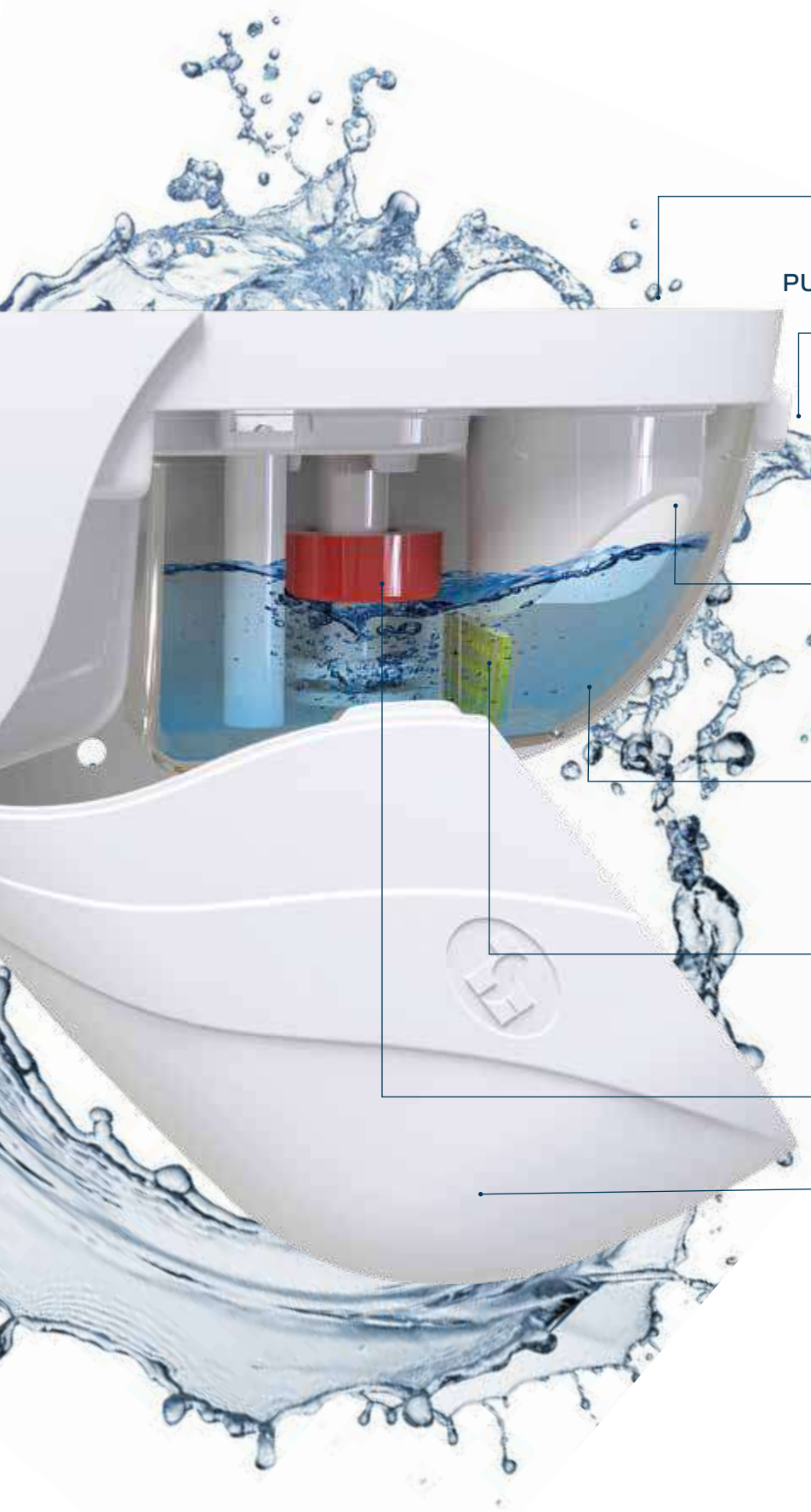






MADE IN ITALY

# SORRISO



CONNECTION FOR DRAIN  
Ø 4 X 6 MM PIPE

PUSH-BOTTOM TO OPEN/CLOSE  
THE INSPECTION HATCH

INLET OF WATER  
CONDENSATE

TRANSPARENT  
EASY TO INSPECT AND  
WASHABLE TANK

FILTER OF TANK

POLYSTYRENE FLOAT

INSPECTION HATCH

Smart Klima

 YouTube



INSTALLATION  
IN THE SPLIT

# SORRISO CLIMA LED - SC 11 LT AND SORRISO CLIMA - SC 11 LT

SORRISO

CE MADE IN ITALY



## CONDENSATE DRAIN SUB-SPLIT PUMP

### TECHNICAL SPECIFICATIONS

- Max. 8 m vertical delivery between pump and water outlet
- Alarm contact C-NO 6A
- Power consumption 19 W
- Flow rate 11 l/h for air conditioners up to 10 kW
- Max noise level 21 [dB(A)]
- Protection rating IP20

### DIMENSIONS [mm]

- Tube: 4 x 6
- Pump: L 225 X P 60 X H 70



## POMPE DRAINAGE CONDENSAT DE DESSOUS-SPLIT CARACTÉRISTIQUES TECHNIQUES

- Max. 8 m vertical delivery between pump and water outlet
- Alarm contact C-NO 6A
- Power consumption 19 W
- Flow rate 11 l/h for air conditioners up to 10 kW
- Max noise level 21 [dB(A)]
- Protection rating IP20

### DIMENSIONS [mm]

- Tuyau: 4 x 6
- Pompe: L 225 X P 60 X H 70



## KONDENSATABLASSPUMPE SC 11 LT FÜR UNTER-SPLIT

### TECHNISCHE EIGENSCHAFTEN

- Max. 8 m vertikale Förderhöhe zwischen Pumpe und Wasserauslass
- Alarmkontakt C-NO 6A
- Leistungsaufnahme 19 W
- Durchflussmenge 11 l/h für Klimaanlage bis 10 kW
- Max. Geräuschpegel 21 [dB(A)]
- Schutzart IP20

### ABMESSUNGEN [mm]

- Rohr: 4 x 6
- Pumpe: L 225 X P 60 X H 70

With Double 8A  
NO-NC alarm contact

Available without LED



Pump with LED



Pump without LED

Virtual reality



Video installation in split



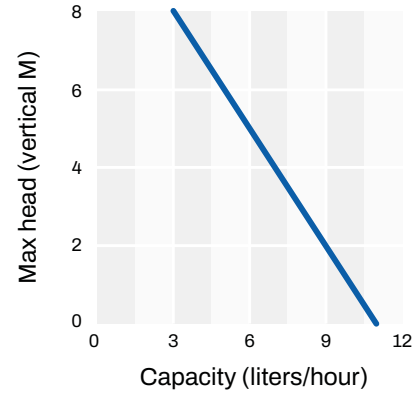
### PUMP WITH LED

- YELLOW: POWER SUPPLY
- GREEN: OPERATION
- RED: ALARM \*

**\*ATTENTION:** The presence of the alarm led does not exclude the connection of the alarm wires as per the installation scheme.



### PUMP WITH OPEN COVER FOR TANK INSPECTION



### SORRISO 7 LT 11

For air conditioners up to 10 kw

Max. Head 8 m

Sound level max. 21 db(a)

### PUMP WITH INSPECTIONABLE TANK



#### WITH INSPECTIONABLE TANK APPLICATIONS

- Wall-mounted air conditioners
- Wall-mounted fan coils

#### AVEC RÉSERVOIR INSPECTABLE APPLICATIONS

- Climatiseurs muraux
- Ventilo-convecteurs muraux

#### MIT INSPIZIERBAREM TANK ANWENDUNGEN

- Wandmontierte air conditioners
- Wandmontierte Gebläsekonvektoren

CODE	DESCRIPTION	U.M.	Pieces per box
12170100L	UNDERMOUNT SPLIT CONDENSATE PUMP SORRISO CLIMA LED-SC 11 LT.	PCS	1
12170100	UNDERMOUNT SPLIT CONDENSATE PUMP SORRISO CLIMA-SC 11 LT.	PCS	1

[Datasheet](#)



# SORRISO LED - SCA 15 LT AND SORRISO - SCA 15 LT

SORRISO

CE MADE IN ITALY



## UNDER BOILER ACID CONDENSATE WATER PUMP

### TECHNICAL SPECIFICATIONS

- Flow rate 15 l/h
- Max. 10 m vertical delivery between pump and water outlet
- Power supply 230 V - 50 Hz
- Alarm contact C-NO 6A
- Pipe dimensions Ø 4 x 6 (mm)
- Pump dimensions W 220 x H 50 x D 70 mm
- Power consumption 19 W
- Max. noise level 29 [dB (A)]
- Protection rating IP20
- Available in an 8-piece counter display

## POMPE POUR EAU DE CONDENSAT ACIDE DE DESSOUS CHAUDIÈRE

### CARACTÉRISTIQUES TECHNIQUES

- Débit 15 l/h
- Alimentation max. 10 m verticalement entre la pompe et la sortie d'eau
- Alimentation électrique 230 V - 50 Hz
- Contact d'alarme C-NO 6A
- Dimensions du tuyau Ø 4 x 6 (mm)
- Dimensions de la pompe L 220 x H 50 x P 70 mm
- Consommation électrique 19 W
- Niveau sonore max. 29 [dB (A)]
- Degré de protection IP20
- Disponible dans un présentoir de comptoir de 8 pièces

## UNTERKESSEL-KONDENSA- TIONSWASSERPUMPE

### TECHNISCHE EIGENSCHAFTEN

- Fördermenge 15 l/h
- Max. Zufuhr 10 m vertikal zwischen Pumpe und Wasserauslass
- Versorgung 230 V - 50 Hz
- C-NO 6A Alarmkontakt
- Rohrdurchmesser Ø 4 x 6 (mm)
- Pumpenabmessungen B 220 x H 50 x T 70 mm
- Leistungsaufnahme 19 W
- Max. Schallpegel 29 [dB (A)]
- Schutzart IP20
- Erhältlich in einem 8-teiligen Thekenaussteller

6A C-NO Alarm contact

Available without LED



Video  
installation  
in split



### PUMP WITH LED

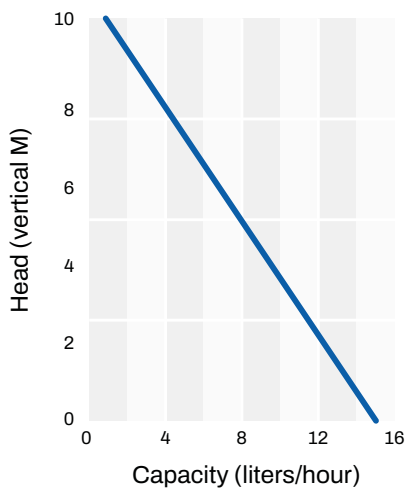
- YELLOW: POWER SUPPLY
- GREEN: OPERATION
- RED: ALARM \*

**\*ATTENTION:** The presence of the alarm led does not exclude the connection of the alarm wires as per the installation scheme.



### PUMP WITH OPEN COVER FOR TANK INSPECTION

## EF 15 LT.



## PUMP WITH INSPECTIONABLE TANK



### WITH INSPECTIONABLE TANK APPLICATIONS

- Condensing boilers



CODE	DESCRIPTION	U.M.	Pieces per box	Datasheet
12170101L	PUMP FOR ACIDIC CONDENSATE SORRISO LED-SCA 15 LT.	PCS	1	
12170101	PUMP FOR ACIDIC CONDENSATE SORRISO-SCA 15 LT.	PCS	1	



## CENTRIFUGAL PUMP FOR BOX AIR CONDITIONERS

### TECHNICAL SPECIFICATIONS

- Max flow rate 24 lt/h
- Max. delivery 1.2 m
- Power supply 230V - 50Hz
- Power consumption 12 W
- Operating conditions: temp. water 0°C / +40°C, tem. room: -10°C / + 45°C
- Noise level 40 [dB(A)]
- Motor protection thermal sensor: 145°C ± 5°C
- Water coupling diameter: 13mm
- Power cable L 450 mm
- Pump height 100 mm
- Fastening 4 x Ø 6 mm on metal plate

## POMPE CENTRIFUGE POUR CONDITIONNEURS D'AIR À CASSETTE

### CARACTÉRISTIQUES TECHNIQUES

- Débit max 24 l/h
- Alimentation max. 1,2 m
- Alimentation 230 V - 50 Hz
- Consommation électrique 12 W
- Conditions de travail : Temp eau 0°C / +40°C, Temp environnement: -10°C / + 45°C
- Niveau sonore 40 [dB(A)]
- Capteur thermique de protection du moteur : 145°C ± 5°C
- Diamètre du raccord d'eau : 13 mm
- Câble d'alimentation L 450 mm
- Hauteur de la pompe 100 mm
- Fixation de 4 x Ø 6 mm sur plaque métallique

## KREISELPUMPE FÜR KASSETTENKLIMAAANLAGEN

### TECHNISCHE EIGENSCHAFTEN

- Max. Durchfluss 24 lt/h
- Max. Zufuhr 1,2 m
- Stromversorgung 230V - 50Hz
- Leistungsaufnahme 12 W
- Arbeitsbedingungen: temperP Wasser 0°C / +40°C, temperP Umgebung: -10°C / + 45°C
- Schallpegel 40 [dB(A)]
- Motorschutz-Thermosensor: 145°C ± 5°C
- Wasseranschlussdurchmesser: 13 mm
- Netzkabel L 450 mm
- Pumpenhöhe 100 mm
- Befestigung 4 x Ø 6 mm auf Metallplatte




Flow rate: 24 l/h



Datasheet



CODE	DESCRIPTION	U.M.	 Pieces per box
12170200	CENTRIFUGAL PUMP	PCS	1

## CENTRIFUGAL PUMP FLOAT

### TECHNICAL SPECIFICATIONS

- Contact NC
- Float stroke 11 mm
- Contact rating 50 VA / 50 W
- Maximum voltage 200 V (DC) 265 V (AC)
- Maximum current 1.0 A (DC) 0.6 A (AC)
- Operating temperature: -10°C to +60°C
- For water fluids (density 1 g/cm<sup>3</sup>)
- 2-wire cable L 2000 mm
- Float block dimensions Ø 25 mm H 44 mm (cable excluded)
- Closure by nut and locknut with sealing gasket

## FLOTTEUR DE POMPE CENTRIFUGE

### CARACTÉRISTIQUES TECHNIQUES

- Contact Nc
- Course du flotteur 11 mm
- Capacité de contact 50 Va / 50 W
- Tension maximale 200 V (cc) 265 V (ca)
- Courant maximal 1,0 A (cc) 0,6 A (ca)
- Température de fonctionnement : -10°C à +60°C
- Pour fluides aqueux (densité 1 g/cm<sup>3</sup>)
- Câble à 2 fils L 2 000 mm
- Dimensions du bloc flottant Ø 25 mm H 44 mm (câble exclu)
- Fermeture par écrou et contre-écrou avec joint d'étanchéité

## SCHWIMMER FÜR KREISELPUMPE


### TECHNISCHE EIGENSCHAFTEN

- NC-Kontakt
- Schwimmerhub 11 mm
- 50 Va / 50 W Kontaktkapazität
- Maximale Spannung 200 V (DC) 265 V (AC)
- Maximaler Strom 1,0 A (DC) 0,6 A (AC)
- Betriebstemperatur: Von -10°C bis +60°C
- Für Wasserflüssigkeiten (Dichte 1 g/cm<sup>3</sup>)
- 2-Draht-Kabel L 2000 mm
- Schwimmerblockabmessungen Ø 25 mm H 44 mm (Kabel ausgeschlossen)
- Verschluss durch Mutter und Kontermutter mit Dichtung



Datasheet



CODE	DESCRIPTION	U.M.	 Pieces per box
12170210	FLOAT FOR CENTRIFUGAL PUMP	PCS	1

# PUMPS SMARTFLOW



CAPACITY FROM  
20 - 30 - 40 LT/HR

UPPER CONDENSATE  
INLET

LOW NOISE  
FROM 29 DB(A)  
TO 53 DB(A)

INSPECTION COVER

CONDENSATE DRAIN  
CONNECTION

POWER CABLE  
+ ALARM

INSPECTABLE TANK,  
EQUIPPED WITH  
REMOVABLE FILTER

LOWER INLET  
FOR CONDENSATE  
WATER

ABS PLASTIC BODY

BASE FOR  
ANTI-VIBRATION WITH WALL  
INSTALLATION



## CONDENSATE COLLECTION PUMP

### TECHNICAL SPECIFICATIONS

- Power supply 230V - 50Hz
- Alarm contact C-NO 6A
- Protection rating IP X7
- Pump dimensions 143 x 76 x 62.3 mm
- Connection hose for SMART FLOW-SF pump 20 Ø 4 x 6 mm
- Connection hose for SMART FLOW-SF pump 30-40 Ø 6 x 9.25 mm

## POMPE COLLECTE CONDENSAT

### CARACTÉRISTIQUES TECHNIQUES

- Alimentation 230 V - 50 Hz
- Contact d'alarme C-NO 6A
- Indice de protection IP X7
- Dimensions de la pompe 143 x 76 x 62,3 mm
- Tuyau de raccordement pour pompe SMART FLOW-SF 20 Ø 4 x 6 mm
- Tuyau de raccordement pour pompe SMART FLOW-SF 30-40 Ø 6 x 9,25 mm

## KONDENSATSAMMELPUMPE

### TECHNISCHE EIGENSCHAFTEN

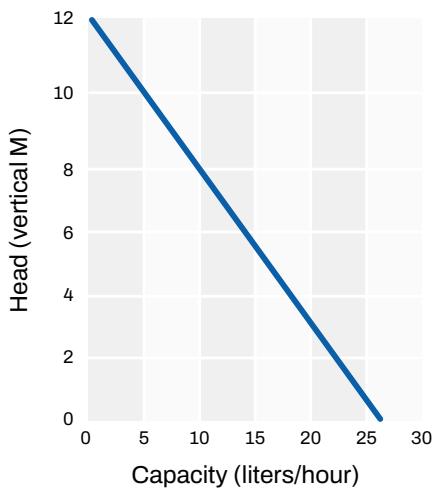
- Stromversorgung 230V - 50Hz
- C-NO 6A Alarmkontakt
- Schutzart IP X7
- Pumpenabmessungen 143 x 76 x 62,3 mm
- Anschlusschlauch für Pumpe SMART FLOW-SF 20 Ø 4 x 6 mm
- Anschlusschlauch für Pumpe SMART FLOW-SF 30-40 Ø 6 x 9,25 mm



Available in an 8-pieces counter display

### APPLICATIONS

- Column air conditioners
- Refrigerant
- Display cabinets
- Refrigerated cabinets
- Fridge counters
- Evaporators
- Ceiling-mounted
- Air conditioners



### SF 20 LT.

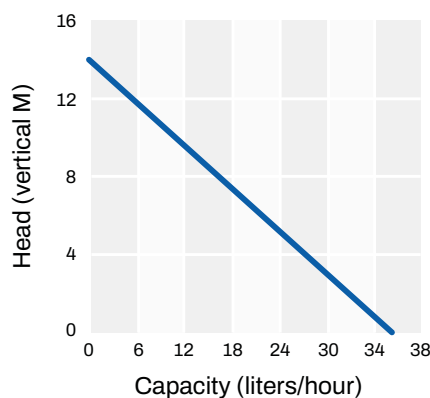
Flow rate 20 l/h for units up to 20 kW

Max. head 12 m

Power consumption 19 W

Sound level max. 29 db(A)

Pipe dimensions: Ø 4 x 6 mm



### SF 30 LT.

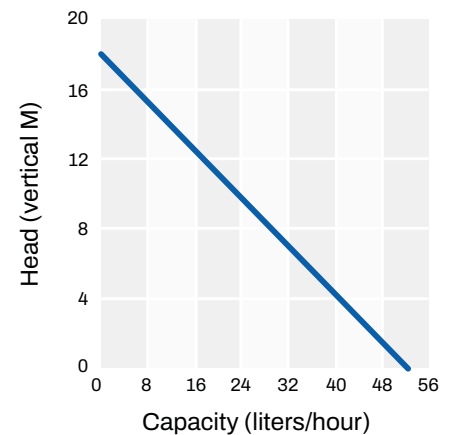
Flow rate 30 l/h for units up to 30 kW

Max. head 14 m

Power consumption 25 W

Sound level max. 50 db(A)

Pipe dimensions: Ø 6 x 9,5 mm



### SF 40 LT.

Flow rate 40 l/h for units up to 40 kW

Max. head 18 m

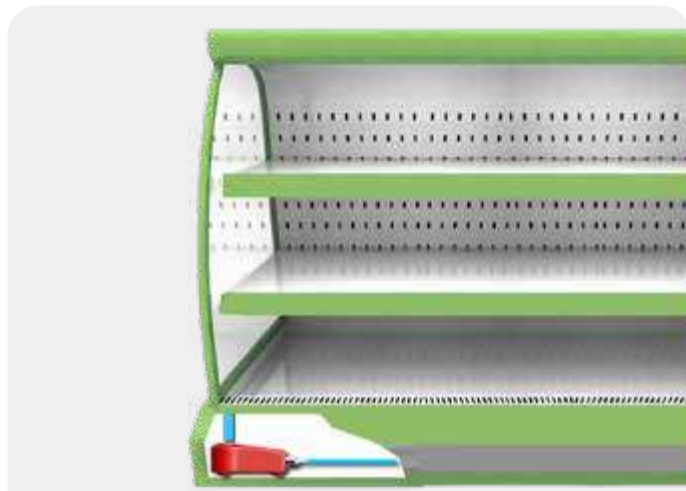
Power consumption 27 W

Sound level max. 53 db(A)

Pipe dimensions: Ø 6 x 9,5 mm



Pump inside the tray condensate inlet on the bottom of the pump



Pump inside the tray condensate inlet on the top of the pump

CODE	DESCRIPTION	U.M.	Pieces per box	Datasheet
12170105	SMART FLOW-SF 20 LT. CONDENSATE COLLECTION PUMP	PCS	1	
12170106	SMART FLOW-SF 30 LT. CONDENSATE COLLECTION PUMP	PCS	1	
12170107	SMART FLOW-SF 40 LT. CONDENSATE COLLECTION PUMP	PCS	1	

## SMART FLOW - SF 15 A LT



### ACID CONDENSATE WATER PUMP

#### TECHNICAL SPECIFICATIONS

- Flow rate 15 l/h
- Power supply 230V - 50Hz
- Alarm contact 8A CO-NO
- Power consumption 19 W
- Protection rating IP67
- Max noise level 29 [dB(A)]
- Max. 10 m vertical delivery
- Ø connection pipe (mm) Ø internal 4 / Ø external 6
- Dimensions W 143 x H 62,3 x D 76 mm
- Max water temperature 55° C

### POMPE POUR EAU DE CONDENSAT ACIDE

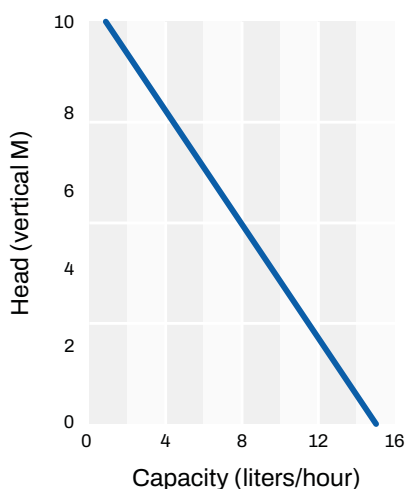
#### CARACTÉRISTIQUES TECHNIQUES

- Débit 15 l/h
- Alimentation 230 V - 50 Hz
- Contact d'alarme 8A CO-NO
- Consommation électrique 19 W
- Degré de protection IP67
- Niveau sonore maximal 29 [dB(A)]
- Alimentation max. 10 m verticalement
- Tube de raccordement Ø (mm) Ø interne 4 / Ø externe 6
- Dimensions L 143 x H 62,3 x P 76 mm
- Température maximale de l'eau 55° C

### KONDENSATPUMPE FÜR SAURES WASSER

#### TECHNISCHE EIGENSCHAFTEN

- Fördermenge 15 l/h
- Stromversorgung 230V - 50Hz
- 8A CO-NO Alarmkontakt
- Leistungsaufnahme 19 W
- Schutzart IP67
- Max. Schallpegel 29 [dB(A)]
- Max. Zufuhr vertikal 10 m
- Anschlussrohr Ø (mm) Innen-Ø 4 / Außen-Ø 6
- Abmessungen B 143 x H 62,3 x T 76 mm
- Max. Wassertemperatur 55° C



#### EF 15 LT.

- Flow rate 15 l/h
- Max. 10 m vertical delivery
- Power consumption 19 w
- Max noise level 29 [db(A)]
- Ø connection pipe (mm) Ø internal 4 / Ø external 6

Datasheet

CODE	DESCRIPTION	U.M.	Pieces per box	Datasheet
SGD600001	ACID CONDENSATE WATER PUMP SMART FLOW - SF 15 A	PCS	1	

# CENTRIFUGAL PUMPS WITH TANK

SOUND LEVEL  
FROM 56 DB(A) TO 59 DB(A)

---

POWER CABLE

---

UPPER INLETS FOR CONDENSATE PIPE

---

CABLES FOR CONNECTING THE ALARM'S  
MICRO SWITCH

---

PLASTIC IMPELLER

---





# Water TANK

ELECTRIC MOTOR

CAPACITY FROM 120 LT/  
HR UP TO 460 LT/HR

2 HOLES FOR WALL  
MOUNTING

CONNECTION FOR CONDENSATE  
DRAIN PIPE Ø 8 X 12 MM

TANK FROM 0.2LT TO 3LT

INSPECTABLE AND WASHABLE  
CONDENSATE COLLECTION TANK

 **CENTRIFUGAL PUMP WITH CONDENSATE TANK**

**TECHNICAL SPECIFICATIONS**

- Power supply 230V - 50Hz
- Protection rating IPX4
- Liquid limit temperature 43°C
- Built-in non-return valve
- Power cord length 1.7 m
- Exhaust pipe output 8 mm internal - 12 mm external

 **POMPE CENTRIFUGE AVEC RÉSERVOIR POUR EAU DE CONDENSATION**

**CARACTÉRISTIQUES TECHNIQUES**

- Alimentation 230 V - 50 Hz
- Degré de protection IPX4
- Température limite du liquide 43°C
- Clapet anti-retour intégré
- Longueur du câble d'alimentation 1,7 m
- Sortie de tuyau d'échappement 8 mm à l'intérieur - 12 mm à l'extérieur

 **KREISELPUMPE MIT KONDENSATBEHÄLTER**

**TECHNISCHE EIGENSCHAFTEN**

- Stromversorgung 230V - 50Hz
- Schutzart IPX4
- Flüssigkeitsgrenztemperatur 43°C
- Eingebautes Rückschlagventil
- Kabellänge 2 m
- Auslass für Ablassrohr 8 mm innen - 12 mm außen




Also for boiler acid condensate water

Dual NC 24 V AC max alarm contact

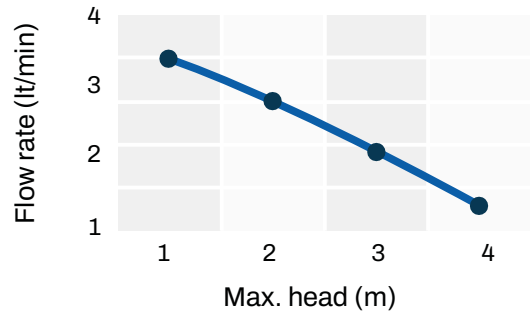
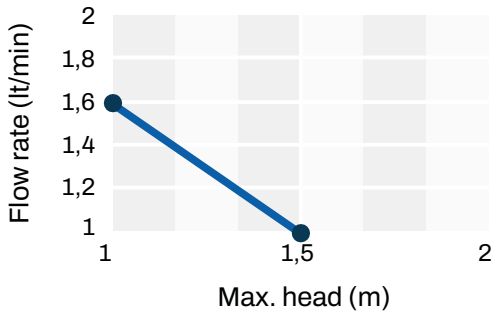
**APPLICATIONS**

- Column air conditioners
- Refrigerant display cabinets
- Refrigerated cabinets
- Fridge counters
- Evaporators
- Ceiling-mounted air conditioners

CODE	DESCRIPTION	U.M.	 Pieces per box
12170027	CENTRIFUGAL CONDENSATE TANK PUMPS MOD.TS120	PCS	1
12170013	CENTRIFUGAL CONDENSATE TANK PUMPS MOD. TS200	PCS	1
12170012	CENTRIFUGAL CONDENSATE TANK PUMPS MOD. TS380	PCS	1
12170011	CENTRIFUGAL CONDENSATE TANK PUMPS MOD. TS460	PCS	1

[Datasheet](#)



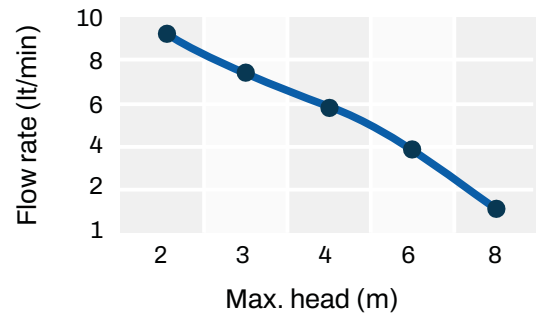
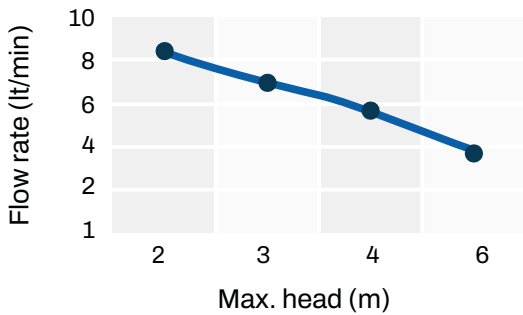


**TS 120**

Max. Head 1,5 m
Power consumption 28,3 W
Sound level max. 56 db(A)
Tank capacity 0,2 lt
Max. Capacity 120 lt
Exhaust inlet: n°1 Ø 20
Dimensions: L 170 - P 72 - H 115 / 0,9 kg

**TS 200**

Max. Head 4 m
Power consumption 30,8 W
Sound level max. 59 db(A)
Tank capacity 1,7 lt
Max. Capacity 200 lt
Exhaust inlet: n°3 Ø 29
Dimensions: L 282 - P 127 - H 177 / 1,8 kg



**TS 380**

Max. Head 6 m
Power consumption 147 W
Sound level max. 58 db(A)
Tank capacity 1,7 lt
Max. Capacity 380 lt
Exhaust inlet: n°3 Ø 29
Dimensions: L 282 - P 127 - H 177 / 2,1 kg

**TS 460**

Max. Head 8 m
Power consumption 88 W
Sound level max. 56 db(A)
Tank capacity 3 lt
Max. Capacity 460 lt
Exhaust inlet: n°4 Ø 29
Dimensions: L 302 - P 152 - H 220 / 2,8 kg

 **NEBULISER PUMP FOR ENERGY SAVING**

**TECHNICAL SPECIFICATIONS**

- Power supply 230V - 50Hz
- Power consumption 47 W
- Protection rating IP20
- Max noise level 59 [dB(A)]
- Max flow rate 7 l/h
- Max pressure 15 bar

**DIMENSIONS**

- H: 250 mm
- L: 250 mm
- D: 90 mm

 **POMPE DE NÉBULISEUR POUR ÉCONOMIE D'ÉNERGIE**

**CARACTÉRISTIQUES TECHNIQUES**

- Alimentation 230 V - 50 Hz
- Consommation électrique 47 W
- Degré de protection IP20
- Niveau sonore maximal 59 [dB(A)]
- Débit maxi 7 l/h
- Pression max 15 bar

**DIMENSIONS**

- H: 250 mm
- L: 250 mm
- P: 90 mm

 **ZERSTÄUBERPUMPE ZUR ENERGIEEINSPARUNG**

**TECHNISCHE EIGENSCHAFTEN**

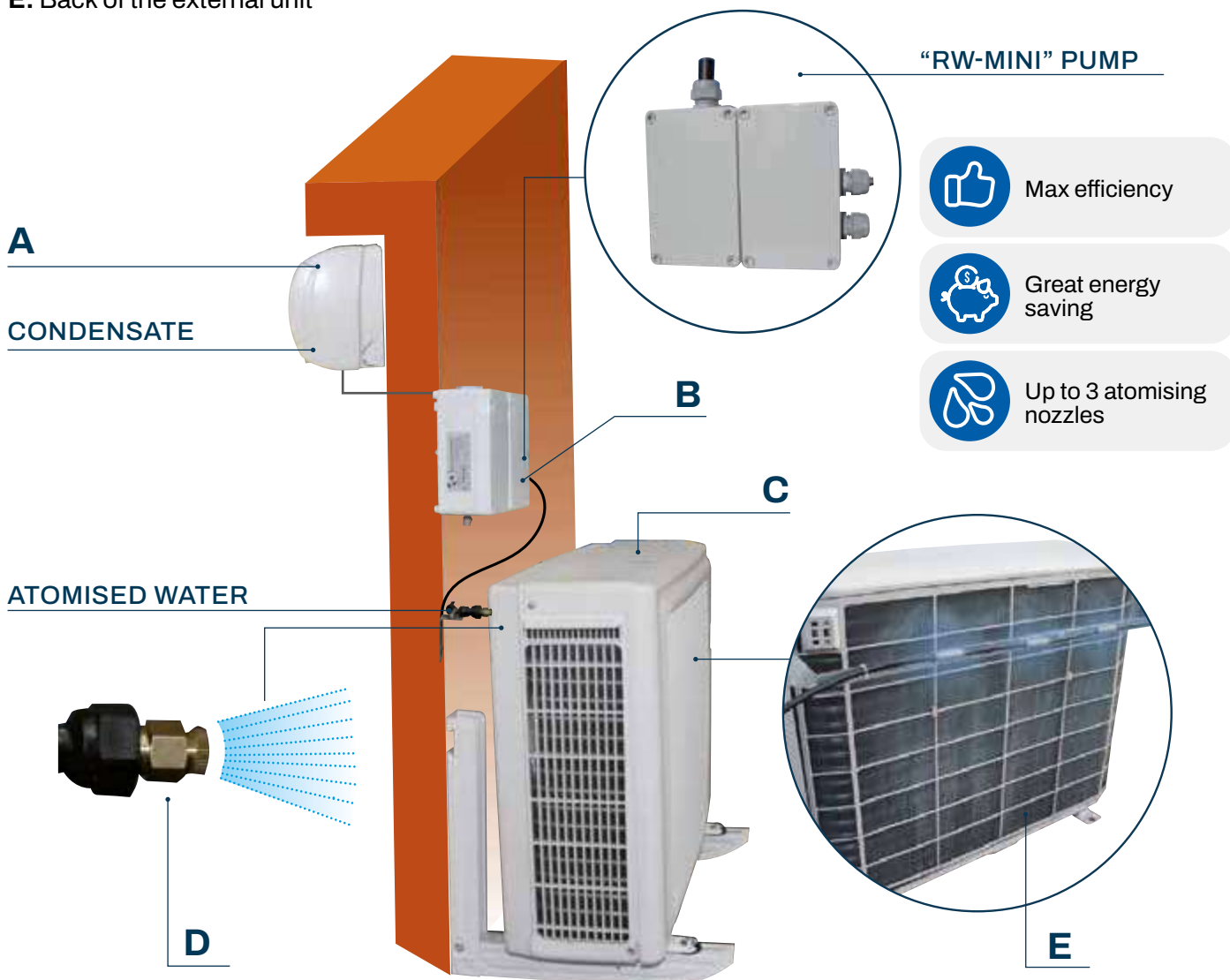
- Stromversorgung 230V - 50Hz
- Leistungsaufnahme 47 W
- Schutzart IP20
- Max. Schallpegel 59 [dB(A)]
- Max. Fördermenge 7 l/h
- Druck max. 15 bar

**ABMESSUNGEN**

- H: 250 mm
- L: 250 mm
- T: 90 mm

**LEGEND:**

- A. Internal unit
- B. RW Mini nebulizer
- C. External unit
- D. Nebulizer nozzle
- E. Back of the external unit



**NEBULISER PUMP FOR ENERGY SAVING**

IDEAL FOR DISPOSING OF THE WATER ON TERRACES, BALCONIES, ETC.

**POMPE DE NÉBULISEUR POUR ÉCONOMIE D'ÉNERGIE**

IDÉAL POUR L'ÉVACUATION DE L'EAU SUR LES TERRASSES, LES BALCONS, ETC.

**ZERSTÄUBERPUMPE ZUR ENERGIEEINSPARUNG**

IDEAL FÜR DIE BESEITIGUNG VON WASSER AUF TERRASSEN, BALKONEN, USW.



**PLEASE NOTE!**

Without accessories: to guarantee correct functioning it is necessary to also purchase the accessories on page 128

[Datasheet](#)

CODE	DESCRIPTION	U.M.	Pieces per box
12170070	"RW MINI" ENERGY-SAVING ATOMISING PUMP	PCS	1



**NEBULISER PUMP KIT FOR ENERGY SAVING**

**TECHNICAL SPECIFICATIONS**

- **Code 12170070** Nebuliser pump for energy saving RW MINI for residential systems 1 pc.
- **Code 12170077** High pressure hose Ø 6 x 4 mm L = 5 m in polyamide 1 pc.
- **Code 12170086** Quick coupling fitting nozzle holder 90° 1 threaded hole 1/8 NPT for 4 x 6 mm hose 3 pcs.
- **Code 12170088** Quick coupling fitting 90° joint for 6 x 4 mm hose 1 pc.
- **Code 12170089** Quick coupling "T" joint for pipe 6 x 4 mm 2 pcs.
- **Code 12170091** Spray nozzle size 0.4 (1/8NTP thread) 3 pcs.

IDEAL FOR DISPOSING OF THE WATER ON TERRACES, BALCONIES, ETC.

**KIT POMPE DE NÉBULISEUR POUR ÉCONOMIE D'ÉNERGIE**

**CARACTÉRISTIQUES TECHNIQUES**

- **Code 12170070** Pompe de nébuliseur à économie d'énergie RW MINI pour systèmes résidentiels 1 pc
- **Code 12170077** Tuyau haute pression Ø 6 x 4 mm L = 5 m en polyamide 1 pc
- **Code 12170086** Raccord rapide porte buse 90° 1 trou taraudé 1/8 NPT pour tuyau 4 x 6 mm 3 pcs
- **Code 12170088** Raccord rapide à 90° de jonction pour tuyau 6 x 4 mm 1 pc
- **Code 12170089** Raccord rapide en « T » de jonction pour tuyau 6 x 4 mm 2 pcs
- **Code 12170091** Buse de pulvérisation taille 0,4 (filetage 1/8NTP) 3 pcs

IDÉAL POUR L'ÉVACUATION DE L'EAU SUR LES TERRASSES, LES BALCONS, ETC.

**ENERGIESPARENDES SPRÜHPUMPENSATZ**

**TECHNISCHE EIGENSCHAFTEN**

- **Code 12170070** Energieeinsparende Verneblerpumpe RW MINI für Wohnanlagen Stk. 1
- **Code 12170077** Hochdruckrohr Ø 6 x 4 mm L = 5 m aus Polyamid Stk. 1
- **Code 12170086** Schnellkupplungsanschluss Düsenhalter 90° 1 Gewindebohrung 1/8 NPT für Rohr 4 x 6 mm Stk. 3
- **Code 12170088** Schnellkupplung 90°-Anschluss für Rohr 6 x 4 mm Stk. 1
- **Code 12170089** Schnellkupplung "T"-Anschluss für Rohr 6 x 4 mm Stk. 2
- **Code 12170091** Sprühdüsengröße 0,4 (1/8NTP-Gewinde) Stk. 3

IDEAL FÜR DIE BESEITIGUNG VON WASSER AUF TERRASSEN, BALKONEN, USW.



[Datasheet](#)

CODE	DESCRIPTION	U.M.	Pieces per box
12170071	RW MINI ATOMISING PUMP KIT	PCS	1





# ACCESSORIES



HIGH PRESSURE HOSE    TUYAU HAUTE PRESSION    HOCH-DRUCKROHR

CODE	DESCRIPTION	U.M.	Pieces per box
12170076	HIGH-PRESSURE TUBE	PCS	1
12170077	HIGH-PRESSURE TUBE	PCS	1

Datasheet



90° NOZZLE HOLDER FITTING    RACCORD PORTE-GRILLE À 90°    90°-DÜSENWAND-KONSOLESVERSCHRAUBUNG

CODE	DESCRIPTION	U.M.	Pieces per box
12170086	NOZZLE MOUNTING FITTING	PCS	1

Datasheet



COUPLING FITTING    RACCORD DE JONCTION    ANSCHLUSSVER-SCHRAUBUNG

CODE	DESCRIPTION	U.M.	Pieces per box
12170087	COUPLING FITTING	PCS	1

Datasheet



90° FITTING    RACCORD À 90°    90°-VERSCHRAU-BUNG

CODE	DESCRIPTION	U.M.	Pieces per box
12170088	90° FITTING	PCS	1

Datasheet



"T" FITTING    RACCORD EN « T »    "T"-VERSCHRAU-BUNG

CODE	DESCRIPTION	U.M.	Pieces per box
12170089	T-FITTING	PCS	1

Datasheet



END OF LINE CAP FOR FITTINGS    BOUCHON DE FIN DE LIGNE POUR RACCORDS    LEITUNGS-EN-DKAPPE DKAPPE FÜR VERSCHRAU-BUNG

CODE	DESCRIPTION	U.M.	Pieces per box
12170090	END-OF-LINE PLUG FOR FITTINGS	PCS	1

Datasheet



SPRAY NOZZLE    BUSE DE PULVÉRISATION    SPRÜHDÜSE

CODE	DESCRIPTION	U.M.	Pieces per box
12170091	ATOMISING NOZZLE	PCS	1

Datasheet



TELESCOPIC BAR FOR FIXING NOZZLES    BARRE TÉLESCOP-QUE POUR LA FIXA-TION DE BUSES    TELESKOPSTAN-GE ZUR BEFESTI-GUNG VON DÜSEN

CODE	DESCRIPTION	U.M.	Pieces per box
12170092	TELESCOPING BAR FOR FASTENING NOZZLES	PCS	1

Datasheet



## EXAMPLE OF INSTALLATION



Installation trunking



Laying pipes and pump



Trunking closing installation finished

### THE KIT INCLUDES

#### TECHNICAL SPECIFICATIONS

##### WITH EXCELLENCE TRUNKING

- Corner terminal TA72 exc. new line - 1 pc
- Flat elbow CP72 exc. new line - 1 pc
- Stretch of duct T72 exc. new line cm 70 - 1 pc
- Stretch of duct T72 exc. new line cm 15 - 1 pc
- Block pipe clamp T72 - 2 pcs
- Mini pump easy flow 11 lt - 1 pc
- Fastening kit for easy flow

##### WITH OPTIMA TRUNKING

- Corner terminal TA75 opt. - 1 pc
- Flat elbow CP75 opt. - 1 pc
- Stretch of duct T75 opt. cm 70 - 1 pc
- Stretch of duct T75 opt. cm 15 - 1 pc
- Block pipe clamp T72 - 2 pcs
- Mini pump easy flow 11 lt - 1 pc
- Fastening kit for easy flow

### LE KIT COMPREND

#### CARACTÉRISTIQUES TECHNIQUES

##### AVEC GOULOTTE EXCELLENCE

- Borne d'angle TA72 exc. new line - 1 pc
- Courbe plate CP72 exc. new line - 1 pc
- Épaisseur de goulotte T72 exc. new line cm 70 - 1 pc
- Épaisseur de goulotte T72 exc. new line cm 15 - 1 pc
- Colliers de serrage block pour goulotte T72 - 2 pcs
- Mini pompa easy flow 11 lt - 1 pc
- Kit de fixation pour mini pompe

##### AVEC GOULOTTE OPTIMA

- Borne d'angle TA75 OPT. - 1 pc
- Courbe plate CP75 OPT. - 1 pc
- Épaisseur de goulotte T75 OPT. cm 70 - 1 pc
- Épaisseur de goulotte T75 OPT. cm 15 - 1 pc
- Colliers de serrage block pour goulotte T72 - 2 pcs
- Mini pompe EASY FLOW 11 lt - 1 PC
- Kit de fixation pour mini pompe

### DER BAUSATZ BEINHÄLTET

#### TECHNISCHE EIGENSCHAFTEN

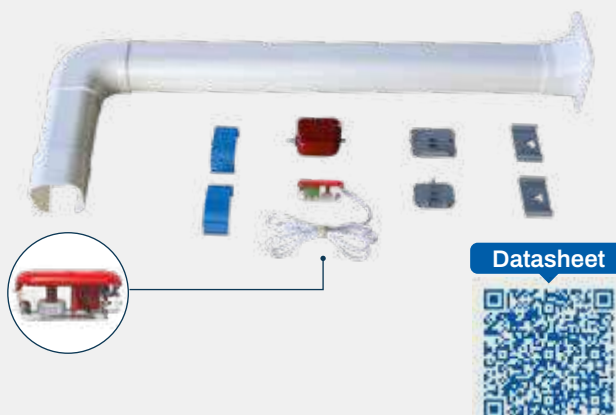
##### MIT EXCELLENZ-KANAL

- Winkelklemme TA72 exc. new line - 1 Stk.
- Flache Kurve CP72 EXC. new line - 1 Stk.
- Kanalstück T72 EXC. new line cm 70 - 1 Stk.
- Kanalstück T72 EXC. NEW LINE cm 15 - 1 Stk.
- Block-Rohrschellen für Kanal T72 - 2 Stk.
- Mini-Pumpe easy flow 11 lt 1 Stück
- Befestigungssatz für Minipumpe

##### MIT OPTIMA-KANAL

- Winkelklemme TA75 OPT. - 1 Stk.
- Flache Kurve CP75 OPT. - 1 Stk.
- Kanalstück T75 OPT. cm 70 - 1 Stk.
- Kanalstück T75 OPT. cm 15 - 1 Stk.
- Block-Rohrschellen für Kanal T72 - 2 Stk.
- Mini-Pumpe easy flow 11 lt pz. 1
- Befestigungssatz für Minipumpe

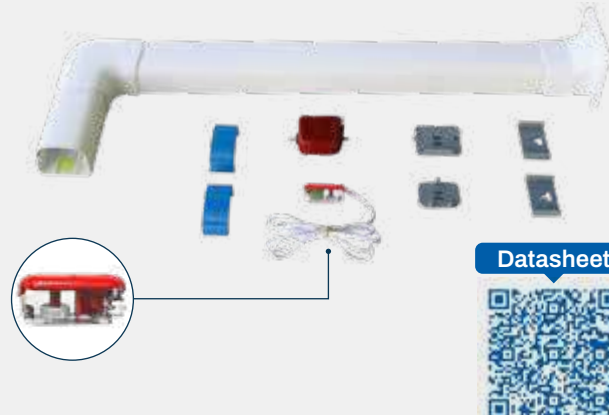
#### KIT WITH EXCELLENZ TRUNKING



Datasheet



#### KIT WITH OPTIMA TRUNKING



Datasheet



CODE	DESCRIPTION	U.M.	Pieces per box
12170042	"EASY FLOW" PUMP IN TRUNKING "EXCELLENZ"	KIT	1

CODE	DESCRIPTION	U.M.	Pieces per box
12170055	"EASY FLOW" PUMP KIN TRUNKING "OPTIMA"	KIT	1

**90° M/M RIGID ELBOW FITTING FOR EASY FLOW PUMPS CONDENSATE DRAIN PIPES**

**RACCORD COUDÉ RIGIDE 90° M/M POUR TUYAUX DE DRAINAGE DE CONDENSAT POMPES EASY FLOW**

**STARRE VERSCHRAUBUNG 90°-WINKEL M/M FÜR KONDENSATABLASSROHRE PUMPEN EASY FLOW**



**MADE IN ITALY**

CODE	DESCRIPTION	U.M.	Pieces per box
12170145	RIGID 90° ELBOW M/M FITTING FOR "EASY FLOW" PUMP 4X6 CONDENSATE DRAIN TUBE	PCS	10
12170146	RIGID 90° ELBOW M/M FITTING FOR "EASY FLOW" PUMP 6X9 CONDENSATE DRAIN TUBE	PCS	10

**Datasheet**



**90° M/M RIGID ELBOW FITTING FOR EASY FLOW PUMPS CONDENSATE DRAIN PIPES**

**RACCORD COUDÉ RIGIDE 90° M/M POUR TUYAUX DE DRAINAGE DE CONDENSAT POMPES EASY FLOW**

**STARRE VERSCHRAUBUNG 90°-WINKEL M/M FÜR KONDENSATABLASSROHRE PUMPEN EASY FLOW**



**MADE IN ITALY**

CODE	DESCRIPTION	U.M.	Pieces per box
12170147	RIGID STRAIGHT M/M FITTING FOR "EASY FLOW" PUMP 4X6 CONDENSATE DRAIN TUBE	PCS	10
12170148	RIGID STRAIGHT M/M FITTING FOR "EASY FLOW" PUMP 6X9 CONDENSATE DRAIN TUBE	PCS	10

**Datasheet**



**FLEXIBLE RUBBER "S" FITTING**

**RACCORD EN CAOUTCHOUC FLEXIBLE EN « S »**

**FLEXIBLE GUMMIVERSCHRAUBUNG "S"**

**TECHNICAL SPECIFICATIONS**

- For Ø 15-20 pipe
- Can be used in all condensate pumps
- Suitable for all conditioner drains

**CARACTÉRISTIQUES TECHNIQUES**

- Pour tuyau Ø 15-20
- Peut être utilisé dans toutes les pompes à condensat
- Convient à tous les drains de climatiseur

**TECHNISCHE EIGENSCHAFTEN**

- Für Ø 15-20 Rohr
- Kann in allen Kondensatpumpen verwendet werden
- Geeignet für alle Abflüsse von Klimaanlage



**MADE IN ITALY**

CODE	DESCRIPTION	U.M.	Pieces per box
12170149	OFFSET FLEXIBLE RUBBER FITTING	PCS	15

**Datasheet**



**90° FLEXIBLE ELBOW RUBBER FITTING**

**RACCORD EN CAOUTCHOUC FLEXIBLE COUDÉ À 90°**

**FLEXIBLE GUMMIVERSCHRAUBUNG 90°-WINKEL**

**TECHNICAL SPECIFICATIONS**

- For Ø 15-20 pipe
- Can be used in all condensate pumps
- Suitable for all conditioner drains

**CARACTÉRISTIQUES TECHNIQUES**

- Pour tuyau Ø 15-20
- Peut être utilisé dans toutes les pompes à condensat
- Convient à tous les drains de climatiseur

**TECHNISCHE EIGENSCHAFTEN**

- Für Ø 15-20 Rohr
- Kann in allen Kondensatpumpen verwendet werden
- Geeignet für alle Abflüsse von Klimaanlage



**MADE IN ITALY**

CODE	DESCRIPTION	U.M.	Pieces per box
12170150	FLEXIBLE 90° ELBOW RUBBER FITTING	PCS	5

**Datasheet**



**FLEXIBLE VIBRATION DAMPING RUBBER FOR WALL MOUNTING SMART FLOW PUMP**

**TECHNICAL SPECIFICATIONS**

- It allows the pump to be fixed to any wall, absorbing vibrations

**CAOUTCHOUC ANTI-VIBRATIONS FLEXIBLE POUR MONTAGE MURAL D'UNE POMPE SMART FLOW**

**CARACTÉRISTIQUES TECHNIQUES**

- Permet à la pompe d'être fixée à n'importe quel mur, en absorbant les vibrations

**FLEXIBLER ANTI-VIBRATIONSGUMMI FÜR DIE WANDMONTAGE EINER PUMPE SMART FLOW**

**TECHNISCHE EIGENSCHAFTEN**

- Es ermöglicht Ihnen, die der Pumpe an einer beliebigen Wand zu befestigen und Vibrationen zu absorbieren



**MADE IN ITALY**

CODE	DESCRIPTION	U.M.	Pieces per box
12170151	FLEXIBLE RUBBER ANTI-VIBRATION PAD FOR WALL MOUNTING SMART FLOW PUMP	PCS	5



**LAMPO**

**MADE IN ITALY**

**FASTENING KIT FOR EASY FLOW - AQUA SPLIT MINI PUMP IN DUCT T72 EXCELLENS SERIES**

**THE KIT CONSISTS OF**

- Two coupling springs at base of duct (detail b)
  - A pump coupling plate (detail a)
  - A float coupling plate (detail c)
- This kit is not usable for EASY FLOW mod pumps. 30 lt and 40 lt**

**KIT DE FIXATION POUR MINI POMPE EASY FLOW - AQUA SPLIT DANS GOULOTTE SÉRIE T72 EXCELLENS**

**LE KIT SE COMPOSE DE**

- Deux ressorts d'accouplement au fond du conduit (détail b)
  - Une plaque d'accouplement de pompe (détail a)
  - Une plaque de fixation du corps flottant (détail c)
- Ce kit n'est pas utilisable pour les pompes EASY FLOW mod. 30 lt et 40 lt**

**BEFESTIGUNGSKIT FÜR MINI EASY FLOW - AQUA SPLIT PUMPE IN KANAL SERIE T72 EXCELLENS**

**DER BAUSATZ BESTEHT AUS**

- Zwei Einhakfedern am Boden des Kanals (Detail b)
  - Eine Befestigungsplatte der Pumpe (Detail a)
  - Eine Befestigungsplatte des Schwimmkörpers (Detail c)
- Dieses Bausatz eignet sich nicht für Pumpen EASY-FLOW Mod. 30 lt und 40 lt**

**FAST**

**MADE IN ITALY**

**FASTENING KIT FOR EASY FLOW - AQUA SPLIT MINI PUMP IN DUCT T75 OPTIMA SERIES**

**THE KIT CONSISTS OF**

- A spring with coupling plate for pump lock
  - A spring with coupling plate for float
- This kit is not usable for EASY FLOW mod pumps. 30 lt and 40 lt**

**KIT DE FIXATION POUR MINI POMPE EASY FLOW - AQUA SPLIT DANS GOULOTTE SÉRIE T75 OPTIMA**

**LE KIT SE COMPOSE DE**

- Un ressort avec plaque d'accouplement pour bloc-pompe
  - Ressort avec plaque d'accrochage pour corps flottant
- Ce kit n'est pas utilisable pour les pompes EASY FLOW mod. 30 lt et 40 lt**

**BEFESTIGUNGSKIT FÜR EASY FLOW - AQUA SPLIT MINIPUMPE IN KANAL T75 OPTIMA SERIE**

**DER BAUSATZ BESTEHT AUS**

- Eine Feder mit Kupplungsplatte für Pumpenblock
  - Eine Feder mit Hakenplatte für Schwimmkörper
- Dieses Bausatz eignet sich nicht für Pumpen EASY-FLOW Mod. 30 lt und 40 lt**



CODE	DESCRIPTION	U.M.	Pieces per box
12170041	KIT FOR "EASY FLOW" MINI PUMP FASTENING IN EXCELLENS T72 SERIES TRUNKING "LAMPO"	KIT	1

CODE	DESCRIPTION	U.M.	Pieces per box
12170047	KIT FOR "EASY FLOW" MINI PUMP FASTENING IN OPTIMA T75 SERIES TRUNKING "FAST"	KIT	1



# KIT LAMPO GREEN



## FASTENING KIT FOR EASY ONE PUMP IN DUCT T72 EXCELLENS SERIES

### THE KIT CONSISTS OF

- A coupling spring at the bottom of the duct (detail a)
- A pump coupling plate (detail b)

## KIT DE FIXATION POUR POMPE EASY ONE DANS GOULOTTE SÉRIE T72 EXCELLENS

### LE KIT SE COMPOSE DE

- Un ressort de couplage au fond de la goulotte (détail a)
- Une plaque d'accouplement de pompe (détail b)

## BEFESTIGUNGSKIT FÜR EASY ONE PUMPE IN KANAL SERIE T72 EXCELLENS

### DER BAUSATZ BESTEHT AUS

- Eine Kupplungsfeder am Boden des Kanals (Detail a)
- Eine Befestigungsplatte der Pumpe (Detail b)

# KIT FAST GREEN



## FASTENING KIT FOR EASY ONE PUMP IN DUCT T75 OPTIMA SERIES

### THE KIT CONSISTS OF

- Spring with coupling plate for pump 1 piece

## KIT DE FIXATION POUR POMPE EASY ONE DANS GOULOTTE SÉRIE T75 OPTIMA

### LE KIT SE COMPOSE DE

- Ressort avec plaque d'accouplement pour pompe pièce 1

## BEFESTIGUNGSKIT FÜR EASY ONE-PUMPE IN KANAL SERIE T75 OPTIMA

### DER BAUSATZ BESTEHT AUS

- Feder mit Kupplungsplatte für Pumpenstück 1

### KIT LAMPO GREEN



PART.A: PZ.1

PART.B: PZ.1

Datasheet



### KIT FAST GREEN



Datasheet



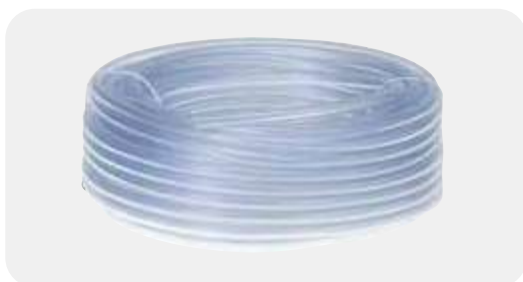
CODE	DESCRIPTION	U.M.	Pieces per box
12170155	MOUNTING KIT FOR "EASY ONE" PUMP IN T72 EXCELLENS SERIES TRUNKING "LAMPO GREEN"	KIT	1

CODE	DESCRIPTION	U.M.	Pieces per box
12170160	FIXING KIT FOR "EASY ONE" PUMP IN OPTIMA T75 SERIES TRUNKING "FAST GREEN"	KIT	1

## PUMP CONNECTION HOSE

## TUYAU DE RACCORDEMENT POMPES

## PUMPENANSCHLUSSROHR



CODE	DESCRIPTION	U.M.	Pieces per box
12170064	PUMP TUBING Ø 4X6 mm	PCS	1
12170029	PUMP TUBING Ø 4x6 mm.	PCS	1
12170014	PUMP TUBING D.6X9 mm	PCS	1
12170066	PUMP TUBING Ø 8X12 mm	PCS	1
12170018	PUMP TUBING Ø 8x12 mm	PCS	1

Datasheet



## MINI NON-RETURN VALVE

## MINI CLAPET ANTI-RETOUR

## MINI-RÜCKSCHLAGVENTIL



CODE	DESCRIPTION	U.M.	Pieces per box
12170020	MINI NONRETURN VALVE 4x6 mm	PCS	5

Datasheet





 FLOAT FOR PUMPS

 CORPS FLOTTANT POUR POMPES

 SCHWIMMKÖRPER FÜR PUMPEN



For fan coils with vertical coupling

Datasheet

CODE	DESCRIPTION	U.M.	Pieces per box
12170048	FLOAT HOUSING FOR PUMP MODELS "EF V"	PCS	1

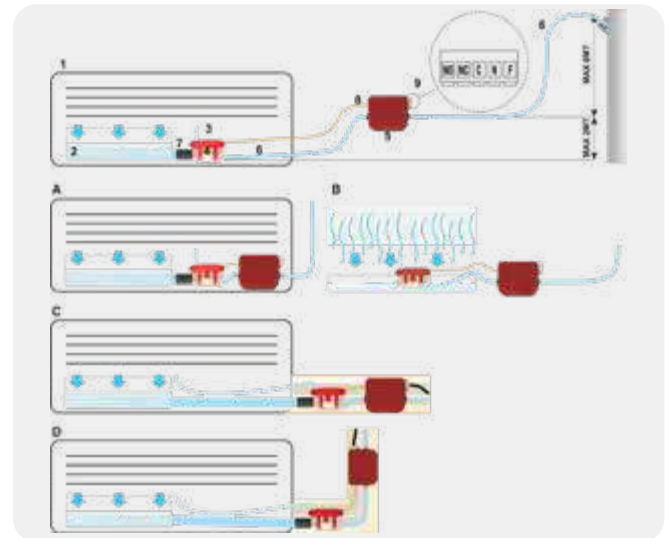


## EXAMPLE INSTALLATION OF CONDENSATE PUMP MODELS EF 7 / 11 / 15 / 20 / 30 / 40



### LEGEND:

1. Indoor unit
  2. Condensate drain pan
  3. Air outlet
  4. Floating case
  5. Pump
  6. Transparent pipe 4x6 mm
  7. Condensate drain pipe
  8. Electrical connection cable
  9. Power supply + alarm
- A. Installation of the floating case and pump in the indoor unit
- B. Installation of the floating case inside the condensate drain pan
- C. Installation of the floating case and of the pump inside the trunking T72
- D. Installation of floating case inside the trunking T72 and the pump vertically installed



**VERY IMPORTANT!** Keep the reservoir horizontal. Do not put the reservoir on metal surfaces.



When the electric circuit of the mini pump is powered, the alarm contact closes except when:

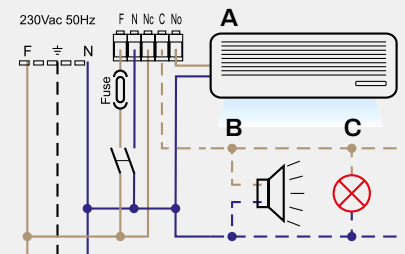
- A fault in the electric circuit of the pump
- Over-temperature of the thermal sensor that protects the solenoid valve
- Overfill level of the reservoir

### CONNECTION EXAMPLE

The 8A contact allows the connection with the indoor unit. If you want to use the alarm contact to get an acoustic or visual signal, follow the connection instruction on the diagram.

- A. Compressor of indoor unit
- B. Acoustic alarm
- C. Visual alarm

Note: Perform the electric connection following the instructions on the manual.



### INSTALLATION INSTRUCTIONS FOR A PROPER WORKING

Follow carefully the instructions to install the mini pumps to grant the good performances of the pump and consequently of the whole system. Failure to observe these instructions can compromise the proper working.

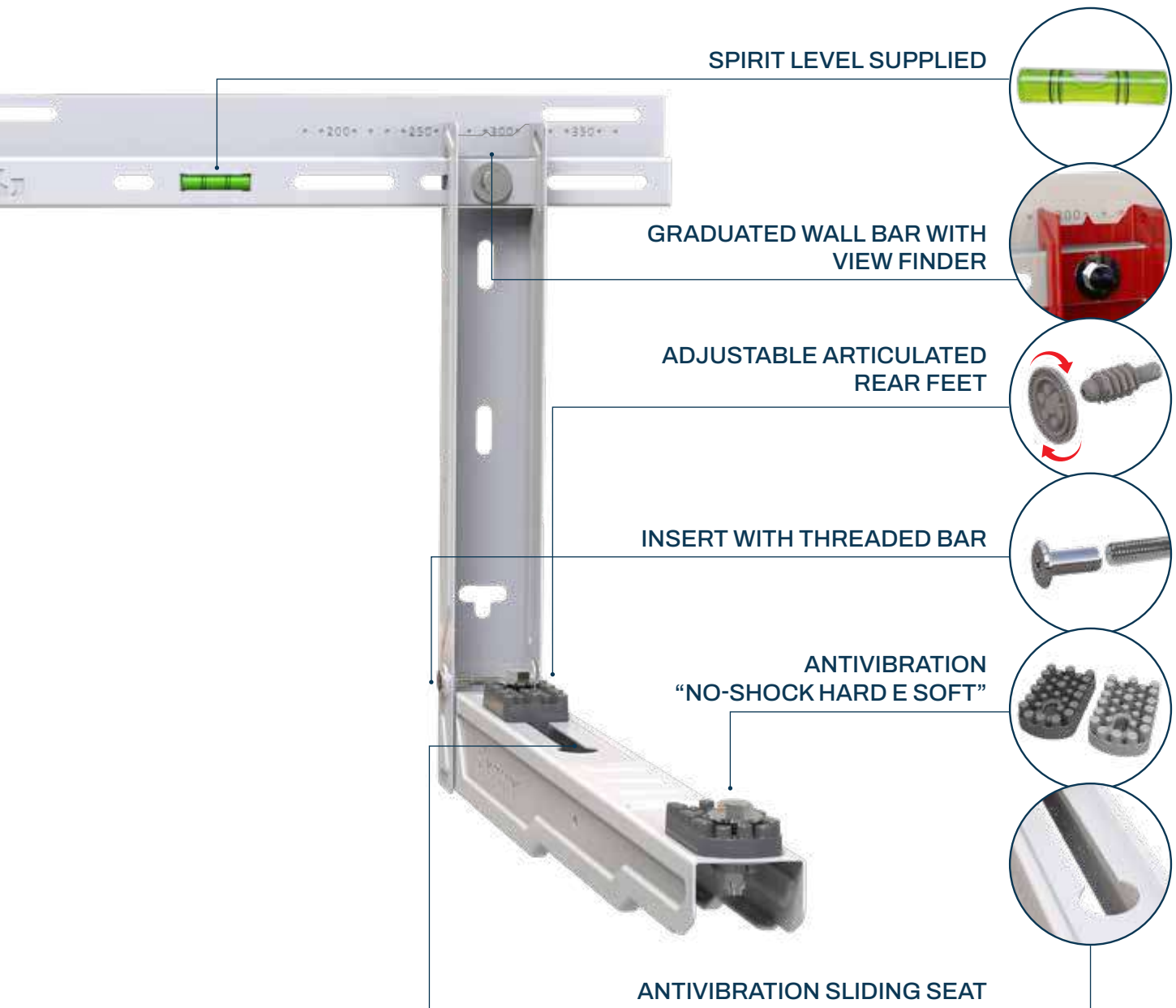
- Clean accurately, the unit and the condensation tank, rinse with water.
- Fasten the reservoir using the clip. Very important: keep it horizontal and never lay it on metal surfaces.
- Connect the alarm.
- Connect the vent pipe to the reservoir. Very important: the end of the vent pipe must be higher than the maximum level of the condensate tank of the a/c.
- Use always the transparent pipe to connect the pump (4 x 6 mm or 6 x 9,5 according to the model) as indicated on the catalogue.

# BRACKETS AND WALL BRACKETS



# WALL BRACKETS

CONCEIVED AND DESIGNED BY TECNOSYSTEMI



Smart Clima



**OUR BRACKETS  
ARE PRE-ASSEMBLED  
AND COMPLETE  
WITH ANTI-VIBRATION  
AND SCREWS**



## CONFIGURE BRACKETS AND SUPPORTS FOR EXTERNAL UNITS



 On the website [tecnosystemi.com](https://tecnosystemi.com)

Automatically generate **quotes** and **technical data sheet** for the chosen products



## CONFIGURE BRACKETS AND SUPPORTS FOR HEAT PUMPS



 On the website [tecnosystemi.com](https://tecnosystemi.com)

Automatically generate **quotes** and **technical data sheet** for the chosen products







## TÜV CERTIFICATION FOR OUTDOOR UNIT BRACKETS: GUARANTEE OF SAFETY AND QUALITY.

Choosing TÜV-certified brackets from Tecnosystemi means prioritizing **quality**, **safety**, and long-term **reliability**.



High Durability



Guarantee



Control and Quality



Certificate





## WALL BRACKET WITH NOTCHED BAR

### TECHNICAL SPECIFICATIONS

- Made of electro-galvanised metal sheet
- Includes spirit level
- External polyester painting RAL 9002
- Wall-mounted notched bar
- Ready for condensate drain pan
- Fixing plugs
- Adjustable rear swivel feet

## SUPPORT AVEC BARRE CRANTÉE

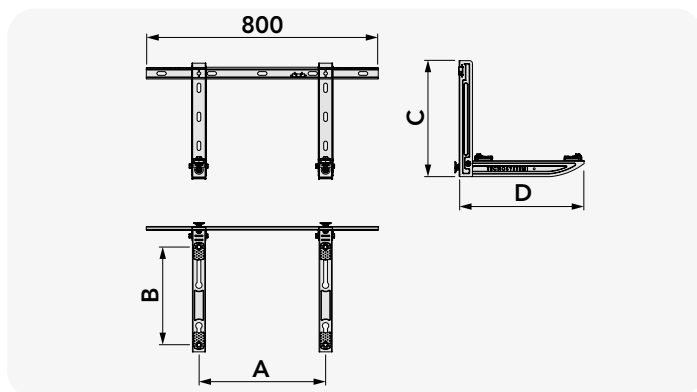
### CARACTÉRISTIQUES TECHNIQUES

- En tôle électro-galvanisée
- Livré avec une bulle
- Peinture polyester d'extérieur RAL 9002
- Barre murale dentée
- Prêdisposé pour le Bac de collecte des condensats
- Chevilles de fixation
- Pieds arrière articulés réglables

## WANDKONSOLE MIT GEZAHNTER STANGE

### TECHNISCHE EIGENSCHAFTEN

- Aus elektro-galvanisiertem Blech
- Libelle mitgeliefert
- Polyesterbeschichtung für den Außenbereich RAL 9002
- Gezahnte Wandstange
- Vorbereitet für Kondensatsammelbecken
- Befestigungsdübel
- Verstellbare, Gelenkhinterfüße



### GALILEO EVO with no-shock vibration dampers

CODE	DESCRIPTION	DIMENSIONS [mm]				LOAD CAPACITY [kg]	U.M.	Pieces per box	U.M. Box	U.M. Pallet
		A	B	C	D					
SCD500385	WALL BRACKET "GALILEO SGL 100 EVO"	440 - 745	180 - 340	400	430	100	PCS	1	1	168
SCD500391	WALL BRACKET "GALILEO SGL" 140 EVO	440 - 745	180 - 385	400	475	140	PCS	1	1	168
SCD500396	WALL BRACKET GALILEO SGL100 XXL EVO PLUS	440 - 745	240 - 465	400	625	75	PCS	1	1	168

### GALILEO ECO bracket with sliding dampers

CODE	DESCRIPTION	DIMENSIONS [mm]				LOAD CAPACITY [kg]	U.M.	Pieces per box	U.M. Box	U.M. Pallet
		A	B	C	D					
SCD500386	WALL BRACKET "GALILEO ECO SGL IVORY 100"	440 - 745	180 - 340	400	430	100	PCS	1	1	168
SCD500392	WALL BRACKET "GALILEO ECO SGL IVORY 140"	440 - 745	180 - 385	400	475	140	PCS	1	1	168
SCD500397	WALL BRACKET "GALILEO ECO XXL SGL IVORY 75"	440 - 745	240 - 465	400	625	75	PCS	1	1	168

### GALILEO START bracket without dampers

CODE	DESCRIPTION	DIMENSIONS [mm]				LOAD CAPACITY [kg]	U.M.	Pieces per box	U.M. Box	U.M. Pallet
		A	B	C	D					
SCD500387	WALL BRACKET "GALILEO SGL START 100" WITHOUT ANTIVIBRATION KIT	440 - 745	180 - 340	400	430	100	PCS	1	1	168
SCD500393	WALL BRACKET "GALILEO SGL START 140" WITHOUT ANTIVIBRATION KIT	440 - 745	180 - 385	400	475	140	PCS	1	1	168

# KEPLERO SPK



MADE IN ITALY

## WALL BRACKET WITH GRADUATED BAR

### TECHNICAL SPECIFICATIONS

- Made of electro-galvanised metal sheet
- Wall bracket with spirit level supplied
- External polyester painting RAL 9002
- Ready for condensate drain pan
- "NO-SHOCK" sliding vibration dampers supplied
- Fixing plugs
- Adjustable rear swivel feet

## SUPPORT AVEC BARRE GRADUÉE

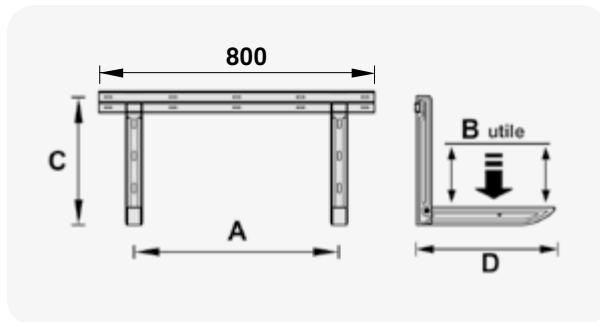
### CARACTÉRISTIQUES TECHNIQUES

- En tôle électro-galvanisée
- Support de bulle fourni
- Peinture polyester d'extérieur RAL 9002
- Prédéposé pour le Bac de collecte des condensats
- Plots anti-vibrations coulissants « NO-SHOCK » fournis
- Chevilles de fixation
- Pieds arrière articulés réglables

## WANDKONSOLE MIT ABGESTUFTEM STAB

### TECHNISCHE EIGENSCHAFTEN

- Aus elektro-galvanisiertem Blech
- Wandkonsole mit Libelle im Lieferumfang enthalten
- Polyesterbeschichtung für den Außenbereich RAL 9002
- Vorbereitet für Kondensatsammelbecken
- "NO-SHOCK" gleitende Schwingungsdämpfer im Lieferumfang enthalten
- Befestigungsdübel
- Verstellbare, Gelenkhinterfüße



Datasheet

CODE	DESCRIPTION	DIMENSIONS [mm]				LOAD CAPACITY [kg]	U.M.	Pieces per box	U.M. Box	U.M. Pallet
		A	B	C	D					
SCD500364	BRACKET "KEPLERO SKP 100 XXL" L. = 625 mm.	350 - 750	240 - 465	400	625	75	PCS	1	1	110

# MINI CHILLER TSSC



MADE IN ITALY

## MINI-CHILLER WALL BRACKET

### TECHNICAL SPECIFICATIONS

- Made of electro-galvanised metal sheet
- External polyester painting RAL 9002
- Ready for condensate drain pan
- "NO-SHOCK" sliding vibration dampers supplied
- Supplied screws
- Fixing plugs supplied (only for code 11000900)

## SUPPORT MINI-CHILLER TSSC

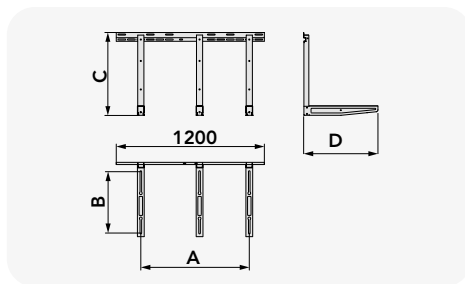
### CARACTÉRISTIQUES TECHNIQUES

- En tôle électro-galvanisée
- Peinture polyester d'extérieur RAL 9002
- Prédéposé pour le Bac de collecte des condensats
- Plots anti-vibrations coulissants « NO-SHOCK » fournis
- Vis fournies
- Chevilles de fixation fournis (uniquement pour le code 11000900)

## MINI-CHILLER WANDKONSOLE

### TECHNISCHE EIGENSCHAFTEN

- Aus elektro-galvanisiertem Blech
- Polyesterbeschichtung für den Außenbereich RAL 9002
- Vorbereitet für Kondensatsammelbecken
- "NO-SHOCK" gleitende Schwingungsdämpfer im Lieferumfang enthalten
- Mitgelieferte Schrauben
- Mitgelieferte Befestigungsdübel (nur für Cod. 11000900)



Datasheet

CODE	DESCRIPTION	DIMENSIONS [mm]				LOAD CAPACITY [kg]	U.M.	Pieces per box	U.M. Box
		A	B	C	D				
SCD500149	MINI CHILLER "TSSC" - 160 WALL BRACKET	1150	290 - 550	680	680	160	PCS	1	1
SCD500444	WALL-BRACKET "MINI-CHILLER TSSC" IVORY L.600 - 210kg	1150	240 - 500	670	600	210	PCS	1	1
11000910	WALL BRACKET "TSSC-250" MINI CHILLER	1150	190 - 490	680	600	250	PCS	1	1
11000930	WALL BRACKET "TSSC-300" MINI CHILLER	1150	300 - 550	680	680	300	PCS	1	1





## WALL BRACKET WITH GRADUATED BAR

### TECHNICAL SPECIFICATIONS

- Made of electro-galvanised metal sheet
- External polyester painting RAL 9002
- Graduated wall bracket with spirit level included
- Adjustable rear swivel feet
- Ready for condensate drain pan
- "NO-SHOCK" vibration dampers supplied
- Wall mounting fixing plugs
- Pre-assembled wall bracket

## SUPPORT AVEC BARRE GRADUÉE

### CARACTÉRISTIQUES TECHNIQUES

- En tôle électro-galvanisée
- Peinture polyester d'extérieur RAL 9002
- Support gradué avec bulle incluse
- Pieds arrière articulés réglables
- Prêdisposé pour le Bac de collecte des condensats
- Plots anti-vibrations « NO-SHOCK » fournis
- Chevilles de fixation murale
- Support pré-assemblé

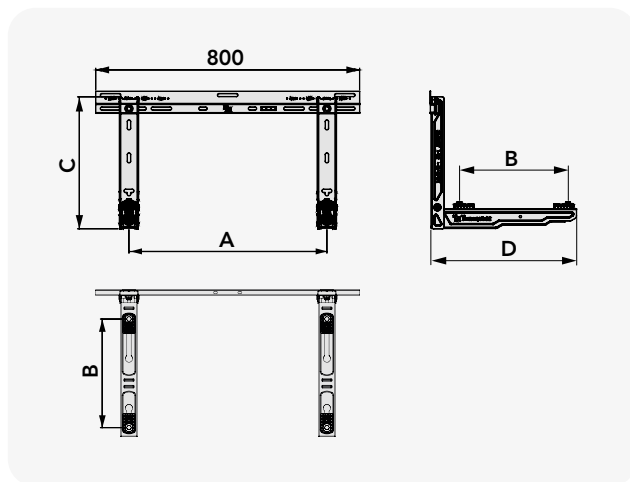
## WANDKONSOLE MIT ABGESTUFTEM STAB

### TECHNISCHE EIGENSCHAFTEN

- Aus elektro-galvanisiertem Blech
- Polyesterbeschichtung für den Außenbereich RAL 9002
- Graduierte Wandkonsole mit Libelle mitgeliefert
- Verstellbare, Gelenkhinterfüße
- Vorbereitet für Kondensatsammelbecken
- Vibrationsdämpfer „NO-SHOCK“ im Lieferumfang enthalten
- Wandbefestigungsdübel
- Vormontierte Wandkonsole

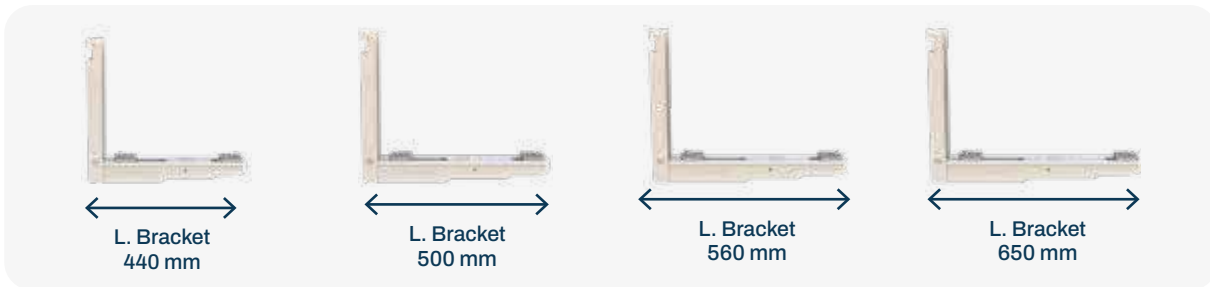


On request in GREY version



PRE-ASSEMBLED

GRADUATED WALL BRACKET



CODE	DESCRIPTION	DIMENSIONS [mm]				LOAD CAPACITY [kg]	U.M.	Pieces per box	U.M. Box	U.M. Pallet
		A	B	C	D					
SCD500367	WALL-BRACKET "LEONARDO" IVORY L.440 - 110kg	350 - 750	180 - 330	400	440	110	PCS	1	1	168
SCD500369	WALL-BRACKET "LEONARDO" IVORY L.500 - 110kg	350 - 750	230 - 390	400	500	110	PCS	1	1	168
SCD500371	WALL-BRACKET "LEONARDO" IVORY L.560 - 110kg	350 - 750	270 - 450	400	560	110	PCS	1	1	168
SCD500373	WALL-BRACKET "LEONARDO" IVORY L.650 - 100kg	350/750	340/540	400	650	100	PCS	1	1	168
SCD500341	ANTI-VIBRATION KIT FOR WALL BAR, FOR GIOTTO/LEONARDO/MICHELANGELO WALL BRACKET						KIT	1	1	-

# MICHELANGELO SM



## WALL BRACKET WITH GRADUATED BAR

### TECHNICAL SPECIFICATIONS

- Electrogalvanised sheet
- External polyester painting
- Graduated wall bracket with spirit level included
- Adjustable rear swivel feet
- Ready for condensate drain pan
- "NO-SHOCK" vibration dampers supplied
- Wall mounting fixing plugs
- Pre-assembled bracket

## SUPPORT AVEC BARRE GRADUÉE

### CARACTÉRISTIQUES TECHNIQUES

- Tôle galvanisée
- Peinture polyester d'extérieur
- Support gradué avec bulle incluse
- Pieds arrière articulés réglables
- Prêdisposé pour le Bac de collecte des condensats
- Plots anti-vibrations « NO-SHOCK » fournis
- Chevilles de fixation murale
- Étagère pré-assemblée

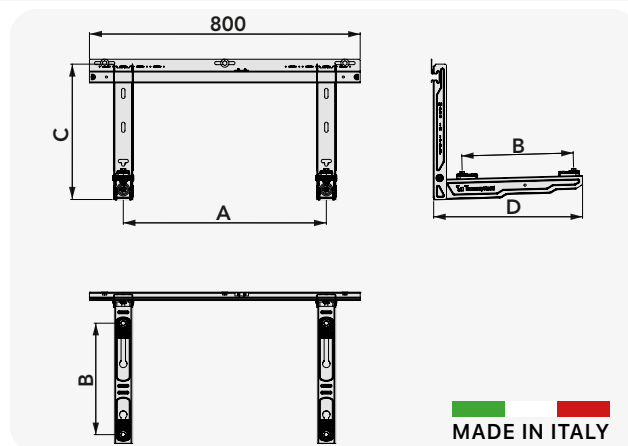
## WANDKONSOLE MIT ABGESTUFTEM STAB

### TECHNISCHE EIGENSCHAFTEN

- Galvanisch verzinktes Blech
- Polyesterbeschichtung für den Außenbereich
- Graduierte Wandkonsole mit Libelle mitgeliefert
- Verstellbare, Gelenkhinterfüße
- Vorbereitet für Kondensatsammelbecken
- Vibrationsdämpfer „NO-SHOCK“ im Lieferumfang enthalten
- Wandbefestigungsdübel
- Vormontierte Konsole



On request in GREY version



MADE IN ITALY



PRE-ASSEMBLED



GRADUATED WALL BRACKET



Sliding side hook



Virtual reality



Datasheet Ivory



Datasheet Grey



CODE	DESCRIPTION	DIMENSIONS [mm]				LOAD CAPACITY [kg]	U.M.	Pieces per box	U.M. Box	U.M. Pallet
		A	B	C	D					
SCD500414	WALL-BRACKET "MICHELANGELO" SM IVORY WITH SLIDING BAR L.440 - 100kg	350/750	180/330	400	440	110	PCS	1	1	168
SCD500415	WALL-BRACKET "MICHELANGELO" SM IVORY WITH SLIDING BAR L.500 - 110kg	350/750	230/390	400	500	110	PCS	1	1	168
SCD500416	WALL-BRACKET "MICHELANGELO" SM IVORY WITH SLIDING BAR L.560 - 110kg	350/750	270/450	400	560	110	PCS	1	1	168
SCD500417	WALL-BRACKET "MICHELANGELO" SM IVORY WITH SLIDING BAR L.650 - 100kg	350/750	340/540	400	650	100	PCS	1	1	168
SCD500418	WALL-BRACKET "MICHELANGELO" SM GREY WITH SLIDING BAR L.440 - 110kg	350/750	180/330	400	440	110	PCS	1	1	168
SCD500419	WALL-BRACKET "MICHELANGELO" SM GREY WITH SLIDING BAR L.500 - 110kg	350/750	230/390	400	500	110	PCS	1	1	168
SCD500420	WALL-BRACKET "MICHELANGELO" SM GREY WITH SLIDING BAR L.560 - 110kg	350/750	270/450	400	560	110	PCS	1	1	168
SCD500421	WALL-BRACKET "MICHELANGELO" SM GREY WITH SLIDING BAR L.650 - 100kg	350/750	340/540	400	650	100	PCS	1	1	168
SCD500341	ANTI-VIBRATION KIT FOR WALL BAR, FOR GIOTTO/LEONARDO/MICHELANGELO WALL BRACKET						KIT	1	1	-



## WALL BRACKET WITH GRADUATED AND SLIDING BAR

### TECHNICAL SPECIFICATIONS

- Electrogalvanised sheet
- External polyester painting
- Graduated wall bracket with spirit level included
- Adjustable rear swivel feet
- Ready for condensate drain pan
- "NO-SHOCK" vibration dampers supplied
- Wall mounting fixing plugs
- Pre-assembled bracket

## SUPPORT AVEC BARRE GRADUÉE ET COULISSANTE

### CARACTÉRISTIQUES TECHNIQUES

- Tôle galvanisée
- Peinture polyester d'extérieur
- Support gradué avec bulle incluse
- Pieds arrière articulés réglables
- Prêdisposé pour le Bac de collecte des condensats
- Plots anti-vibrations « NO-SHOCK » fournis
- Chevilles de fixation murale
- Étagère pré-assemblée

## WANDKONSOLE MIT MESSSTAB UND SCHIEBEBÜGEL

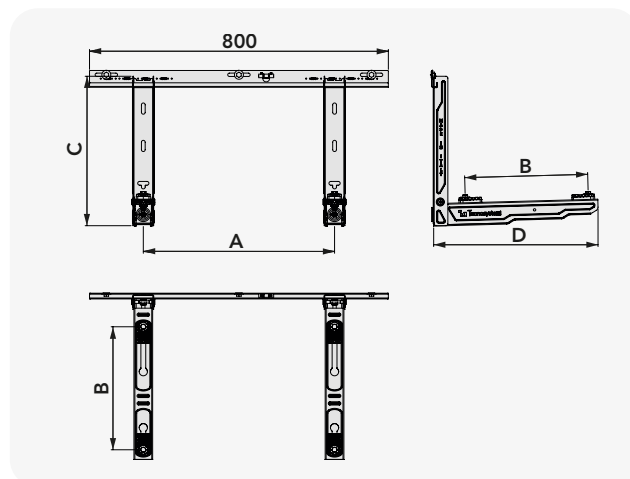
### TECHNISCHE EIGENSCHAFTEN

- Galvanisch verzinktes Blech
- Polyesterbeschichtung für den Außenbereich
- Graduierte Wandkonsole mit Libelle mitgeliefert
- Verstellbare, Gelenkhinterfüße
- Vorbereitet für Kondensatsammelbecken
- Vibrationsdämpfer „NO-SHOCK“ im Lieferumfang enthalten
- Wandbefestigungsdübel
- Vormontierte Konsole

 **MADE IN ITALY**



On request in GREY version



 **PRE-ASSEMBLED**

 **GRADUATED WALL BRACKET**



Sliding side hook



**Datasheet**



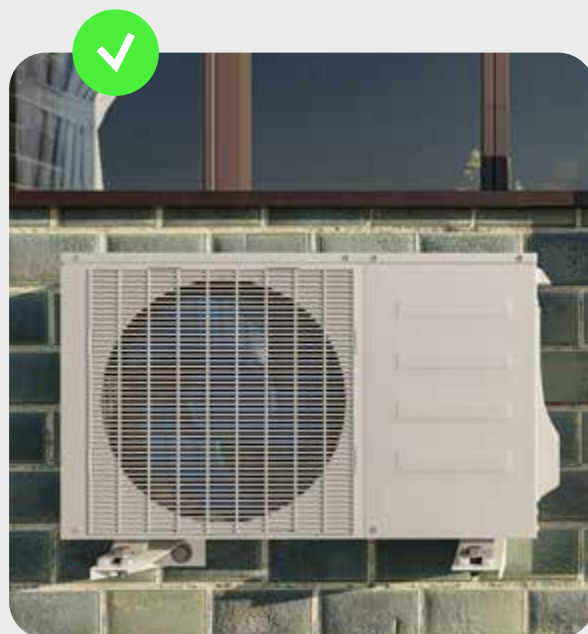
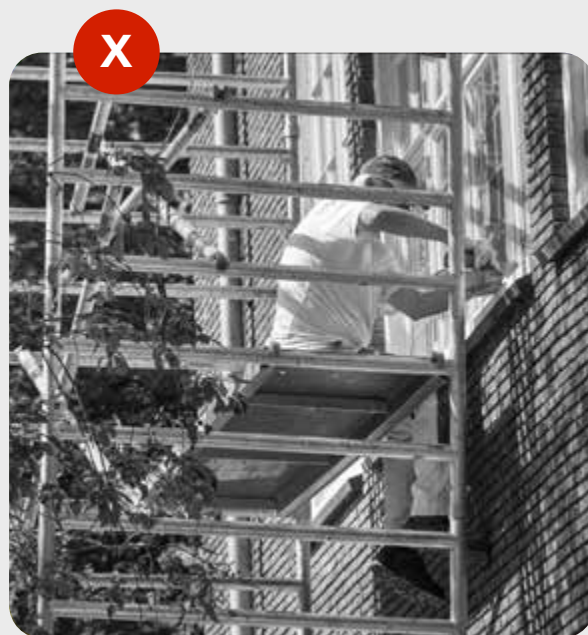
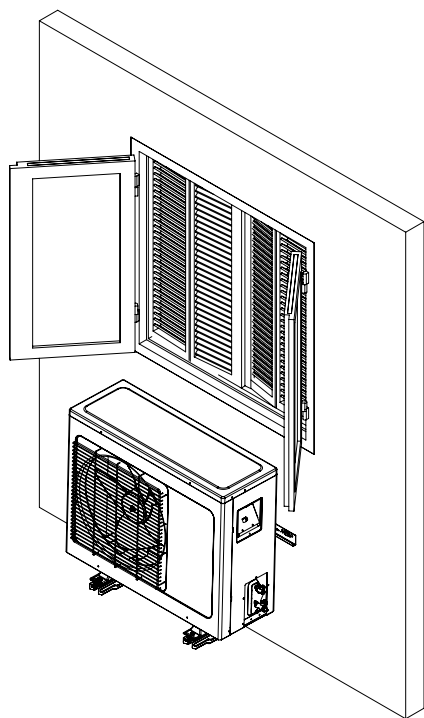
CODE	DESCRIPTION	DIMENSIONS [mm]				LOAD CAPACITY [kg]	U.M.	Pieces per box	U.M. Box	U.M. Pallet
		A	B	C	D					
SCD500406	WALL-BRACKET "RAFFAELLO" SR IVORY L.440 - 110kg	350/750	180/330	400	440	110	PCS	1	1	168
SCD500407	WALL-BRACKET "RAFFAELLO" SR IVORY L.500 - 110kg	350/750	230/390	400	500	110	PCS	1	1	168
SCD500408	WALL-BRACKET "RAFFAELLO" SR IVORY L.560 - 110kg	350/750	270/450	400	560	110	PCS	1	1	168
SCD500409	WALL-BRACKET "RAFFAELLO" SR IVORY L.650 - 100kg	350/750	340/540	400	650	100	PCS	1	1	168



# BRACKETS

## TECNOSYSTEMI OFFERS A COMPLETE RANGE OF BRACKETS DEDICATED TO WINDOW INSTALLATION

The coupling system allows rapid installation in condominiums or in the presence of high heights, avoiding the assembly and cost of scaffolding.





## WALL BRACKET WITH GRADUATED AND SLIDING BAR

### TECHNICAL SPECIFICATIONS

- Made of electro-galvanised metal sheet
- External polyester painting RAL 9002
- Graduated wall bracket with spirit level included
- Adjustable rear swivel feet
- Ready for condensate drain pan
- "NO-SHOCK" vibration dampers supplied
- Wall mounting fixing plugs
- Pre-assembled wall bracket

## SUPPORT D'ACCROCHAGE AVEC BARRE GRADUÉE ET COULISSANTE

### CARACTÉRISTIQUES TECHNIQUES

- En tôle électro-galvanisée
- Peinture polyester d'extérieur RAL 9002
- Support gradué avec bulle incluse
- Pieds arrière articulés réglables
- Prédisposé pour le Bac de collecte des condensats
- Plots anti-vibrations « NO-SHOCK » fournis
- Chevilles de fixation murale
- Support pré-assemblé

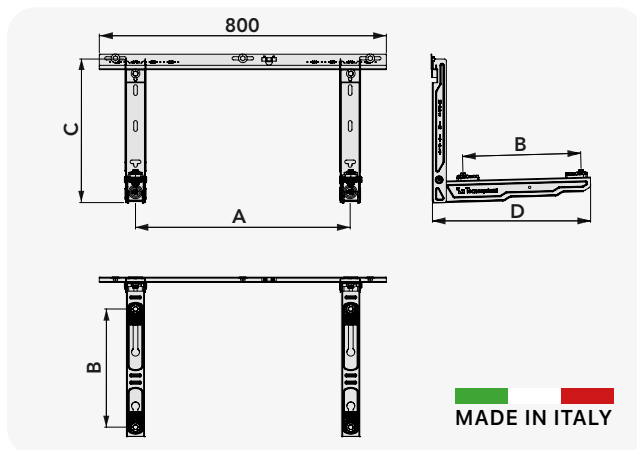
## EINHÄNGEBÜGEL MIT MESSSTAB UND SCHIEBEBÜGEL

### TECHNISCHE EIGENSCHAFTEN

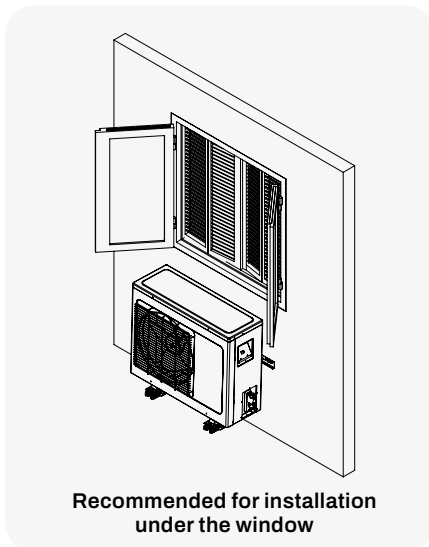
- Aus elektro-galvanisiertem Blech
- Polyesterbeschichtung für den Außenbereich RAL 9002
- Graduierte Wandkonsole mit Libelle mitgeliefert
- Verstellbare, Gelenkhinterfüße
- Vorbereitet für Kondensatsammelbecken
- Vibrationsdämpfer „NO-SHOCK“ im Lieferumfang enthalten
- Wandbefestigungsdübel
- Vormontierte Wandkonsole



On request in GREY version



MADE IN ITALY



Recommended for installation under the window

PRE-ASSEMBLED

GRADUATED WALL BRACKET

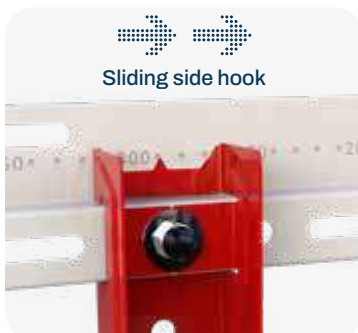
Virtual Reality



Datasheet Ivory



Datasheet Grey



Sliding side hook



CODE	DESCRIPTION	DIMENSIONS [mm]				LOAD CAPACITY [kg]	U.M.	Pieces per box	U.M. Box
		A	B	C	D				
SCD500398	WALL-BRACKET "DONATELLO" SD VORY L.440 - 110kg	350/750	180/330	400	440	110	pcs	1	1
SCD500400	WALL-BRACKET "DONATELLO" SD VORY L.500 - 110kg	350/750	230/390	400	500	110	pcs	1	1
SCD500402	WALL-BRACKET "DONATELLO" IVORY L.560 - 110kg	350/750	270/450	400	560	110	pcs	1	1
SCD500404	WALL-BRACKET "DONATELLO" SD VORY L.650 - 100kg	350/750	340/540	400	650	100	pcs	1	1
SCD500399	WALL-BRACKET "DONATELLO" SD GREY L.440 - 110kg	350/750	180/330	400	440	110	pcs	1	1
SCD500401	WALL-BRACKET "DONATELLO" GREY L.500 - 130kg	350/750	230/390	400	500	130	pcs	1	1
SCD500403	WALL-BRACKET "DONATELLO" SD GREY L.560 - 110kg	350/750	270/450	400	560	110	pcs	1	1
SCD500405	WALL-BRACKET "DONATELLO" SD GREY L.650 - 100kg	350/750	340/540	400	650	100	pcs	1	1



## WALL BRACKET WITH GRADUATED BAR

### TECHNICAL SPECIFICATIONS

- Made of electro-galvanised metal sheet
- Pre-assembled wall bracket
- Includes spirit level
- Adjustable rear swivel feet
- External polyester painting RAL 9002
- Ready for condensate drain pan
- "NO-SHOCK" sliding vibration dampers supplied
- Fixing plugs

## SUPPORT AVEC BARRE GRADUÉE

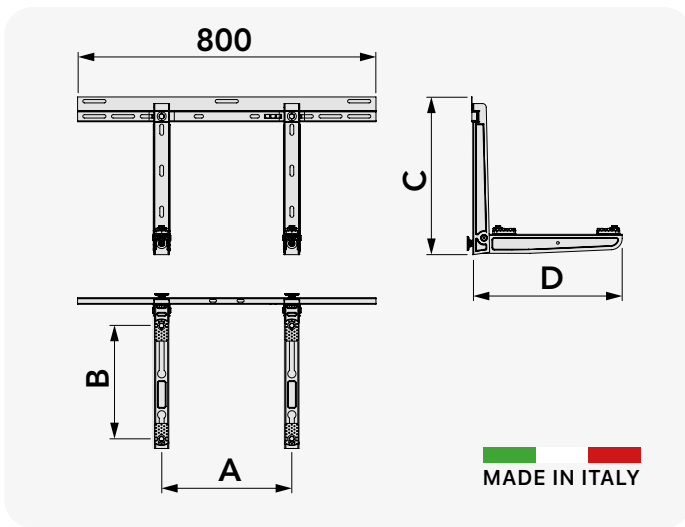
### CARACTÉRISTIQUES TECHNIQUES

- En tôle électro-galvanisée
- Support pré-assemblé
- Livré avec une bulle
- Pieds arrière articulés réglables
- Peinture polyester d'extérieur RAL 9002
- Prédisposé pour le Bac de collecte des condensats
- Plots anti-vibrations coulissants « NO-SHOCK » fournis
- Chevilles de fixation

## WANDKONSOLE MIT ABGESTUFTEM STAB

### TECHNISCHE EIGENSCHAFTEN

- Aus elektro-galvanisiertem Blech
- Vormontierte Wandkonsole
- Libelle mitgeliefert
- Verstellbare, Gelenkhinterfüße
- Polyesterbeschichtung für den Außenbereich RAL 9002
- Vorbereitet für Kondensatsammelbecken
- "NO-SHOCK" gleitende Schwingungsdämpfer im Lieferumfang enthalten
- Befestigungsdübel



**PRE-ASSEMBLED**

**GRADUATED WALL BRACKET**



CODE	DESCRIPTION	DIMENSIONS [mm]				LOAD CAPACITY [kg]	U.M.	Pieces per box	U.M. Box	U.M. Pallet
		A	B	C	D					
SCD500357	WALL-BRACKET "GIOTTO EVO SG IVORY" L.400 - 120kg	350 - 750	150 - 310	420	400	120	PCS	1	1	168
SCD500358	WALL-BRACKET "GIOTTO EVO SG IVORY" WITH S/S FASTENER L.400 - 120kg	350 - 750	150 - 310	420	400	120	PCS	1	1	168
SCD500361	WALL-BRACKET "GIOTTO EVO SG IVORY" L.465 - 160kg	350 - 750	180 - 380	420	465	160	PCS	1	1	168
SCD500362	WALL-BRACKET "GIOTTO EVO SG IVORY" WITH S/S FASTENER L.465 - 160kg	350 - 750	180 - 380	420	465	160	PCS	1	1	168
SCD500431	WALL-BRACKET "GIOTTO EVO SG GREY" L.400 - 120kg	350 - 750	150 - 310	420	400	120	PCS	1	1	168
SCD500432	WALL-BRACKET "GIOTTO EVO SG GREY" WITH S/S FASTENER L.400 - 120kg	350 - 750	150 - 310	420	400	120	PCS	1	1	168
SCD500434	WALL-BRACKET "GIOTTO EVO SG GREY" WITH S/S FASTENER L.465 - 160kg	350 - 750	180 - 380	420	465	160	PCS	1	1	168
SCD500363	WALL-BRACKET "GIOTTO EVO SG GREY" L.465 - 160kg	350 - 750	180 - 380	420	465	160	PCS	1	1	168
SCD500341	ANTI-VIBRATION KIT FOR WALL BAR, FOR GIOTTO/LEONARDO/MICHELANGELO WALL BRACKET						KIT	1	1	-

# CLASSIC - TSMC



## WALL BRACKET

### TECHNICAL SPECIFICATIONS

- Made of electro-galvanised metal sheet
- External polyester painting RAL 9002
- Ready for condensate drain pan
- "NO-SHOCK" sliding vibration dampers supplied
- Fixing plugs
- Hex key and spirit level supplied
- Adjustable rear swivel feet

## SUPPORT

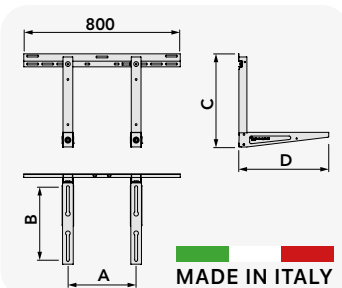
### CARACTÉRISTIQUES TECHNIQUES

- En tôle électro-galvanisée
- Peinture polyester d'extérieur RAL 9002
- Prédéposé pour le Bac de collecte des condensats
- Plots anti-vibrations coulissants « NO-SHOCK » fournis
- Chevilles de fixation
- Clé hexagonale et bulle fournies
- Pieds arrière articulés réglables

## WANDKONSOLE

### TECHNISCHE EIGENSCHAFTEN

- Aus elektro-galvanisiertem Blech
- Polyesterbeschichtung für den Außenbereich RAL 9002
- Vorbereitet für Kondensatsammelbecken
- "NO-SHOCK" gleitende Schwingungsdämpfer im Lieferumfang enthalten
- Befestigungsdübel
- Sechskantschlüssel und Libelle im Lieferumfang enthalten
- Verstellbare, Gelenkhinterfüße



## GRADUATED WALL BRACKET



CODE	DESCRIPTION	DIMENSIONS [mm]				LOAD CAPACITY [kg]	U.M.	Pieces per box	U.M. Box	U.M. Pallet
		A	B	C	D					
SCD500376	WALL-BRACKET "CLASSIC EVO TSMC IVORY" L.460 - 160kg	350 - 750	140 - 370	480	460	160	PCS	1	1	110
SCD500377	WALL-BRACKET "CLASSIC EVO TSMC IVORY" L.510 - 180kg	350 - 750	240 - 420	480	510	180	PCS	1	1	110
SCD500378	WALL-BRACKET "CLASSIC IVORY" WITH S/S SCREWS TSMC L.510 - 180kg	350 - 750	240 - 420	480	510	180	PCS	1	1	110
SCD500379	WALL-BRACKET "CLASSIC EVO TSMC IVORY" L.600 - 210kg	350 - 750	240 - 500	480	600	210	PCS	1	1	110
SCD500439	WALL-BRACKET "CLASSIC EVO TSMC IVORY" L.600 - 160kg	350-750	240-500	480	600	160	PCS	1	1	110

# STANDARD - TSM



## WALL BRACKET WITH TELESCOPIC BAR

### TECHNICAL SPECIFICATIONS

- Made of electro-galvanised metal sheet
- External polyester painting RAL 9002
- Ready for condensate drain pan
- "NO-SHOCK" sliding vibration dampers supplied
- Adjustable rear swivel feet
- Fixing plugs
- Telescopic bar

## SUPPORT AVEC BARRE TÉLESCOPIQUE

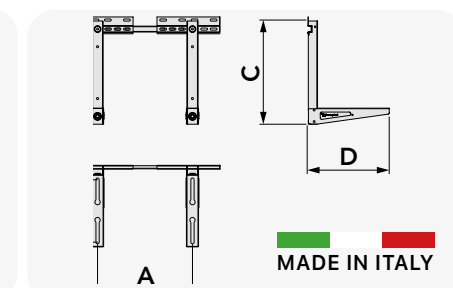
### CARACTÉRISTIQUES TECHNIQUES

- En tôle électro-galvanisée
- Peinture polyester d'extérieur RAL 9002
- Prédéposé pour le Bac de collecte des condensats
- Plots anti-vibrations coulissants « NO-SHOCK » fournis
- Pieds arrière articulés réglables
- Chevilles de fixation
- Barre télescopique

## WANDKONSOLE MIT TELESKOPSTANGE

### TECHNISCHE EIGENSCHAFTEN

- Aus elektro-galvanisiertem Blech
- Polyesterbeschichtung für den Außenbereich RAL 9002
- Vorbereitet für Kondensatsammelbecken
- "NO-SHOCK" gleitende Schwingungsdämpfer im Lieferumfang enthalten
- Verstellbare, Gelenkhinterfüße
- Befestigungsdübel
- Teleskopstange



CODE	DESCRIPTION	DIMENSIONS [mm]				LOAD CAPACITY [kg]	U.M.	Pieces per box	U.M. Box	U.M. Pallet
		A	B	C	D					
SCD500374	TELESCOPING BRACKET MOD. "STANDARD - TSM" 160 EVO	400 - 760	140 - 370	480	460	160	PCS	1	1	110
SCD500375	TELESCOPING BRACKET MOD. "STANDARD - TSM" 180 EVO	400 - 760	240 - 420	480	510	180	PCS	1	1	110



# GALILEO MGL EVO



## BRACKET

### TECHNICAL SPECIFICATIONS

- Made of electro-galvanised metal sheet
- External polyester painting RAL 9002
- Ready for condensate drain pan
- "NO-SHOCK" sliding vibration dampers supplied
- Fixing plugs

## SUPPORT

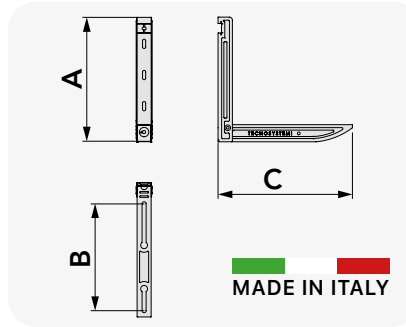
### CARACTÉRISTIQUES TECHNIQUES

- En tôle électro-galvanisée
- Peinture polyester d'extérieur RAL 9002
- Prédéposé pour le Bac de collecte des condensats
- Plots anti-vibrations coulissants « NO-SHOCK » fournis
- Chevilles de fixation

## REGAL

### TECHNISCHE EIGENSCHAFTEN

- Aus elektro-galvanisiertem Blech
- Polyesterbeschichtung für den Außenbereich RAL 9002
- Vorbereitet für Kondensatsammelbecken
- "NO-SHOCK" gleitende Schwingungsdämpfer im Lieferumfang enthalten
- Befestigungsdübel



CODE	DESCRIPTION	DIMENSIONS [mm]				LOAD CAPACITY [kg]	U.M.	Pieces per box	U.M. Box	U.M. Pallet
		A	B	C	D					
SCD500380	BRACKET "GALILEO MG IVORY" L.430 - 100kg	400	180 - 340	430	100	100	PCS	1	1	168
SCD500388	BRACKET "GALILEO MG IVORY" L.475 - 140kg	400	180 - 385	475	140	140	PCS	1	1	168
SCD500394	BRACKET "GALILEO XXL MG IVORY" L.625 - 75kg	400	240 - 465	625	75	75	PCS	1	1	168

# GALILEO MGL ECO



MADE IN ITALY

## BRACKET

### TECHNICAL SPECIFICATIONS

- Made of electro-galvanised metal sheet
- External polyester painting RAL 9002
- Ready for condensate drain pan
- Vibration dampers supplied
- Fixing plugs

## SUPPORT

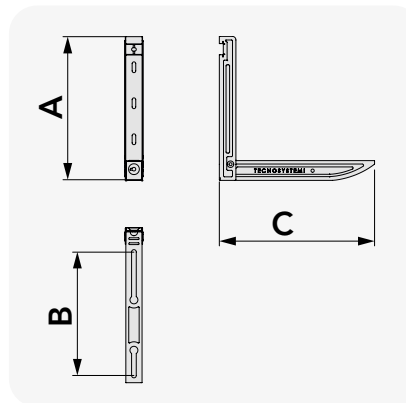
### CARACTÉRISTIQUES TECHNIQUES

- En tôle électro-galvanisée
- Peinture polyester d'extérieur RAL 9002
- Prédéposé pour le Bac de collecte des condensats
- Plots anti-vibrations fournis
- Chevilles de fixation

## REGAL

### TECHNISCHE EIGENSCHAFTEN

- Aus elektro-galvanisiertem Blech
- Polyesterbeschichtung für den Außenbereich RAL 9002
- Vorbereitet für Kondensatsammelbecken
- Schwingungsdämpfer werden mitgeliefert
- Befestigungsdübel



CODE	DESCRIPTION	DIMENSIONS [mm]			LOAD CAPACITY [kg]	U.M.	Pieces per box	U.M. Box	U.M. Pallet
		A	B	C					
SCD500382	BRACKET "GALILEO ECO MG IVORY" L.430 - 100kg	400	180 - 340	430	100	PCS	1	1	168
SCD500389	BRACKET "GALILEO ECO MG IVORY" L.475 - 140kg	400	180 - 385	475	140	PCS	1	1	168
SCD500395	BRACKET "GALILEO XXL ECO MG IVORY" L.625 - 75kg	400	240 - 465	625	75	PCS	1	1	168



# GALILEO MGL START



MADE IN ITALY

## BRACKET

### TECHNICAL SPECIFICATIONS

- Made of electro-galvanised metal sheet
- External polyester painting RAL 9002
- Ready for condensate drain pan
- Fixing plugs

## SUPPORT

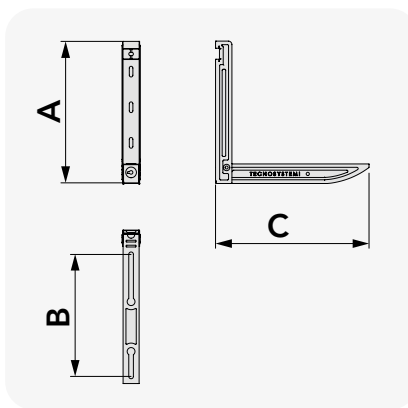
### CARACTÉRISTIQUES TECHNIQUES

- En tôle électro-galvanisée
- Peinture polyester d'extérieur RAL 9002
- Prédéposé pour le Bac de collecte des condensats
- Chevilles de fixation

## REGAL

### TECHNISCHE EIGENSCHAFTEN

- Aus elektro-galvanisiertem Blech
- Polyesterbeschichtung für den Außenbereich RAL 9002
- Vorbereitet für Kondensatsammelbecken
- Befestigungsdübel



PRE-ASSEMBLED



CODE	DESCRIPTION	DIMENSIONS [mm]			LOAD CAPACITY [kg]	U.M.	Pieces per box	U.M. Box	U.M. Pallet
		A	B	C					
SCD500383	BRACKET GALILEO MG IVORY START WITHOUT DAMPER KIT L.430 - 100kg	400	180 - 340	430	100	PCS	1	1	168
SCD500390	BRACKET GALILEO MG IVORY START WITHOUT DAMPER KIT L.475 - 140kg	400	180 - 385	475	140	PCS	1	1	168

# GIOTTO MG



MADE IN ITALY

## BRACKET

### TECHNICAL SPECIFICATIONS

- Made of electro-galvanised metal sheet
- External polyester painting RAL 9002
- Ready for condensate drain pan
- "NO-SHOCK" sliding vibration dampers supplied
- Fixing plugs
- Pre-assembled bracket

## SUPPORT

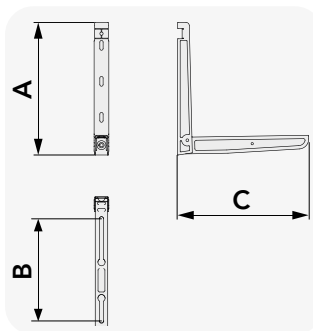
### CARACTÉRISTIQUES TECHNIQUES

- En tôle électro-galvanisée
- Peinture polyester d'extérieur RAL 9002
- Prédéposé pour le Bac de collecte des condensats
- Plots anti-vibrations coulissants « NO-SHOCK » fournis
- Chevilles de fixation
- Étagère pré-assemblée

## REGAL

### TECHNISCHE EIGENSCHAFTEN

- Aus elektro-galvanisiertem Blech
- Polyesterbeschichtung für den Außenbereich RAL 9002
- Vorbereitet für Kondensatsammelbecken
- "NO-SHOCK" gleitende Schwingungsdämpfer im Lieferumfang enthalten
- Befestigungsdübel
- Vormontierte Konsole



PRE-ASSEMBLED



CODE	DESCRIPTION	DIMENSIONS [mm]			LOAD CAPACITY [kg]	U.M.	Pieces per box	U.M. Box	U.M. Pallet
		A	B	C					
SCD500356	BRACKET "GIOTTO MG IVORY" L.400 - 120kg	400	150 - 310	400	120	PCS	1	1	168
SCD500359	BRACKET "GIOTTO MG IVORY" L.465 - 160kg	400	180 - 380	465	160	PCS	1	1	168
SCD500435	BRACKET "GIOTTO MG GREY" L.400 - 120kg	400	150 - 310	400	120	PCS	1	1	168
SCD500360	BRACKET "GIOTTO EVO MG GREY" L.465 - 160kg	400	180 - 380	465	160	PCS	1	1	168

## BRACKET

### TECHNICAL SPECIFICATIONS

- Made of electro-galvanised metal sheet
- External polyester painting RAL 9002
- Ready for condensate drain pan
- "NO-SHOCK" vibration dampers supplied
- Horizontal bottom slot to facilitate wall centring
- Wall mounting fixing plugs
- Pre-assembled bracket

## SUPPORT

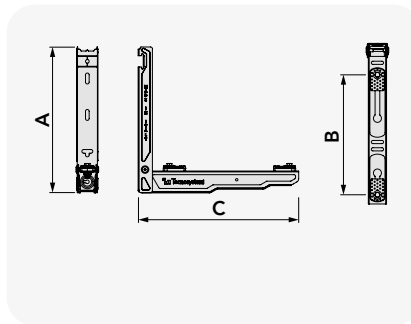
### CARACTÉRISTIQUES TECHNIQUES

- En tôle électro-galvanisée
- Peinture polyester d'extérieur RAL 9002
- Prêdisposé pour le Bac de collecte des condensats
- Plots anti-vibrations « NO-SHOCK » fournis
- Fente inférieure horizontale pour un centrage facile au mur
- Chevilles de fixation murale
- Étagère pré-assemblée

## REGAL

### TECHNISCHE EIGENSCHAFTEN

- Aus elektro-galvanisiertem Blech
- Polyesterbeschichtung für den Außenbereich RAL 9002
- Vorbereitet für Kondensatsammelbecken
- Vibrationsdämpfer „NO-SHOCK“ im Lieferumfang enthalten
- Horizontaler unterer Schlitz für einfache Wandzentrierung
- Wandbefestigungsdübel
- Vormontierte Konsole



CODE	DESCRIPTION	DIMENSIONS [mm]			LOAD CAPACITY [kg]	U.M.	Pieces per box	U.M. Box	U.M. Pallet
		A	B	C					
SCD500366	BRACKET "LEONARDO" IVORY L.440 - 110kg	400	180 - 330	440	110	PCS	1	1	168
SCD500368	BRACKET "LEONARDO" IVORY L.500 - 110kg	400	230 - 390	500	110	PCS	1	1	168
SCD500370	BRACKET "LEONARDO" IVORY L.560 - 110kg	400	270 - 450	560	110	PCS	1	1	168
SCD500372	BRACKET "LEONARDO" IVORY L.650 - 100kg	400	340 - 540	650	100	PCS	1	1	120

# WALL BAR L. 1000

## FOR BRACKETS KEPLER - GIOTTO - LEONARDO - CLASSIC AND SHELVES GIOTTO - LEONARDO

### TECHNICAL SPECIFICATIONS

- Made of electro-galvanised metal sheet
- External polyester painting
- Compatible with all brackets series: "Kepler", "Giotto", "Leonardo", "Classic" and all shelves series "Giotto" and "Leonardo"

## POUR ÉTRIERS KEPLERO - GIOTTO - LEONARDO - CLASSIC ET ÉTAGÈRES GIOTTO - LEONARDO

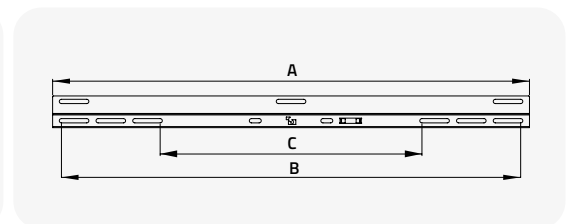
### CARACTÉRISTIQUES TECHNIQUES

- En tôle électro-galvanisée
- Peinture polyester d'extérieur
- Compatible avec tous les supports de la série : "Keplero", "Giotto", "Leonardo", "Classic" et toutes les étagères de la série "Giotto" et "Leonardo"

## FÜR WANDKONSOLEEN KEPLERO - GIOTTO - LEONARDO - CLASSIC UND KONSOLEN GIOTTO - LEONARDO

### TECHNISCHE EIGENSCHAFTEN

- Aus elektro-galvanisiertem Blech
- Polyesterbeschichtung für den Außenbereich
- Kompatibel mit allen WANDKONSOLEEN der Serien "Kepler", "Giotto", "Leonardo", "Classic" und allen Konsolen der Serien "Giotto" und "Leonardo"



CODE	DESCRIPTION	DIMENSIONS [mm]			U.M.	Pieces per box	U.M. Box
		A	B	C			
SCD500161	WALL BAR 1000L FOR GIOTTO - LEONARDO BRACKET	1000	960	550	PCS	1	1



## BRACKET

### TECHNICAL SPECIFICATIONS

- Made of electro-galvanised metal sheet
- External polyester painting RAL 9002
- "NO-SHOCK" vibration dampers supplied
- Ensures the installation of outdoor units 300 mm away from the wall

## SUPPORT

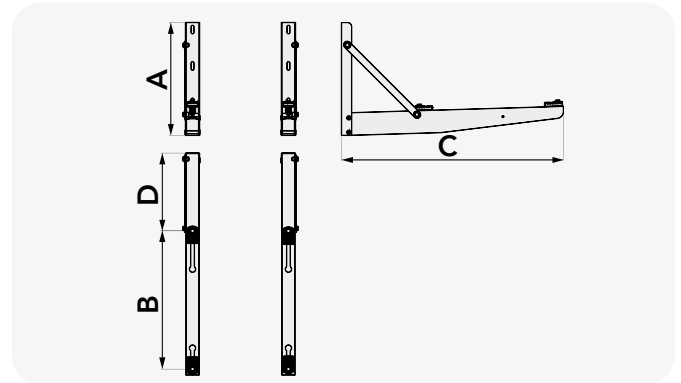
### CARACTÉRISTIQUES TECHNIQUES

- En tôle électro-galvanisée
- Peinture polyester d'extérieur RAL 9002
- Plots anti-vibrations « NO-SHOCK » fournis
- Garantit l'installation des unités extérieures à 300 mm du mur

## REGAL

### TECHNISCHE EIGENSCHAFTEN

- Aus elektro-galvanisiertem Blech
- Polyesterbeschichtung für den Außenbereich RAL 9002
- Vibrationsdämpfer „NO-SHOCK“ im Lieferumfang enthalten
- Gewährleistet die Montage von Außengeräten in einem Abstand von 300 mm zur Wand



CODE	DESCRIPTION	DIMENSIONS [mm]				LOAD CAPACITY [kg]	U.M.	Pieces per box	U.M. Box
		A	B	C					
SCD500210	BRACKET "LEONIDA" 785x2 (LOAD CAPACITY 150 kg)	400	300÷490	785		275÷400	PCS	1	1
SCD500211	BRACKET "LEONIDA" 785x3 (LOAD CAPACITY 185 kg)	400	300÷490	785		275÷400	PCS	1	1



# INDUSTRIAL TSE

## BRACKET

### TECHNICAL SPECIFICATIONS

- Made of electro-galvanised metal sheet
- External polyester painting RAL 9002
- Fixing plugs and vibration dampers not included
- Suitable for mounting VRF - VRF - air treatment units - refrigerator units - hot air generators

## SUPPORT

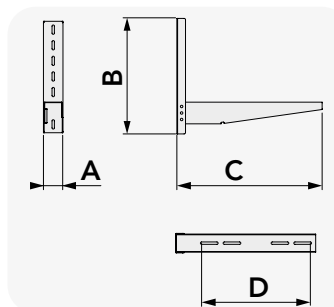
### CARACTÉRISTIQUES TECHNIQUES

- En tôle électro-galvanisée
- Peinture polyester d'extérieur RAL 9002
- Chevilles de fixation et anti-vibrations non incluses
- Convient pour le montage d'unités VRF - VRF - unités de traitement d'air - unités de réfrigération - générateurs d'air chaud

## REGAL

### TECHNISCHE EIGENSCHAFTEN

- Aus elektro-galvanisiertem Blech
- Polyesterbeschichtung für den Außenbereich RAL 9002
- Befestigungs- und schwingungsdämpfende Dübel nicht im Lieferumfang enthalten
- Geeignet für die Montage von VRF - Geräten - VRF - Lüftungsgeräten - Kühlgeräten - Warmluft erzeugern



CODE	DESCRIPTION	DIMENSIONS [mm]				LOAD CAPACITY [kg]	U.M.	Pieces per box	U.M. Box
		A	B	C	D				
SCD500008	INDUSTRIAL BRACKET "TSE 400"	140	800	1006	780	400	PCS	1	1
SCD500009	INDUSTRIAL BRACKET "TSE 450"	140	800	1205	940	450	PCS	1	1
SCD500022	INDUSTRIAL BRACKET "TSE 500"	140	850	1405	1180	500	PCS	1	1
SCD500023	INDUSTRIAL BRACKET "TSE 550"	140	850	1605	1380	550	PCS	1	1



# STANDARD TSE



MADE IN ITALY

## BRACKET

### TECHNICAL SPECIFICATIONS

- Made of electro-galvanised metal sheet
- External polyester painting RAL 9002
- Ready for condensate drain pan
- "NO-SHOCK" sliding vibration dampers supplied
- Fixing plugs

## SUPPORT

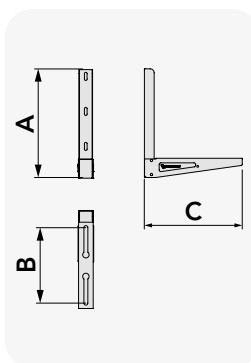
### CARACTÉRISTIQUES TECHNIQUES

- En tôle électro-galvanisée
- Peinture polyester d'extérieur RAL 9002
- Prédéposé pour le Bac de collecte des condensats
- Plots anti-vibrations coulissants « NO-SHOCK » fournis
- Chevilles de fixation

## REGAL

### TECHNISCHE EIGENSCHAFTEN

- Aus elektro-galvanisiertem Blech
- Polyesterbeschichtung für den Außenbereich RAL 9002
- Vorbereitet für Kondensatsammelbecken
- "NO-SHOCK" gleitende Schwingungsdämpfer im Lieferumfang enthalten
- Befestigungsdübel



**PRE-ASSEMBLED**

For our range of antivibration see pag. 178-179



Datasheet

CODE	DESCRIPTION	DIMENSIONS [mm]			FIXING PLUGS	LOAD CAPACITY [kg]	U.M.	Pieces per box	U.M. Box
		A	B	C					
11100031	STANDARD BRACKET TSE-140	400	120 - 280	360	INCLUDED	140	PCS	1	1
11100025	STANDARD BRACKET TSE-250	750	190 - 490	600	NOT INCLUDED	250	PCS	1	1
11100026	STANDARD BRACKET TSE-300	750	300 - 550	680	NOT INCLUDED	300	PCS	1	1
11100027	STANDARD BRACKET TSE-350	750	300 - 630	750	NOT INCLUDED	350	PCS	1	1
SCD500440*	STANDARD BRACKET TSE-160	400	140 - 370	460	INCLUDED	160	PCS	1	1
SCD500441*	STANDARD BRACKET TSE-180	400	240 - 420	510	INCLUDED	180	PCS	1	1
SCD500442*	BRACKET "STANDARD" TSE-210	440	240 - 500	600	INCLUDED	210	PCS	1	1

# KEPLERO SKP 120 A



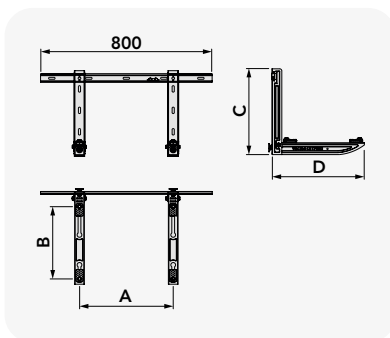
MADE IN ITALY



## STAINLESS STEEL WALL BRACKET

## SUPPORT EN ACIER INOXYDABLE KEPLERO SKP 120 A

## EDELSTAHLKONSOLE



**"No-shock" sliding vibration dampers supplied**

**Metal sheet + AISI 316 stainless steel bolts**

Datasheet

CODE	DESCRIPTION	DIMENSIONS [mm]				LOAD CAPACITY [kg]	U.M.	Pieces per box	U.M. Box
		A	B	C	D				
SCD500365	BRACKET SKP 120A "KEPLERO"	350 - 750	180 - 340	400	430	100	PCS	1	1

# GALILEO SGL 120 A

MADE IN ITALY



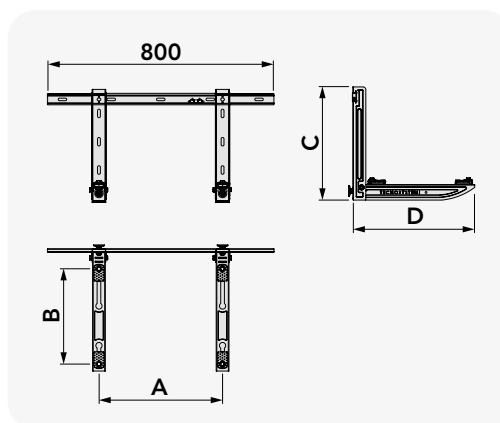
STAINLESS STEEL WALL BRACKET

SUPPORT EN ACIER INOXYDABLE KEPLERO SKP 120 A

EDELSTAHLKONSOLE

"No-shock" sliding vibration dampers supplied

Metal sheet + AISI 316 stainless steel bolts



Datasheet

CODE	DESCRIPTION	DIMENSIONS [mm]				LOAD CAPACITY [kg]	U.M.	Pieces per box	U.M. Box
		A	B	C	D				
SCD500384	BRACKET SGL100 A "GALILEO" INOX	440/750	180/340	400	430	100	PCS	1	1



# GALILEO MGL 120 A

MADE IN ITALY



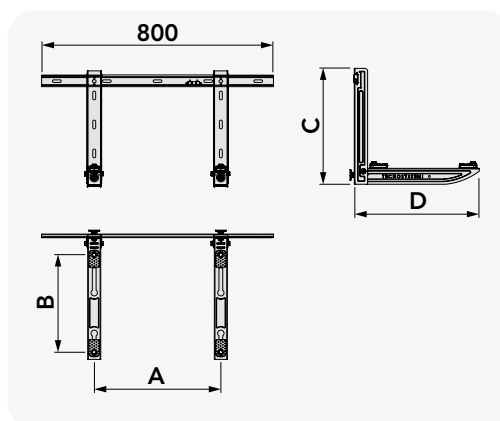
STAINLESS STEEL BRACKET

SUPPORT EN ACIER INOXYDABLE

EDELSTAHLREGAL

"No-shock" sliding vibration dampers supplied

Metal sheet + AISI 316 stainless steel bolts



Datasheet

CODE	DESCRIPTION	DIMENSIONS [mm]			LOAD CAPACITY [kg]	U.M.	Pieces per box	U.M. Box
		A	B	C				
SCD500381	BRACKET MGL100 A "GALILEO" INOX	400	180/340	430	100	PCS	1	1







# SPIRIT

## NO MORE RUST FROM NOW ON

The "SPIRIT" bracket is an ideal product for applications in coastal areas with a high salinity level. It is distinguished for its innovative design and its practical attachment system designed to facilitate installation and to optimise warehouse storage. The "SPIRIT" shelf is made of "PA6" plastic, shockproof and UV-proof material and is designed to withstand loads of up to 100 kg.



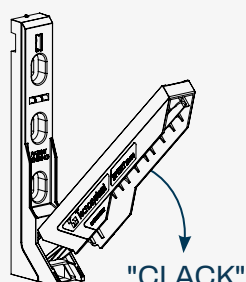
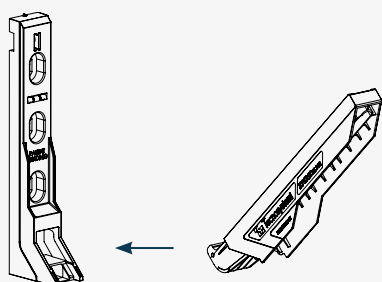
ACCELERATED AGEING TEST



POLYAMIDE PA6

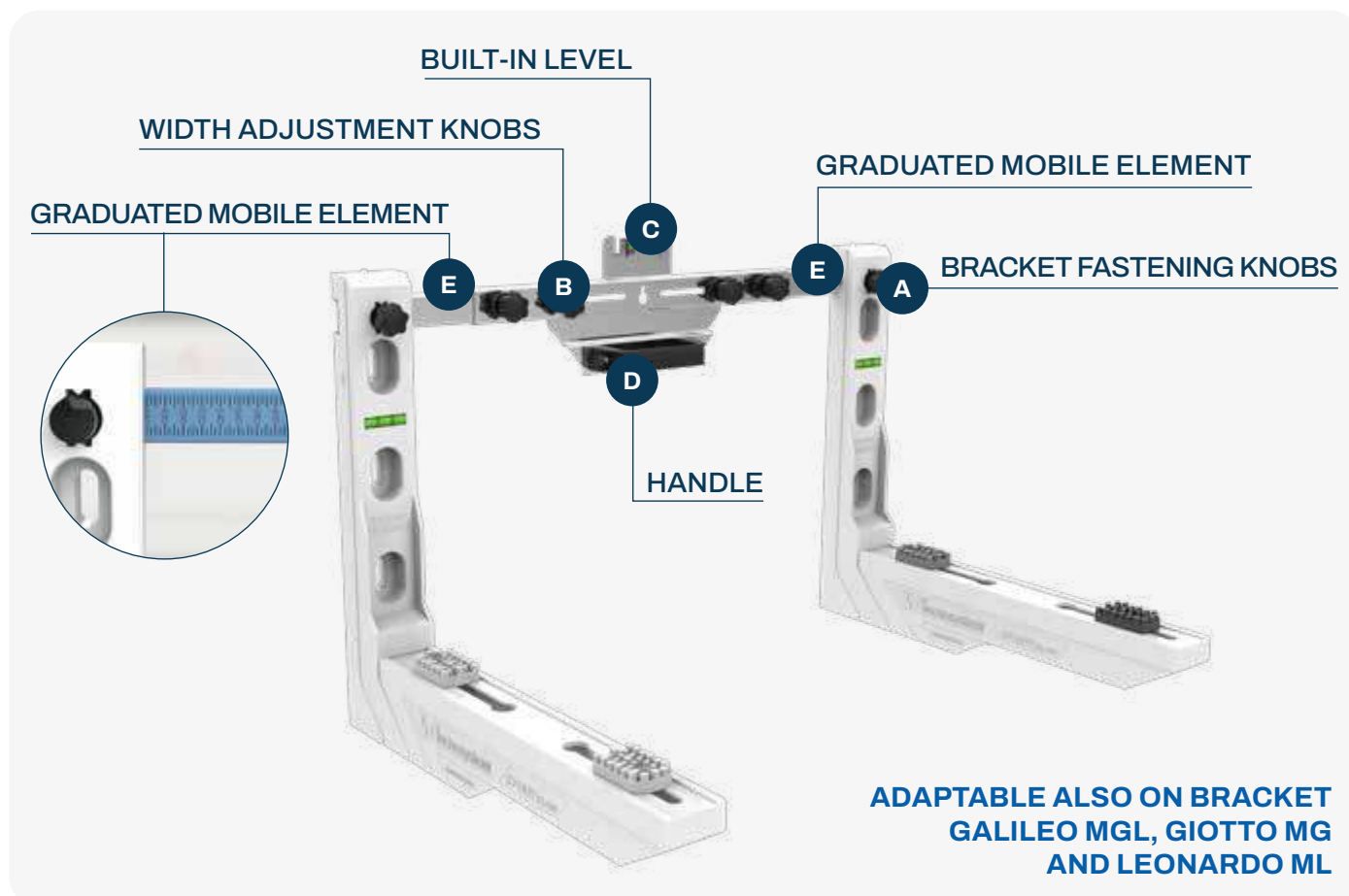
PA6 is a plastic material, in particular a polyamide with the following characteristics: **excellent mechanical characteristics and superior wear resistance.** PA6 has good resistance to mechanical stress even at low temperatures.

### Innovative attachment system



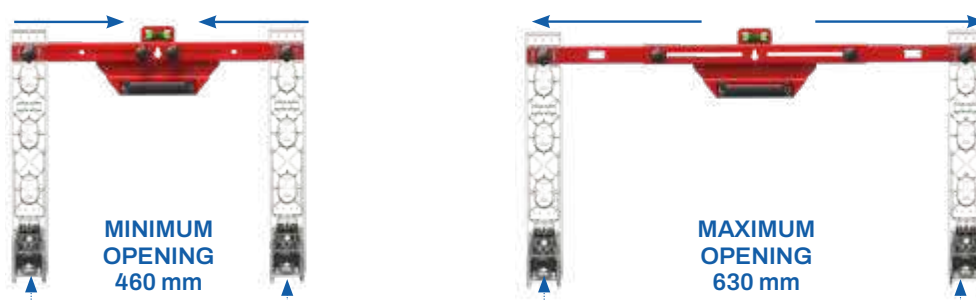
Spirit stands out for its **innovative design** and its practical attachment system designed to **facilitate installation and to optimise warehouse storage.**

## REUSABLE TELESCOPIC ADJUSTMENT BAR FOR ASSEMBLY FOR SPIRIT XL100 - XS100 SHELF



### Using the reusable telescopic bar, wall installations become a simple task

1. Fix via the knobs **A** the brackets to the telescopic bars **E**.
2. Adjust the desired width via the telescopic bars **E** and close using the adjustment knobs **B**.
3. Grip the handle **D**, place the bracket with the telescopic bar installed on the wall, level **C** and with a pencil mark the drilling point within the slots
4. After making the holes and having inserted the plugs, reposition everything on the wall using the handle **D**, insert the fastening screws and, before final closure, level **C**.
5. At the end of the operation unscrew and remove the knobs **A**, slightly loosen the adjustment knobs **B**, slide the 2 telescopic bars **E** towards the inside and again via the practical handle remove the telescopic adjustment bar



# SPIRIT XL100 - XS100



MADE IN ITALY



## BRACKET

### TECHNICAL SPECIFICATIONS

- Made of PA6
- Anti-vibration sliding "NO-SHOCK" and bubble supplied (in the PLUS version)
- Fixing plugs
- Ready for fastening "Blue River" condensate drain pan

## SUPPORT

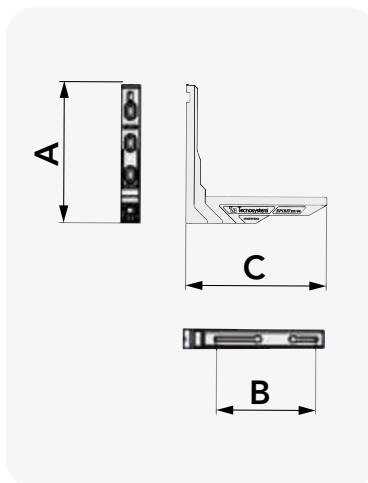
### CARACTÉRISTIQUES TECHNIQUES

- Fabriqué à partir de PA6
- Antivibratoires coulissants "NO-SHOCK" et bulle fournis (version PLUS)
- Chevilles de fixation
- Prédéposé pour la réparation du Bac collecteur de condensats "Blue River"

## REGAL

### TECHNISCHE EIGENSCHAFTEN

- Hergestellt aus PA6
- Schwingungsdämpfer "NO-SHOCK" und Libelle im Lieferumfang enthalten (in der Version PLUS)
- Befestigungsdübel
- Vorbereitet für die Befestigung des "Blue River" Kondensatsammelbeckens



Tested and guaranteed

Ideal for location near the sea with high salinity

### SUPPLIED WITH "BASIC MODEL"

- Fixing plugs

### SUPPLIED WITH "PLUS MODEL"

- Spirit level
- Fixing plugs
- "No-shock" sliding vibration dampers
- Stainless steel screws

CODE	DESCRIPTION	DIMENSIONS [mm]			LOAD CAPACITY [kg]	U.M.	Pieces per box	U.M. Box	U.M. Pallet
		A	B	C					
SCD500410	"SPIRIT XS100 BASIC" BRACKET	430	130 ÷ 310	440	100	PCS	1	1	60
SCD500411	"SPIRIT XL100 BASIC" BRACKET	430	130 ÷ 370	500	100	PCS	1	1	60
SCD500412	BRACKET "SPIRIT XS100 PLUS" with S/S screws	430	130 ÷ 310	440	100	PCS	1	1	40
SCD500413	BRACKET "SPIRIT XL100 PLUS" with S/S screws	430	130 ÷ 370	500	100	PCS	1	1	40



# SPIRIT

MADE IN ITALY



## TELESCOPIC ADJUSTMENT BAR BRACKET SPIRIT

### TECHNICAL SPECIFICATIONS

- Made of electro-galvanised metal sheet
- Includes spirit level
- Built-in handle
- Locking knobs
- Reusable after installation

## BARRE DE RÉGLAGE TÉLESCOPIQUE DU SUPPORT SPIRIT

### CARACTÉRISTIQUES TECHNIQUES

- En tôle électro-galvanisée
- Livré avec une bulle
- Poignée intégrée
- Boutons de fermeture
- Réutilisable après l'installation

## TELESKOP-REGALVERSTELLSTANGE SPIRIT

### TECHNISCHE EIGENSCHAFTEN

- Aus elektro-galvanisiertem Blech
- Libelle mitgeliefert
- Integrierter Griff
- Verriegelungsknöpfe
- Wiederverwendbar nach der Montage



CODE	DESCRIPTION	U.M.	Pieces per box
SCD500070	TELESCOPIC ADJUSTMENT BAR FOR BRACKETS "SPIRIT"	PCS	1

# TSTT 140 T

MADE IN ITALY

## TELESCOPIC TRANSVERSE ROOF BRACKET

### TECHNICAL SPECIFICATIONS

- Made of electro-galvanised metal sheet
- Adjustable tilt from 14° to 27°
- External polyester painting RAL 9002
- Telescopic bar
- "NO-SHOCK" sliding vibration dampers supplied
- Fixing plugs with chain
- Non-slip rubber feet

## SUPPORT DE TOIT TRANSVERSAL TÉLESCOPIQUE TSTT 140 T

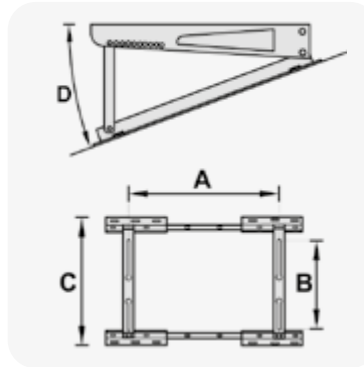
### CARACTÉRISTIQUES TECHNIQUES

- En tôle électro-galvanisée
- Inclinaison réglable de 14° à 27°
- Peinture polyester d'extérieur RAL 9002
- Barre télescopique
- Plots anti-vibrations coulissants « NO-SHOCK » fournis
- Chevilles de fixation avec chaîne
- Pieds en caoutchouc antidérapants

## TELESKOP QUERDACHKONSOLE

### TECHNISCHE EIGENSCHAFTEN

- Aus elektro-galvanisiertem Blech
- Einstellbare Neigung von 14° bis 27°
- Polyesterbeschichtung für den Außenbereich RAL 9002
- Teleskopstange
- "NO-SHOCK" gleitende Schwingungsdämpfer im Lieferumfang enthalten
- Wandbefestigung mit Kette
- Rutschfeste GummifüÙe



Virtual reality



Datasheet



CODE	DESCRIPTION	DIMENSIONS [mm]				U.M.	Pieces per box	U.M. Box
		A	B	C	D			
11100005	ROOF BRACKET TSTT-140 TELESCOPIC	130 - 600	140 - 370	500	14° - 27°	PCS	1	1

# TSTT 140 N

MADE IN ITALY



## TRANSVERSE ROOF BRACKET

### TECHNICAL SPECIFICATIONS

- Made of electro-galvanised metal sheet
- Adjustable tilt from 14° to 27°
- External polyester painting
- "NO-SHOCK" sliding vibration dampers supplied
- Fixing plugs with chain
- Non-telescopic

## SUPPORT DE TOIT TRANSVERSAL TSTT 140 N

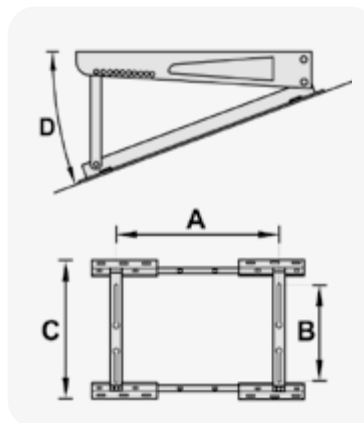
### CARACTÉRISTIQUES TECHNIQUES

- En tôle électro-galvanisée
- Inclinaison réglable de 14° à 27°
- Peinture polyester d'extérieur
- Plots anti-vibrations coulissants « NO-SHOCK » fournis
- Chevilles de fixation avec chaîne
- Non télescopique

## QUERDACHKONSOLE

### TECHNISCHE EIGENSCHAFTEN

- Aus elektro-galvanisiertem Blech
- Einstellbare Neigung von 14° bis 27°
- Polyesterbeschichtung für den Außenbereich
- "NO-SHOCK" gleitende Schwingungsdämpfer im Lieferumfang enthalten
- Wandbefestigung mit Kette
- Nicht teleskopisch



Datasheet



CODE	DESCRIPTION	DIMENSIONS [mm]				LOAD CAPACITY [kg]	U.M.	Pieces per box	U.M. Box
		A	B	C	D				
11100009	ROOF BRACKET TSTT-140 NON-TELESCOPIC	350 - 750	140 - 370	500	14° - 27°	140	PCS	1	1



# TSTT 140 A

MADE IN ITALY



## TRANSVERSE ROOF BRACKET FOR CRIMPED METAL SHEET

### TECHNICAL SPECIFICATIONS

- Made of electro-galvanised metal sheet
- Adjustable tilt from 14° to 27°
- External polyester painting RAL 9002
- "NO-SHOCK" sliding vibration dampers supplied
- With #4 clamp mounts for stainless steel standing seam sheets

## SUPPORT TRANSVERSAL DE TOIT POUR TÔLE SERTIE TSTT 140 A

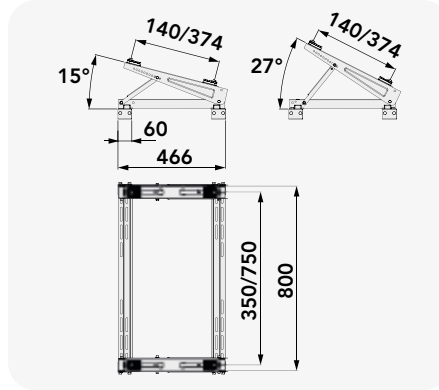
### CARACTÉRISTIQUES TECHNIQUES

- En tôle électro-galvanisée
- Inclinaison réglable de 14° à 27°
- Peinture polyester d'extérieur RAL 9002
- Plots anti-vibrations coulissants « NO-SHOCK » fournis
- Avec 4 supports au mur à étau en acier inoxydable pour les tôles agrafées en acier inoxydable

## QUERDACHKONSOLE FÜR GEKRIMPTES BLECH

### TECHNISCHE EIGENSCHAFTEN

- Aus elektro-galvanisiertem Blech
- Einstellbare Neigung von 14° bis 27°
- Polyesterbeschichtung für den Außenbereich RAL 9002
- "NO-SHOCK" gleitende Schwingungsdämpfer im Lieferumfang enthalten
- Mit 4 Klemmträgern für gefaltete Edelstahlbleche



Virtual reality



Datasheet



CODE	DESCRIPTION	LOAD CAPACITY [kg]	U.M.	Pieces per box	U.M. Box
SCD500109	ROOF BRACKET TSTT-140A FOR METAL SHEET ROOFS	140	pcs	1	1

# TSTL 140

MADE IN ITALY



## ELECTRO-GALVANISED LONGITUDINAL ROOF BRACKET

### TECHNICAL SPECIFICATIONS

- Made of electro-galvanised metal sheet
- Adjustable tilt from 10° to 30°
- External polyester painting RAL 9002
- Telescopic bar
- "NO-SHOCK" sliding vibration dampers supplied
- Fixing plugs with chain
- Anti-vibration rubber feet

## SUPPORT DE TOIT LONGITUDINAL ÉLECTRO-GALVANISÉ TSTL 140

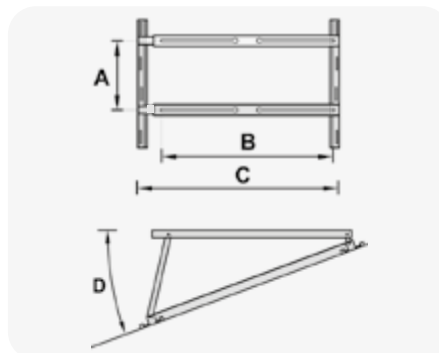
### CARACTÉRISTIQUES TECHNIQUES

- En tôle électro-galvanisée
- Inclinaison réglable de 10° à 30°
- Peinture polyester d'extérieur RAL 9002
- Barre télescopique
- Plots anti-vibrations coulissants « NO-SHOCK » fournis
- Chevilles de fixation avec chaîne
- Pieds en caoutchouc anti-vibrations

## ELEKTROVERZINKTER DA-CHLÄNGSKONSOLE

### TECHNISCHE EIGENSCHAFTEN

- Aus elektro-galvanisiertem Blech
- Einstellbare Neigung von 10° bis 30°
- Polyesterbeschichtung für den Außenbereich RAL 9002
- Teleskopstange
- "NO-SHOCK" gleitende Schwingungsdämpfer im Lieferumfang enthalten
- Wandbefestigung mit Kette
- Schwingungsdämpfende Gummileitfüße



Datasheet



CODE	DESCRIPTION	DIMENSIONS [mm]				LOAD CAPACITY [kg]	U.M.	Pieces per box	U.M. Box
		A	B	C	D				
11100004	ROOF BRACKET TSTL-140 LONGITUDINAL	130 - 680	450 - 800	1000 - 1135	13° ~ 24°	140	pcs	1	1



## LONGITUDINAL WALL BRACKET

### TECHNICAL SPECIFICATIONS

- Made of electro-galvanised metal sheet
- External polyester painting RAL 9002
- "No-Shock" sliding vibration dampers supplied

## SUPPORT LONGITUDINAL À DRAPEAU TMB

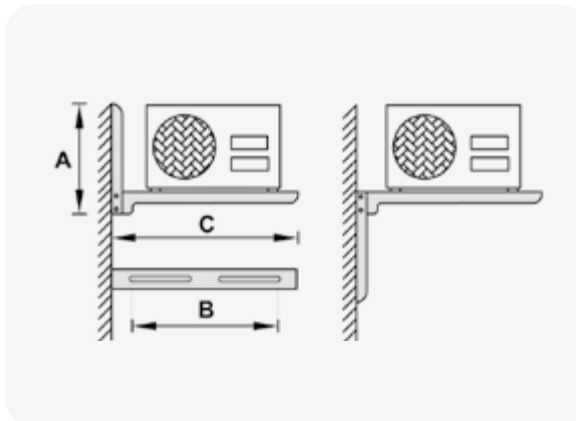
### CARACTÉRISTIQUES TECHNIQUES

- En tôle électro-galvanisée
- Peinture polyester d'extérieur RAL 9002
- Supports anti-vibrations coulissants « No-Shock » fournis

## LÄNGSFAHNENREGAL

### TECHNISCHE EIGENSCHAFTEN

- Aus elektro-galvanisiertem Blech
- Polyesterbeschichtung für den Außenbereich RAL 9002
- „No-Shock“ gleitende Schwingungsdämpfer werden mitgeliefert



CODE	DESCRIPTION	DIMENSIONS [mm]			LOAD CAPACITY [kg]	U.M.	Pieces per box	U.M. Box
		A	B	C				
11100057	CANTILEVER BRACKET TMB-70	400	460÷640	750	70	PCS	1	1
11100058	CANTILEVER BRACKET TMB-110	750	540÷795	900	110	PCS	1	1
11100059	CANTILEVER BRACKET TMB-140	750	700÷945	1050	140	PCS	1	1

Datasheet



# TMS-100

## CEILING BRACKET

### TECHNICAL SPECIFICATIONS

- Made of electro-galvanised metal sheet
- External polyester painting RAL 9002

## SUPPORT AU PLAFOND TMS 100

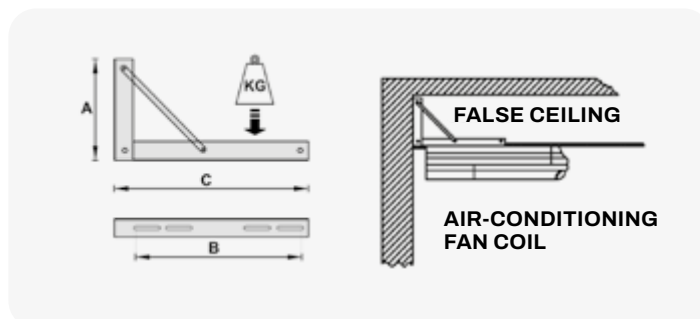
### CARACTÉRISTIQUES TECHNIQUES

- En tôle électro-galvanisée
- Peinture polyester d'extérieur RAL 9002

## DECKENREGAL

### TECHNISCHE EIGENSCHAFTEN

- Aus elektro-galvanisiertem Blech
- Polyesterbeschichtung für den Außenbereich RAL 9002



Indicated for fixing all types of air conditioning units and ceiling fans.

Datasheet

CODE	DESCRIPTION	DIMENSIONS [mm]			LOAD CAPACITY [kg]	U.M.	Pieces per box	U.M. Box
		A	B	C				
11100022	CEILING BRACKET TMS-100	250	150 - 550	600	100	PCS	1	1



## TELESCOPIC WALL BRACKET FOR THERMAL INSULATION

### TECHNICAL SPECIFICATIONS

- Made of electro-galvanised metal sheet
- External polyester painting
- Vibration dampers supplied
- Fixing plugs not supplied
- Fixing template supplied
- Thermal recovery insulation, supplied
- Aesthetic finishing plates supplied

## SUPPORT TÉLESCOPIQUE POUR ISOLATION THERMIQUE

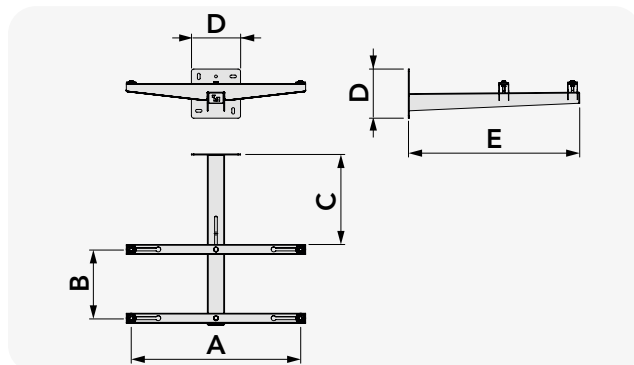
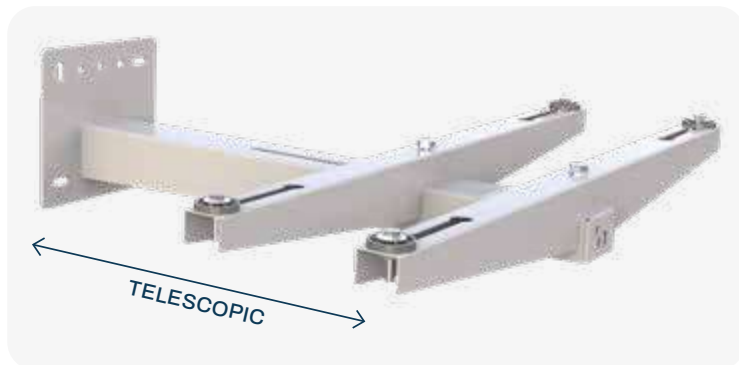
### CARACTÉRISTIQUES TECHNIQUES

- En tôle électro-galvanisée
- Peinture polyester d'extérieur
- Plots anti-vibrations fournis
- Chevilles de fixation non fournies
- Gabarit de fixation fourni
- Tampon en couche thermique pour restauration, fourni
- Plaques de finition esthétiques fournies

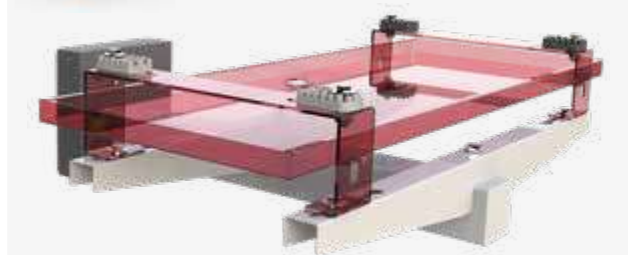
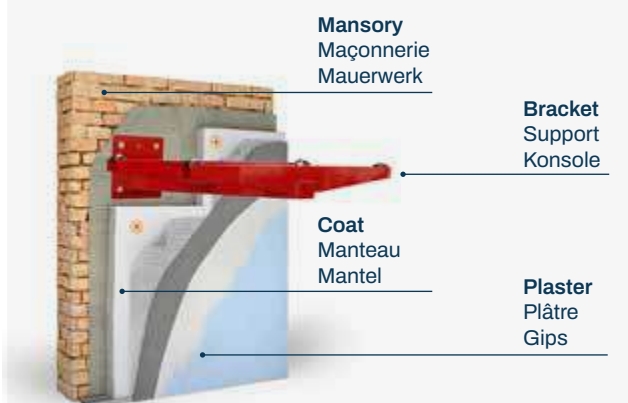
## TELESKOPISCHE MANTELKONSOLE

### TECHNISCHE EIGENSCHAFTEN

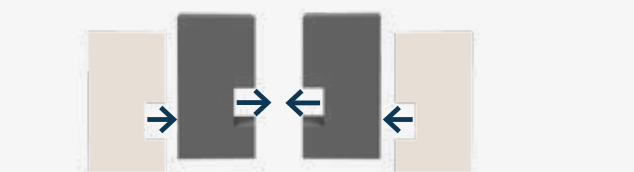
- Aus elektro-galvanisiertem Blech
- Polyesterbeschichtung für den Außenbereich
- Schwingungsdämpfer werden mitgeliefert
- Befestigungsdübel nicht im Lieferumfang enthalten
- Befestigungslehre wird mitgeliefert
- Mitgelieferte Wärmedämmabdeckung für die Renovierung
- Ästhetische Abschlussplatten im Lieferumfang enthalten



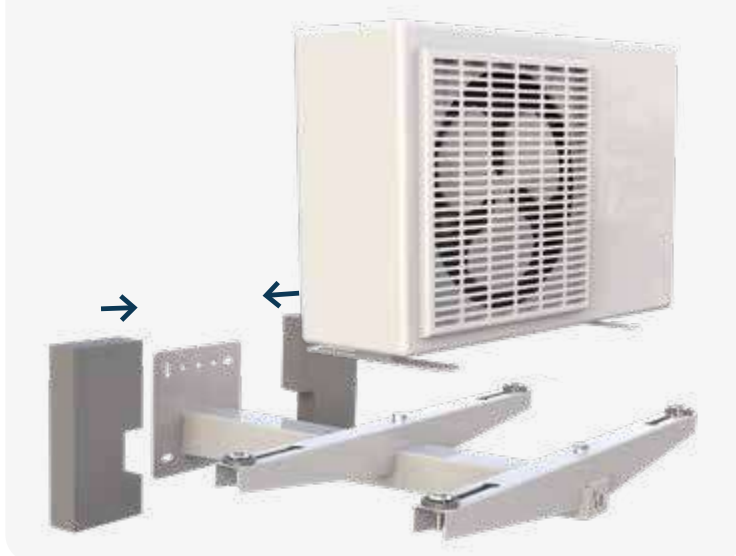
### INSTALLATION EXAMPLE



Possibility of installing the SCD500080 tray support on the bracket



Thermal coat closure templates included



### Video



### Datasheet



CODE	DESCRIPTION	DIMENSIONS [mm]					LOAD CAPACITY [kg]	U.M.	Pieces per box	U.M. Box
		A	B	C	D	E				
SCD500141	TELESCOPIC BRACKET FOR THERMAL CLADDING "TSCT"	490 ÷ 690	230 ÷ 410	230 ÷ 410	200	700	90	PCS	1	1

**BRACKET FOR THERMAL PRE-INSULATION**

**ÉTAGÈRE DE PRÉ-COUCHE THERMIQUE**

**VOR-MANTELKONSOLE**

**TECHNICAL SPECIFICATIONS**

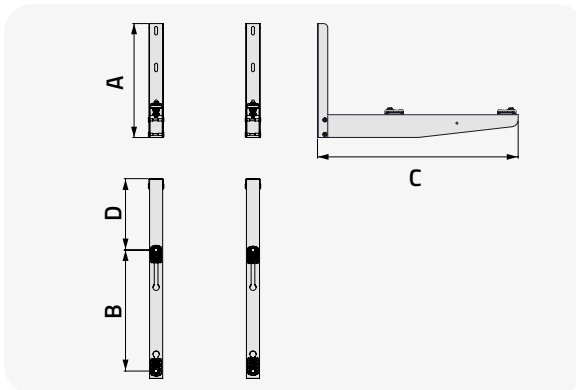
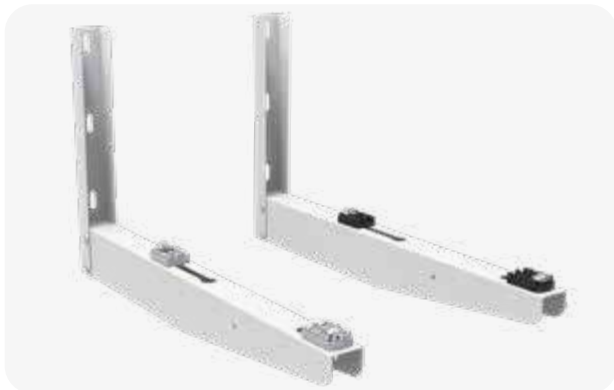
- Made of electro-galvanised metal sheet
- External polyester painting
- "NO-SHOCK" sliding vibration dampers supplied

**CARACTÉRISTIQUES TECHNIQUES**

- En tôle électro-galvanisée
- Peinture polyester d'extérieur
- Supports anti-vibrations coulissants « NO-SHOCK » fournis

**TECHNISCHE EIGENSCHAFTEN**

- Aus elektro-galvanisiertem Blech
- Polyesterbeschichtung für den Außenbereich
- „NO-SHOCK“ gleitende Schwingungsdämpfer werden mitgeliefert



Virtual reality



**INSTALLATION EXAMPLE**



Datasheet



CODE	DESCRIPTION	DIMENSIONS [mm]				LOAD CAPACITY [kg]	U.M.	Pieces per box	U.M. Box
		A	B	C	D				
SCD500160	BRACKET FOR THERMAL CLADDING "TMPC 750"	400	270 ÷ 475	750	250 ÷ 415	90	pcs	1	1
SCD500162	BRACKET FOR THERMAL CLADDING "TMPC 850"	400	270 ÷ 525	850	300 ÷ 515	90	pcs	1	1

**NORTHERN BRACKET "SN"**

**NORTHERN BRACKET**

**SUPPORT AU MUR**

**WANDKONSOLE**

**TECHNICAL SPECIFICATIONS**

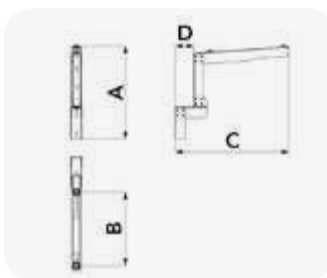
- Made of electro-galvanised metal sheet painted with polyester powder
- External polyester painting RAL 9002
- Sliding vibration dampers supplied

**CARACTÉRISTIQUES TECHNIQUES**

- Fabriqué en feuille électro-galvanisée peinte avec de la poudre de polyester
- Peinture polyester d'extérieur RAL 9002
- Plots anti-vibrations coulissants fournis

**TECHNISCHE EIGENSCHAFTEN**

- Aus elektro-galvanisiertem, mit Polyesterpulver lackiertem Blech
- Polyesterbeschichtung für den Außenbereich RAL 9002
- Gleitende Schwingungsdämpfer im Lieferumfang enthalten



Datasheet



CODE	DESCRIPTION	DIMENSIONS [mm]				LOAD CAPACITY [kg]	U.M.	Pieces per box	U.M. Box
		A	B	C	D				
SCD500113	"SN - NORTHERN" BRACKET	460	225 ÷ 390	600	60 ÷ 100	100	PCS	1	1

## 🇬🇧 SUSPENSION WALL BRACKET TSP

### TECHNICAL SPECIFICATIONS

- Made of electro-galvanised metal sheet
- External polyester painting RAL 9002
- Ready for condensate drain pan
- "NO-SHOCK" sliding vibration dampers supplied

## 🇫🇷 SUPPORT À SUSPENSION TSP

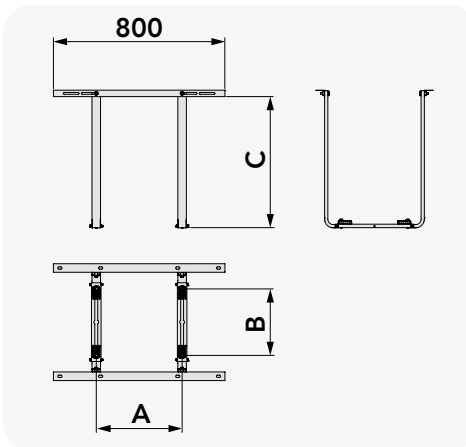
### CARACTÉRISTIQUES TECHNIQUES

- En tôle électro-galvanisée
- Peinture polyester d'extérieur RAL 9002
- Prédéposé pour le Bac de collecte des condensats
- Plots anti-vibrations coulissants « NO-SHOCK » fournis

## 🇩🇪 AUFHÄNGEKONSOLE

### TECHNISCHE EIGENSCHAFTEN

- Aus elektro-galvanisiertem Blech
- Polyesterbeschichtung für den Außenbereich RAL 9002
- Vorbereitet für Kondensatsammelbecken
- "NO-SHOCK" gleitende Schwingungsdämpfer im Lieferumfang enthalten



CODE	DESCRIPTION	DIMENSIONS [mm]			LOAD CAPACITY [kg]	U.M.	Pieces per box	U.M. Box
		A	B	C				
11100035	BRACKET TSP-80 SUSPENDED	400 - 700	300	625	80	PCS	1	1
11100040	BRACKET TSP-120 SUSPENDED	400 - 700	300	725	120	PCS	1	1



# MR

## 🇬🇧 RAILING BRACKET

### TECHNICAL SPECIFICATIONS

- Made of electro-galvanised metal sheet
- External polyester painting RAL 9002
- Ready for condensate drain pan
- "No-Shock" sliding vibration dampers supplied
- Vibration-damping in rubber supplied

## 🇫🇷 ÉTAGÈRE GARDE-CORPS MR

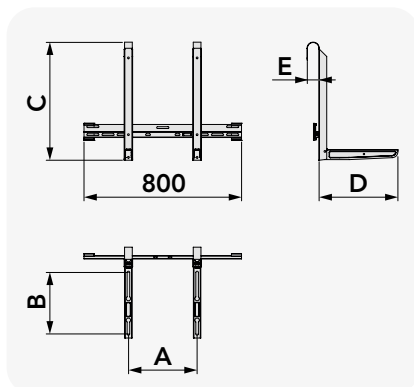
### CARACTÉRISTIQUES TECHNIQUES

- En tôle électro-galvanisée
- Peinture polyester d'extérieur RAL 9002
- Prédéposé pour le Bac de collecte des condensats
- Supports anti-vibrations coulissants « No-Shock » fournis
- Supports anti-vibrations en caoutchouc coulissants

## 🇩🇪 GELÄNDERREGAL

### TECHNISCHE EIGENSCHAFTEN

- Aus elektro-galvanisiertem Blech
- Polyesterbeschichtung für den Außenbereich RAL 9002
- Vorbereitet für Kondensatsammelbecken
- „No-Shock“ gleitende Schwingungsdämpfer werden mitgeliefert
- gleitende Schwingungsdämpfer aus Gummi



DIMENSIONS [mm]				
A	B	C	D	E
350 - 760	150 - 310	600	400	60
350 - 760	180 - 380	700	470	60

CODE	DESCRIPTION	LOAD CAPACITY [kg]	U.M.	Pieces per box	U.M. Box
11100028	RAILING MR-70	70	PCS	1	1
11100029	MR 100 - RAILING BRACKET	100	PCS	1	1





## WALL-HUNG BRACKET

### TECHNICAL SPECIFICATIONS

- Made of electro-galvanised metal sheet
- External polyester painting RAL 9002
- Ready for condensate drain pan
- "NO-SHOCK" sliding vibration dampers supplied

## SUPPORT SUSPENDU TMSP

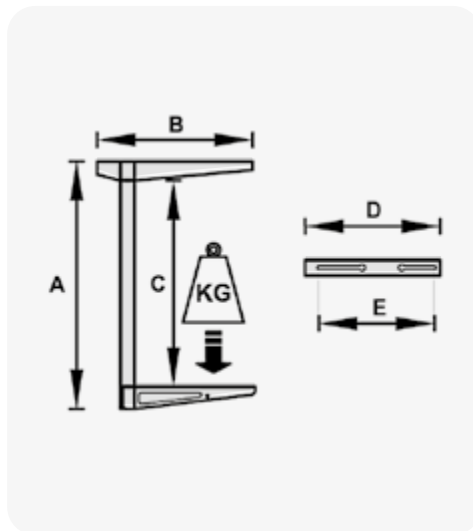
### CARACTÉRISTIQUES TECHNIQUES

- En tôle électro-galvanisée
- Peinture polyester d'extérieur RAL 9002
- Prédisposé pour le Bac de collecte des condensats
- Plots anti-vibrations coulissants « NO-SHOCK » fournis

## HÄNGEREGAL

### TECHNISCHE EIGENSCHAFTEN

- Aus elektro-galvanisiertem Blech
- Polyesterbeschichtung für den Außenbereich RAL 9002
- Vorbereitet für Kondensatsammelbecken
- "NO-SHOCK" gleitende Schwingungsdämpfer im Lieferumfang enthalten



Datasheet

CODE	DESCRIPTION	DIMENSIONS [mm]					LOAD CAPACITY [kg]	U.M.	Pieces per box	U.M. Box
		A	B	C	D	E				
11100041	BRACKET TMSP-90 SUSPENDED	840	491	700	460	140 - 370	90	PCS	1	1
11100042	BRACKET TMSP-130 SUSPENDED	1040	540	900	510	240 - 420	130	PCS	1	1

**STAY UPDATE!**  
 DOWNLOAD OUR BROCHURE  
 BRACKETS AND WALL BRACKETS



SCAN THE QR CODE





# FLOOR SUPPORT



**FLOOR MOUNT WITH VIBRATION-DAMPERS FOR DRAIN PAN**

**TECHNICAL SPECIFICATIONS**

- Made of galvanized metal sheet
- External polyester painting RAL 9002
- "NO-SHOCK" sliding vibration dampers supplied
- Includes adjustable floor anti-vibration feet

**SUPPORT AU SOL AVEC ANTI-VIBRATIONS POUR BAC**

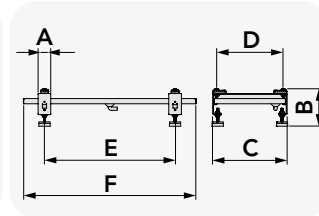
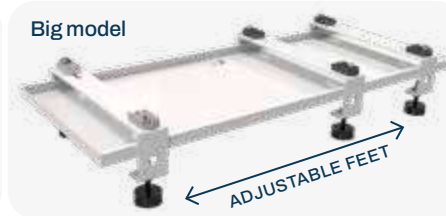
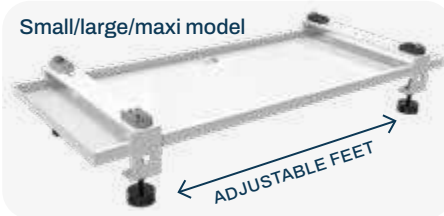
**CARACTÉRISTIQUES TECHNIQUES**

- Fabriqué en tôle galvanisée
- Peinture polyester d'extérieur RAL 9002
- Plots anti-vibrations coulissants « NO-SHOCK » fournis
- Livré avec pieds anti-vibrations réglables au sol

**BODENWANDKONSOLE MIT SCHWINGUNGSDÄMPFUNG FÜR WANNE**

**TECHNISCHE EIGENSCHAFTEN**

- Aus verzinktem Blech
- Polyesterbeschichtung für den Außenbereich RAL 9002
- "NO-SHOCK" gleitende Schwingungsdämpfer im Lieferumfang enthalten
- Komplett mit verstellbaren, schwingungsdämpfenden Füßen am Boden



CODE	DESCRIPTION	DIMENSIONS [mm]						LOAD CAPACITY [kg]	U.M.	Pieces per box
		A	B	C	D	E	F			
SCD500080	FLOOR MOUNT WITH SMALL TRAY SBP	60	130 ÷ 170	360	205 ÷ 310	400 ÷ 760	820	150	PCS	1
SCD500081	FLOOR MOUNT WITH LARGE TRAY SBP	60	130 ÷ 170	410	230 ÷ 260	400 ÷ 920	980	150	PCS	1
SCD500079	FLOOR MOUNT WITH MAXI TRAY SBP	60	130 ÷ 170	570	400 ÷ 520	400 ÷ 1040	1100	150	PCS	1
SCD500122	FLOOR MOUNT WITH MAXI TRAY SBP 1250x390	60	130 ÷ 170	410	230 ÷ 360	400 ÷ 1190	1250	170	PCS	1
NEW SCD500352	FLOOR MOUNTS AND VIBRATION DAMPING	60	130 ÷ 170	570	400 ÷ 520	400 ÷ 1240	1300	170	PCS	1
SCD500091	FLOOR MOUNT WITH MAXI TRAY SBP - BIG	60	130 ÷ 170	570	400 ÷ 520	400 ÷ 1340	1400	180	PCS	1

**FLOOR MOUNT WITH VIBRATION-DAMPERS FOR SBP BASIN WITH ANTI-FREEZE HEATING CABLE**

**TECHNICAL SPECIFICATIONS**

- Made of galvanized metal sheet
- External polyester painting RAL 9002
- Cable length for 3 m condensate drain pipe
- Includes heating cable
- 15 W/m length 6m + 3m (9m total)
- Power supply voltage 230 V
- Built-in thermostat
- Connection at 3°C and disconnection at 12°C
- "NO-SHOCK" sliding vibration dampers supplied
- Includes adjustable floor anti-vibration feet

**SUPPORT AU SOL AVEC ANTI-VIBRATIONS POUR BAC SBP AVEC CÂBLE DE CHAUFFAGE ANTIGEL**

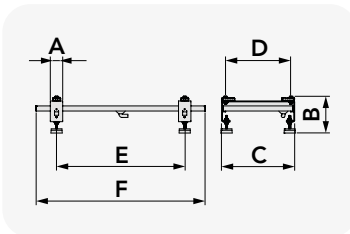
**CARACTÉRISTIQUES TECHNIQUES**

- Fabriqué en tôle galvanisée
- Peinture polyester d'extérieur RAL 9002
- Longueur de câble pour tuyau de vidange de condensat de 3 m
- Livré avec câble chauffant
- 15 W/m de 6 m + 3 m (9 m au total)
- Tension d'alimentation 230 V
- Thermostat intégré
- Insertion à 3°C et déconnexion à 12°C
- Plots anti-vibrations coulissants « NO-SHOCK » fournis
- Livré avec pieds anti-vibrations réglables au sol

**BODENWANDKONSOLE MIT ANTI-VIBRATION FÜR WANNE SBP MIT FROST-SCHUTZ-HEIZKABEL**

**TECHNISCHE EIGENSCHAFTEN**

- Aus verzinktem Blech
- Polyesterbeschichtung für den Außenbereich RAL 9002
- Kabellänge für 3 m Kondensatableitungsrohr
- Komplett mit Heizkabel
- 15 W/m ab 6 m + 3m (insgesamt 9 m)
- Netzspannung 230 V
- Eingebauter Thermostat
- Einsetzen bei 3°C und Trennen bei 12°C
- "NO-SHOCK" gleitende Schwingungsdämpfer im Lieferumfang enthalten
- Komplett mit verstellbaren, schwingungsdämpfenden Füßen am Boden



CODE	DESCRIPTION	DIMENSIONS [mm]						LOAD CAPACITY [kg]	U.M.	Pieces per box
		A	B	C	D	E	F			
SCD500306	FLOOR MOUNT WITH LARGE TRAY SBP 980x410 WITH HEATING CABLE	60	130 ÷ 170	410	230 ÷ 360	400 ÷ 920	980	150	PCS	1
SCD500307	FLOOR MOUNT WITH MAXI TRAY SBP 1100x570 WITH HEATING CABLE	60	130 ÷ 170	570	400 ÷ 520	400 ÷ 1040	1100	150	PCS	1
SCD500313	FLOOR MOUNT WITH MAXI TRAY SBP 1250x390 WITH HEATING CABLE	60	130 ÷ 170	410	230 ÷ 360	400 ÷ 1190	1250	170	PCS	1
NEW SCD500353	FLOOR MOUNT WITH MAXI TRAY SBP 1300x570 WITH HEATING CABLE	60	130 ÷ 170	570	400 ÷ 520	400 ÷ 1240	1300	170	PCS	1
SCD500318	FLOOR MOUNT WITH BIG TRAY SBP 1400x570 WITH HEATING CABLE	60	130 ÷ 170	570	400 ÷ 520	400 ÷ 1340	1400	180	PCS	1

**INFINITY FLOOR SUPPORT WITH BLUE RIVER DRAIN PAN AND GENIUS 1000 FIXED FOOT**

**TECHNICAL SPECIFICATIONS**

- Electro-galvanised metal sheet feet
- Polyester exterior feet painted in ivory RAL 9002
- BLUE RIVER basin in ivory ABS PMMA plastic
- Coupling for condensate drain pipe Ø 16
- Includes "NO-SHOCK" 2 Hard + 2 Soft anti-vibration kit
- Genius 1000 feet with Ø10 quick release pin

**WITH HEATING CABLE 3 m:**

- Includes 15 W/m 3 m heating cable
- Coupling for condensate drain pipe Ø 16

**WITH HEATING CABLE 3+3 m:**

- Includes 15 W/m 3 m + 3 m (6 m total) heating cable
- Coupling for condensate drain pipe Ø 20
- Equipped with a condensate drain pipe securing clamp
- With 3 m insulated condensate drain pipe

- Heating cable diameter 6 mm
- Power supply voltage 230 V
- Resistance tolerances -5% / +10%
- Activation of element at +3°C
- Built-in thermal sensor

**SUPPORT AU SOL INFINITY AVEC BAC BLUE RIVER ET PIED HAUTEUR FIXE GENIUS 1000**

**CARACTÉRISTIQUES TECHNIQUES**

- Pieds en tôle électro-galvanisée
- Pieds peints en polyester pour extérieur couleur ivoire RAL 9002
- Bac BLUE RIVER en plastique ABS PMMA couleur ivoire
- Raccord pour tuyau de vidange de condensat Ø 16
- Livré avec le kit anti-vibrations « NO-SHOCK » 2 durs + 2 souples
- Pieds de sol Genius 1000 avec goupille de fixation rapide Ø10

**AVEC CÂBLE CHAUFFANT DE 3 m :**

- Livré avec un câble chauffant de 15 W/m 3 m
- Raccord pour tuyau de vidange de condensat Ø 16

**AVEC CÂBLE CHAUFFANT 3+3 m :**

- Livré avec un câble chauffant de 15 W/m 3 m + 3 m (6 m au total)
- Raccord pour tuyau de vidange de condensat Ø 20
- Équipé d'un collier de fixation de tuyau de vidange de condensat
- Avec tuyau de vidange de condensat isolé de 3 m

- Diamètre du câble de chauffage 6 mm
- Tension d'alimentation 230 V
- Tolérances de résistance -5% / +10%
- Activation de la résistance à +3°C
- Capteur thermique intégré

**BODENWANDKONSOLE INFINITY MIT BLUE RIVER WANNE UN BODENFUSS MIT FESTER HÖHE GENIUS 1000**

**TECHNISCHE EIGENSCHAFTEN**

- Elektrozinkte Blechfüße
- Füße in Polyesterbeschichtung für den Außenbereich Elfenbeinfarbe RAL 9002
- BLUE RIVER WANNE aus elfenbeinfarbenem ABS-PMMA-Kunststoff
- Anschluss für Kondensatablauf Ø 16
- Komplett mit "NO-SHOCK" 2 Hard + 2 Soft Anti-Vibration Kit
- Genius 1000 Bodenfüße mit Schnellbefestigungsstift Ø10

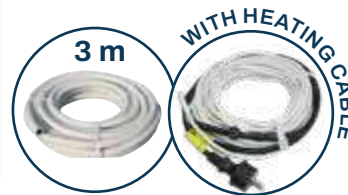
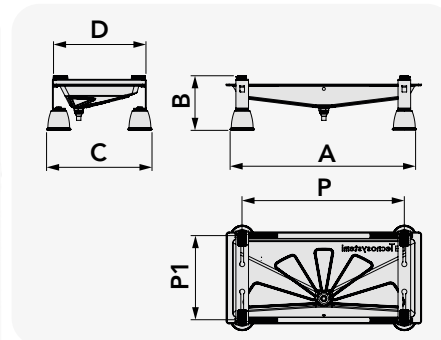
**MIT HEIZKABEL 3 m:**

- Komplett mit 15 W/m 3 m Heizkabel
- Anschluss für Kondensatablauf Ø 16

**MIT HEIZKABEL 3+3 m:**

- Komplett mit 15 W/m 3 m + 3 m (insgesamt 6 m) Heizkabel
- Anschluss für Kondensatablauf Ø 20
- Mit Schelle zur Befestigung des Kondensatablaufs
- Mit isoliertem Kondensatablaufröhr 3 m

- Heizkabeldurchmesser 6 mm
- Netzspannung 230 V
- Widerstandstoleranzen -5 % / +10 %
- Aktivierung des Widerstandes bei + 3°C
- Eingebauter Therosensor



Virtual reality



Datasheet



CODE	DESCRIPTION	DIMENSIONS [mm]						LOAD CAPACITY [kg]	U.M.	Pieces per box
		A	B	C	D	P	P1			
SCD500010	FLOOR STAND "INFINITY" W/ SMALL DRAIN PAN "BLUE RIVER + FIXED FEET "GENIUS 1000"	850	230	460	410	400-800	150 - 370	150	PCS	1
SCD500011	FLOOR STAND "INFINITY" W/ LARGE DRAIN PAN "BLUE RIVER + FIXED FEET "GENIUS 1000"	1050	230	460	410	1000-400	370 - 150	150	PCS	1
<b>INFINITY WITH HEATING CABLE 3 M</b>										
SCD500292	FLOOR STAND "INFINITY" W/ SMALL DRAIN PAN "BLUE RIVER + 3 MT CABLE + FIXED FEET "GENIUS 1000"	850	230	460	410	800-400	370 - 150	150	PCS	1
SCD500293	FLOOR STAND "INFINITY" W/ LARGE DRAIN PAN "BLUE RIVER + 3 MT CABLE + FIXED FEET "GENIUS 1000"	1050	230	460	410	1000-400	370 - 150	150	PCS	1
<b>INFINITY WITH HEATING CABLE 3+3 M (6M)</b>										
SCD500296	FLOOR STAND "INFINITY" W/ SMALL DRAIN PAN "BLUE RIVER + 6 MT CABLE + FIXED FEET "GENIUS 1000"	850	230	460	410	800-400	370 - 150	150	PCS	1
SCD500297	FLOOR STAND "INFINITY" W/ LARGE DRAIN PAN "BLUE RIVER + 6 MT CABLE + FIXED FEET "GENIUS 1000"	1050	230	460	410	1000-400	370 - 150	150	PCS	1



**INFINITY FLOOR SUPPORT  
WITH BLUE RIVER DRAIN  
PAN AND GENIUS 1000R  
ADJUSTABLE FOOT**

**TECHNICAL SPECIFICATIONS**

- Electro-galvanised metal sheet feet
- Polyester exterior feet painted in ivory RAL 9002
- BLUE RIVER basin in ivory ABS PMMA plastic
- Coupling for condensate drain pipe Ø 16
- Includes "NO-SHOCK" 2 Hard + 2 Soft anti-vibration kit
- Genius 1000R adjustable feet with M10 screw fastening

**WITH 3M HEATING CABLE:**

- Includes 15 W/m 3 m heating cable
- Coupling for condensate drain pipe Ø 16

**WITH 3+3 M HEATING CABLE:**

- Includes 15 W/m 3 m + 3 m (6 m total) heating cable
- Coupling for condensate drain pipe Ø 20
- Equipped with a condensate drain pipe securing clamp
- Insulated and insulated condensate drain pipe 3 m

- Heating cable diameter 6 mm
- Power supply voltage 230 V
- Resistance tolerances -5% / +10%
- Activation of element at +3°C
- Built-in thermal sensor

**SUPPORT AU SOL INFINITY  
AVEC BAC BLUE RIVER  
ET PIED HAUTEUR RÉGLABLE  
GENIUS 1000R**

**CARACTÉRISTIQUES TECHNIQUES**

- Pieds en tôle électro-galvanisée
- Pieds peints en polyester pour extérieur couleur ivoire RAL 9002
- Bac BLUE RIVER en plastique ABS PMMA couleur ivoire
- Raccord pour tuyau de vidange de condensat Ø 16
- Livré avec le kit anti-vibrations « NO-SHOCK » 2 durs + 2 souples
- Pieds de sol Genius 1000R réglables avec fixation à vis M10

**AVEC CÂBLE CHAUFFANT DE 3 M:**

- Livré avec un câble chauffant de 15 W/m 3 m
- Raccord pour tuyau de vidange de condensat Ø 16

**AVEC CÂBLE CHAUFFANT DE 3+3 M:**

- Livré avec un câble chauffant de 15 W/m 3 m + 3 m (6 m au total)
- Raccord pour tuyau de vidange de condensat Ø 20
- Équipé d'un collier de fixation de tuyau de vidange de condensat
- Tuyau de vidange des condensats isolé et calorifugé 3 m

- Diamètre du câble de chauffage 6 mm
- Tension d'alimentation 230 V
- Tolérances de résistance -5% / +10%
- Activation de la résistance à + 3°C
- Capteur thermique intégré

**BODENWANDKONSOLE  
INFINITY MIT BLUE  
RIVER WANNE UND  
VERSTELLBAREM FUSS  
GENIUS 1000R**

**TECHNISCHE EIGENSCHAFTEN**

- Elektroverzinkte Blechfüße
- Füße in Polyesterbeschichtung für den Außenbereich Elfenbeinfarbe RAL 9002
- BLUE RIVER WANNE aus elfenbeinfarbenem ABS-PMMA-Kunststoff
- Anschluss für Kondensatablauf Ø 16
- Komplett mit "NO-SHOCK" 2 Hard + 2 Soft Anti-Vibration Kit
- Genius 1000R verstellbare Bodenfüße mit Befestigung M10 Schraube

**MIT 3M HEIZKABEL:**

- Komplett mit 15 W/m 3 m Heizkabel
- Anschluss für Kondensatablauf Ø 16

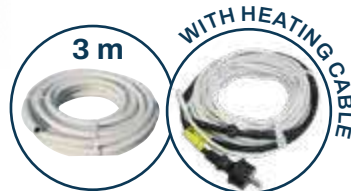
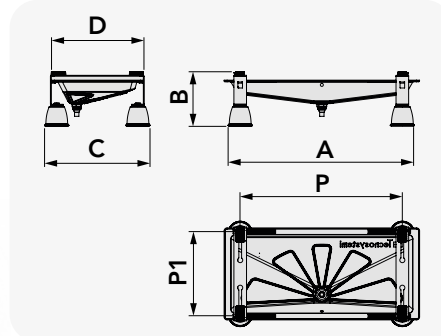
**MIT 3+3 M HEIZKABEL:**

- Komplett mit 15 W/m 3 m + 3 m (insgesamt 6 m) Heizkabel
- Anschluss für Kondensatablauf Ø 20
- Mit Schelle zur Befestigung des Kondensatablaufs
- Isoliertes und gedämmtes Kondensatablaufrohr 3 m

- Heizkabeldurchmesser 6 mm
- Netzspannung 230 V
- Widerstandtoleranzen -5 % / +10 %
- Aktivierung des Widerstandes bei + 3°C
- Eingebauter Thermosensor



**GENIUS 1000R  
WITH REGULAR RING**



Virtual reality



Datasheet



CODE	DESCRIPTION	DIMENSIONS [mm]						LOAD CAPACITY [kg]	U. M.	Pieces per box
		A	B	C	D	P	P1			
SCD500012	FLOOR STAND "INFINITY" W/ SMALL DRAIN PAN "BLUE RIVER + ADJUSTABLE FEET "GENIUS 1000"	850	230÷260	410	460	800-400	370-150	150	PCS	1
SCD500013	FLOOR STAND "INFINITY" W/ LARGE DRAIN PAN "BLUE RIVER + ADJUSTABLE FEET "GENIUS 1000"	1050	230÷260	410	460	1000-400	370-150	150	PCS	1
<b>INFINITY WITH HEATING CABLE 3 M</b>										
SCD500294	FLOOR STAND "INFINITY" W/ SMALL DRAIN PAN "BLUE RIVER + 3 MT CABLE + ADJUSTABLE FEET "GENIUS 1000"	850	230÷260	410	460	800-400	370-150	150	PCS	1
SCD500295	FLOOR STAND "INFINITY" W/ LARGE DRAIN PAN "BLUE RIVER + 3 MT CABLE + ADJUSTABLE FEET "GENIUS 1000"	1050	230÷260	410	460	1000-400	370-150	150	PCS	1
<b>INFINITY WITH HEATING CABLE 3+3 M (6M)</b>										
SCD500298	FLOOR STAND "INFINITY" W/ SMALL DRAIN PAN "BLUE RIVER + 6 MT CABLE + ADJUSTABLE FEET "GENIUS 1000"	850	230÷260	410	460	800-400	370-150	150	PCS	1
SCD500299	FLOOR STAND "INFINITY" W/ LARGE DRAIN PAN "BLUE RIVER + 6 MT CABLE + ADJUSTABLE FEET "GENIUS 1000"	1050	230÷260	410	460	1000-400	370-150	150	PCS	1



**INFINITY FLOOR SUPPORT  
PAN AND SUELO MAXI  
ADJUSTABLE FOOT 450 - 600**

**TECHNICAL SPECIFICATIONS**

- Electro-galvanised metal sheet feet
- Polyester exterior painting in ivory RAL 9002
- BLUE RIVER basin in ivory ABS PMMA plastic
- Coupling for condensate drain pipe Ø 16
- Includes "NO-SHOCK" 2 Hard + 2 Soft anti-vibration kit
- Suelo Maxi 450 in rigid anti-UVA shockproof PVC
- Rubber support base

**WITH 3M HEATING CABLE:**

- Includes 15 W/m 3 m heating cable
- Coupling for condensate drain pipe Ø 16

- Includes 15 W/m 3 m + 3 m (6 m total) heating cable
- Coupling for condensate drain pipe Ø 20
- Equipped with a condensate drain pipe securing clamp
- With 3 m insulated condensate drain pipe

- Heating cable diameter 6 mm
- Power supply voltage 230 V
- Resistance tolerances -5% / +10%
- Activation of element at +3°C
- Built-in thermal sensor

**SUPPORT DE SOL INFINITY  
AVEC BAC BLUE RIVER  
ET PIED RÉGABLE SUELO  
MAXI 450-600**

**CARACTÉRISTIQUES TECHNIQUES**

- Pieds en tôle électro-galvanisée
- Peinture polyester d'extérieur couleur ivoire RAL 9002
- Bac BLUE RIVER en plastique ABS PMMA couleur ivoire
- Raccord pour tuyau de vidange de condensat Ø 16
- Livré avec le kit anti-vibrations « NO-SHOCK » 2 durs + 2 souples
- Suelo Maxi 450 en PVC rigide anti UVA, résistant aux chocs
- Base de support en caoutchouc

**AVEC CÂBLE CHAUFFANT DE 3 M:**

- Livré avec un câble chauffant de 15 W/m 3 m
- Raccord pour tuyau de vidange de condensat Ø 16

**AVEC CÂBLE CHAUFFANT DE 3+3 M:**

- Livré avec un câble chauffant de 15 W/m 3 m + 3 m (6 m au total)
- Raccord pour tuyau de vidange de condensat Ø 20
- Équipé d'un collier de fixation de tuyau de vidange de condensat
- Avec tuyau de vidange de condensat isolé de 3 m

- Diamètre du câble de chauffage 6 mm
- Tension d'alimentation 230 V
- Tolérances de résistance -5% / +10%
- Activation de la résistance à + 3°C
- Capteur thermique intégré

**BODENWANDKONSOLE  
INFINITY MIT BLUE  
RIVER WANNE UND  
VERSTELLBAREM FUSS  
SUELO MAXI 450-600**

**TECHNISCHE EIGENSCHAFTEN**

- Elektroversinkte Blechfüße
- Polyesterbeschichtung für den Außenbereich Elfenbeinfarbe RAL 9002
- BLUE RIVER WANNE aus elfenbeinfarbenem ABS-PMMA-Kunststoff
- Anschluss für Kondensatablauf Ø 16
- Komplett mit "NO-SHOCK" 2 Hard + 2 Soft Anti-Vibration Kit
- Suelo Maxi zu 450 aus starrem, UVA-geschütztem, stoßfestem PVC
- Gummiauflage

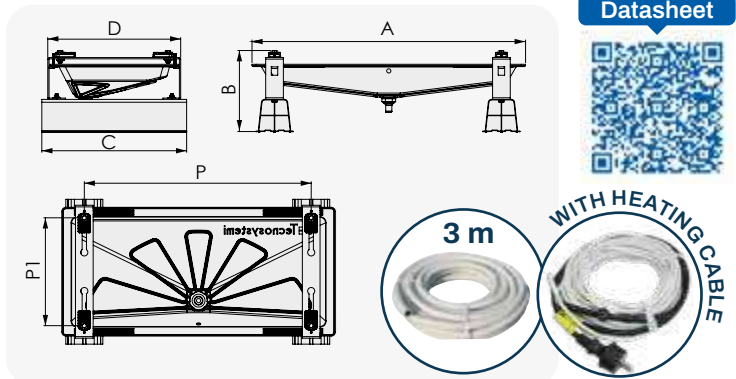
**MIT 3M HEIZKABEL:**

- Komplett mit 15 W/m 3 m Heizkabel
- Anschluss für Kondensatablauf Ø 16

**MIT 3+3 M HEIZKABEL:**

- Komplett mit 15 W/m 3 m + 3 m (insgesamt 6 m) Heizkabel
- Anschluss für Kondensatablauf Ø 20
- Mit Schelle zur Befestigung des Kondensatablaufs
- Mit isoliertem Kondensatablaufrohr 3 m

- Heizkabeldurchmesser 6 mm
- Netzspannung 230 V
- Widerstandstoleranzen -5 % / +10 %
- Aktivierung des Widerstandes bei + 3°C
- Eingebauter Thermosensor



Datasheet



CODE	DESCRIPTION	DIMENSIONS [mm]						LOAD CAPACITY [kg]	U.M.	Pieces per box
		A	B	C	D	P	P1			
SCD500186	FLOOR STAND "INFINITY" WITH SMALL "BLUE RIVER" DRAIN PAN & "SUELO MAXI 450" FOOT MOUNTS	845	250	450	410	800/400	350/150	150	PCS	1
SCD500187	FLOOR STAND "INFINITY" WITH BIG "BLUE RIVER" DRAIN PAN & "SUELO MAXI 450" FOOT MOUNTS	1050	250	450	410	1000/400	350/150	150	PCS	1
SCD500257	FLOOR STAND "INFINITY" WITH "BLUE RIVER" DRAIN PAN 1250x500 WITH SUPPORT "SUELO MAXI - 600"	1250	250	600	520	1100/600	450/250	190	PCS	1
<b>INFINITY WITH HEATING CABLE 3 M</b>										
SCD500314	FLOOR STAND "INFINITY" WITH SMALL "BLUE RIVER" DRAIN PAN WITH HEATING CABLE 3 mt. & "SUELO MAXI 450" FOOT MOUNTS	845	250	450	410	800/400	350/150	150	PCS	1
SCD500315	FLOOR STAND "INFINITY" WITH BIG "BLUE RIVER" DRAIN PAN WITH HEATING CABLE 3 mt. & "SUELO MAXI 450" FOOT MOUNTS	1050	250	450	410	1000/400	350/150	150	PCS	1
SCD500258	FLOOR STAND "INFINITY" WITH "BLUE RIVER" DRAIN PAN 1250x500 WITH HEATING CABLE 3mt and SUPPORT "SUELO MAXI - 600"	1250	250	600	520	1100/600	450/250	190	PCS	1
<b>INFINITY WITH HEATING CABLE 3+3 M (6M)</b>										
SCD500316	FLOOR STAND "INFINITY" WITH SMALL "BLUE RIVER" DRAIN PAN WITH HEATING CABLE 3 mt. + 3mt. (6mt.) & "SUELO MAXI 450" FOOT MOUNTS	845	250	450	410	800/400	350/150	150	PCS	1
SCD500317	FLOOR STAND "INFINITY" WITH BIG "BLUE RIVER" DRAIN PAN WITH HEATING CABLE 3 mt. + 3 mt. (6mt.) & "SUELO MAXI 450" FOOT MOUNTS	1050	250	450	410	1000/400	350/150	150	PCS	1
SCD500259	FLOOR STAND "INFINITY" WITH "BLUE RIVER" DRAIN PAN 1250x500 WITH HEATING CABLE 3mt + 3mt (6mt) and SUPPORT "SUELO MAXI - 600"	1250	250	600	520	1100/600	450/250	190	PCS	1



**INFINITY FLOOR SUPPORT WITH BLUE RIVER AND EXTREME 100-8 BASES**

**TECHNICAL SPECIFICATIONS**

- Electro-galvanised metal sheet feet
- Polyester exterior feet painted in ivory RAL 9002
- BLUE RIVER basin in ivory ABS PMMA plastic
- Coupling for condensate drain pipe Ø 16
- Includes "NO-SHOCK" 2 Hard + 2 Soft anti-vibration kit
- SBR EXTREME vulcanised rubber floor bases with M8 fastening bolt

**WITH 3M HEATING CABLE:**

- Includes 15 W/m 3 m heating cable
- Coupling for condensate drain pipe Ø 16

**WITH 3+3 M HEATING CABLE:**

- Includes 15 W/m 3 m + 3 m (6 m total) heating cable
- Coupling for condensate drain pipe Ø 20
- Equipped with a condensate drain pipe securing clamp
- With 3 m insulated condensate drain pipe

- Heating cable diameter 6 mm
- Power supply voltage 230 V
- Resistance tolerances -5% / +10%
- Activation of element at +3°C
- Built-in thermal sensor

**SUPPORT AU SOL INFINITY AVEC BLUE RIVER ET BASES EXTREME 100-8**

**CARACTÉRISTIQUES TECHNIQUES**

- Pieds en tôle électro-galvanisée
- Pieds peints en polyester pour extérieur couleur ivoire RAL 9002
- Bac BLUE RIVER en plastique ABS PMMA couleur ivoire
- Raccord pour tuyau de vidange de condensat Ø 16
- Livré avec le kit anti-vibrations « NO-SHOCK » 2 durs + 2 souples
- Bases de sol caoutchouc vulcanisé SBR EXTRÊME avec boulon de fixation M8

**AVEC CÂBLE CHAUFFANT DE 3 M:**

- Livré avec un câble chauffant de 15 W/m 3 m
- Raccord pour tuyau de vidange de condensat Ø 16

**AVEC CÂBLE CHAUFFANT DE 3+3 M:**

- Livré avec un câble chauffant de 15 W/m 3 m + 3 m (6 m au total)
- Raccord pour tuyau de vidange de condensat Ø 20
- Équipé d'un collier de fixation de tuyau de vidange de condensat
- Avec tuyau de vidange de condensat isolé de 3 m

- Diamètre du câble de chauffage 6 mm
- Tension d'alimentation 230 V
- Tolérances de résistance -5% / +10%
- Activation de la résistance à + 3°C
- Capteur thermique intégré

**BODENWANDKONSOLE INFINITY BLUE RIVER UND SOCKEL EXTREME 100-8**

**TECHNISCHE EIGENSCHAFTEN**

- Elektroverzinkte Blechfüße
- Füße in Polyesterbeschichtung für den Außenbereich Elfenbeinfarbe RAL 9002
- BLUE RIVER WANNE aus elfenbeinfarbenem ABS-PMMA-Kunststoff
- Anschluss für Kondensatablauf Ø 16
- Komplet mit "NO-SHOCK" 2 Hard + 2 Soft Anti-Vibration Kit
- SBR EXTREME Bodensockel aus vulkanisiertem Gummi mit M8 Befestigungsschraube

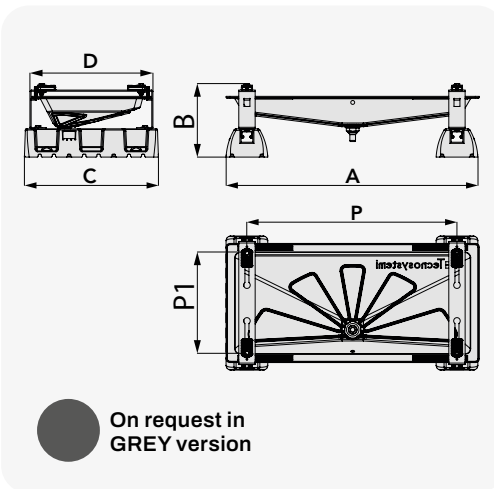
**MIT 3M HEIZKABEL:**

- Komplet mit 15 W/m 3 m Heizkabel
- Anschluss für Kondensatablauf Ø 16

**MIT 3+3 M HEIZKABEL:**

- Komplet mit 15 W/m 3 m + 3 m (insgesamt 6 m) Heizkabel
- Anschluss für Kondensatablauf Ø 20
- Mit Schelle zur Befestigung des Kondensatablaufs
- Mit isoliertem Kondensatablauffrohr 3 m

- Heizkabeldurchmesser 6 mm
- Netzspannung 230 V
- Widerstandstoleranzen -5 % / +10 %
- Aktivierung des Widerstandes bei + 3°C
- Eingebauter ThermoSENSOR



CODE	DESCRIPTION	DIMENSIONS [mm]						LOAD CAPACITY [kg]	U.M.	Pieces per box
		A	B	C	D	P	P1			
SCD500103	FLOOR STAND "INFINITY" W/ SMALL DRAIN PAN "BLUE RIVER + "EXTREME-8-100"	845	240	450	410	800-400	350-150	150	PCS	1
SCD500104	FLOOR STAND "INFINITY" W/ LARGE DRAIN PAN "BLUE RIVER + "EXTREME-8-100"	1050	240	450	410	1000-400	350-150	150	PCS	1
SCD500256	FLOOR STAND "INFINITY" WITH "BLUE RIVER" DRAIN PAN 1250x500 WITH HEATING CABLE 3mt and SUPPORT "EXTREME - 600"	1250	240	600	520	1100-600	450-250	190	PCS	1
<b>INFINITY WITH HEATING CABLE 3 M</b>										
SCD500308	FLOOR STAND "INFINITY" W/ SMALL DRAIN PAN "BLUE RIVER + 3 MT CABLE + "EXTREME-8-100"	845	240	450	410	800-400	350-150	150	PCS	1
SCD500309	FLOOR STAND "INFINITY" W/ LARGE DRAIN PAN "BLUE RIVER + 3 MT CABLE + "EXTREME-8-100"	1050	240	450	410	1000-400	350-150	150	PCS	1
SCD500255	FLOOR STAND "INFINITY" WITH "BLUE RIVER" DRAIN PAN 1250x500 WITH HEATING CABLE 3mt - EXTREME RUBBER FEET 100-8	1250	240	600	520	1100-600	450-250	190	PCS	1
<b>INFINITY WITH HEATING CABLE 3+3 M (6M)</b>										
SCD500310	FLOOR STAND "INFINITY" W/ SMALL DRAIN PAN "BLUE RIVER + 6 MT CABLE + "EXTREME-8-100"	845	240	450	410	800-400	350-150	150	PCS	1
SCD500311	FLOOR STAND "INFINITY" W/ LARGE DRAIN PAN "BLUE RIVER + 6 MT CABLE + "EXTREME-8-100"	1050	240	450	410	1000-400	350-150	150	PCS	1
SCD500229	FLOOR STAND "INFINITY" WITH "BLUE RIVER" DRAIN PAN 1250X500 HEATING CABLE 3mt+3m (6mt) - EXTREME RUBBER FEET 100-8	1250	240	600	520	1100-600	450-250	190	PCS	1

**INFINITY FLOOR SUPPORT WITH BLUE RIVER AND 3 EXTREME 100-8 BASES**

**TECHNICAL SPECIFICATIONS**

- Electro-galvanised metal sheet feet
- Polyester exterior feet painted in ivory
- BLUE RIVER basin in ivory ABS PMMA plastic
- Coupling for condensate drain pipe Ø 16
- Includes "NO-SHOCK" 2 Hard + 2 Soft anti-vibration kit
- SBR EXTREME vulcanised rubber floor bases with M8 fastening bolt

**SUPPORT AU SOL INFINITY AVEC BLUE RIVER ET 3 BASES EXTREME 100-8**

**CARACTÉRISTIQUES TECHNIQUES**

- Pieds en tôle électro-galvanisée
- Pieds peints en polyester pour extérieur couleur ivoire
- Bac BLUE RIVER en plastique ABS PMMA couleur ivoire
- Raccord pour tuyau de vidange de condensat Ø 16
- Livré avec le kit anti-vibrations « NO-SHOCK » 2 durs + 2 souples
- Bases de sol caoutchouc vulcanisé SBR EXTRÊME avec boulon de fixation M8

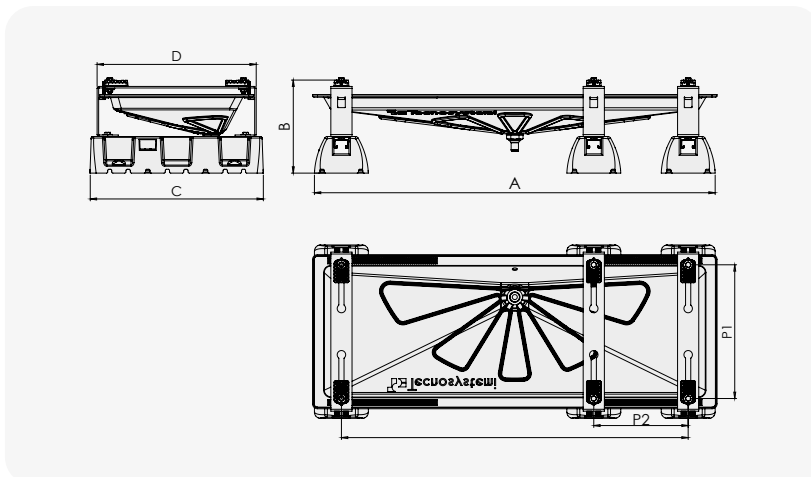
**BODENWANDKONSOLE INFINITY BLUE RIVER UND 3 SOCKEL EXTREME 100-8**

**TECHNISCHE EIGENSCHAFTEN**

- Elektroverzinkte Blechfüße
- Füße in Polyesterbeschichtung für den Außenbereich Elfenbeinfarbe
- BLUE RIVER WANNE aus elfenbeinfarbenem ABS-PMMA-Kunststoff
- Anschluss für Kondensatablauf Ø 16
- Komplett mit "NO-SHOCK" 2 Hard + 2 Soft Anti-Vibration Kit
- SBR EXTREME Bodensockel aus vulkanisiertem Gummi mit M8 Befestigungsschraube



Recommended for the heat pumps



CODE	DESCRIPTION	DIMENSIONS [mm]							LOAD CAPACITY [kg]	U.M.	Pieces per box
		A	B	C	D	P	P1	P2			
SCD500224	" INFINITY" FLOOR STAND WITH DRAIN PAN "BLUE RIVER - MEDIUM" + 3 pcs EXTREME 100-8	1050	240	450	410	1000 - 400	350 - 150	140 - 250	170	PCS	1
SCD500225	" INFINITY" FLOOR STAND WITH DRAIN PAN "BLUE RIVER - BIG" + 3 pcs EXTREME 100-8	1250	240	600	520	1100 - 600	450 - 250	140 - 400	200	PCS	1
SCD500330	FLOOR STAND "INFINITY" W/DRAIN PAN "BLUE RIVER 1250X500 + 3m CABLE + 3 FEET "EXTREME-8-100"	1250	240	600	520	1100 - 600	450 - 250	140 - 400	200	PCS	1

## FLOOR STAND

### TECHNICAL SPECIFICATIONS

- Made of galvanized metal sheet
- External polyester painting RAL 9002
- Equipped with adjustable legs for levelling
- Ready for fastening condensate drain pan
- Includes "NO-SHOCK" 2 Hard + 2 Soft anti-vibration kit
- High mechanical strength

## SUPPORT AU SOL

### CARACTÉRISTIQUES TECHNIQUES


- Fabriqué en tôle galvanisée
- Peinture polyester d'extérieur RAL 9002
- Équipé de pieds réglables pour une mise à niveau
- Prédéposé pour la fixation du Bac de collecte des condensats
- Livré avec le kit anti-vibrations « NO-SHOCK » 2 durs + 2 souples
- Résistance mécanique élevée


## BODENWANDKONSOLE

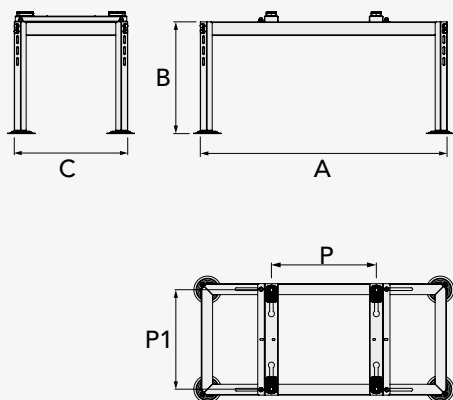
### TECHNISCHE EIGENSCHAFTEN

- Aus verzinktem Blech
- Polyesterbeschichtung für den Außenbereich RAL 9002
- Mit verstellbaren Beinen zum Nivellieren
- Vorbereitet für die Befestigung des Kondensatsammelbeckens
- Komplett mit "NO-SHOCK" 2 Hard + 2 Soft Anti-Vibration Kit
- Hohe mechanische Festigkeit



 On request in BLACK version

 On request in GREY version



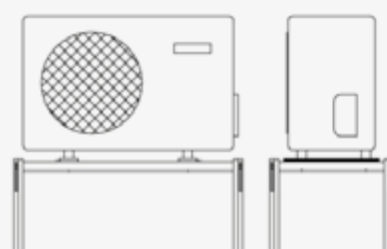
DIMENSIONS [mm]					
CODE	A	B	C	P	P1
SCD500002	900	410	415	325 ÷ 715	220 ÷ 360
SCD500003	945	410	488	325 ÷ 715	280 ÷ 435
SCD500004	1015	410	560	385 ÷ 780	310 ÷ 510
SCD500445	900	410	415	325 ÷ 715	220 ÷ 360
SCD500437	945	410	488	325 ÷ 715	280 ÷ 435
SCD500438	1015	410	560	385 ÷ 780	310 ÷ 510
SCD500272	900	410	415	325 ÷ 715	220 ÷ 360
SCD500273	945	410	488	325 ÷ 715	280 ÷ 435
SCD500274	1015	410	560	385 ÷ 780	310 ÷ 510

Compatible with our floor anti-vibration dampers with M8 screw - page 178/179

### EXAMPE OF INSTALLATION OF A "BLUE RIVER"



### EXAMPLE OF INSTALLATION OF AN OUTDOOR UNIT



### CHART TO SELECT THE EMPIRE FLOOR STAND SUITABLE FOR THE CONDENSATE DRAIN PANS

CODES	"BLUE RIVER" DRAIN PAN 850x400			"BLUE RIVER" DRAIN PAN 1050x400			"SMALL" CONDENSATE DRAIN PAN 820x340	"BIG" CONDENSATE DRAIN PAN 980x390		
	11100100F	SCD300078 SCD300068	SCD300079 SCD300069	11100101F	SCD300072 SCD300073	SCD300080 SCD300081	11100105	11100100	SCD300065	SCD300066
SCD500002	•	•	•				•			
SCD500003	•	•	•	•	•	•	•	•	•	•
SCD500004	•	•	•	•	•	•	•	•	•	•
SCD500445	•	•	•				•			
SCD500437	•	•	•	•	•	•	•	•	•	•
SCD500438	•	•	•	•	•	•	•	•	•	•
SCD500272	•	•	•				•			
SCD500273	•	•	•	•	•	•	•	•	•	•
SCD500274	•	•	•	•	•	•	•	•	•	•



On request in BLACK version



On request in GREY version

CODE	DESCRIPTION	COLOUR	LOAD CAPACITY [kg]	U.M.	Pieces per box
SCD500002	FLOOR STAND "EMPIRE EVO 440"	IVORY	100	PCS	1
SCD500003	FLOOR STAND "EMPIRE EVO 480"	IVORY	150	PCS	1
SCD500004	FLOOR STAND "EMPIRE EVO 550"	IVORY	200	PCS	1
<b>NEW</b> SCD500445	FLOOR STAND "EMPIRE EVO 440"	BLACK	100	PCS	1
<b>NEW</b> SCD500437	FLOOR STAND "EMPIRE EVO 480"	BLACK	150	PCS	1
<b>NEW</b> SCD500438	FLOOR STAND "EMPIRE EVO 550"	BLACK	200	PCS	1
<b>NEW</b> SCD500272	FLOOR STAND "EMPIRE EVO 440"	GREY	100	PCS	1
<b>NEW</b> SCD500273	FLOOR STAND "EMPIRE EVO 480"	GREY	150	PCS	1
SCD500274	FLOOR STAND "EMPIRE EVO 550"	GREY	200	PCS	1

Datasheet



## FLOOR STAND

### TECHNICAL SPECIFICATIONS

- Made of galvanized metal sheet
- External polyester painting RAL 9002
- Equipped with adjustable legs for levelling
- Ready for fastening condensate drain pan
- Includes "NO-SHOCK" 2 Hard + 2 Soft anti-vibration kit
- High mechanical strength

## SUPPORT AU SOL

### CARACTÉRISTIQUES TECHNIQUES

- Fabriqué en tôle galvanisée
- Peinture polyester d'extérieur RAL 9002
- Équipé de pieds réglables pour une mise à niveau
- Prédéposé pour la fixation du Bac de collecte des condensats
- Livré avec le kit anti-vibrations « NO-SHOCK » 2 durs + 2 souples
- Résistance mécanique élevée

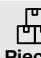
## BODENWANDKONSOLE

### TECHNISCHE EIGENSCHAFTEN

- Aus verzinktem Blech
- Polyesterbeschichtung für den Außenbereich RAL 9002
- Mit verstellbaren Beinen zum Nivellieren
- Vorbereitet für die Befestigung des Kondensatsammelbeckens
- Komplett mit "NO-SHOCK" 2 Hard + 2 Soft Anti-Vibration Kit
- Hohe mechanische Festigkeit



Compatible with "Blue river" drain pan 1250x500 (codes SCD300030 AND SCD300052)

CODE	DESCRIPTION	DIMENSIONS [mm]					LOAD CAPACITY [kg]	U.M.	 Pieces per box
		A	B	C	P	P1			
SCD500453	FLOOR STAND EMPIRE EVO L1300xP600 - IVORY	1300	410	600	765 - 1150	310 - 560	200	PCS	1
SCD500454	FLOOR STAND EMPIRE EVO L1300xP600 - GREY	1300	410	600	765 - 1150	310 - 560	200	PCS	1

Datasheet



## FLOOR BRACKET CROSSBAR KIT "EMPIRE" AND "MERCURY EVO"


## KIT DE BARRES TRANSVERSALES DE SUPPORT AU SOL "EMPIRE" ET "MERCURY EVO"

## QUERBALKEN-SET BODENWANDKONSOLE "EMPIRE" UND "MERCURY EVO"



WITH ANTIVIBRATION NO-SHOCK "HARD" MODEL

MADE IN ITALY

CODE	DESCRIPTION	U.M.	 Pieces per box
SCD500150	FLOOR BRACKET SINGLE CROSSBAR KIT "EMPIRE" E "MERCURY EVO"-IVORY 440	KIT	1
SCD500151	FLOOR BRACKET SINGLE CROSSBAR KIT "EMPIRE" E "MERCURY EVO"-IVORY 480	KIT	1
SCD500152	FLOOR BRACKET SINGLE CROSSBAR KIT "EMPIRE" E "MERCURY EVO"-IVORY 550	KIT	1
NEW SCD500457	FLOOR BRACKET SINGLE CROSSBAR KIT "EMPIRE" E "MERCURY EVO"-BLACK 440	KIT	1
NEW SCD500458	FLOOR BRACKET SINGLE CROSSBAR KIT "EMPIRE" E "MERCURY EVO"-BLACK 480	KIT	1
NEW SCD500459	FLOOR BRACKET SINGLE CROSSBAR KIT "EMPIRE" E "MERCURY EVO"-BLACK 550	KIT	1
NEW SCD500460	FLOOR BRACKET SINGLE CROSSBAR KIT "EMPIRE" E "MERCURY EVO"-GREY 440	KIT	1
NEW SCD500461	FLOOR BRACKET SINGLE CROSSBAR KIT "EMPIRE" E "MERCURY EVO"-GREY 480	KIT	1
NEW SCD500462	FLOOR BRACKET SINGLE CROSSBAR KIT "EMPIRE" E "MERCURY EVO"-GREY 550	KIT	1
NEW SCD500455	FLOOR BRACKET SINGLE CROSSBAR KIT "EMPIRE" E "MERCURY EVO"-IVORY 600	KIT	1
NEW SCD500456	FLOOR BRACKET SINGLE CROSSBAR KIT "EMPIRE" E "MERCURY EVO"-GREY 600	KIT	1

Datasheet





## FLOOR STAND

### TECHNICAL SPECIFICATIONS

- Made of galvanized metal sheet
- External polyester painting RAL 9002
- Equipped with adjustable legs for levelling
- Ready for fastening condensate drain pan
- Includes "NO-SHOCK" 2 Hard + 2 Soft anti-vibration kit
- High mechanical strength

## SUPPORT AU SOL

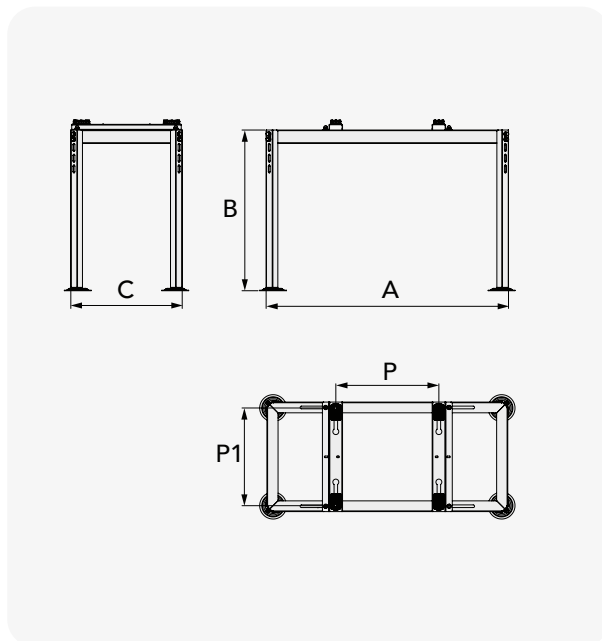
### CARACTÉRISTIQUES TECHNIQUES

- Fabriqué en tôle galvanisée
- Peinture polyester d'extérieur RAL 9002
- Équipé de pieds réglables pour une mise à niveau
- Prédéposé pour la fixation du Bac de collecte des condensats
- Livré avec le kit anti-vibrations « NO-SHOCK » 2 durs + 2 souples
- Résistance mécanique élevée

## BODENWANDKONSOLE

### TECHNISCHE EIGENSCHAFTEN


- Aus verzinktem Blech
- Polyesterbeschichtung für den Außenbereich RAL 9002
- Mit verstellbaren Beinen zum Nivellieren
- Vorbereitet für die Befestigung des Kondensatsammelbeckens
- Komplett mit "NO-SHOCK" 2 Hard + 2 Soft Anti-Vibration Kit
- Hohe mechanische Festigkeit



Compatible with our floor anti-vibration dampers with M8 screw - page 178/179

## CHART TO SELECT THE EMPIRE FLOOR STAND SUITABLE FOR THE CONDENSATE DRAIN PANS

CODES	"BLUE RIVER" DRAIN PAN 850x400			"BLUE RIVER" DRAIN PAN 1050x400			"SMALL" CONDENSATE DRAIN PAN 820x340	"BIG" CONDENSATE DRAIN PAN 980x390		
	11100100F	SCD300078 SCD300068	SCD300079 SCD300069	11100101F	SCD300072 SCD300073	SCD300080 SCD300081	11100105	11100100	SCD300065	SCD300066
SCD500025	•	•	•				•			
SCD500026	•	•	•	•	•	•	•	•	•	•
SCD500027	•	•	•	•	•	•	•	•	•	•

CODE	DESCRIPTION	DIMENSIONS [mm]					LOAD CAPACITY [kg]	U.M.	 Pieces per box
		A	B	C	P	P1			
SCD500025	FLOOR STAND "MERCURY 440"	900	600	415	325 ÷ 715	220 - 360	100	PCS	1
SCD500026	FLOOR STAND "MERCURY 480"	945	600	485	325 ÷ 715	280 - 435	150	PCS	1
SCD500027	FLOOR STAND "MERCURY 550"	1015	600	560	385 ÷ 780	310 - 510	200	PCS	1

[Datasheet](#)



## FLOOR STAND

### TECHNICAL SPECIFICATIONS

- Made of galvanized metal sheet
- External polyester painting RAL 9002
- Equipped with adjustable legs for levelling
- Ready for fastening condensate drain pan
- Ready for crosspiece kit for fastening second outdoor unit
- Includes "NO-SHOCK" 2 Hard + 2 Soft anti-vibration kit
- High mechanical strength

## SUPPORT AU SOL

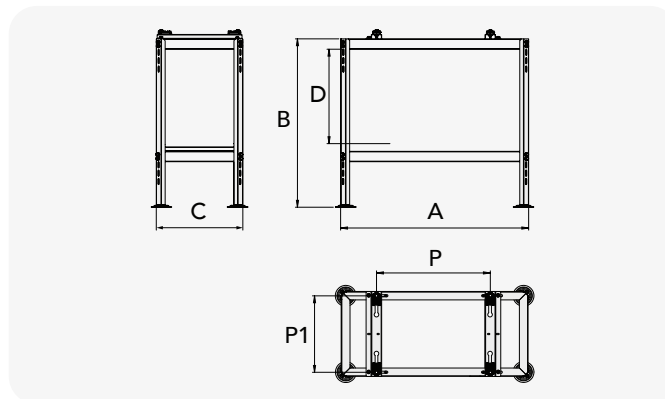
### CARACTÉRISTIQUES TECHNIQUES

- Fabriqué en tôle galvanisée
- Peinture polyester d'extérieur RAL 9002
- Équipé de pieds réglables pour une mise à niveau
- Prédéposé pour la fixation du Bac de collecte des condensats
- Prédéposé pour les kits de barres transversales pour la fixation de la deuxième unité extérieure
- Livré avec le kit anti-vibrations « NO-SHOCK » 2 durs + 2 souples
- Résistance mécanique élevée

## BODENWANDKONSOLE

### TECHNISCHE EIGENSCHAFTEN


- Aus verzinktem Blech
- Polyesterbeschichtung für den Außenbereich RAL 9002
- Mit verstellbaren Beinen zum Nivellieren
- Vorbereitet für die Befestigung des Kondensatsammelbeckens
- Vorbereitet für Traversensätze zur Sicherung der zweiten Außeneinheit
- Komplet mit "NO-SHOCK" 2 Hard + 2 Soft Anti-Vibration Kit
- Hohe mechanische Festigkeit



Compatible with our floor anti-vibration dampers with M8 screw - page 178/179

### CHART TO SELECT THE EMPIRE FLOOR STAND SUITABLE FOR THE CONDENSATE DRAIN PANS

CODES	"BLUE RIVER" DRAIN PAN 850x400			"BLUE RIVER" DRAIN PAN 1050x400			"SMALL" CONDENSATE DRAIN PAN 820x340	"BIG" CONDENSATE DRAIN PAN 980x390		
	11100100F	SCD300078 SCD300068	SCD300079 SCD300069	11100101F	SCD300072 SCD300073	SCD300080 SCD300081	11100105	11100100	SCD300065	SCD300066
SCD500005	•	•	•	•	•	•	•	•	•	•
SCD500006	•	•	•	•	•	•	•	•	•	•
SCD500007	•	•	•	•	•	•	•	•	•	•

CODE	DESCRIPTION	DIMENSIONS [mm]						LOAD CAPACITY [kg]	U.M.	 Pieces per box
		A	B	C	P	P1	D			
SCD500005	FLOOR STAND "FREEDOM EVO 440"	900	810	415	325 ÷ 715	220 ÷ 360	471 ÷ 590	100	PCS	1
SCD500006	FLOOR STAND "FREEDOM EVO 480"	945	810	485	325 ÷ 715	280 ÷ 435	471 ÷ 590	150	PCS	1
SCD500007	FLOOR STAND "FREEDOM EVO 550"	1015	810	560	385 ÷ 780	310 ÷ 510	471 ÷ 590	200	PCS	1




## FLOOR BRACKET CROSSBAR KIT

## KIT DE BARRES TRANSVERSALES DE SUPPORT AU SOL

## QUERBALKEN-SET BODENWANDKONSOLE



See freedom evo floor-standing bracket for technical characteristics we recommend using on air conditioning units with a maximum height of 580mm

CODE	DESCRIPTION	U.M.	 Pieces per box
SCD500028	CROSS BAR KIT FOR 2' UNIT - FOR FREEDOM EVO 440	KIT	1
SCD500029	CROSS BAR KIT FOR 2' UNIT - FOR FREEDOM EVO 480	KIT	1
SCD500030	CROSS BAR KIT FOR 2' UNIT - FOR FREEDOM EVO 550	KIT	1



## TELESCOPIC FLOOR WALL BRACKET

### TECHNICAL SPECIFICATIONS

- Made of galvanized metal sheet
- External polyester painting RAL 9002
- "NO-SHOCK" sliding vibration dampers supplied
- Adjustable floor anti-vibration feet
- Ready for fastening "Blue River" condensate drain pan

## SUPPORT AU SOL TÉLESCOPIQUE SPT2

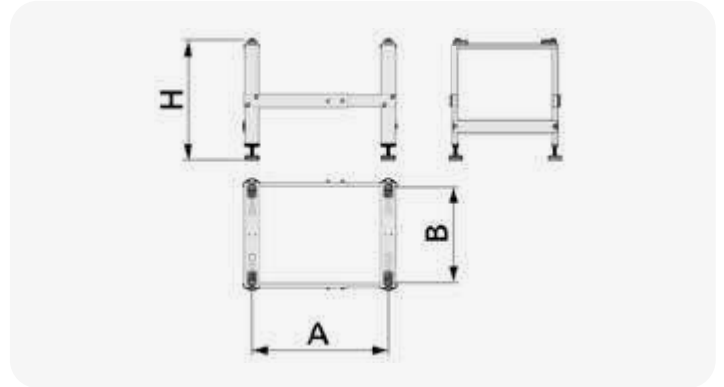
### CARACTÉRISTIQUES TECHNIQUES

- Fabriqué en tôle galvanisée
- Peinture polyester d'extérieur RAL 9002
- Plots anti-vibrations coulissants « NO-SHOCK » fournis
- Pieds de sol anti-vibrations réglables
- Prédéposé pour la réparation du Bac collecteur de condensats "Blue River"

## TELESKOPI BODENKONSOLE

### TECHNISCHE EIGENSCHAFTEN

- Aus verzinktem Blech
- Polyesterbeschichtung für den Außenbereich RAL 9002
- "NO-SHOCK" gleitende Schwingungsdämpfer im Lieferumfang enthalten
- Verstellbare, vibrationsfreie Bodenfüße
- Vorbereitet für die Befestigung des "Blue River" Kondensatsammelbeckens



CODE	DESCRIPTION	DIMENSIONS [mm]			LOAD CAPACITY [kg]	U.M.	Pieces per box
		A	H	B			
SCD500050	"SPT2" MINI-CHILLER TELESCOPIC FLOOR STAND H450	585 - 750	500	210 - 400	150	PCS	1
SCD500051	"SPT2" MINI-CHILLER TELESCOPIC FLOOR STAND H250	585 - 750	300	210 - 400	150	PCS	1

Datasheet



# MINI-CHILLER SPT3

## TELESCOPIC FLOOR STAND MINI-CHILLER

### TECHNICAL SPECIFICATIONS

- Made of galvanized metal sheet
- External polyester painting RAL 9002
- "NO-SHOCK" sliding vibration dampers supplied
- Adjustable floor anti-vibration feet
- Ready for fastening "Blue River" condensate drain pan

## SUPPORT AU PLANCHER TÉLESCOPIQUE MINI-CHILLER

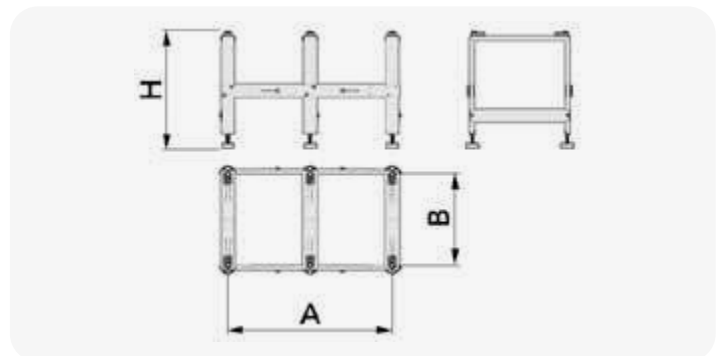
### CARACTÉRISTIQUES TECHNIQUES

- Fabriqué en tôle galvanisée
- Peinture polyester d'extérieur RAL 9002
- Plots anti-vibrations coulissants « NO-SHOCK » fournis
- Pieds de sol anti-vibrations réglables
- Prédéposé pour la réparation du Bac collecteur de condensats "Blue River"

## TELESKOPI BODENWANDKONSOLE MINI-CHILLER

### TECHNISCHE EIGENSCHAFTEN

- Aus verzinktem Blech
- Polyesterbeschichtung für den Außenbereich RAL 9002
- "NO-SHOCK" gleitende Schwingungsdämpfer im Lieferumfang enthalten
- Verstellbare, vibrationsfreie Bodenfüße
- Vorbereitet für die Befestigung des "Blue River" Kondensatsammelbeckens



CODE	DESCRIPTION	DIMENSIONS [mm]			LOAD CAPACITY [kg]	U.M.	Pieces per box
		A	H	B			
SCD500047	"SPT3" MINI-CHILLER TELESCOPIC FLOOR STAND H450	740 - 940	500	210 - 400	150	PCS	1
SCD500049	"SPT3" MINI-CHILLER TELESCOPIC FLOOR STAND H250	740 - 940	300	210 - 400	150	PCS	1

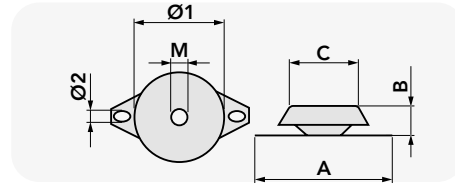
Datasheet



**FLOOR VIBRATION-DAMPING FOR OUTDOOR UNIT**

**AMORTISSEUR DE VIBRATIONS AU SOL POUR UNITÉ EXTÉRIEURE**

**BODENSCHWINGUNGSDÄMPFER FÜR AUSSEINEINHEIT**



[Datasheet](#)

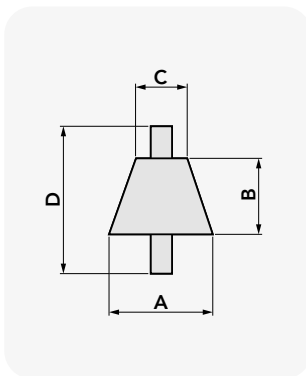


CODE SET	DESCRIPTION	DIMENSIONS [mm]						LOAD CAPACITY [kg]	U.M.	Pieces per box
		A	B	C	M	Ø1	Ø2			
11100078	ANTI-VIBRATION MOUNTS T5	106	30	40	M10	60	8	175 /1 pcs.	PCS	4

**VIBRATION-DAMPING FOR OUTDOOR UNIT WALL BRACKET**

**AMORTISSEUR POUR SUPPORT AU MUR DE L'UNITÉ EXTÉRIEURE**

**SCHWINGUNGSDÄMPFER FÜR WANDKONSOLE DER AUSSEINEINHEIT**



[Datasheet](#)

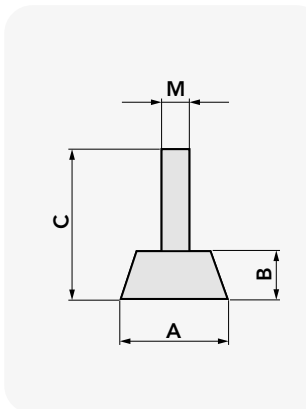


CODE SET	DESCRIPTION	DIMENSIONS [mm]					LOAD CAPACITY [kg]	U.M.	Pieces per box
		A	B	C	D	Ø			
11100072	ANTI-VIBRATION MOUNTS S3	40	26	30	65	M8	60	PCS	4
11100073	ANTI-VIBRATION MOUNTS S4	50	35	40	74	M8	70	PCS	4

**ANTI-VIBRATION RUBBER FLOOR FOR OUTDOOR UNIT**

**ANTIVIBRATOIRE AU SOL EN CAOUTCHOUC POUR UNITÉ EXTÉRIEURE**

**GUMMIBODEN-SCHWINGUNGSDÄMPFER FÜR DAS AUSSENGERÄT**



[Datasheet](#)

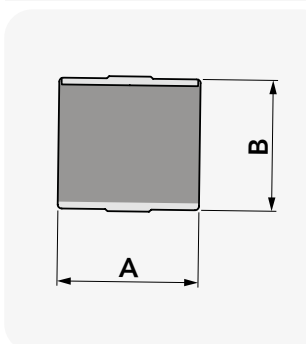


CODE SET	DESCRIPTION	DIMENSIONS [mm]				LOAD CAPACITY [kg]	U.M.	Pieces per box
		A	B	C	M			
11100074	ANTI-VIBRATION MOUNTS T1	48	19	60	M8	45 kg	PCS	4
11100075	ANTI-VIBRATION MOUNTS T2	56	21	90	M10	150 kg	PCS	4
11100076	ANTI-VIBRATION MOUNTS T3	74	26	104	M12	350 kg	PCS	4

**SOFT PVC VIBRATION DAMPER FOR OUTDOOR UNIT BRACKET**

**ANTIVIBRATOIRE EN PVC SOUPLE POUR SUPPORT D'UNITÉ EXTERNE**

**SCHWINGUNGSDÄMPFER AUS WEICHEM PVC FÜR AUSSEINEINHEIT**



[Datasheet](#)

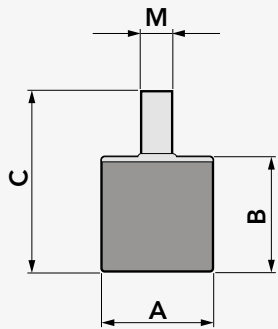


CODE SET	DESCRIPTION	DIMENSIONS [mm]		LOAD CAPACITY [kg]	U.M.	Pieces per box
		A	B			
11100067	ANTI-VIBRATION MOUNTS S1	33	20	40 /1 pcs.	PCS	4

 **NATURAL RUBBER FLOOR VIBRATION DAMPER FOR OUTDOOR UNIT BRACKET**

 **ANTIVIBRATOIRE AU SOL EN CAOUTCHOUC NATUREL POUR SUPPORT D'UNITÉ EXTERNE**

 **SCHWINGUNGSDÄMPFER AUS NATURGUMMI FÜR AUSSENWANDKONSOLE**



[Datasheet](#)



CODE SET	DESCRIPTION	DIMENSIONS [mm]				LOAD CAPACITY [kg]	U.M.	Pieces per box
		A	B	C	M			
SCC500026	ANTI-VIBRATION MOUNT "T40"	40	40	63	M8	80	PCS	4
SCC500027	ANTI-VIBRATION MOUNT "T50"	50	50	80	M10	100	PCS	4
SCC500028	ANTI-VIBRATION MOUNT "T60"	60	60	100	M10	120	PCS	4
SCC500029	ANTI-VIBRATION MOUNT "T70"	70	70	110	M10	140	PCS	4

 **ANTI-VIBRATION FOR RUBBER BRACKET EXTERNAL UNIT**

 **ANTIVIBRATOIRE POUR SUPPORT EN CAOUTCHOUC UNITÉ EXTERIEURE**

 **SCHWINGUNGSDÄMPFER FÜR GUMMIWANDKONSOLE AUSSENEINHEIT**

**TECHNICAL SPECIFICATIONS**

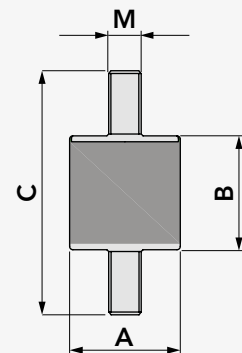
- Made of anti-UVA vulcanised natural rubber
- Available in a minimum pack of 4 pieces
- Includes fixing bolts, washer and nuts

**CARACTÉRISTIQUES TECHNIQUES**

- Fabriqué en caoutchouc naturel vulcanisé anti-UVA
- Disponible en un emballage minimum de 4 pièces
- Avec boulons de fixation, rondelle et écrous

**TECHNISCHE EIGENSCHAFTEN**

- Aus vulkanisiertem UVA-geschütztem Naturgummi
- Erhältlich in einer Packung mit mindestens 4 Stück
- Komplett mit Befestigungsschrauben, Unterlegscheibe und Muttern



CODE SET	DESCRIPTION	DIMENSIONS [mm]				LOAD CAPACITY [kg/1pcs]	U.M.	Pieces per box
		A	B	C	M			
SCC500018	ANTI-VIBRATION FOR BRACKETS - S30	30	20	60	M8	70	PCS	4
SCC500019	ANTI-VIBRATION FOR BRACKETS - S40	40	30	70	M8	120	PCS	4
SCC500020	ANTI-VIBRATION FOR BRACKETS - S50	50	40	95	M10	140	PCS	4
SCC500021	ANTI-VIBRATION FOR BRACKETS - S60	60	50	125	M10	160	PCS	4
SCC500022	ANTI-VIBRATION FOR BRACKETS - S70	70	60	135	M10	180	PCS	4
SCC500023	ANTI-VIBRATION FOR BRACKETS - S80	80	60	155	M12	220	PCS	4
SCC500024	ANTI-VIBRATION FOR BRACKETS - S100	100	80	175	M16	220	PCS	4
SCC500025	ANTI-VIBRATION FOR BRACKETS - S125	125	80	195	M18	240	PCS	4

[Datasheet](#)





**SPRING-LOADED VIBRATION-DAMPING FOR SUSPENDED SYSTEMS**

**TECHNICAL SPECIFICATIONS**

- Steel compression spring mounted on rubber washer with anti-vibration damper on top
- Reduces acoustic bridging in ceiling-mounted machine installations
- Suitable for mounting ducted units, heat recovery unit and circular air ducts
- Pack in a set of 4 pcs.

**AMORTISSEUR DE VIBRATIONS À RESSORT POUR SYSTÈMES SUSPENDUS**

**CARACTÉRISTIQUES TECHNIQUES**

- Ressort de compression en acier monté sur une rondelle en caoutchouc avec anti-vibration sur le dessus
- Réduit la formation de ponts acoustiques dans les installations de machines de plafond
- Convient pour le montage d'unités à conduits, d'unités de récupération de chaleur et de conduits circulaires
- Emballage en jeu de 4 pièces.

**FEDERBELASTETE SCHWINGUNGSDÄMPFER FÜR AUFGEHÄNGTE SYSTEME**

**TECHNISCHE EIGENSCHAFTEN**

- Stahldruckfeder auf Gummischeibe mit Schwingungsdämpfer auf der Oberseite montiert
- Verringert Schallbrücken in an der Decke montierten Maschinenanlagen
- Geeignet für die Montage von Kanaleinheiten, Wärmerückgewinnungseinheiten und kreisförmigen Kanälen
- Set mit 4 Stück.



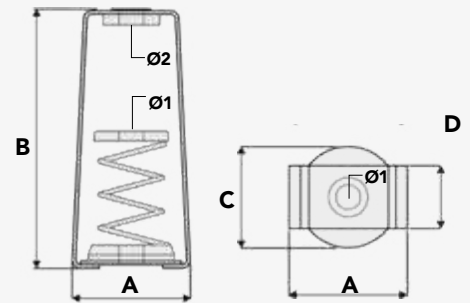
**SCC500035  
25 KG**



**SCC500033  
50 KG**



**SCC500034  
75 KG**



CODE SET	DESCRIPTION	DIMENSIONS [mm]						LOAD CAPACITY [kg]	U.M.	Pieces per box
		A	B	C	D	Ø1	Ø2			
SCC500035	ANTI-VIBRATION SPRING FOR SUSPENDED UNITS - 25 KG	80	120	60	50	M8	12	25	PCS	4
SCC500033	ANTI-VIBRATION SPRING FOR SUSPENDED UNITS - 50 KG	80	120	60	50	M8	12	50	PCS	4
SCC500034	ANTI-VIBRATION SPRING FOR SUSPENDED UNITS - 75 KG	80	120	60	50	M8	12	75	PCS	4

[Datasheet](#)



**SPRING-LOADED VIBRATION-DAMPING FOR OUTDOOR UNIT WALL BRACKET**

**TECHNICAL SPECIFICATIONS**

- Made of galvanised steel
- Fixing screw not through
- Pack contains 2 Soft and 2 Hard vibration dampers including fastening bolts, washer and nuts

**AMORTISSEUR DE VIBRATIONS À RESSORT POUR SUPPORT AU MUR DE L'UNITÉ EXTÉRIEURE**

**CARACTÉRISTIQUES TECHNIQUES**

- Fabriqué en acier galvanisé
- Vis de fixation non traversante
- L'emballage contient 2 amortisseurs de vibrations souples et 2 amortisseurs de vibrations durs avec boulons de fixation, rondelle et écrous

**FEDERBELASTETE SCHWINGUNGSDÄMPFER FÜR WANDKONSOLE DER AUSSEN-EINHEIT**

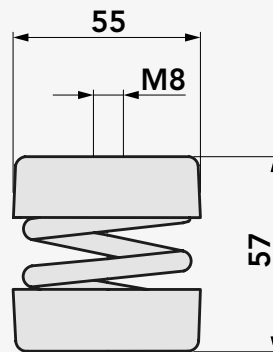
**TECHNISCHE EIGENSCHAFTEN**

- Aus verzinktem Stahl
- Befestigungsschraube nicht durchgehend
- Die Packung enthält 2 weiche und 2 harte Schwingungsdämpfer, komplett mit Befestigungsschrauben, Unterlegscheiben und Muttern

**HARD**



**SOFT**



CODE SET	DESCRIPTION	LOAD CAPACITY SOFT [kg]	LOAD CAPACITY HARD [kg]	U.M.	Pieces per box
11000070	SPRING DAMPER IN GALVANIZED STEEL - 55X57H (4 PCS)	23 / 1 pcs.	35 / 1 pcs.	KIT	1

[Datasheet](#)



**SPRING-LOADED VIBRATION-DAMPING FOR OUTDOOR UNIT WALL BRACKET WITH RUBBER CAP**

**TECHNICAL SPECIFICATIONS**

- Spring made of steel
- Vulcanised natural rubber hood
- Through fixing screw
- The pack contains 4 pcs. including fixing bolts, washer and nuts

**AMORTISSEUR DE VIBRATIONS À RESSORT POUR SUPPORT AU MUR DE L'UNITÉ EXTÉRIEURE AVEC CAPUCHON EN CAOUTCHOUC**

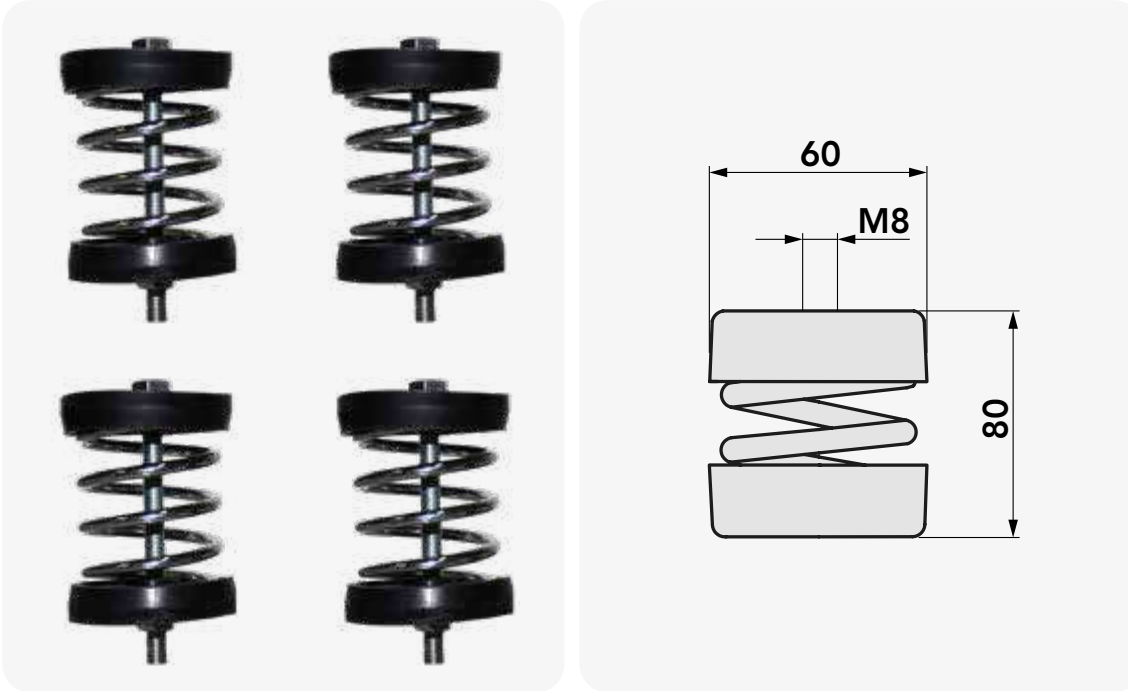
**CARACTÉRISTIQUES TECHNIQUES**

- Ressort en acier
- Capuche en caoutchouc naturel vulcanisé
- Vis de fixation traversante
- Le kit contient 4 pièces avec boulons de fixation, rondelle et écrous

**FEDERBELASTETE SCHWINGUNGSDÄMPFER FÜR EINE WANDKONSOLE EINER AUSSENEINHEIT MIT GUMMIKAPPE**

**TECHNISCHE EIGENSCHAFTEN**

- Feder aus Stahl
- Haube aus vulkanisiertem Naturgummi
- Durchgehende Befestigungsschraube
- Die Packung enthält 4 Stück komplett mit Befestigungsschrauben, Unterlegscheibe und Muttern



[Datasheet](#)

CODE SET	DESCRIPTION	LOAD CAPACITY [kg]	U.M.	 Pieces per box
SCC500012	ANTI-VIBRATION SPRING DAMPER WITH RUBBER CAP Ø 60 x 80h	25 kg / 1 pc.	PCS	4




**VIBRATION-DAMPING IN NATURAL VULCANISED RUBBER**

**AMORTISSEUR DE VIBRATIONS EN CAOUTCHOUC NATUREL VULCANISÉ**

**SCHWINGUNGSDÄMPFER AUS VULKANISIERTEM NATURGUMMI**



[Datasheet](#)

CODE	DESCRIPTION	DIMENSIONS [mm]			LOAD CAPACITY [kg]	U.M.	 Pieces per box
		L	H	P			
11105090	FLOOR SUPPORT IN NATURAL VULCANIZED RUBBER	68	7	50	50 / 1 pcs.	PCS	4



# SUELO BASES BY TECNOSYSTEMI

THE IDEAL BASE FOR ENSURING THE STABILITY, SAFETY AND DURABILITY OF YOUR INSTALLATIONS, WITH HIGH-QUALITY, INNOVATIVE SOLUTIONS.

When having the ensure stability and safety for your installations, it is fundamental to choose the right base. The Tecnosystemi SUELO MAXI and MINI bases are the ideal solution: a strong, reliable base designed to safely support outdoor units, HVAC systems, air conditioners and other applications.

Made from high-quality materials with pioneering technologies, SUELO is weatherproof, durable and easy to install, even in complex situations. Its versatility makes it suited to different types of units, guaranteeing excellent stability and reducing the risks of vibrations or damage to nearby structures.



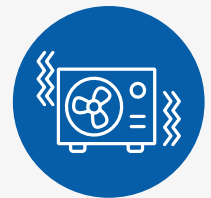
**Shockproof**



**Anti-UVA**



**High-resistance**



**Reduce the risk of vibrations in the outdoor unit**



**Top-Class Design**

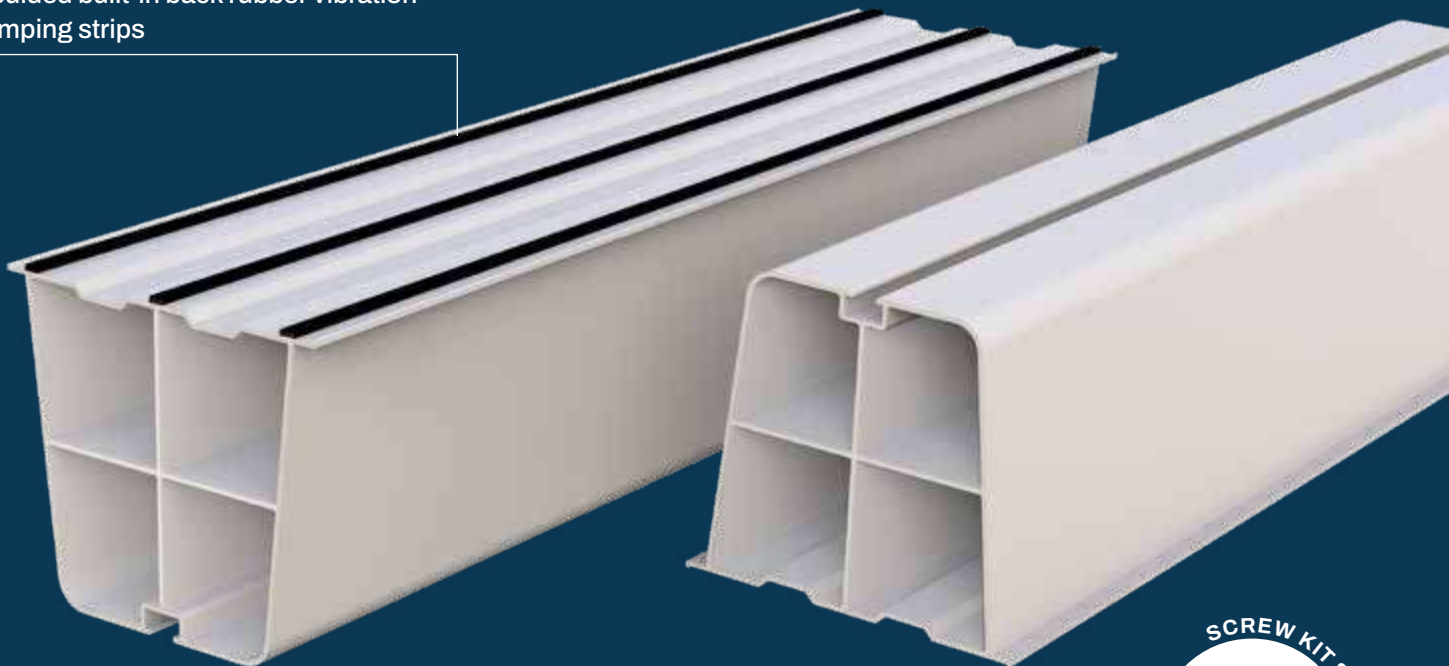


**Made in PVC**



**From 140 to 400 Kg**

Moulded built-in back rubber vibration damping strips



# SUELO MAXI

MADE IN ITALY



## 🇬🇧 FLOOR BASE PAIR WITH VIBRATION-DAMPER

### TECHNICAL SPECIFICATIONS

- Stiff anti-UVA, shockproof PVC
- Rubber support base
- Ivory or black colour
- Sizes 350 - 450 - 600 - 1000 mm
- Screws supplied M8
- Pack of 2 pieces supplied with screws and shrink-wrapped

## 🇫🇷 PAIRE BASE AU SOL AVEC ANTI-VIBRATION SUELO MAXI

### CARACTÉRISTIQUES TECHNIQUES

- PVC rigide anti-UVA, résistant aux chocs
- Base de support en caoutchouc
- Couleur ivoire ou noire
- Tailles 350 - 450 - 600 - 1000 mm
- Vis fournies M8
- Emballage en paire de 2 pièces avec vis fournies et sous film rétractable

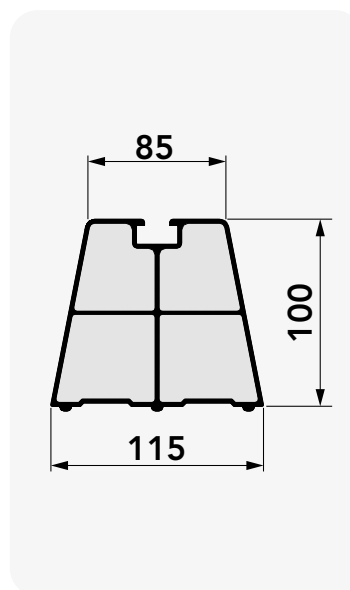
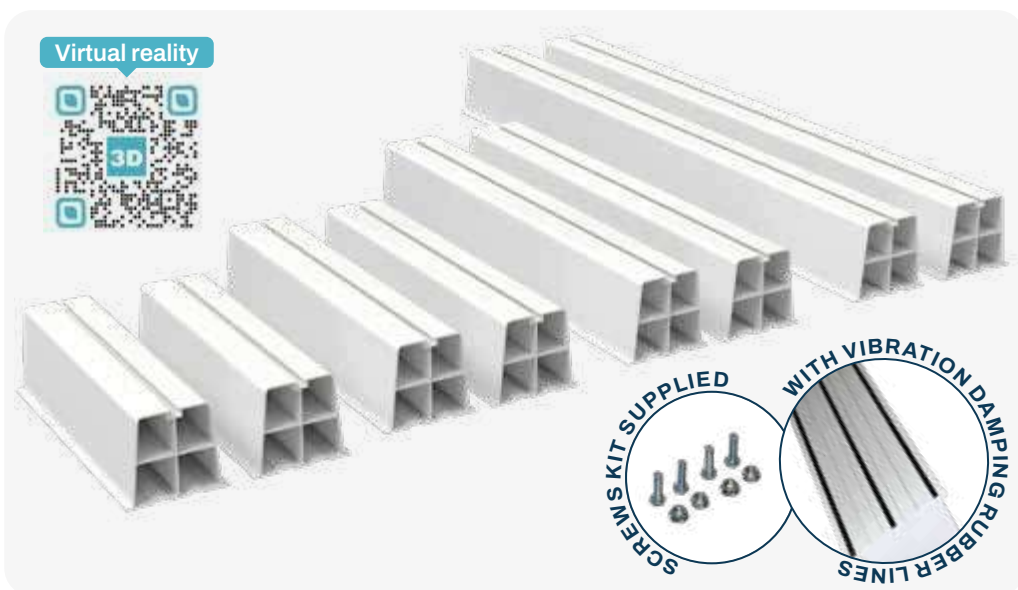
## 🇩🇪 PAAR BODENSOCKEL MIT SCHWINGUNGSDÄMPFER

### TECHNISCHE EIGENSCHAFTEN

- Starres, stoßfestes und UVA-geschütztes PVC
- Gummiauflage
- Farbe Elfenbein oder Schwarz
- Größen 350 - 450 - 600 - 1000 mm
- Mitgelieferte Schrauben M8
- Eingeschrumpfte 2er-Packung mit mitgelieferten Schrauben

With vibration damping rubber lines on the lower side

Available in a practical box



CODE	DESCRIPTION	COLOUR	LOAD CAPACITY [kg/1 pcs]	U.M.	Pieces per box
11105011	"SUELO MAXI - 350" FLOOR MOUNTING BLOCKS (1 COUPLE) - IVORY	IVORY	140	COUPLE	10
11105021	"SUELO MAXI - 450" FLOOR MOUNTING BLOCKS (1 COUPLE) - IVORY	IVORY	180	COUPLE	10
SCD500184	"SUELO MAXI - 600" FLOOR MOUNTING BLOCKS (1 COUPLE) - IVORY	IVORY	240	COUPLE	10
11105030	"SUELO MAXI - 1000" FLOOR MOUNTING BLOCKS (1 COUPLE) - IVORY	IVORY	400	COUPLE	10

Datasheet



# SUELO MAXI

MADE IN ITALY



## 🇬🇧 CLOSING CAP

## 🇫🇷 BOUCHON DE FERMETURE

## 🇩🇪 VERSCHLUSSKAPPE



CODE	DESCRIPTION	U.M.	Pieces per box
11105001	END CAPS "SUELO MAXI" IVORY	PCS	20

Datasheet



# SUELO MAXI ECO

MADE IN ITALY



## UK FLOOR BASE PAIR WITH VIBRATION-DAMPER

### TECHNICAL SPECIFICATIONS

- Stiff anti-UVA, shockproof PVC
- Rubber support base
- Black colour
- Sizes 350 - 450 - 600 - 1000
- Screws supplied M8
- Pack of 2 pcs.
- Pack of 2 pcs. supplied with screws and shrink-wrapped

## FR PAIRE BASE AU SOL AVEC ANTI-VIBRATION SUELO MAXI

### CARACTÉRISTIQUES TECHNIQUES

- PVC rigide anti-UVA, résistant aux chocs
- Base de support en caoutchouc
- Couleur noire
- Tailles 350 - 450 - 600 - 1000
- Vis fournies M8
- Emballage en paire de 2 pièces.
- Emballage de 2 pièces avec vis fournies et emballé sous film rétractable

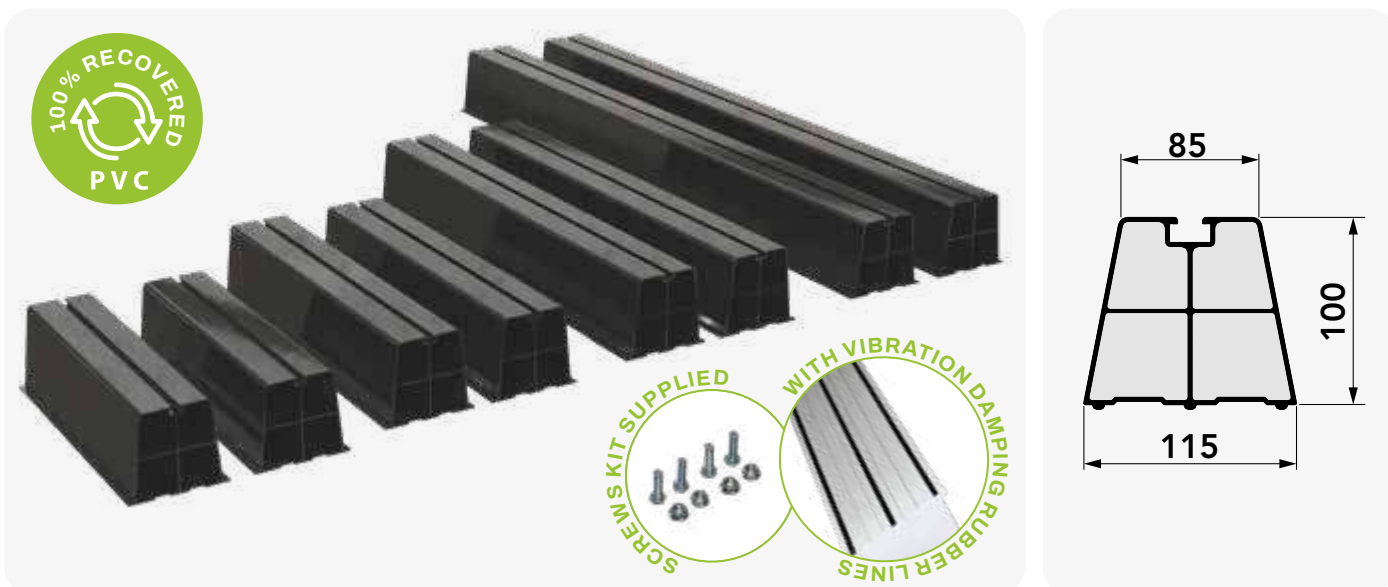
## DE PAAR BODENSOCKEL MIT SCHWINGUNGSDÄMPFER

### TECHNISCHE EIGENSCHAFTEN

- Starres, stoßfestes und UVA-geschütztes PVC
- Gummiauflage
- Schwarz
- Größen 350 - 450 - 600 - 1000
- Mitgelieferte Schrauben M8
- Packung gepaart mit 2 Stück.
- Eingeschrumpfte 2er-Packung mit mitgelieferten Schrauben

With vibration damping rubber lines on the lower side

Available in a practical box



CODE	DESCRIPTION	COLOUR	LOAD CAPACITY [kg/1 pcs]	U.M.	Pieces per box
SCD5E0001	"SUELO MAXI ECO - 350-E" FLOOR MOUNTING BLOCKS - BLACK	BLACK	140	COUPLE	1
SCD5E0002	"SUELO MAXI ECO - 450-E" FLOOR MOUNTING BLOCKS - BLACK	BLACK	180	COUPLE	1
SCD5E0010	"SUELO MAXI ECO - 600-E" FLOOR MOUNTING BLOCKS - BLACK	BLACK	240	COUPLE	1
SCD5E0003	"SUELO MAXI ECO - 1000-E" FLOOR MOUNTING BLOCKS - BLACK	BLACK	400	COUPLE	1

[Datasheet](#)



# SUELO MAXI ECO

MADE IN ITALY



## UK CLOSING CAP

## FR BOUCHON DE FERMETURE

## DE VERSCHLUSSKAPPE



CODE	DESCRIPTION	U.M.	Pieces per box
SCD5E0004	END CAPS "SUELO MAXI ECO" BLACK	PCS	20

[Datasheet](#)





# SUELO MINI

MADE IN ITALY



## FLOOR BASE WITH VIBRATION DAMPING

### TECHNICAL SPECIFICATIONS

- Stiff anti-UVA, shockproof PVC
- Ivory or black colour
- Screws supplied M8
- Rubber support base
- Sizes 330 - 400 - 470 - 1000 mm

## BASE AU SOL AVEC ANTI-VIBRATION

### CARACTÉRISTIQUES TECHNIQUES

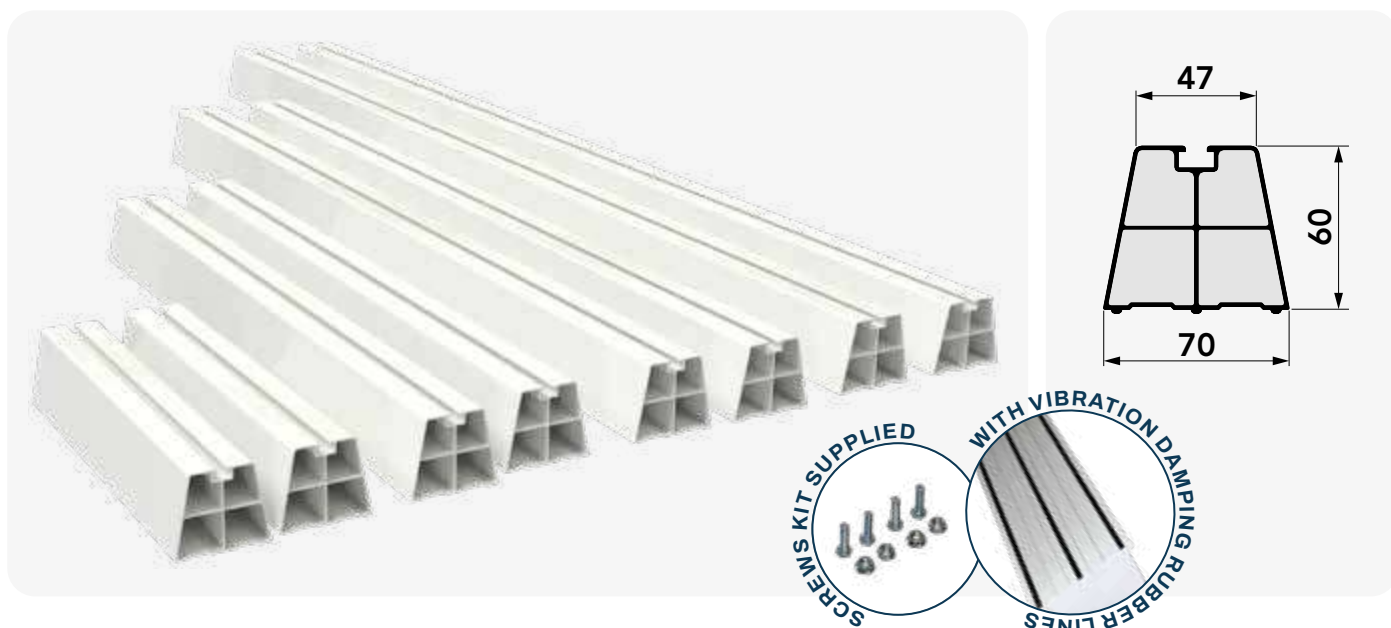
- PVC rigide anti-UVA, résistant aux chocs
- Couleur ivoire ou noire
- Vis fournies M8
- Base de support en caoutchouc
- Tailles 330 - 400 - 470 - 1000 mm

## SCHWINGUNGSDÄMPFENDER BODENSOCKEL

### TECHNISCHE EIGENSCHAFTEN

- Starres, stoßfestes und UVA-geschütztes PVC
- Farbe Elfenbein oder Schwarz
- Mitgelieferte Schrauben M8
- Gummiauflage
- Größen 330 - 400 - 470 - 1000 mm

With vibration damping rubber lines on the lower side



CODE	DESCRIPTION	LOAD CAPACITY [kg/1 pcs]	U.M.	Pieces per box
SCD500286	FLOOR MOUNTING BLOCK 330 "SUELO MINI" - IVORY	90	COUPLE	5
SCD500287	FLOOR MOUNTING BLOCK 400 "SUELO MINI" - IVORY	130	COUPLE	5
SCD500288	FLOOR MOUNTING BLOCK 470 "SUELO MINI" - IVORY	180	COUPLE	5
SCD500289	FLOOR MOUNTING BLOCK 1000 "SUELO MINI" - IVORY	300	COUPLE	5

[Datasheet](#)



# SUELO MINI

MADE IN ITALY



## CLOSING CAP

## BOUCHON DE FERMETURE

## VERSCHLUSSKAPPE



CODE	DESCRIPTION	U.M.	Pieces per box
11105002	"SUELO MINI" MOUNTING BLOCK CAPS - IVORY	PCS	10

[Datasheet](#)



# SUELO MINI ECO

MADE IN ITALY



## UK FLOOR BASE PAIR WITH VIBRATION-DAMPER

### TECHNICAL SPECIFICATIONS

- Rigid anti-UVA, shockproof recycled PVC
- Black colour
- Rubber support base
- Sizes 330 - 400 - 470 - 1000
- Screws supplied M8

## FR PAIRE BASE AU SOL AVEC ANTI-VIBRATION SUELO MAXI

### CARACTÉRISTIQUES TECHNIQUES

- PVC recyclé rigide anti-UVA, antichoc
- Couleur noire
- Base de support en caoutchouc
- Tailles 330 - 400 - 470 - 1000
- Vis fournies M8

## DE PAAR BODENSOCKEL MIT SCHWINGUNGSDÄMPFER

### TECHNISCHE EIGENSCHAFTEN

- Recycliertes, starres, UVA-geschütztes, stoßfestes PVC
- Schwarz
- Gummiauflage
- Größen 330 - 400 - 470 - 1000
- Mitgelieferte Schrauben M8

With vibration damping rubber lines on the lower side



CODE	DESCRIPTION	COLOUR	LOAD CAPACITY [kg/1 pcs]	U.M.	Pieces per box
SCD5E0005	FLOOR MOUNTING BLOCK COUPLE "SUELO MINI ECO 330-E" - BLACK	BLACK	90	COUPLE	1
SCD5E0006	FLOOR MOUNTING BLOCK COUPLE "SUELO MINI ECO 400-E" - BLACK	BLACK	130	COUPLE	1
SCD5E0007	FLOOR MOUNTING BLOCK COUPLE "SUELO MINI ECO 470-E" - BLACK	BLACK	180	COUPLE	1
SCD5E0008	FLOOR MOUNTING BLOCK COUPLE "SUELO MINI ECO 1000-E" - BLACK	BLACK	300	COUPLE	1

Datasheet



# SUELO MINI ECO

MADE IN ITALY



## UK CLOSING CAP

## FR BOUCHON DE FERMETURE

## DE VERSCHLUSSKAPPE



CODE	DESCRIPTION	U.M.	Pieces per box
SCD5E0009	END CAPS "SUELO MINI-E" BLACK	PCS	10

Datasheet



## VIBRATION DAMPING KIT FOR BRACKETS AND FLOOR BASES

### TECHNICAL SPECIFICATIONS

- Made of soft, UVA-resistant PVC
- Vibration damper, Soft model, 50 shore, light grey
- Vibration damper, Hard model, 70 shore, dark grey
- Includes all screws

## KIT ANTI-VIBRATIONS POUR SUPPORTS ET SOCLES AU SOL

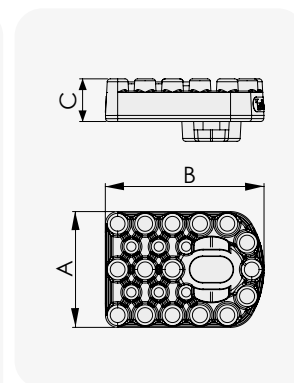
### CARACTÉRISTIQUES TECHNIQUES

- Fabriqué en PVC doux résistant aux UVA
- Plots anti-vibrations souples 50 shore, couleur gris clair
- Plots anti-vibrations durs 70 shore, couleur gris foncé
- Livré avec vis

## KIT SCHWINGUNGSDÄMPFER FÜR BÜGEL UND BODEN-SOCKEL

### TECHNISCHE EIGENSCHAFTEN

- Aus weichem, UVA-geschütztem PVC
- 50 Shore Soft-Schwingungsdämpfer, hellgrau
- 70 Shore Hard-Schwingungsdämpfer, dunkelgrau
- Komplett mit Schrauben



Datasheet

CODE	DESCRIPTION	DIMENSIONS [mm]			U.M.	Pieces per box
		A	B	C		
SCD500159	"NO-SHOCK" ANTI-VIBRATION KIT FOR BRACKETS (1 SET OF 4 PCS)	38	52	14	KIT	1



# PITAGORA

## FLOOR BASE

### TECHNICAL SPECIFICATIONS

- Anti-UVA glass-filled nylon
- Includes M8 bolts
- High mechanical strength
- Slot for pipes and electrical cables
- Ivory colour

## BASE AU SOL PITAGORA

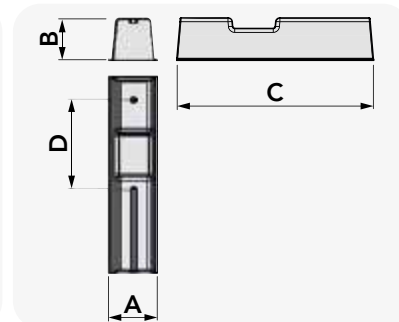
### CARACTÉRISTIQUES TECHNIQUES

- Nylon anti-UVA chargé de verre
- Livré avec des boulons M8
- Résistance mécanique élevée
- Fente prévue pour le passage des tuyaux et câbles électriques
- Couleur ivoire

## BODENSOCKEL

### TECHNISCHE EIGENSCHAFTEN

- UVA- geschütztes Nylon mit Glasfaserverstärkung.
- Komplett mit M8-Schrauben
- Hohe mechanische Festigkeit
- Schlitz für den Durchgang von Rohren und elektrischen Kabeln
- Elfenbeinfarben



CODE	DESCRIPTION	DIMENSIONS [mm]				WEIGHT [kg]	U.M.	Pieces per box
		A	B	C	D			
SCD500290	FLOOR MOUNTING BLOCKS "PITAGORA 365" - PACK OF 5 PAIRS	115	80	365	200 - 310	140	COUPLE	5
SCD500291	FLOOR MOUNTING BLOCKS "PITAGORA 465" - PACK OF 5 PAIRS	115	80	465	300-410	240	COUPLE	5

Datasheet





# NATURALLY RESISTANT!

**NEW**



3 MODELS,  
100 - 150 - 200 KG

MADE OF SBR  
VULCANISED RECYCLED RUBBER

## SPK 100/200/300

MADE IN ITALY



### UK SBR VULCANISED RUBBER FLOOR SUPPORT

#### TECHNICAL SPECIFICATIONS

- Made of vulcanised natural rubber
- Fastening bracket hardware supplied
- Recommended for VRV - VRF

### FR SUPPORT AU SOL EN CAOUTCHOUC VULCANISÉ SBR

#### CARACTÉRISTIQUES TECHNIQUES

- Fabriqué en caoutchouc naturel vulcanisé
- Boulons de fixation fournis
- Recommandé pour VRV - VRF

### DE BODENSTÄNDER AUS VULKANISIERTEM SBR

#### TECHNISCHE EIGENSCHAFTEN

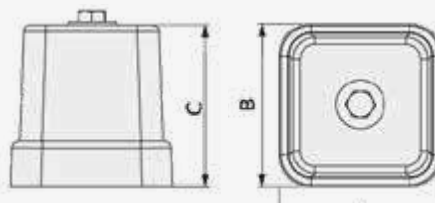
- Aus vulkanisiertem Naturgummi
- Befestigungsmaterial wird mitgeliefert
- Empfohlen für VRV - VRF



SPK 100

SPK 150

SPK 200



CODE	DESCRIPTION	DIMENSIONS [mm]			LOAD CAPACITY	U.M.	Pieces per box
		A	B	C			
SCD500269	VULCANIZED RUBBER FLOOR SUPPORT - "SPK 100" - 70x70x60 (PACK OF 4 PCS)	70	70	60	100 kg / 1 pc.	PCS	4
SCD500270	VULCANIZED RUBBER FLOOR SUPPORT - "SPK 150" - 80x80x80 (PACK OF 4 PCS)	80	80	80	150 kg / 1 pc.	PCS	4
SCD500271	VULCANIZED RUBBER FLOOR SUPPORT - "SPK 200" - 100x100x80 (PACK OF 4 PCS)	100	100	80	200 kg / 1 pc.	PCS	4

[Datasheet](#)





**VULCANISED NATURAL RUBBER FLOOR SUPPORT**

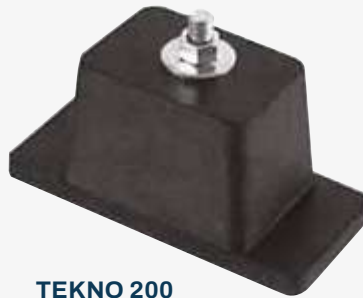
**SUPPORT AU SOL EN CAOUTCHOUC NATUREL VULCANISÉ TEKNO**

**BODENSTÄNDER AUS VULKANISIERTEM NATURGUMMI**

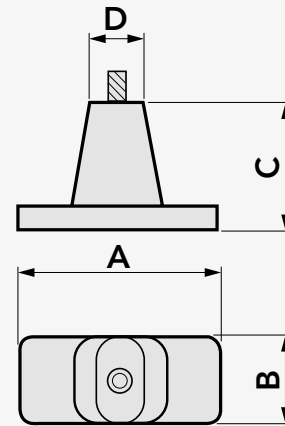
Recommended for floor condensing unit



TEKNO 100



TEKNO 200



CODE	DESCRIPTION	DIMENSIONS [mm]				LOAD CAPACITY	U.M.	Pieces per box
		A	B	C	D			
11105040	MOUNT "TEKNO 100"	100	50	95	35	80	PCS	20
11105041	MOUNT "TEKNO 200"	110	50	50	60	130	PCS	20

Datasheet



**FLOOR VIBRATION-DAMPING FOR OUTDOOR UNIT IN NATURAL VULCANISED RUBBER**

**TECHNICAL SPECIFICATIONS**

- Made of vulcanised natural rubber
- Fastening bracket hardware supplied
- Recommended for VRV - VRF

**AMORTISSEUR DE VIBRATIONS AU SOL POUR UNITÉ EXTÉRIEURE EN CAOUTCHOUC NATUREL VULCANISÉ**

**CARACTÉRISTIQUES TECHNIQUES**

- Fabriqué en caoutchouc naturel vulcanisé
- Boulons de fixation fournis
- Recommandé pour VRV - VRF

**BODENSCHWINGUNGSDÄMPFER AUS VULKANISIERTEM NATURGUMMI FÜR AUSSENHEINHEIT**

**TECHNISCHE EIGENSCHAFTEN**

- Aus vulkanisiertem Naturgummi
- Befestigungsmaterial wird mitgeliefert
- Empfohlen für VRV - VRF



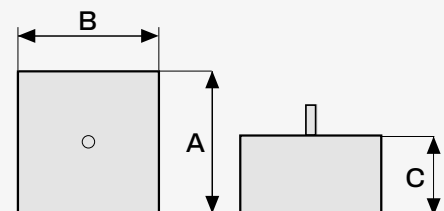
TEKNO 350



TEKNO 300



TEKNO 400



CODE	DESCRIPTION	DIMENSIONS [mm]			LOAD CAPACITY	Ø SCREW	U.M.	Pieces per box
		A	B	C				
11105042	MOUNT TEKNO 300	100	100	80	200	M8	PCS	8
11105080	MOUNT "TEKNO 350"	100	100	50	300	M8	PCS	8
11105085	MOUNT "TEKNO 400"	100	100	25	300	-	PCS	20

Datasheet





# SMALL SOLUTIONS FOR BIG RESULTS

TECNOSYSTEMI HAS DESIGNED A WIDE RANGE OF FLOOR SUPPORTS IDEAL FOR ANY SOLUTION

The **GENIUS** floor support is made of high mechanical strength material and the new **ZEUS** model is made of vulcanised SBR rubber. Manufactured in two versions with a fixed height and with a height-adjustable ring nut, they are suitable for all types of underfloor air conditioners or boilers.

RUBBER VIBRATION DAMPER

NON-SLIP KNURLING ADJUSTMENT

MATERIAL WITH HIGH MECHANICAL STRENGTH

AVAILABLE IN THE FOLLOWING COLOURS: IVORY AND BLACK

AIR-CONDITIONING FIXING HOLE

HOLE FOR ADJUSTMENT KEY



ADJUSTMENT RING HEIGHT: MIN. 100 - MAX. 140 MM

RUBBER SUPPORT VIBRATION DAMPER



ADJUSTABLE JOINT UP TO 15°

NON-SLIP KNURLING ADJUSTMENT

HEIGHT ADJUSTMENT RING MIN 200, MAX 255 MM (MODEL LONG)

2 X SLOTS FOR SPIRIT LEVEL BUILT-IN INSTALLATION BOX

M8 FASTENING SCREW

HOLE FOR ADJUSTMENT KEY

# ZEUS

MADE OF VULCANISED SBR RUBBER



# GENIUS 1000

MADE IN ITALY



## FOOT MOUNT

### TECHNICAL SPECIFICATIONS

- Double anti-vibration damper supplied
- Quick fastening pin Ø 10
- High mechanical strength
- Available in ivory or black
- Height 90mm

## PIED AU SOL

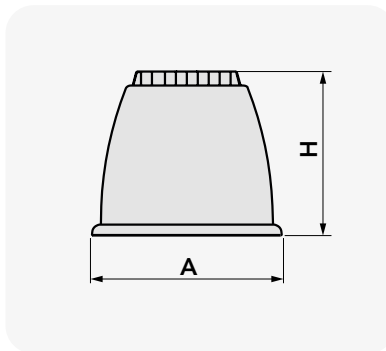
### CARACTÉRISTIQUES TECHNIQUES

- Double antivibratoire fourni
- Goupille de fixation rapide Ø 10
- Résistance mécanique élevée
- Disponible en ivoire ou noir
- Hauteur 90 mm

## BODENFUSS

### TECHNISCHE EIGENSCHAFTEN

- Doppelter Schwingungsdämpfer im Lieferumfang enthalten
- Schnellbefestigungsstift Ø 10
- Hohe mechanische Festigkeit
- Erhältlich in Elfenbein oder Schwarz
- Höhe: 90 mm



**KG** LOAD CAPACITY  
**1000 kg!**

CODE	DESCRIPTION	DIMENSIONS [mm]		U.M.	Pieces per box
		A	H		
11105340A	IVORY FOOT MOUNT "GENIUS 1000" W/SECURING PIN. QUICK Ø 10	105	90	PCS	4
11105340N	BLACK FOOT MOUNT "GENIUS 1000" WITH QUICK-SECURE PIN Ø 10	105	90	PCS	4

Datasheet



# GENIUS 1000R

MADE IN ITALY



## ADJUSTABLE FOOT MOUNT

### TECHNICAL SPECIFICATIONS

- Double anti-vibration damper supplied
- High mechanical strength
- Height adjustment ring nut 100 - 140 mm
- Quick fastening pin Ø 10, screw M10 or M8
- Non-slip knurling adjustment
- Available in black and ivory

## PIED AU SOL RÉGLABLE

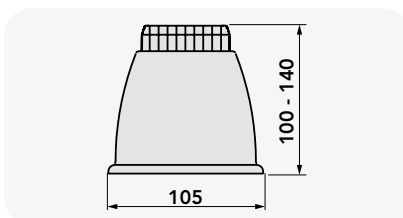
### CARACTÉRISTIQUES TECHNIQUES

- Double antivibratoire fourni
- Résistance mécanique élevée
- Bague de réglage en hauteur 100 - 140 mm
- Goupille de fixation rapide Ø 10, vis M10 ou M8
- Réglage avec moletage antidérapant
- Disponible en noir et ivoire

## VERSTELLBARERBODENFUSS

### TECHNISCHE EIGENSCHAFTEN

- Doppelter Schwingungsdämpfer im Lieferumfang enthalten
- Hohe mechanische Festigkeit
- Höhenverstellung 100 - 140 mm
- Schnellbefestigungsstift Ø 10 oder Schraube M10 oder M8
- Verstellung mit rutschfester Rändelung
- Erhältlich in Schwarz und Elfenbein



CODE	DESCRIPTION	U.M.	Pieces per box
11105350A	ADJUSTABLE IVORY FOOT MOUNT "GENIUS 1000R" WITH QUICK-SECURE PIN Ø 10	PCS	4
11105350N	ADJUSTABLE BLACK FOOT MOUNT "GENIUS 1000R" WITH QUICK-SECURE PIN Ø 10	PCS	4
11105360A	ADJUSTABLE IVORY FOOT MOUNT "GENIUS 1000R" WITH FIXING SCREWS M10	PCS	4
11105360N	ADJUSTABLE BLACK FOOT MOUNT "GENIUS 1000R" WITH FIXING SCREWS M10	PCS	4
SCD500101	ADJUSTABLE IVORY FOOT MOUNT "GENIUS 1000R" WITH FIXING SCREWS M8	PCS	4
SCD500102	ADJUSTABLE BLACK FOOT MOUNT "GENIUS 1000R" WITH FIXING SCREWS M8	PCS	4
11105361A	ADJUSTABLE IVORY FOOT MOUNT "GENIUS 1000R" WITH FIXING SCREWS M10x50	PCS	4
11105361N	ADJUSTABLE BLACK FOOT MOUNT "GENIUS 1000R" WITH FIXING SCREWS M10x50	PCS	4

**KG** LOAD CAPACITY  
**1000 kg!**

Datasheet



# GENIUS 1000R HIGH ARTICULATED

MADE IN ITALY



## LOW-HEIGHT FLOOR-STANDING FOOT

### TECHNICAL SPECIFICATIONS

- Material: glass-filled nylon
- Double anti-vibration damper supplied
- High mechanical strength
- Height adjustment ring nut from 123 to 176 mm

## PIED DE SOL NOIR À FAIBLE HAUTEUR

### CARACTÉRISTIQUES TECHNIQUES

- Matériau: nylon chargé de verre
- Double antivibratoire fourni
- Résistance mécanique élevée
- Bague de réglage en hauteur de 123 à 176 mm

## SCHWARZER STANDFUSS MIT REDUZIERTER HÖHE

### TECHNISCHE EIGENSCHAFTEN

- Material: Glasfaserverstärktes Nylon
- Doppelter Schwingungsdämpfer im Lieferumfang enthalten
- Hohe mechanische Festigkeit
- Höhenverstellung 123 bis 176 mm



"SHORT" MODEL

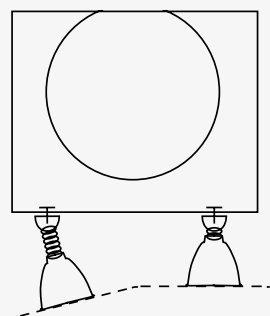
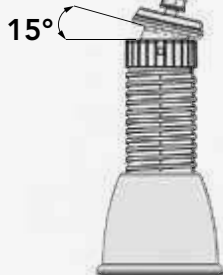
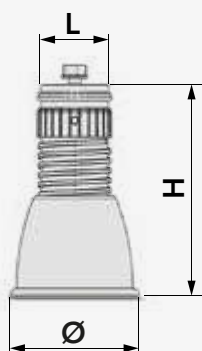


JOINTABLE

0-15°



"LONG" MODEL



Virtual reality



CODE	DESCRIPTION <u>SHORT</u> MODEL H.123 - 176 mm	DIMENSIONS [mm]			WEIGHT [kg]	U.M.	Pieces per box
		L	H	Ø			
SCD500180	ADJUSTABLE AND ARTICULATED FOOT MOUNT "GENIUS 1000R" SHORT - BLACK	60	123-176	105	500	PCS	4
SCD500181	ADJUSTABLE AND ARTICULATED FOOT MOUNT "GENIUS 1000R" - IVORY	60	123-176	105	500	PCS	4

Datasheet



CODE	DESCRIPTION <u>LONG</u> MODEL H.175 - 220 mm	DIMENSIONS [mm]			WEIGHT [kg]	U.M.	Pieces per box
		L	H	Ø			
11105365	ADJUSTABLE SWIVEL FOOT MOUNT "GENIUS 1000R HIGH ARTICULATED"	60	175 - 220	105	500	PCS	4

Datasheet





# SMALL SOLUTIONS FOR BIG RESULTS





**ANTI-VIBRATION FOOT IN VULCANISED RUBBER SBR**

**TECHNICAL SPECIFICATIONS**

- Made of SBR recycled volcanic rubber
- Height 107mm
- No. 2 seats for spirit level insertion
- Fixing screw M8

**PIED ANTIVIBRATOIRE EN CAOUTCHOUC VULCANISÉ SBR**

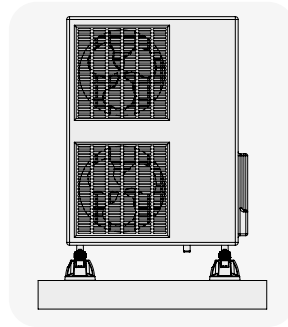
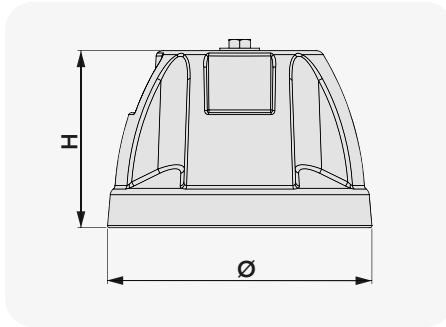
**CARACTÉRISTIQUES TECHNIQUES**

- Fabriqué en caoutchouc volcanique recyclé SBR
- Hauteur 107 mm
- N° 2 prédispositions pour insertion bulle
- Vis de fixation M8

**SCHWINGUNGSDÄMPFENDER FUSS AUS VULKANISIERTEM GUMMI SBR**

**TECHNISCHE EIGENSCHAFTEN**

- Hergestellt aus recyceltem Vulkankautschuk SBR
- Höhe: 107 mm
- Nr. 2 Aussparungen für den Einsatz der Libelle
- Befestigungsschraube nicht durchgehend M8



[Datasheet](#)



CODE	DESCRIPTION	DIMENSIONS [mm]		WEIGHT [kg]	U.M.	Pieces per box
		H	Ø			
SCD500277	VULCANIZED RUBBER FLOOR SUPPORT WITH M8 SCREW - "ZEUS" (PACK OF 4 PCS)	107	160	500	PCS	4



**ADJUSTABLE VIBRATION DAMPENING FOOT IN SBR VULCANISED RUBBER**

**TECHNICAL SPECIFICATIONS**

- Anti-vibration device included
- Made of SBR recycled volcanic rubber
- Height adjustable from 130 - 150 mm
- Non-slip knurling adjustment

**PIED ANTIVIBRATOIRE RÉGLABLE EN CAOUTCHOUC VULCANISÉ SBR**

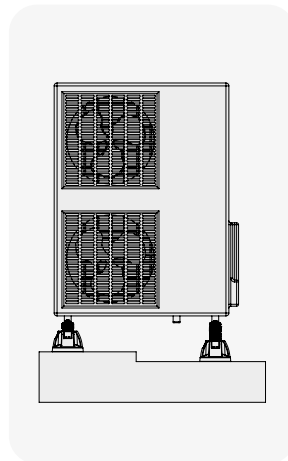
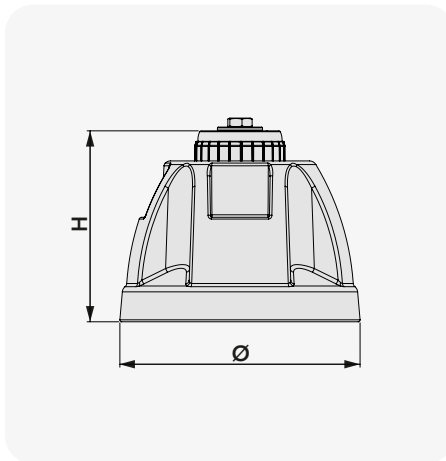
**CARACTÉRISTIQUES TECHNIQUES**

- Antivibratoire fourni
- Fabriqué en caoutchouc volcanique recyclé SBR
- Hauteur réglable de 130 - 150 mm
- Réglage avec moletage antidérapant

**VERSTELLBARER SCHWINGUNGSDÄMPFENDER FUSS AUS VULKANISIERTEM GUMMI SBR**

**TECHNISCHE EIGENSCHAFTEN**

- Schwingungsdämpfer im Lieferumfang enthalten
- Hergestellt aus recyceltem Aussparungen SBR
- Höhenverstellbar von 130 - 150 mm
- Verstellung mit rutschfester Rändelung



[Datasheet](#)



CODE	DESCRIPTION	DIMENSIONS [mm]		WEIGHT [kg]	U.M.	Pieces per box
		H	Ø			
SCD500278	VULCANIZED RUBBER FLOOR SUPPORT - ADJUSTABLE - "ZEUS" (PACK OF 4 PCS)	130/150	160	500	PCS	4



# ZEUS HIGH ARTICULATED

MADE IN ITALY



# ZEUS

HIGH ARTICULATED

## ANTI-VIBRATION FOOT IN VULCANISED RUBBER SBR

### TECHNICAL SPECIFICATIONS

- Anti-vibration device included
- Made of SBR recycled volcanic rubber
- Height adjustment ring nut min 150 max 205 mm (model Short)
- Height adjustment ring nut min 200 max 255 mm (model Long)
- Non-slip knurling adjustment
- Adjustable Joint
- No. 2 seats for spirit level insertion
- Fixing screw M8 x 50
- Inclination 0-15°

## PIED ANTIVIBRATOIRE EN CAOUTCHOUC VULCANISÉ SBR

### CARACTÉRISTIQUES TECHNIQUES

- Antivibratoire fourni
- Fabriqué en caoutchouc volcanique recyclé SBR
- Bague de réglage en hauteur min 150 max 205 mm (model Short)
- Bague de réglage en hauteur min 200 max 255 mm (model Long)
- Réglage avec moletage antidérapant
- Article réglable
- N° 2 prédispositions pour insertion bulle
- Vis de fixation M8 x 50
- Inclinaison 0-15°

## SCHWINGUNGSDÄMPFENDER FUSS AUS VULKANISIERTEM GUMMI SBR

### TECHNISCHE EIGENSCHAFTEN

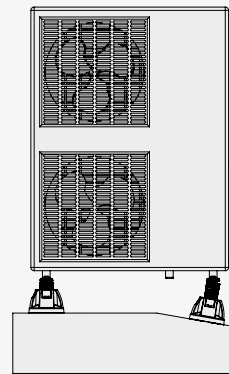
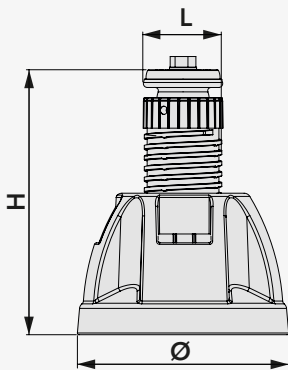
- Schwingungsdämpfer im Lieferumfang enthalten
- Hergestellt aus recyceltem vulkanisiertem Gummi SBR
- Höhenverstellung von min 150 max 205 mm (modell Short)
- Höhenverstellung von min 200 max 255 mm (modell Long)
- Verstellung mit rutschfester Rändelung
- Verstellbares Gelenk
- Nr. 2 Aussparungen für den Einsatz der Libelle
- Befestigungsschraube nicht durchgehend M8 x 50
- Neigungsverstellung 0-15°



"SHORT" MODEL



"LONG" MODEL



CODE	DESCRIPTION	MOD.	DIMENSIONS [mm]			WEIGHT CAPACITY [kg]	U.M.	Pieces per box
			H	L	Ø			
SCD500279	VULCANIZED RUBBER FLOOR SUPPORT - ADJUSTABLE AND ARTICULATED - "ZEUS" H.70 SHORT (PACK OF 4 PCS)	SHORT	150/205	60	160	500	PCS	4
SCD500280	VULCANIZED RUBBER FLOOR SUPPORT - ADJUSTABLE AND ARTICULATED - "ZEUS" H.100 LONG (PACK OF 4 PCS)	LONG	200/255	60	160	500	PCS	4
NEW SCD500351	VULCANIZED RUBBER FLOOR SUPPORT - ADJUSTABLE AND ARTICULATED - "ZEUS" H.100 LONG (PACK OF 6 PCS)	LONG	200/255	60	160	500	PCS	6

Datasheet



## 🇬🇧 LARGE ADJUSTABLE FOOT MOUNT

### TECHNICAL SPECIFICATIONS

- High mechanical strength
- Rear anti-vibration rubber mat 10 mm
- Built-in spirit level
- 4 Holes designed for floor fastening
- Adjustable ring nut with non-slip knurling height from 170 to 210 mm
- Fastening with M10 screws
- Available in black

## 🇫🇷 PIED AU SOL RÉGLABLE

### CARACTÉRISTIQUES TECHNIQUES

- Résistance mécanique élevée
- Tapis en caoutchouc antivibratoire arrière de 10 mm
- Bulle intégrée
- N° 4 Trous conçus pour la fixation au sol
- Bague réglable avec hauteur avec moletage antidérapant de 170 à 210 mm
- Fixation avec vis M10
- Disponible en noir

## 🇩🇪 VERSTELLBARER BODENFUSS

### TECHNISCHE EIGENSCHAFTEN

- Hohe mechanische Festigkeit
- Hintere schwingungsdämpfende Gummimatte 10 mm
- Eingebaute Libelle
- 4 Bohrungen für die Bodenbefestigung
- Einstellringmutter mit rutschfester Rändelung Höhe von 170 bis 210 mm
- Befestigung mit M10 Schraube
- Erhältlich in schwarz

Rubber vibration-damping

Hole for adjusting tool

Material with high mechanical resistance

Built-in spirit level

Vibration-damping in mat vulcanised rubber thickness mm 10

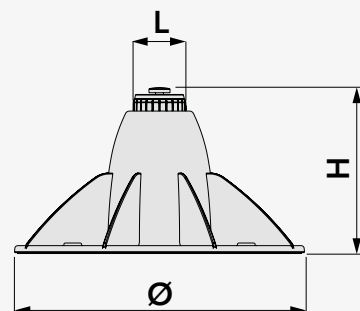
No. 4 holes ready for fastening to the floor

Fastening hole for air conditioning

Adjustment with anti-skid grain

Adjustment ringnut in height min 170 - max 210 mm

Stability ribs



With M10 Screw

**LOAD CAPACITY**  
**1200 kg!**

Datasheet



CODE	DESCRIPTION	DIMENSIONS [mm]			U.M.	Pieces per box
		L	Ø	H		
11105400	LARGE ADJUSTABLE FOOT MOUNT BLACK "GENIUS 12500R" WITH FIXING SCREWS M10	60	170 - 210	330	PCS	4

## 🇬🇧 GENIUS AND ZEUS METAL FOOT ADJUSTMENT KEY

## 🇫🇷 CLÉ DE RÉGLAGE DES PIEDS GENIUS ET ZEUS EN MÉTAL

## 🇩🇪 METALLSCHLÜSSEL ZUR EINSTELLUNG DER STÜTZFÜSSE GENIUS UND ZEUS



Allows you to adjust the foot and the Genius system in height after installation

Datasheet



CODE	DESCRIPTION	U.M.	Pieces per box
SCD500024	ADJUSTING SPANNER IN METAL FOR "GENIUS"	PCS	1

# GENIUS 1200R HIGH ARTICULATED

MADE IN ITALY



## ADJUSTABLE AND ARTICULATED LARGE FOOT MOUNT

### TECHNICAL SPECIFICATIONS

- High mechanical strength
- Rear anti-vibration rubber mat 10 mm
- Built-in spirit level
- 4 Holes designed for floor fastening
- Adjustable ring nut with non-slip knurling height from 200 to 300 mm
- Fastening pin with M10 screw
- Available in black

## PIED AU SOL ARTICULÉ RÉGLABLE ET ARTICULÉ

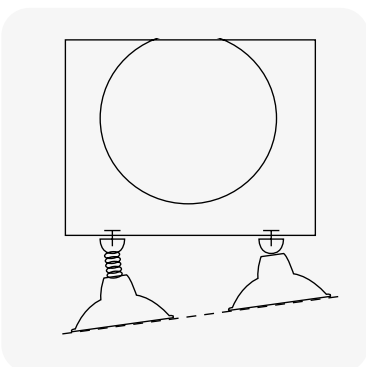
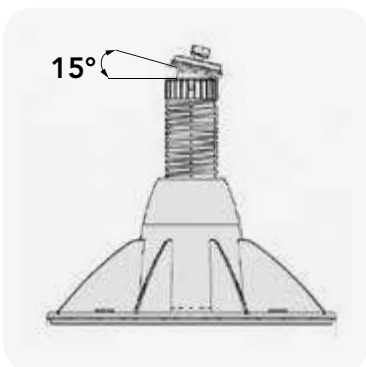
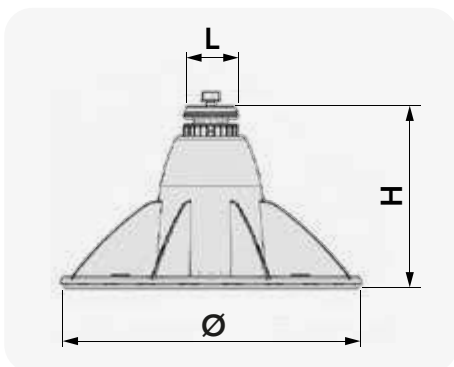
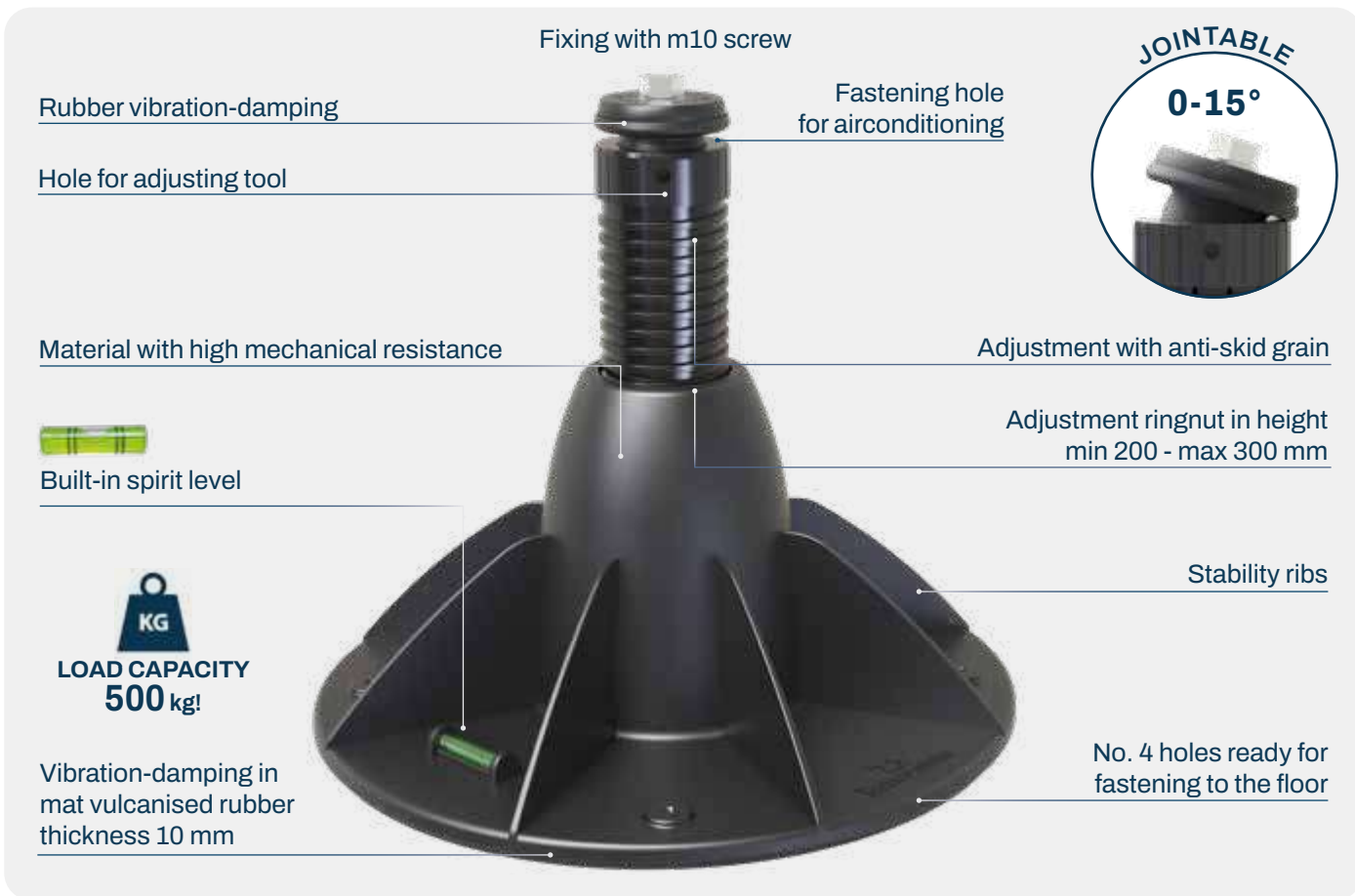
### CARACTÉRISTIQUES TECHNIQUES

- Résistance mécanique élevée
- Tapis en caoutchouc antivibratoire arrière de 10 mm
- Bulle intégrée
- N° 4 Trous conçus pour la fixation au sol
- Bague réglable avec hauteur de moletage antidérapant de 200 à 300 mm
- Goupille de fixation avec vis M10
- Disponible en noir

## GENIUS 1200R HOHER, GELENKIG VERSTELLBARER UND GELENKIG GELAGERTER BODENFUSS

### TECHNISCHE EIGENSCHAFTEN

- Hohe mechanische Festigkeit
- Hintere schwingungsdämpfende Gummimatte 10 mm
- Eingebaute Libelle
- 4 Bohrungen für die Bodenbefestigung
- Einstellringmutter mit rutschfester Rändelung Höhe von 200 bis 300 mm
- Befestigungsstift mit M10-Schraube
- Erhältlich in schwarz



CODE	DESCRIPTION	DIMENSIONS [mm]			U.M.	Pieces per box
		L	Ø	H		
11105405	ADJUSTABLE SWIVEL FOOT FOR FLOOR MOUNT "GENIUS 1200 HIGH ARTICULATED"	60	200 - 300	330	PCS	4

Datasheet



# A NEW RIDE FOR WORN TYRES

A VIRTUOSITY RESULTING  
FROM THE RESEARCH AND PLANNING  
OF OUR **CIRCULAR ECONOMY**

Since their invention, tyres have revolutionised the concept of mobility and the rubber from which they are made is indeed irreplaceable, but like all wearable materials, they too reach the end of their life. It is a common belief that the rubber they are made of is not easy to dispose of but with the right research and process tools, it becomes a highly recyclable material which, when shredded, is reduced to granules.

**Our Extreme bases are made from these recycled vulcanised rubber granules:** the positive effect is not only the reduced environmental impact associated with the disposal of the tyre, but also in terms of **energy**, since the production of recycled rubber requires less energy than virgin rubber.





# EXTREME

## ANTI-VIBRATION FLOOR BASE IN SBR VULCANISED RUBBER

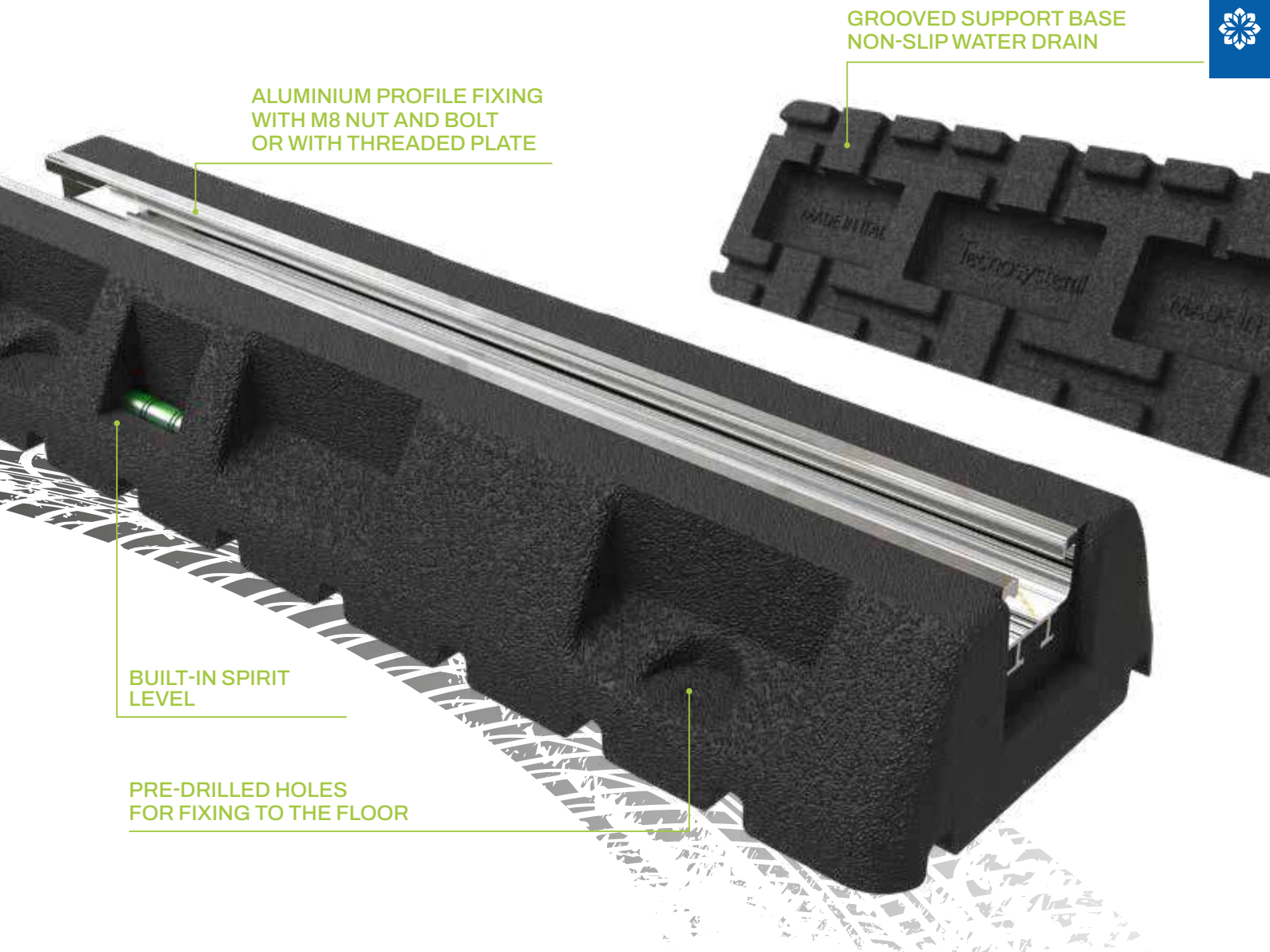


The “EXTREME” vibration-damping floor base is with a characteristic vulcanised recycled rubber granule structure and is equipped with an aluminium profile useful for attaching the outdoor condensing unit to the support itself. The floor base can be used to support external condensing units, VRV-VRF, base boilers, electrical ducts or pipes.

The floor base is equipped with a built-in levelling device for correct positioning and can be fixed to the ground. The machines are fixed to the base with nut and M8 screw or through the supplied sliders with M8 screw.



**U-PROFILE: L.38 x H.31 mm**  
Embedded for strong tightness



ALUMINIUM PROFILE FIXING  
WITH M8 NUT AND BOLT  
OR WITH THREADED PLATE

GROOVED SUPPORT BASE  
NON-SLIP WATER DRAIN

BUILT-IN SPIRIT  
LEVEL

PRE-DRILLED HOLES  
FOR FIXING TO THE FLOOR



# KIT 3 PCS EXTREME 100-8

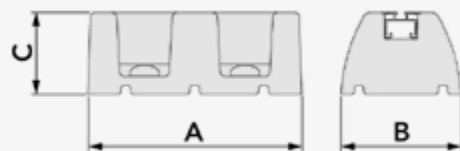


**VULCANISED RUBBER  
VIBRATION-RESISTANT  
FLOOR BASE**

**BASE AU SOL ANTI-  
VIBRATIONS EN  
CAOUTCHOUC VULCANISÉ**

**VIBRATIONSBESTÄNDIGER  
BODENSOCKEL AUS  
VULKANISIERTEM GUMMI**

**MADE IN ITALY**



**Complete with nut,  
washer and M8 bolt**



**U-profile: L. 38 x H.31 mm**  
Embedded for strong tightness

**Ideal for heat pumps**

**Datasheet**

CODE	DESCRIPTION	DIMENSIONS [mm]			LOAD CAPACITY [kg]	U.M.	Pieces per box
		A	B	C			
SCD500235	KIT OF 3 pcs "SBR "EXTREME-8" - 600 (Price per 1 foot)	600	140	95	500	PCS	3



# KIT 3 PCS EXTREME 100-20

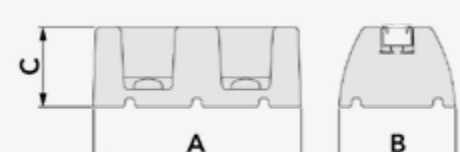


**VULCANISED RUBBER  
VIBRATION-RESISTANT  
FLOOR BASE**

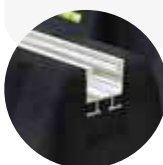
**BASE AU SOL ANTI-  
VIBRATIONS EN  
CAOUTCHOUC VULCANISÉ**

**VIBRATIONSBESTÄNDIGER  
BODENSOCKEL AUS  
VULKANISIERTEM GUMMI**

**MADE IN ITALY**



**Complete with threaded  
plate, washer and M8 bolt**



**U-profile: L. 38 x H.31 mm**  
Embedded for strong tightness

**Ideal for heat pumps**

**Virtual reality**



CODE	DESCRIPTION	DIMENSIONS [mm]			LOAD CAPACITY [kg]	U.M.	Pieces per box
		A	B	C			
SCD500236	KIT OF 3 pcs "SBR "EXTREME-20" - 600 (Price per 1 foot)	600	140	95	500	PCS	3

**Datasheet**



# EXTREME 100-8



**VULCANISED RUBBER VIBRATION-RESISTANT FLOOR BASE**

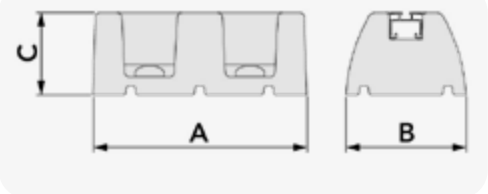
**BASE AU SOL ANTI-VIBRATIONS EN CAOUTCHOUC VULCANISÉ**

**VIBRATIONSBESTÄNDIGER BODENSOCKEL AUS VULKANISIERTEM GUMMI**

**MADE IN ITALY**



**U-profile: L. 38 x H.31 mm**  
Embedded for strong tightness



**Complete with nut, washer and M8 bolt**

Virtual reality



Datasheet



CODE	DESCRIPTION	DIMENSIONS [mm]			LOAD CAPACITY [kg]	U.M.	Pieces per box
		A	B	C			
11105060	SBR "EXTREME-8" 250 - FOOT MOUNT WITH ALU PROFILE, FIXING BOLT, WASHER AND NUT M8	250	140	95	200	PCS	2
SCD500237	SBR "EXTREME-8" 450 - FOOT MOUNT WITH ALU PROFILE, FIXING BOLT, WASHER AND NUT M8	450	140	95	300	PCS	2
SCD500238	SBR "EXTREME-8" 600 - FOOT MOUNT WITH ALU PROFILE, FIXING BOLT, WASHER AND NUT M8	600	140	95	500	PCS	2
11105066	SBR "EXTREME-8" 1000 - FOOT MOUNT WITH ALU PROFILE, FIXING BOLT, WASHER AND NUT M8	1000	140	95	650	PCS	2
11105068	SBR "EXTREME-8" 1200 - FOOT MOUNT WITH ALU PROFILE, FIXING BOLT, WASHER AND NUT M8	1200	140	95	750	PCS	2

# EXTREME 70-8



**VULCANISED RUBBER VIBRATION-RESISTANT FLOOR BASE**

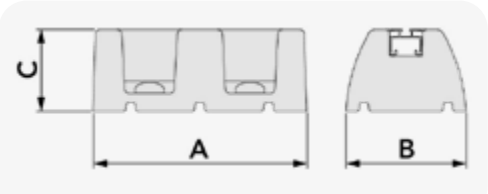
**BASE AU SOL ANTI-VIBRATIONS EN CAOUTCHOUC VULCANISÉ**

**VIBRATIONSBESTÄNDIGER BODENSOCKEL AUS VULKANISIERTEM GUMMI**

**MADE IN ITALY**



**U-profile: L. 38 x H.31 mm**  
Embedded for strong tightness



**Complete with nut, washer and M8 bolt**

Virtual reality



Datasheet



CODE	DESCRIPTION	DIMENSIONS [mm]			LOAD CAPACITY [kg]	U.M.	Pieces per box
		A	B	C			
SCD500071	"EXTREME 70 - 8" 450 - FOOT MOUNT	450	140	65	300	PCS	2
SCD500072	"EXTREME 70 - 8" 600 - FOOT MOUNT	600	140	65	500	PCS	2

# EXTREME 100-20

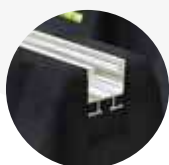


**VULCANISED RUBBER VIBRATION-RESISTANT FLOOR BASE**

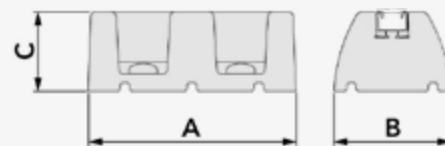
**BASE AU SOL ANTI-VIBRATIONS EN CAOUTCHOUC VULCANISÉ**

**VIBRATIONSBESTÄNDIGER BODENSOCKEL AUS VULKANISIERTEM GUMMI**

**MADE IN ITALY**



**U-profile: L. 38 x H.31 mm**  
Embedded for strong tightness



**Complete with threaded plate, washer and M8 bolt**

CODE	DESCRIPTION	DIMENSIONS [mm]			LOAD CAPACITY [kg]	U.M.	Pieces per box
		A	B	C			
11105060V	SBR "EXTREME-20" 250 - FOOT MOUNT WITH ALU PROFILE, THREADED PLATE TYPE B, WASHER AND NUT M8	250	140	95	200	PCS	2
SCD500241	SBR "EXTREME-20" 450 - FOOT MOUNT WITH ALU PROFILE, THREADED PLATE TYPE B, WASHER AND NUT M8	450	140	95	300	PCS	2
SCD500242	SBR "EXTREME-20" 600 - FOOT MOUNT WITH ALU PROFILE, THREADED PLATE TYPE B, WASHER AND NUT M8	600	140	95	500	PCS	2
11105066V	SBR "EXTREME-20" 1000 - FOOT MOUNT WITH ALU PROFILE, THREADED PLATE TYPE B, WASHER AND NUT M8	1000	140	95	650	PCS	2
11105068V	SBR "EXTREME-20" 1200 - FOOT MOUNT WITH ALU PROFILE, THREADED PLATE TYPE B, WASHER AND NUT M8	1200	140	95	750	PCS	2

[Datasheet](#)



# EXTREME 70-20

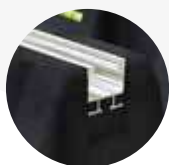


**VULCANISED RUBBER VIBRATION-RESISTANT FLOOR BASE**

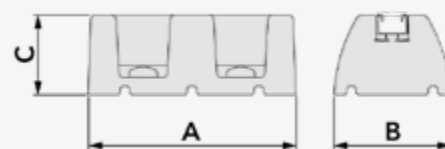
**BASE AU SOL ANTI-VIBRATIONS EN CAOUTCHOUC VULCANISÉ**

**VIBRATIONSBESTÄNDIGER BODENSOCKEL AUS VULKANISIERTEM GUMMI**

**MADE IN ITALY**



**U-profile: L. 38 x H.31 mm**  
Embedded for strong tightness



**Complete with threaded plate, washer and M8 bolt**

CODE	DESCRIPTION	DIMENSIONS [mm]			LOAD CAPACITY [kg]	U.M.	Pieces per box
		A	B	C			
SCD500073	EXTREME 70 - 20 450 - FOOT MOUNT	450	140	65	300	PCS	2
SCD500074	EXTREME 70 - 20 600 - FOOT MOUNT	600	140	65	500	PCS	2

[Datasheet](#)



# EXTREME 100-A

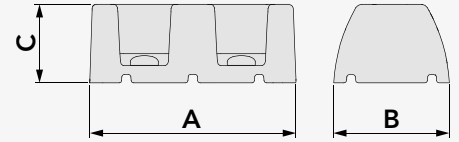


**VULCANISED RUBBER VIBRATION-RESISTANT FLOOR BASE**

**BASE AU SOL ANTI-VIBRATIONS EN CAOUTCHOUC VULCANISÉ**

**VIBRATIONSBESTÄNDIGER BODENSOCKEL AUS VULKANISIERTEM GUMMI**

**MADE IN ITALY**



Supplied with self-tapping screws

Fixing the direct screw on support

CODE	DESCRIPTION	DIMENSIONS [mm]			LOAD CAPACITY [kg]	U.M.	Pieces per box
		A	B	C			
11105059	SBR "EXTREME-A" 250 - FOOT MOUNT W/O ALU PROFILE	250	140	95	200	PCS	2
SCD500245	SBR "EXTREME-A" 450 - FOOT MOUNT W/O ALU PROFILE	450	140	95	300	PCS	2
SCD500246	SBR "EXTREME-A" 600 - FOOT MOUNT W/O ALU PROFILE	600	140	95	500	PCS	2
11105071	SBR "EXTREME-A" 1000 - FOOT MOUNT W/O ALU PROFILE	1000	140	95	650	PCS	2
11105072	SBR "EXTREME-A" 1200 - FOOT MOUNT W/O ALU PROFILE	1200	140	95	750	PCS	2

Datasheet



# EXTREME 70 A

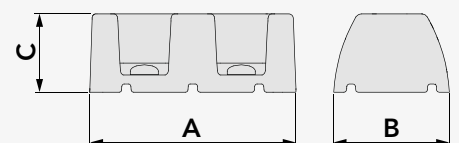


**VULCANISED RUBBER VIBRATION-RESISTANT FLOOR BASE**

**BASE AU SOL ANTI-VIBRATIONS EN CAOUTCHOUC VULCANISÉ**

**VIBRATIONSBESTÄNDIGER BODENSOCKEL AUS VULKANISIERTEM GUMMI**

**MADE IN ITALY**



Supplied with self-tapping screws

Fixing the direct screw on support

CODE	DESCRIPTION	DIMENSIONS [mm]			LOAD CAPACITY [kg]	U.M.	Pieces per box
		A	B	C			
SCD500075	EXTREME 70 - A 450 - FOOT MOUNT	450	140	65	300	PCS	2
SCD500076	EXTREME 70 - A 600 - FOOT MOUNT	600	140	65	500	PCS	2


Datasheet






# EXTREME HEIGHT 100

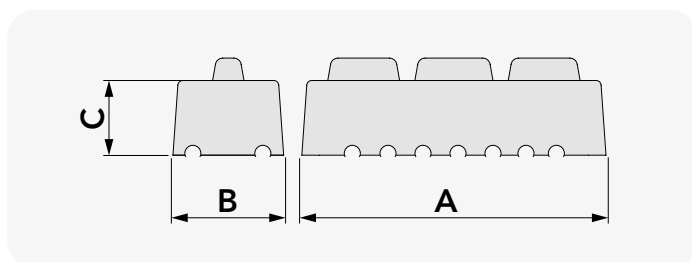
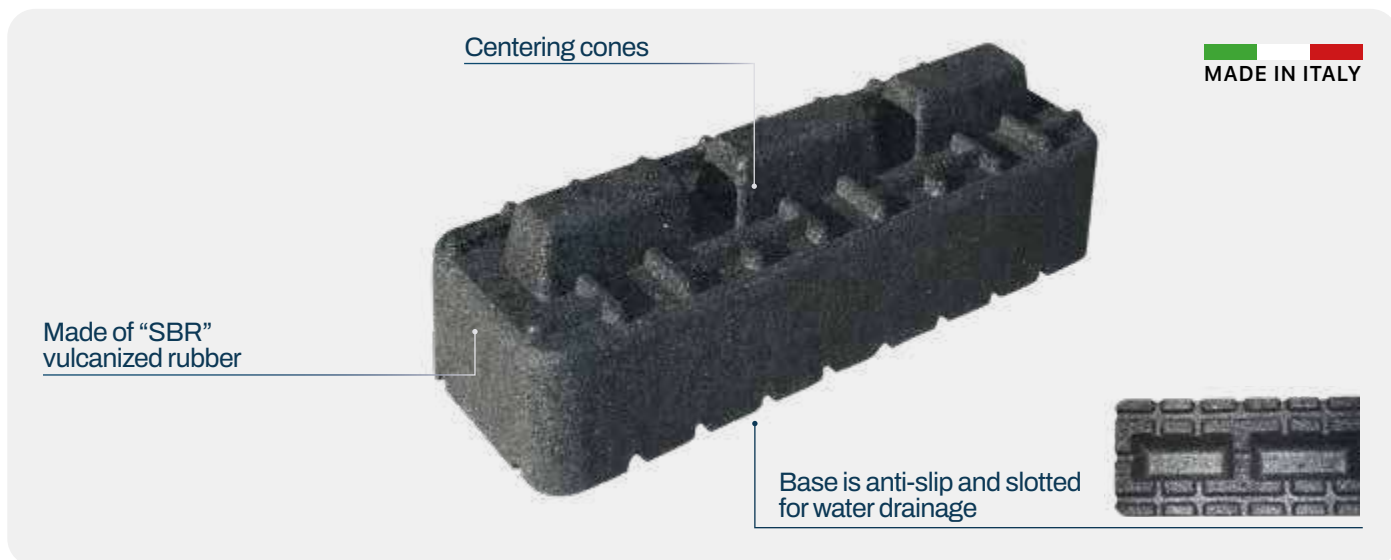


 RAISER FOR FLOOR BASE WITH VIBRATION DAMPING IN VULCANISED RUBBER SBR

 SURÉLEVATEUR POUR BASE DE SOL AVEC AMORTISSEMENT DES VIBRATIONS EN CAOUTCHOUC VULCANISÉ SBR

 SCHWINGUNGSDÄMPFENDER ERHÖHUNGSBASIS AUS VULKANISIERTEM SBR-GUMMI

**EXTREME HEIGHT** floor base risers, placed under the EXTREME 8-20-A floor bases, help further raise the outdoor unit in order to protect it in case of heavy snowfall and downpours.



CODE	DESCRIPTION	FOR CODES:	DIMENSIONS [mm]			LOAD CAPACITY [kg]	U.M.	Pieces per box
			A	B	C			
11105061	RISER FOR FOOT MOUNT IN SBR "EXTREME HEIGHT 250"	11105060	275	165	104	200	PCS	1
		11105060V						
		11105059						
11105067	RISER FOR FOOT MOUNT IN SBR "EXTREME HEIGHT 1000"	11105066	1025	165	104	650	PCS	1
		11105066V						
		11105071						
SCD500077	RISE FOR FOOT MOUNT 70 - 100 "EXTREME HEIGHT 450"	11105062	475	165	104	300	PCS	1
		11105062V						
		11105069						
		SCD500071						
		SCD500073						
SCD500078	RISE FOR FOOT MOUNT 70 - 100 "EXTREME HEIGHT 600"	11105064	625	165	104	500	PCS	1
		11105064V						
		11105070						
		SCD500072						
		SCD500074						
		SCD500076						





**SBR - INSULATION AND VIBRATION-DAMPING MAT PANEL IN VULCANISED RUBBER**

**TAPIS ISOLANT ET ANTI-VIBRATIONS EN CAOUTCHOUC VULCANISÉ**

**SBR - ISOLIER- UND ANTI-VIBRATIONSMATTENPLATTE AUS VULKANISIERTEM GUMMI**



CODE	DESCRIPTION	DIMENSIONS [mm]	THICKNESS [mm]	U.M.	Pieces per box
11105073	INSULATING MAT "SBR" VULCANIZED RUBBER VIBRATION DAMPER 500x500x20	500 x 500	20	PCS	1
SCC500001	INSULATING MAT "SBR" VULCANIZED RUBBER VIBRATION DAMPER 500x500x10	500 x 500	10	PCS	1
SCC500002	INSULATING MAT "SBR" VULCANIZED RUBBER VIBRATION DAMPER 330X330X20	330 x 330	20	PCS	1
SCC500003	INSULATING MAT "SBR" VULCANIZED RUBBER VIBRATION DAMPER 330X330X10	330 x 330	10	PCS	1

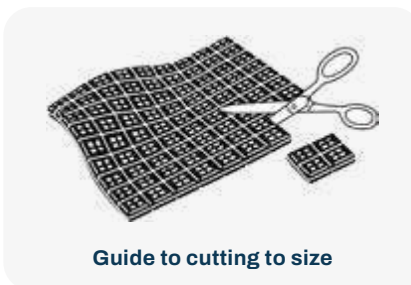
[Datasheet](#)



**PRE-CUT VULCANISED NATURAL RUBBER MULTI-PURPOSE VIBRATION-DAMPING MAT 452 X 452 X 20**

**TAPIS ANTI-VIBRATIONS POLYVALENT EN CAOUTCHOUC NATUREL VULCANISÉ PRÉDÉCOUPÉ 452 X 452 X 20**

**VORGESCHNITTENE, VULKANISIERTE, SCHWINGUNGSDÄMPFENDE MEHRZWECK-MATTE AUS NATURGUMMI 452 X 452 X 20**



Guide to cutting to size



CODE	DESCRIPTION	DIMENSIONS [mm]	THICKNESS [mm]	U.M.	Pieces per box
SCC500013	MULTIUSE PRE-CUT INSULATING MAT IN VULCANIZED RUBBER 452X452X20	452 x 452	20	PCS	1

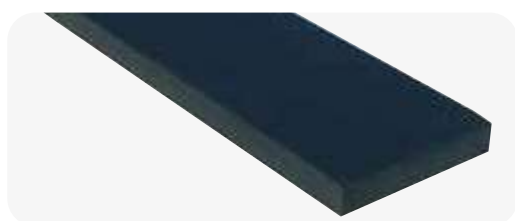
[Datasheet](#)



**VULCANISED NATURAL RUBBER BAND MULTI-PURPOSE SET**

**ENSEMBLE DE BANDES ANTI-VIBRATIONS EN CAOUTCHOUC VULCANISÉ NATUREL POLYVALENTES**

**MEHRZWECK-BAUSATZ VULKANISIERTER NATURGUMMIBÄNDER**



CODE	DESCRIPTION	DIMENSIONS [mm]		THICKNESS [mm]	LOAD CAPACITY MAX.	U.M.	Pieces per box
		L	H				
11100069	MULTI ANTI-VIBRATION PAD	610	50	9	400 Kg/1pcs.	PCS	1

[Datasheet](#)





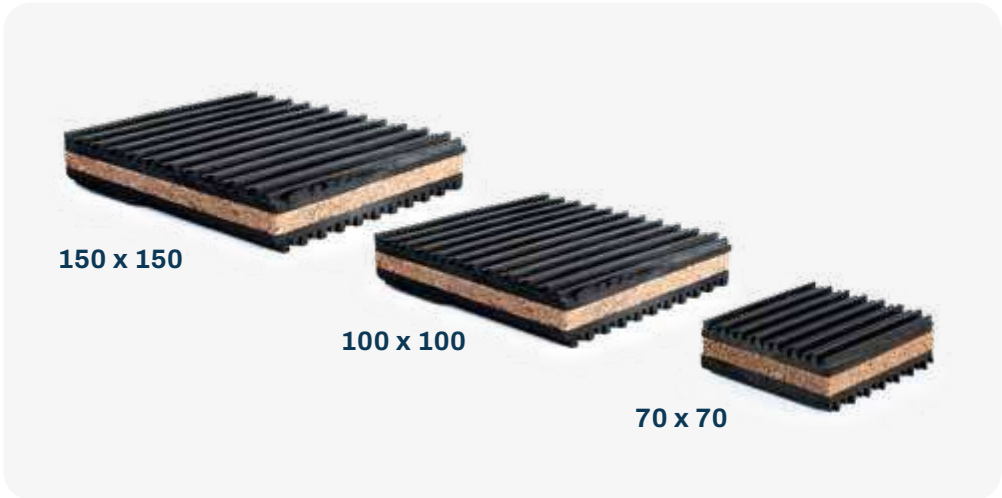
**VULCANISED RUBBER AND CORK DUAL KNURLED MULTI-PURPOSE VIBRATION-DAMPING MAT**



**TAPIS ANTI-VIBRATIONS POLYVALENT À DOUBLE MOLETAGE EN CAOUTCHOUC VULCANISÉ ET LIÈGE**



**MEHRZWECK SCHWINGUNGSSCHUTZMATTE MIT RÄNDELUNGEN AUS VULKANISIERTEM GUMMI UND KORKEN**



**LOAD CAPACITY**  
**200 kg!**

CODE	DESCRIPTION	DIMENSIONS [mm]	THICKNESS [mm]	U.M.	Pieces per box
SCC500006	MULTIUSE INSULATING MAT IN VULCANIZED RUBBER AND CORK, WITH DOUBLE KNURLING - 70X70X30	70 x 70	30	PCS	4
SCC500007	MULTIUSE INSULATING MAT IN VULCANIZED RUBBER AND CORK, WITH DOUBLE KNURLING - 100x100X30	100 x 100	30	PCS	4
SCC500008	MULTIUSE INSULATING MAT IN VULCANIZED RUBBER AND CORK, WITH DOUBLE KNURLING - 150x150X30	150 x 150	30	PCS	4

[Datasheet](#)



**MULTI-PURPOSE VULCANISED ANTI-VIBRATION RUBBER BAND WITH DOUBLE CROSSED KNURLING**



**BANDE DE CAOUTCHOUC ANTIVIBRATOIRE VULCANISÉE POLYVALENTE AVEC DOUBLE MOLETAGE EN CROIX**



**MEHRZWECK SCHWINGUNGSSCHUTZMATTE MIT RÄNDELUNGEN AUS VULKANISIERTEM GUMMI**



**WITH DOUBLE CROSSWISE KNURLING**

CODE	DESCRIPTION	DIMENSIONS [mm]	THICKNESS [mm]	U.M.	Pieces per box
SCC500005	MULTIUSE INSULATING STRIP IN VULCANIZED RUBBER, WITH DOUBLE CROSSING KNURLING 1000X100X10	1000 x 100	10	PCS	1

[Datasheet](#)



FLOOR SUPPORT

APPUI AU SOL

BODENSTÄNDER

The range of vibration-damping floor supports has been designed to support high loads and is recommended for the positioning of large machines such as: VRV-VRF, refrigeration units, air handling units, large industrial plants in general. Through the threaded pin and adjustment, any machine can be adjusted in height and levelled.

It is fully made with Ø 50 galvanised steel pipe complete with nuts, washers, threaded bars.



LOAD CAPACITY  
**1200 kg!**

Seat for round pipe square  
Ø50, 40x40 and for profile 41x41

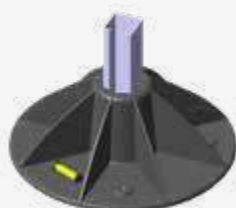
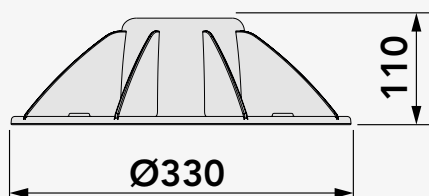
Stability ribs

High - mechanical  
strength material

Built-in  
spirit level

No. 4 holes ready for fastening  
to the floor

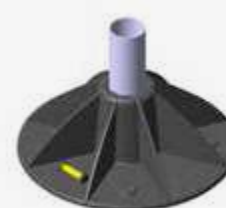
Vibration-damping mat  
in vulcanised rubber  
thickness mm. 10



PROFILE 41 X 41



PIPE 40 X 40



ROUND PIPE Ø 50

## ADJUSTABLE FLOOR SUPPORT

### TECHNICAL SPECIFICATIONS

- High mechanical strength
- Rear anti-vibration rubber mat 10 mm
- Built-in spirit level
- Threaded bar
- Galvanised tube Ø 50 mm
- Available in black

## SUPPORT AU SOL RÉGLABLE

### CARACTÉRISTIQUES TECHNIQUES

- Résistance mécanique élevée
- Tapis en caoutchouc antivibratoire arrière de 10 mm d'épaisseur
- Bulle intégrée
- Barre filetée
- Tuyau galvanisé Ø 50 mm
- Disponible en noir

## VERSTELLBARER BODENSTÄNDER

### TECHNISCHE EIGENSCHAFTEN

- Hohe mechanische Festigkeit
- Hintere schwingungsdämpfende Gummimatte 10 mm
- Eingebaute Libelle
- Gewindestange
- Verzinktes Rohr Ø 50 mm
- Erhältlich in schwarz

**LOAD CAPACITY**  
2000 kg!

Datasheet



Tubo zincato Ø 50



HERCULES  
100



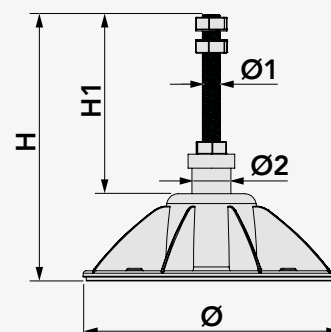
HERCULES  
210 - 300



HERCULES  
260 - 390



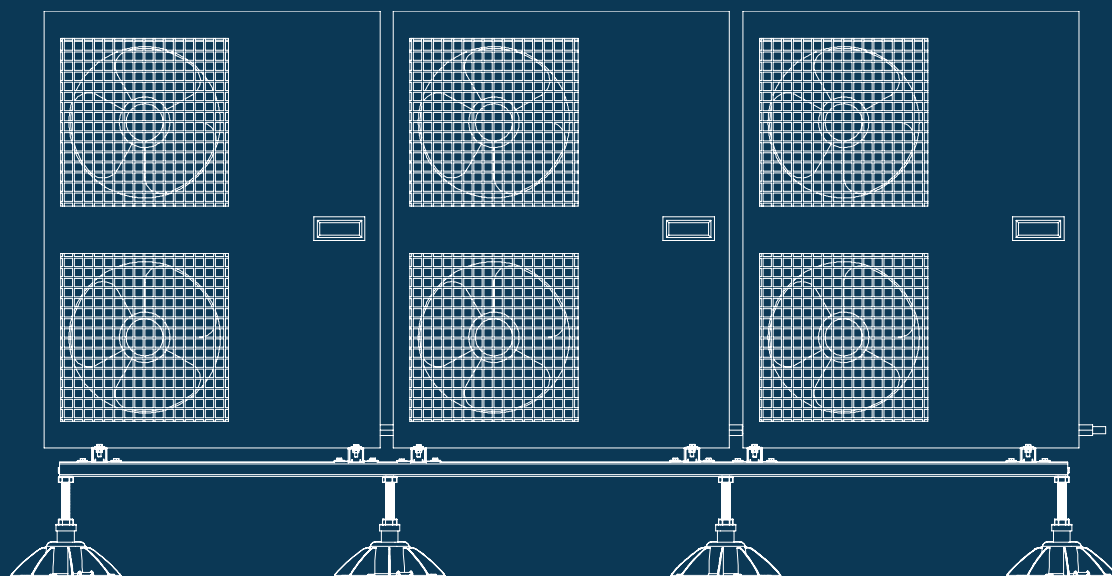
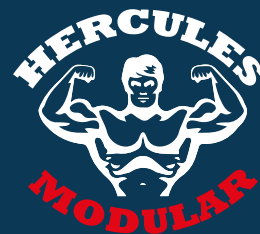
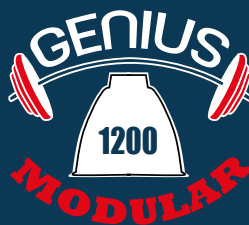
HERCULES  
370 - 500



CODE	DESCRIPTION	DIMENSIONS [mm]					LOAD CAPACITY MAX. [kg]	U.M.	Pieces per box
		Ø	Ø1	Ø2	H	H1			
11105110	"HERCULES" 100 FOOT MOUNT	330	--	--	106	--	2000	PCS	2
11105120	ADJUSTABLE "HERCULES" 150-300 FOOT MOUNT	330	M24	50	210 - 300	104 - 194	2000	PCS	2
11105130	ADJUSTABLE "HERCULES" 150-400 FOOT MOUNT	330	M24	50	260 - 390	154 - 194	2000	PCS	2
11105140*	ADJUSTABLE "HERCULES" 150-500 FOOT MOUNT	330	M24	50	370 - 500	264 +- 394	2000	PCS	2

\*Available on request

# ADJUSTABLE MODULAR SUPPORT SYSTEMS

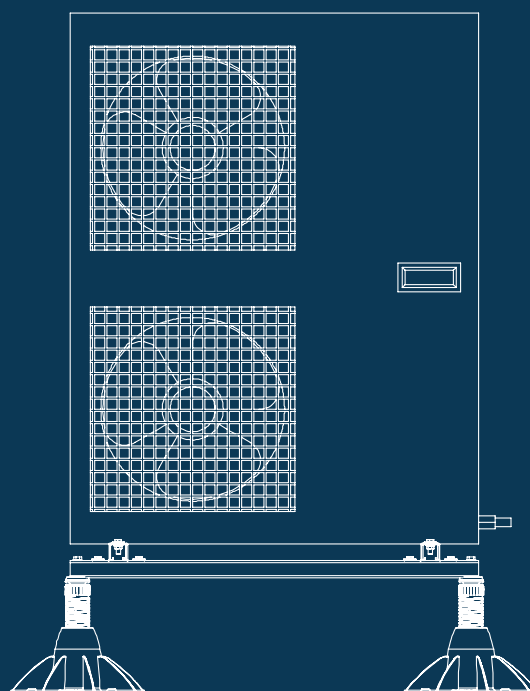


The Hercules and Genius Modular systems are designed to provide a versatile and reliable solution to support VRV / VRF units and chillers, ensuring correct installation and optimum system efficiency. Thanks to its modular design, the system can be easily adapted to different configurations and project-specific requirements.

The system structure is made of high-quality materials, such as galvanised steel and aluminium, which guarantee superior weather resistance and exceptional durability. The support system is also equipped with adjustable feet, enabling accurate installation and perfect levelling of the units.

The versatility of the systems is also reflected in its ability to adapt to different unit dimensions and weights. Thanks to its modular and adjustable components, the system can be easily customised to support both small units and large multi-unit systems.

In addition to its functionality, the systems have been designed with a focus on aesthetics. The system's elegant and discreet design blends perfectly with the architecture of buildings, ensuring a clean and professional appearance.

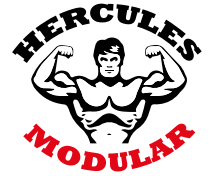






# HERCULES MODULAR 1-2-3

MADE IN ITALY



## ADJUSTABLE SUPPORT SYSTEM

### TECHNICAL SPECIFICATIONS

- Galvanised steel profile structure
- Adjustable feet "Hercules" model
- Adaptable to all machines on the market
- Height-adjustable

### HEIGHT-ADJUSTABLE

IDEAL FOR VRF-VRV, REFRIGERATION UNITS AND AIR TREATMENT SYSTEMS

## SYSTÈME DE SUPPORT RÉGLABLE

### CARACTÉRISTIQUES TECHNIQUES

- Structure profilée en acier galvanisé
- Pieds "Hercules" ajustables
- Adaptable à toutes les machines sur le marché
- Réglable en hauteur

### RÉGLABLE EN HAUTEUR

IDÉAL POUR VRF-VRV, GROUPES FRIGORIFIQUES ET CTA

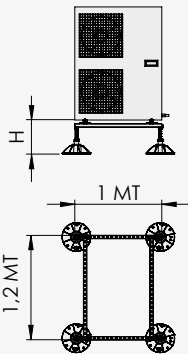
## VERSTELLBARES STÜTZSYSTEM

### TECHNISCHE EIGENSCHAFTEN

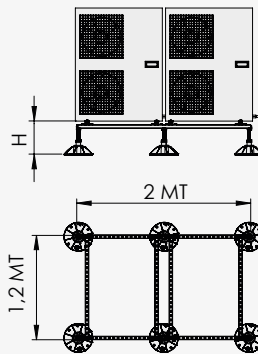
- Profilstruktur aus verzinktem Stahl
- Verstellbare Füße Modell "Hercules"
- Anpassbar an alle handelsüblichen Maschinen
- Höhenverstellbar

### HÖHENVERSTELLBAR

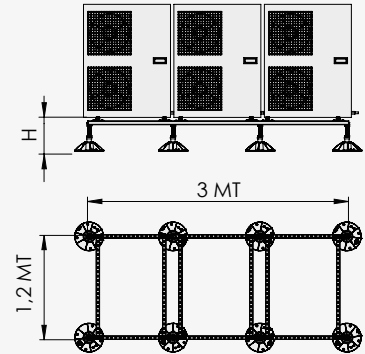
IDEAL FÜR VRF-VRV, KÜHLAGGREGATE UND AHUS



HERCULES MODULAR 1



HERCULES MODULAR 2



HERCULES MODULAR 3

CODE	DESCRIPTION	HEIGHT MIN-MAX [mm]	LOAD CAPACITY [kg]	U.M.	Pieces per box
SCD500052	"HERCULES MODULAR 1" 150-300 ADJUSTABLE MOUNT SYSTEM	270 - 360	8000	PCS	1
SCD500053	"HERCULES MODULAR 1" 150-400 ADJUSTABLE MOUNT SYSTEM	320 - 450	8000	PCS	1
SCD500054	"HERCULES MODULAR 1" 150-50 ADJUSTABLE MOUNT SYSTEM ***AVAILABLE ON REQUEST	430 - 560	8000	PCS	1
SCD500055	"HERCULES MODULAR 2" 150-300 ADJUSTABLE MOUNT SYSTEM	150 - 300	12000	PCS	1
SCD500056	"HERCULES MODULAR 2" 150-400 ADJUSTABLE MOUNT SYSTEM	150 - 400	12000	PCS	1
SCD500057	"HERCULES MODULAR 2" 150-50 ADJUSTABLE MOUNT SYSTEM ***AVAILABLE ON REQUEST	150 - 500	12000	PCS	1
SCD500058	"HERCULES MODULAR 3" 150-300 ADJUSTABLE MOUNT SYSTEM	150 - 300	16000	PCS	1
SCD500059	"HERCULES MODULAR 3" 150-400 ADJUSTABLE MOUNT SYSTEM	150 - 400	16000	PCS	1
SCD500060	"HERCULES MODULAR 3" 150-50 ADJUSTABLE MOUNT SYSTEM ***AVAILABLE ON REQUEST	150 - 500	16000	PCS	1

Datasheet



# GENIUS 1200 MODULAR HIGH ARTICULATED

MADE IN ITALY



## ADJUSTABLE SUPPORT SYSTEM

### TECHNICAL SPECIFICATIONS

- Galvanised steel profile structure
- Adjustable, swivel feet "Genius" model
- Adaptable to all machines on the market
- Height-adjustable

### HEIGHT-ADJUSTABLE

IDEAL FOR VRF-VRV, REFRIGERATION UNITS AND AIR TREATMENT SYSTEMS

## SYSTÈME DE SUPPORT RÉGLABLE

### CARACTÉRISTIQUES TECHNIQUES

- Structure profilée en acier galvanisé
- Pieds "Genius" ajustables et articulés
- Adaptable à toutes les machines sur le marché
- Réglable en hauteur

### RÉGLABLE EN HAUTEUR

IDÉAL POUR VRF-VRV, GROUPES FRIGORIFIQUES ET CTA

## VERSTELLBARES STÜTZSYSTEM

### TECHNISCHE EIGENSCHAFTEN

- Profilstruktur aus verzinktem Stahl
- Verstellbare, Gelenk-Füße "Genius"
- Anpassbar an alle handelsüblichen Maschinen
- Höhenverstellbar

### HÖHENVERSTELLBAR

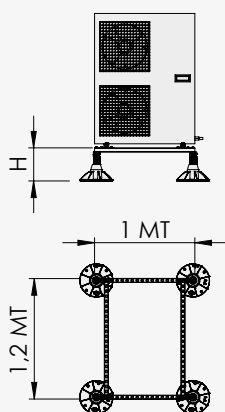
IDEAL FÜR VRF-VRV, KÜHLAGGREGATE UND AHUS



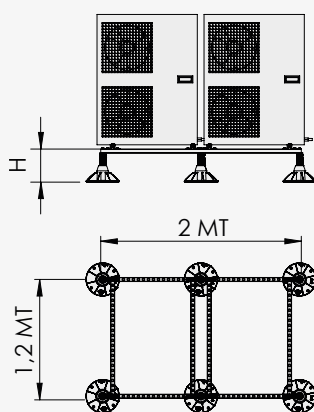
Detail of the joint



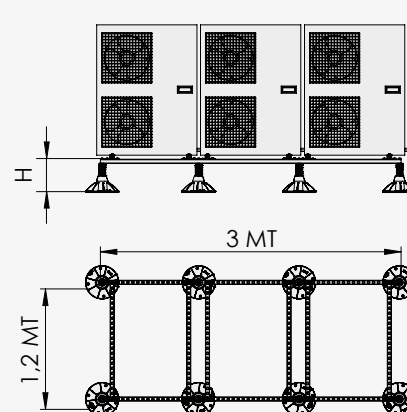
Virtual reality



GENIUS MODULAR 1



GENIUS MODULAR 2



GENIUS MODULAR 3

CODE	DESCRIPTION	HEIGHT MIN-MAX [mm]	LOAD CAPACITY [kg]	U.M.	Pieces per box
SCD500061	"GENIUS MODULAR 1" 200-300 ADJUSTABLE MOUNT SYSTEM	280 - 370	2000	PCS	1
SCD500062	"GENIUS MODULAR 2" 200-300 ADJUSTABLE MOUNT SYSTEM	280 - 370	3000	PCS	1
SCD500063	"GENIUS MODULAR 3" 200-300 ADJUSTABLE MOUNT SYSTEM	280 - 370	4000	PCS	1

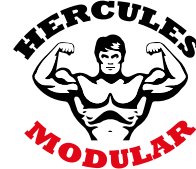
Datasheet





# TRAY FOR ADJUSTABLE SUPPORT SYSTEMS

MADE IN ITALY



## TRAY FOR ADJUSTABLE SUPPORT SYSTEMS FOR HERCULES MODULAR AND GENIUS MODULAR

### TECHNICAL SPECIFICATIONS

- Made of galvanized metal sheet
- Adaptable to all Modular 1, 2, 3 systems
- Supplied with Ø 16 condensate drain pipe coupling
- Supplied with fastening screws

## BAC POUR SYSTÈMES DE SUPPORT RÉGLABLES HERCULES MODULAR ET GENIUS MODULAR

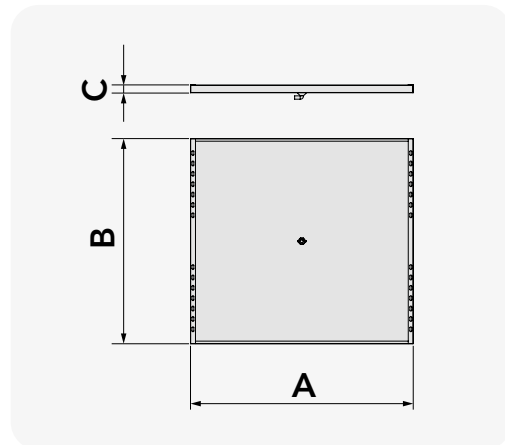
### CARACTÉRISTIQUES TECHNIQUES

- Fabriqué en tôle galvanisée
- Adaptable à tous les systèmes modulaires 1, 2, 3
- Livré avec raccord de tuyau de vidange de condensat Ø 16
- Livré avec le matériel de montage

## WANNE FÜR DIE VERSTELLBAREN HALTERUNGSSYSTEM HERCULES MODULAR UND GENIUS MODULAR

### TECHNISCHE EIGENSCHAFTEN

- Aus verzinktem Blech
- Anpassbar an alle Modular-Systeme 1, 2, 3
- Lieferung mit Kondensatablaufschlauchanschluss Ø 16
- Lieferung mit Befestigungsschrauben und Muttern



Diameter of the heating cable: Ø6 mm

Power supply voltage: 230 V

Resistance tolerance: -5%/+10%

Connection at + 3°C

Built-in thermostat



EXAMPLE OF TRAY INSTALLED ON HERCULES MODULAR 1 SUPPORT SYSTEM

CODE	DESCRIPTION	DIMENSIONS [mm]			U.M.	Pieces per box
		A	B	C		
SCD500084	TRAY FOR ADJUSTABLE SUPPORT SYSTEMS HERCULES MODULAR AND GENIUS MODULAR	1075	990	38	PCS	1
SCD500247	DRAIN PAN FOR MODULAR SYSTEMS WITH HEATING CABLE "HERCULES" and "GENIUS"	1075	990	38	PCS	1

Datasheet



## WRENCH FOR FIXING OUTDOOR UNITS

### TECHNICAL SPECIFICATIONS

- Socket spanner for 14mm hex head screws
- Instrument length 70 cm
- Equipped with 2 practical handles, one for sealing and one for screwing
- Max. spanner opening 18 cm



## CLÉ POUR FIXER DES UNITÉS EXTERNES

### CARACTÉRISTIQUES TECHNIQUES

- Clé à douille pour vis à tête hexagonale de 14 mm
- Longueur de l'instrument 70 cm
- Équipé de 2 poignées pratiques, une pour l'étanchéité et une pour le vissage
- Ouverture de la clé max. 18 cm



## SCHLÜSSEL ZUR BEFESTIGUNG DER AUSSENGERÄTE

### TECHNISCHE EIGENSCHAFTEN

- Steckschlüssel für 14 mm Sechskantschrauben
- Instrumentenlänge 70 cm
- Mit 2 praktischen Griffen, einer zum Verschließen und einer zum Verschrauben
- Max. Schlüsselöffnung 18 cm



Datasheet



CODE	DESCRIPTION	U.M.	Pieces per box
SCC600021	SPECIAL WRENCH FOR FIXING EXTERNAL UNITS	PCS	1

## GIRAFFA 200

CE MADE IN ITALY

## TELESCOPIC MANUAL LIFTER

### TECHNICAL SPECIFICATIONS

- Made of aluminium
- Max load capacity 180 kg
- Folded hoist dimensions 1169 x 778 x 471 mm
- Maximum lifting height 2.88 m
- Removable feet for easy transport of hoist
- Includes swivel castors Ø 76 mm with brake

## ÉLÉVATEUR MANUEL TÉLESCOPIQUE

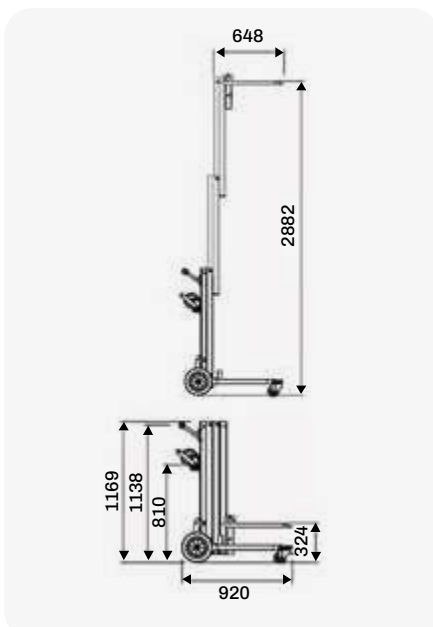
### CARACTÉRISTIQUES TECHNIQUES

- Fabriqué en aluminium
- Capacité de charge maximale 180 kg
- Dimensions de l'élévateur replié 1169 x 778 x 471 mm
- Hauteur de levage maximale 2,88 m
- Pieds amovibles pour faciliter le transport de l'élévateur
- Livré avec roulettes pivotantes Ø 76 mm équipées de frein

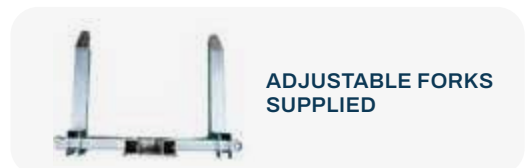
## TELESKOP GIRAFFE 200 - HANDLIFT

### TECHNISCHE EIGENSCHAFTEN

- Aus Aluminium
- Max. Tragfähigkeit 180 kg
- Abmessungen der gefalteten Hebevorrichtung 1169 x 778 x 471 mm
- Maximale Hubhöhe 2,88 m
- Abnehmbare Füße für einfachen Transport der Hebevorrichtung
- Komplett mit Lenkrädern Ø 76 mm mit Bremse



TECHNICAL DATA	
MAX LOAD CAPACITY	180 kg
FOLDED HOIST DIMENSIONS	1169 x 778 x 471 mm
MAXIMUM LIFTING HEIGHT	2,88 m



ADJUSTABLE FORKS SUPPLIED

Ideal for the installation of outdoor and indoor units, heat recovery units, wall boilers, round ducts and metal ducts.

Datasheet



CODE	DESCRIPTION	U.M.	Pieces per box
11100210	MANUAL TELESCOPING LIFTER "GIRAFFA 200"	PCS	1



## GIRAFFA 300/400 ELECTRIC TELESCOPIC LIFTER

### TECHNICAL SPECIFICATIONS

- Aluminium frame
- Height from 3,400 mm to 4,900 mm
- Max load capacity from 120 kg to 90 kg
- Floor adjustment
- With telescopic tripod
- Levelled using built-in spirit level
- Electronic push-button control

HEIGHT FROM 3,400 mm TO 4,900 mm

## GIRAFFA 300/400 ÉLÉVATEUR ÉLECTRIQUE TÉLESCOPIQUE

### CARACTÉRISTIQUES TECHNIQUES

- Cadre en aluminium
- Hauteur de 3 400 mm à 4 900 mm
- Capacité de charge maximale de 120 kg à 90 kg
- Réglage au plancher
- Avec trépied télescopique
- Nivellement au moyen d'un niveau intégré
- Commande électronique par bouton-poussoir

HAUTEUR DE 3,400 mm À 4,900 mm

## ELEKTRISCHES TELESKOP LIFT

### TECHNISCHE EIGENSCHAFTEN

- Aluminiumstruktur
- Höhe von 3400 mm bis 4900 mm
- Max. Tragfähigkeit von 120 kg bis 90 kg
- Bodenverstellung
- Mit Teleskopstativ
- Nivellierung mit eingebauter Libelle
- Elektronische Drucktastensteuerung

HÖHE VON 3400 mm BIS 4900 mm

TECHNICAL DATA		
MODEL	GIRAFFA 300	GIRAFFA 400
MAX CAPACITY BETWEEN HEIGHT AND LOAD CAPACITY	3 m - 130 kg   3.30 m - 120 kg	3 m - 140 kg   4 m - 130 kg   4,9 m - 90 kg
SINGLE-PHASE	230V	230V
AMPERAGE	4A	4A
WEIGHT OF THE POLE	21 kg	38 kg
WEIGHT OF PLATFORM	5.3 kg	5.3 kg
HEIGHT BENDED	950mm	1190mm
TOTAL HEIGHT	3400mm	4900mm
CLOSED STAND	300 x 300 mm	380 x 380 mm
EXTENDED STAND	1110 x 1110 mm	1500 x 1400 mm
MAXIMUM LOAD	130 kg	90 kg
CONTROL CABLE JOYSTICK	3.3m	3.3m
POWER CABLE	2.7m	2.7m
WEIGHT [KG]	29.8 kg	38 kg



Ideal for the installation of outdoor and indoor units, heat recovery units, wall boilers, round ducts and metal ducts.

CODE	DESCRIPTION	U.M.	Pieces per box
11100203	TELESCOPING ELECTRIC HOIST GIRAFFA 300	PCS	1
11100220	TELESCOPING ELECTRIC HOIST "GIRAFFA 400"	PCS	1

[Datasheet](#)



## SBR - INSULATION AND VIBRATION-DAMPING MAT PANEL IN VULCANISED RUBBER

## TAPIS ISOLANT ET ANTI-VIBRATIONS EN CAOUTCHOUC VULCANISÉ

## SBR - ISOLIER- UND ANTI-VIBRATIONSMATTENPLATTE AUS VULKANISIERTEM GUMMI



This kit is composed of 5 wheels

CODE	DESCRIPTION	U.M.	Pieces per box
SCC600021	SPECIAL WRENCH FOR FIXING EXTERNAL UNITS	KIT	1

[Datasheet](#)



 **ABS PLASTIC SPLIT MOUNTING BRACKET**

**TECHNICAL SPECIFICATIONS**

- ABS plastic yellow
- Equipped with split protection caps
- Equipped with support case
- Can be used on all splits on the market
- Dimensions 72 x 16 cm
- Weight 3 kg

 **SUPPORT AU MUR POUR MONTAGE SPLIT EN PLASTIQUE ABS**

**CARACTÉRISTIQUES TECHNIQUES**

- Plastique ABS jaune
- Équipé de capuchons de protection fendus
- Équipé d'un étui pour le soutien
- Peut être utilisé sur tous les splits du commerce
- 72 cm x 16 cm
- Poids 3 kg

 **WANDKONSOLE ZUR MONTAGE VON KUNSTSTOFF-SPLIT ABS**

**TECHNISCHE EIGENSCHAFTEN**

- Gelber ABS-Kunststoff
- Mit Split-Schutzhauben
- Mit Gehäuse für WANDKONSOLE
- Kann für alle handelsüblichen Splits verwendet werden
- Abmessungen 72 cm x 16 cm
- Gewicht 3 kg



**YOU CAN NOW INSTALL THE SPLIT YOURSELF!**




**Rapid attachment to the template**

**Does not damage walls**

**Can be used on all splits on the market**

**Datasheet**



CODE	DESCRIPTION	U.M.	 Pieces per box
SCC600009	ABS PLASTIC SUPPORT FOR ASSEMBLING SPLIT UNITS	PCS	1

## ROOF PASSAGE

### TECHNICAL SPECIFICATIONS

- Made of ivory ABS+PMMA plastic
- Equipped with internal wall bracket that guarantees correct pipe curvature
- High thermal stability
- Resistant to weathering and ageing

## PASSAGE DE TOIT TSPAT

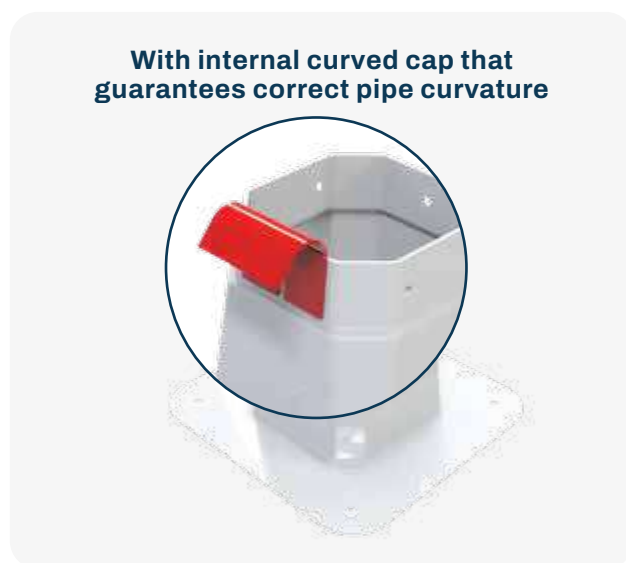
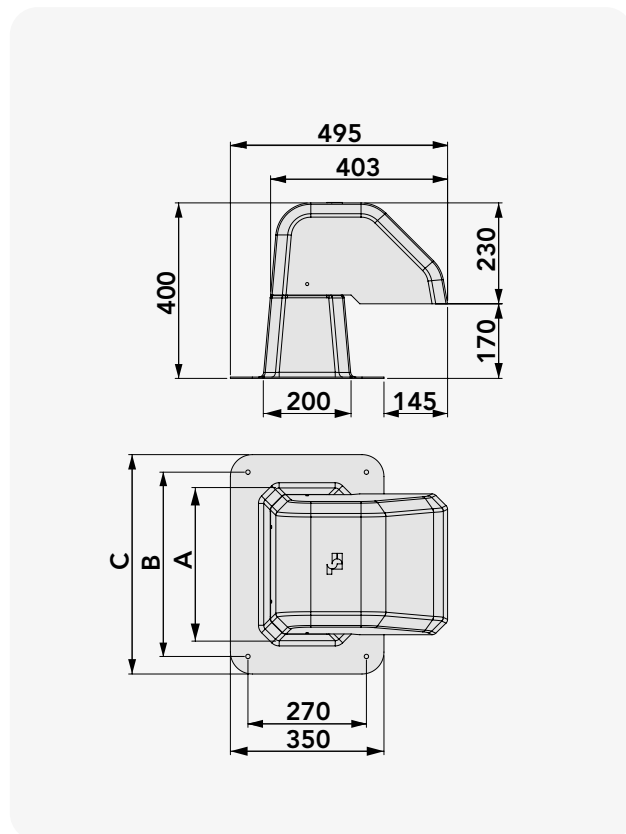
### CARACTÉRISTIQUES TECHNIQUES



- Fabriqué en ABS ivoire + plastique PMMA
- Équipé d'un support interne qui garantit une courbure correcte des tuyaux
- Haute stabilité thermique
- Résistant aux intempéries et au vieillissement

## DACHDURCHGANG

### TECHNISCHE EIGENSCHAFTEN

- Aus elfenbeinfarbenem ABS+PMMA-Kunststoff
- Mit einer internen Wandkonsole, die eine korrekte Krümmung der Rohre garantiert
- Hohe thermische Stabilität
- Wetterfest und alterungsbeständig



CODE	DESCRIPTION	DIMENSIONS [mm]			U.M.	 Pieces per box	
		A	B	C			
SCD100134	FITTING THROUGH ROOF "TSPAT" - 200x200x430	200	270	350	PCS	1	
SCD100135	FITTING THROUGH ROOF "TSPAT" - 350x200x430	350	420	500	PCS	1	



## 🇬🇧 PVC PLASTIC OUTDOOR UNIT COVER CABINET

### TECHNICAL SPECIFICATIONS

- PVC plastic with wood effect
- Available in 2 sizes

## 🇫🇷 ARMOIRE COUVRE UNITÉ EXTÉRIEURE EN PLASTIQUE PVC

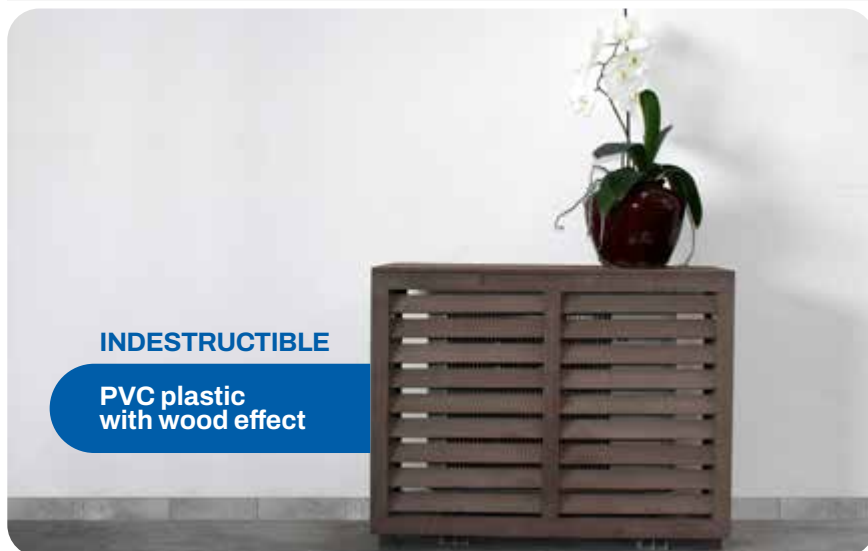
### CARACTÉRISTIQUES TECHNIQUES

- Plastique PVC avec effet bois
- Disponible en 2 tailles

## 🇩🇪 AUSSENGERÄTEABDECKUNG AUS PVC-KUNSTSTOFF

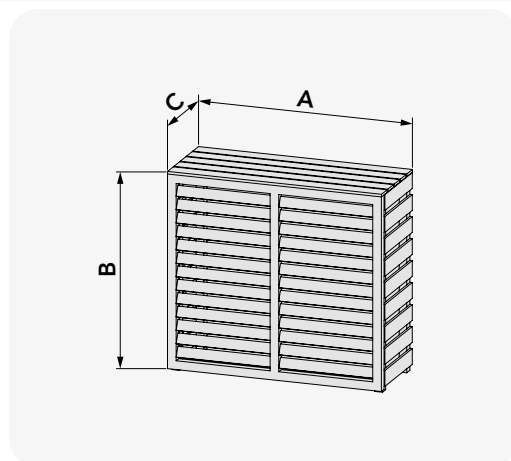
### TECHNISCHE EIGENSCHAFTEN

- PVC-Kunststoff mit Holz-Effekt
- Erhältlich in 2 Größen



**INDESTRUCTIBLE**

**PVC plastic with wood effect**



**For outdoor units**

CODE	DESCRIPTION	EXTERNAL DIMENSIONS [mm]			INTERNAL DIMENSIONS [mm]			U.M.	Pieces per box
		A	B	C	A	B	C		
SCC600001	CABINET IN PVC "SCUDO SMALL"	885	691	345	785	680	295	PCS	1
SCC600002	CABINET IN PVC "SCUDO BIG"	990	911	395	895	900	345	PCS	1

**Datasheet**



## 🇬🇧 COVER FOR CONDENSING UNIT

## 🇫🇷 BÂCHE POUR COUVERTURE MOTO CONDENSATEUR

## 🇩🇪 ABDECKUNG FÜR MOTOR-KONDENSATOR



Rear view with holes for ventilation to stop condensation building up

Front view

**For outdoor units**

**Available in 7 sizes**

**Holes for ventilation on rear side**

CODE	DESCRIPTION	DIMENSIONS [mm]			U.M.	Pieces per box
		L	H	P		
12000005	COVER FOR COMPRESSOR/CONDENSING UNITS MOD. A (mm.770x530x260)	770	530	260	PCS	1
12000006	COVER FOR COMPRESSOR/CONDENSING UNITS MOD. B (mm.870x530x280)	870	530	280	PCS	1
12000007	COVER FOR COMPRESSOR/CONDENSING UNITS MOD. C (mm.880x530x330)	880	530	330	PCS	1
12000008	COVER FOR COMPRESSOR/CONDENSING UNITS MOD. D (mm.880x620x400)	880	620	400	PCS	1
12000009	COVER FOR COMPRESSOR/CONDENSING UNITS MOD. E (mm.950x890x370)	950	890	370	PCS	1
SCD600006	COVER FOR COMPRESSOR/CONDENSING UNITS MOD. 7 (mm.1000x800x400)	1000	800	400	PCS	1
SCD600007	COVER FOR COMPRESSOR/CONDENSING UNITS MOD. G (mm.1100x1100x400)	1100	1100	400	PCS	1

**Datasheet**







**COMPLETE RANGE  
OF CAGES  
FOR OUTDOOR UNIT**





Without cage



With cage



Easy to assemble



Anti-UVA



High-resistance



Noise reduction



Sophisticated Design



Paintable models



Customisable

only for models  
on page 226-228



## 🇬🇧 CAGE WITH FLAT ROOF

### TECHNICAL SPECIFICATIONS

- Galvanised sheet made with anti-intrusion weave
- External polyester painting RAL 9002
- Galvanised metal sheet roof with anti-intrusion weft
- Ready for transit of duct, tubing and wiring
- Side hatch for inspection and maintenance with padlock
- Ready for wall mounting
- Height-adjustable
- Easy to assemble
- Matt RAL 7016 grey version, available on request

## 🇫🇷 CACHE CLIM À TOIT PLAT COULEUR

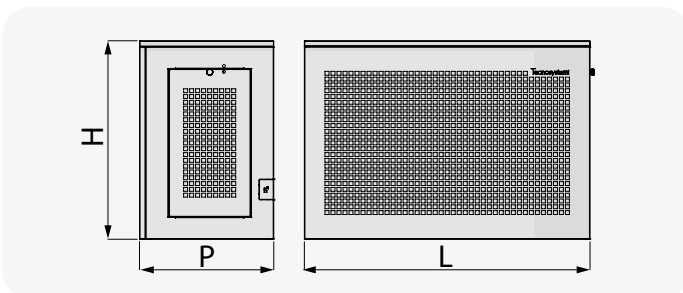
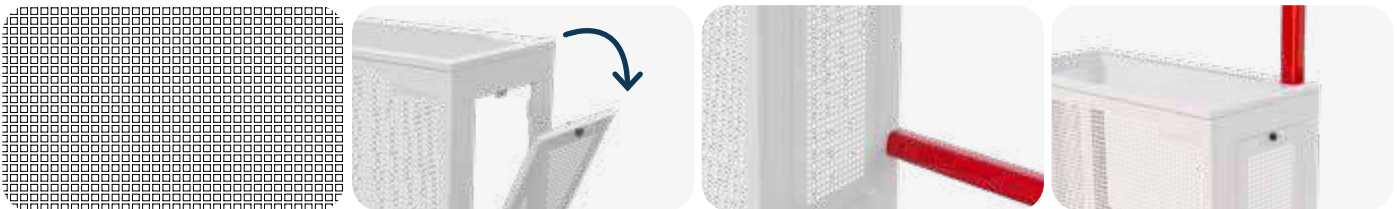
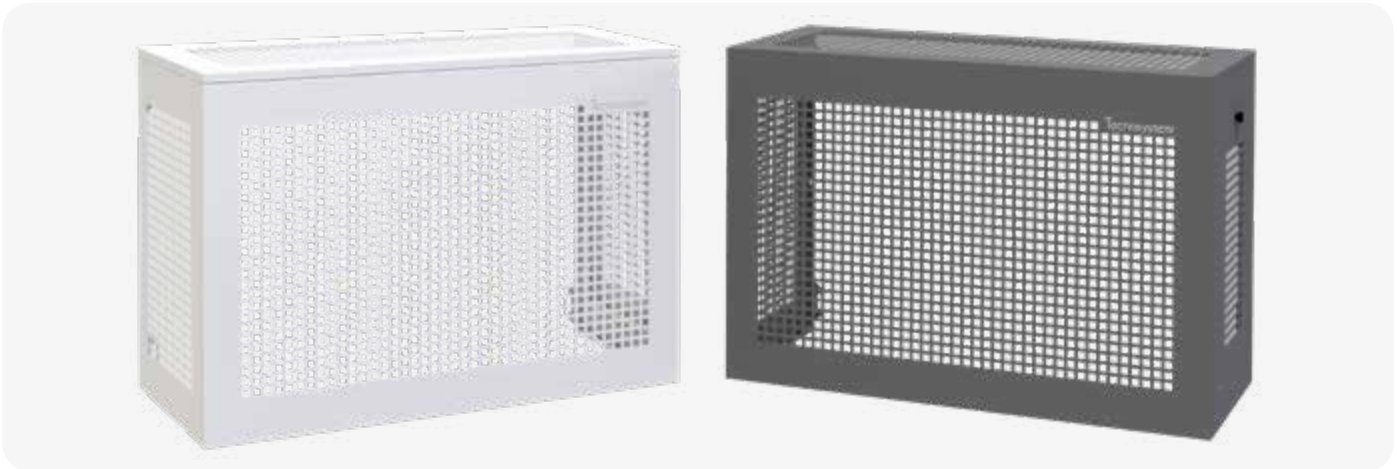
### CARACTÉRISTIQUES TECHNIQUES

- Tôle galvanisée fabriquée avec une trame anti-intrusion
- Peinture polyester d'extérieur RAL 9002
- Toit en tôle galvanisée avec trame anti-intrusion
- Prédiposition pour le passage du conduit de tuyauterie et du câblage
- Porte latérale pour l'inspection et l'entretien préparée pour le cadenas
- Prédiposition pour montage mural
- Réglable en hauteur
- Facile à assembler
- Version gris mat RAL 7016, disponible sur demande

## 🇩🇪 GEHÄUSE MIT FLACHDACH ELFENBEINFARBE

### TECHNISCHE EIGENSCHAFTEN

- Verzinktes Blech mit eindringssicherer Bindung
- Polyesterbeschichtung für den Außenbereich RAL 9002
- Verzinktes Blechdach mit Einbruchschutzgewebe
- Vorbereitet für den Durchgang von Rohrleitungs kanal und Verkabelungen
- Seitentür für Inspektion und Wartung mit Vorhängeschloss
- Vorbereitet für Wandmontage
- Höhenverstellbar
- Einfache Montage
- Version Grau RAL 7016 matt, auf Anfrage erhältlich



Back and bottom free

On request in Grey version

CODE	DESCRIPTION	COLOUR	DIMENSIONS [mm]			U.M.	Pieces per box
			L	H	P		
SCD500114	"GUSCIO H720" SECURITY CAGE FOR OUTDOOR UNIT WITH PATTERNED TOP - IVORY	IVORY RAL 9002	1000	720	470	PCS	1
SCD500115	"GUSCIO H1120" SECURITY CAGE FOR OUTDOOR UNIT WITH PATTERNED TOP - IVORY	IVORY RAL 9002	1100	1120	620	PCS	1
SCD500116	"GUSCIO H1420" SECURITY CAGE FOR OUTDOOR UNIT WITH PATTERNED TOP - IVORY	IVORY RAL 9002	1100	1420	620	PCS	1
SCD500126	"GUSCIO H720" SECURITY CAGE FOR OUTDOOR UNIT WITH PATTERNED TOP - GREY	LIGHT GREY RAL 7016	1000	720	470	PCS	1
SCD500127	"GUSCIO H1120" SECURITY CAGE FOR OUTDOOR UNIT WITH PATTERNED TOP - GREY	LIGHT GREY RAL 7016	1100	1120	620	PCS	1
SCD500128	"GUSCIO H1420" SECURITY CAGE FOR OUTDOOR UNIT WITH PATTERNED TOP - GREY	LIGHT GREY RAL 7016	1100	1420	620	PCS	1

Datasheet



## 🇬🇧 CAGE WITH 5° SLOPED ROOF

### TECHNICAL SPECIFICATIONS

- Galvanised sheet made with anti-intrusion weave
- External polyester painting RAL 9002
- Galvanised metal sheet roof with anti-intrusion weft
- Ready for transit of duct, tubing and wiring
- Side hatch for inspection and maintenance with padlock
- Ready for wall mounting
- Height-adjustable
- Easy to assemble

## 🇫🇷 CACHE CLIM AVEC TOIT INCLINÉ 5°

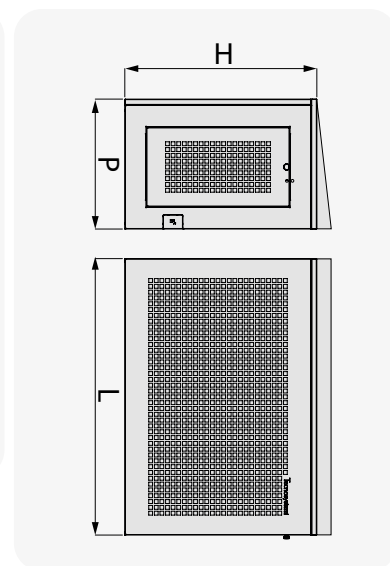
### CARACTÉRISTIQUES TECHNIQUES

- Tôle galvanisée fabriquée avec une trame anti-intrusion
- Peinture polyester d'extérieur RAL 9002
- Toit en tôle galvanisée avec trame anti-intrusion
- Prédiposition pour le passage du conduit de tuyauterie et du câblage
- Porte latérale pour l'inspection et l'entretien préparée pour le cadenas
- Prédiposition pour montage mural
- Réglable en hauteur
- Facile à assembler

## 🇩🇪 GEHÄUSE MIT 5° SCHRÄGDACH ELFENBEINFARBE

### TECHNISCHE EIGENSCHAFTEN

- Verzinktes Blech mit eindringssicherer Bindung
- Polyesterbeschichtung für den Außenbereich RAL 9002
- Verzinktes Blechdach mit Einbruchschutzgewebe
- Vorbereitet für den Durchgang von Rohrleitungskanal und Verkabelungen
- Seitentür für Inspektion und Wartung mit Vorhängeschloss
- Vorbereitet für Wandmontage
- Höhenverstellbar
- Einfache Montage



Back and bottom free

On request in Grey version

CODE	DESCRIPTION	COLOUR	DIMENSIONS [mm]			U.M.	Pieces per box
			L	H	P		
SCD500129	"GUSCIO H720" SECURITY CAGE FOR OUTDOOR UNIT WITH SMOOTH 5° INCLINED TOP - IVORY	IVORY RAL 9002	1000	720	470	PCS	1
SCD500130	"GUSCIO H1120" SECURITY CAGE FOR OUTDOOR UNIT WITH SMOOTH 5° INCLINED TOP - IVORY	IVORY RAL 9002	1100	1120	620	PCS	1
SCD500131	"GUSCIO H1420" SECURITY CAGE FOR OUTDOOR UNIT WITH SMOOTH 5° INCLINED TOP - IVORY	IVORY RAL 9002	1100	1420	620	PCS	1
SCD500132	"GUSCIO H720" SECURITY CAGE FOR OUTDOOR UNIT WITH SMOOTH 5° INCLINED TOP - GREY	MATT GREY RAL 7016	1000	720	470	PCS	1
SCD500133	"GUSCIO H1120" SECURITY CAGE FOR OUTDOOR UNIT WITH SMOOTH 5° INCLINED TOP - GREY	MATT GREY RAL 7016	1100	1120	620	PCS	1
SCD500134	"GUSCIO H1420" SECURITY CAGE FOR OUTDOOR UNIT WITH SMOOTH 5° INCLINED TOP - GREY	MATT GREY RAL 7016	1100	1420	620	PCS	1

Virtual reality



Datasheet



## ACCESSORIES FOR ANTI-INTRUSION CAGES "GUSCIO" MODEL

CODE	DESCRIPTION	COLOUR	U.M.	Pieces per box
SCD500136	BOTTOM FOR CAGE "GUSCIO H1120/1420" - IVORY	IVORY RAL 9002	PCS	1
SCD500138	BOTTOM FOR CAGE "GUSCIO H720" - GREY	IVORY RAL 9002	PCS	1
SCD500139	BOTTOM FOR CAGE "GUSCIO H1120/1420" - GREY	MATT GREY RAL 7016	PCS	1
SCD500142	BACK PANEL FOR CAGE "GUSCIO H720" - IVORY	MATT GREY RAL 7016	PCS	1
SCD500143	BACK PANEL FOR CAGE "GUSCIO H1120" - IVORY	MATT GREY RAL 7016	PCS	1
SCD500144	BACK PANEL FOR CAGE "GUSCIO H1420" - IVORY	IVORY RAL 9002	PCS	1
SCD500145	BACK PANEL FOR CAGE "GUSCIO H720" - GREY	IVORY RAL 9002	PCS	1
SCD500146	BACK PANEL FOR CAGE "GUSCIO H1120" - GREY	MATT GREY RAL 7016	PCS	1
SCD500147	BACK PANEL FOR CAGE "GUSCIO H1420" - GREY	MATT GREY RAL 7016	PCS	1





## CAGE WITH FLAT ROOF

### TECHNICAL SPECIFICATIONS

- Galvanised sheet made with anti-intrusion weave
- External polyester painting
- Side arrangement for pipe duct passage and wiring
- Ready for wall mounting
- Easy to assemble
- Back and bottom are available on request

## CACHE CLIM À TOIT PLAT COULEUR

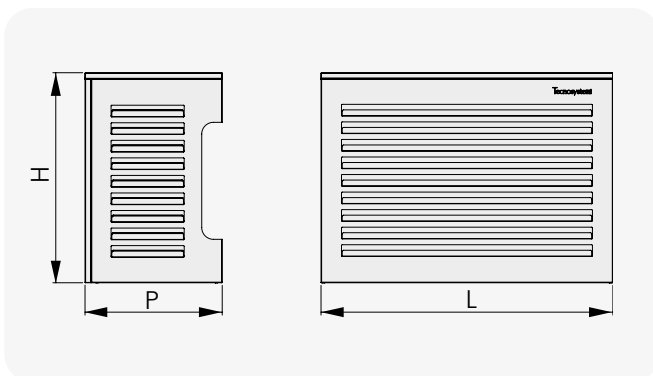
### CARACTÉRISTIQUES TECHNIQUES

- Tôle galvanisée fabriquée avec une trame anti-intrusion
- Peinture polyester d'extérieur
- Préparation latérale pour le passage de la canalisation et le câblage
- Prédiposition pour montage mural
- Facile à assembler
- Dos et bas disponibles sur demande

## GEHÄUSE MIT FLACHDACH ELFENBEINFARBE

### TECHNISCHE EIGENSCHAFTEN

- Verzinktes Blech mit eindringssicherer Bindung
- Polyesterbeschichtung für den Außenbereich
- Seitentür für Inspektion und Wartung mit Vorhängeschloss
- Vorbereitet für Wandmontage
- Einfache Montage
- Rückseite und Boden auf Anfrage erhältlich



Virtual reality



Back and bottom free

Available on request

CODE	DESCRIPTION	COLOUR	DIMENSIONS [mm]			U.M.	Pieces per box
			L	H	P		
SCD500171	"TS COVER" SMALL CASE WITH FLAT TOP -IVORY	IVORY RAL 9002	900	700	500	PCS	1
SCD500172	"TS COVER" MEDIUM CASE WITH FLAT TOP -IVORY	IVORY RAL 9002	1100	850	600	PCS	1
SCD500173	"TS COVER" LARGE CASE WITH FLAT TOP -IVORY	IVORY RAL 9002	1150	1200	650	PCS	1
SCD500174	"TS COVER" X-LARGE CASE WITH FLAT TOP -IVORY	IVORY RAL 9002	1200	1500	750	PCS	1
SCD500175	"TS COVER" SMALL CASE WITH FLAT TOP - MATT GREY 7016	MATT GREY RAL 7016	900	700	500	PCS	1
SCD500176	"TS COVER" MEDIUM CASE WITH FLAT TOP - MATT GREY 7016	MATT GREY RAL 7016	1100	850	600	PCS	1
SCD500177	"TS COVER" LARGE CASE WITH FLAT TOP - MATT GREY 7016	MATT GREY RAL 7016	1150	1200	650	PCS	1
SCD500178	"TS COVER" X-LARGE CASE WITH FLAT TOP - MATT GREY 7016	MATT GREY RAL 7016	1200	1500	750	PCS	1

Datasheet Ivory



Datasheet Grey





## 🇬🇧 CAGE WITH 5° SLOPED ROOF

### TECHNICAL SPECIFICATIONS

- Galvanised sheet made with anti-intrusion weave
- External polyester painting
- Side arrangement for pipe duct passage and wiring
- Ready for wall mounting
- Easy to assemble
- Back and bottom are available on request

## 🇫🇷 CACHE CLIM AVEC TOIT INCLINÉ 5°

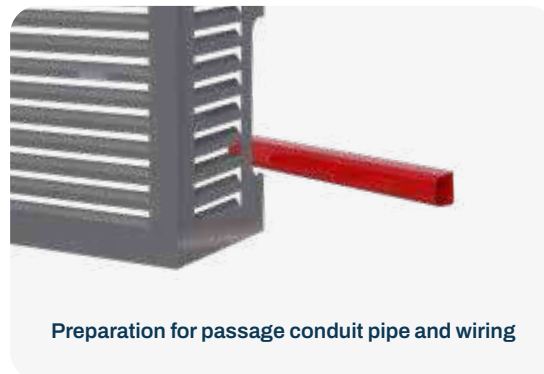
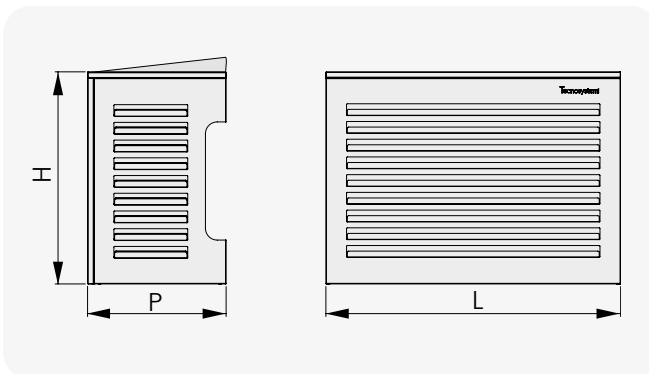
### CARACTÉRISTIQUES TECHNIQUES

- Tôle galvanisée fabriquée avec une trame anti-intrusion
- Peinture polyester d'extérieur
- Préparation latérale pour le passage de la canalisation et le câblage
- Prédiposition pour montage mural
- Facile à assembler
- Dos et bas disponibles sur demande

## 🇩🇪 GEHÄUSE MIT 5° SCHRÄGDACH ELFENBEINFARBE

### TECHNISCHE EIGENSCHAFTEN

- Verzinktes Blech mit eindringssicherer Bindung
- Polyesterbeschichtung für den Außenbereich
- Seitentür für Inspektion und Wartung mit Vorhängeschloss
- Vorbereitet für Wandmontage
- Einfache Montage
- Rückseite und Boden auf Anfrage erhältlich



Virtual reality



Back and bottom free

Available on request

CODE	DESCRIPTION	COLOUR	DIMENSIONS [mm]			U.M.	Pieces per box
			L	H	P		
SCD500163	"TS COVER" SMALL CASE WITH 5° INCLINED TOP-IVORY	IVORY RAL 9002	900	700	500	PCS	1
SCD500164	"TS COVER" MEDIUM CASE WITH 5° INCLINED TOP-IVORY	IVORY RAL 9002	1100	850	600	PCS	1
SCD500165	"TS COVER" LARGE CASE WITH 5° INCLINED TOP-IVORY	IVORY RAL 9002	1150	1200	650	PCS	1
SCD500166	"TS COVER" X-LARGE WITH 5° INCLINED TOP-IVORY	IVORY RAL 9002	1200	1500	750	PCS	1
SCD500167	"TS COVER" SMALL CASE WITH 5° INCLINED TOP - MATT GREY 7016	MATT GREY 7016	900	700	500	PCS	1
SCD500168	"TS COVER" MEDIUM CASE WITH 5° INCLINED TOP - MATT GREY 7016	MATT GREY 7016	1100	850	600	PCS	1
SCD500169	"TS COVER" LARGE CASE WITH 5° INCLINED TOP - MATT GREY 7016	MATT GREY 7016	1150	1200	650	PCS	1
SCD500170	"TS COVER" X-LARGE CASE WITH 5° INCLINED TOP - MATT GREY 7016	MATT GREY 7016	1200	1500	750	PCS	1

Datasheet Ivory



Datasheet Grey



**FREESTANDING FINISHING PROTECTION FOR OUTDOOR UNIT WITH 5° TILTED ROOF**

**TECHNICAL SPECIFICATIONS**

- Galvanized sheet with longitudinal opening for ventilation
- External polyester painting
- Predisposition for lateral passage pipe duct and wiring
- Includes side inspection and maintenance door
- Ideal for installation of external drives on Infinity floor mounts (e.g. SCD500012, SCD500013)
- Easy to assemble

**CACHE CLIM À 4 CÔTES POUR LES UNITÉS EXTÉRIEURES AVEC TOIT INCLINÉ 5°**

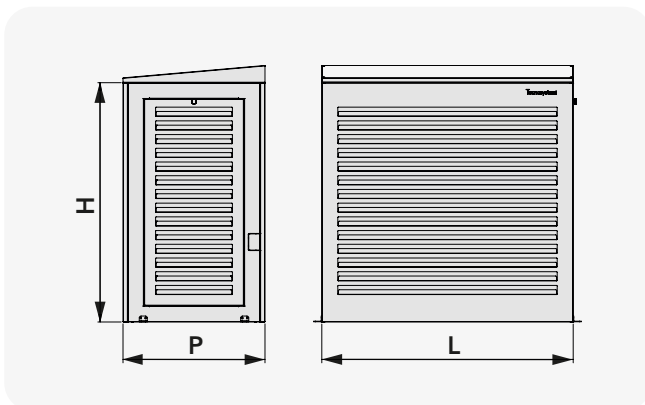
**CARACTÉRISTIQUES TECHNIQUES**

- Tôle galvanisée réalisée avec ouverture longitudinale pour la ventilation
- Peinture polyester d'extérieur
- Préparation pour passage latéral de canalisation et câblage
- Livré avec porte latérale pour inspection et maintenance
- Idéal pour l'installation d'unités externes sur des supports de sol Infinity (par ex. SCD500012, SCD500013)
- Facile à assembler

**ÄSTHETISCHE SCHUTZABDECKUNG FÜR AUSSENGERÄT MIT SCHRÄGDACH 5°**

**TECHNISCHE EIGENSCHAFTEN**

- Verzinktes Blech mit Längsöffnung zur Belüftung
- Polyesterbeschichtung für den Außenbereich
- Vorbereitung für seitliche Rohrleitung und Verkabelung
- Komplett mit seitlicher Inspektions- und Wartungstür
- Ideal für die Installation von Außengeräten auf Infinity-Bodenhaltern (z. B. SCD500012, SCD500013)
- Einfache Montage



Ideal for installation of Infinity outdoor units on floor stands (e.g. SCD500012, SCD500013)

CODE	DESCRIPTION	COLOUR	DIMENSIONS [mm]			U.M.	Pieces per box
			L	H	P		
SCD500275	FREE-STANDING SECURITY CAGE TS-COVER L1100xH1050xP600 + INSPECTION HATCH - IVORY	IVORY RAL 9002	1100	1050	600	PCS	1
SCD500276	FREE-STANDING SECURITY CAGE TS-COVER L1100xH1050xP600 + INSPECTION HATCH - GREY	MATT GREY 7016	1100	1050	600	PCS	1



 **WALL-MOUNTED SOUNDPROOF CAGE**

**TECHNICAL SPECIFICATIONS**

- Galvanized sheet with longitudinal opening for ventilation
- External polyester painting
- Coated internally with sound-absorbing material that guarantees better performance in terms of sound insulation
- Predisposition for lateral passage pipe duct and wiring
- Easy to assemble
- Certified noise reduction of up to 9.4 dB(A)

 **CAGE INSONORISÉE MURALE**

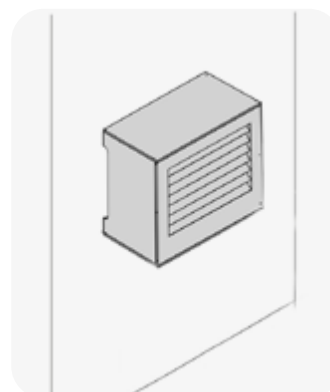
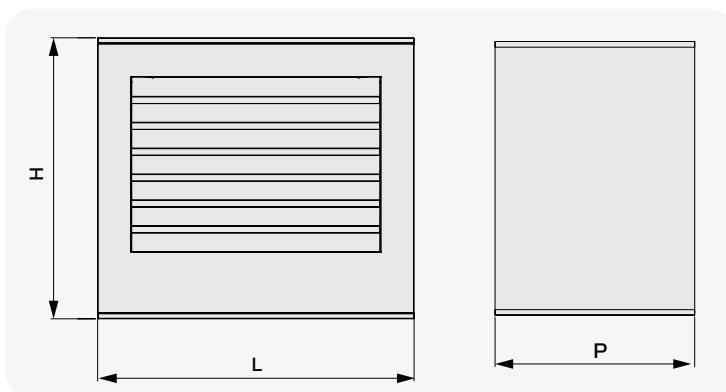
**CARACTÉRISTIQUES TECHNIQUES**


- Tôle galvanisée réalisée avec ouverture longitudinale pour la ventilation
- Peinture polyester d'extérieur
- Revêtue à l'intérieur d'un matériau insonorisant qui garantit un meilleur rendement en termes d'isolation acoustique
- Préparation pour passage latéral de canalisation et câblage
- Facile à assembler
- Réduction du bruit jusqu'à 9,4 dB(A) certifiée

 **SCHALLGEDÄMMTER GEHÄUSE FÜR WANDMONTAGE**

**TECHNISCHE EIGENSCHAFTEN**

- Verzinktes Blech mit Längsöffnung zur Belüftung
- Polyesterbeschichtung für den Außenbereich
- Innen mit schallabsorbierendem Material beschichtet, das eine bessere Leistung in Bezug auf die Schalldämmung gewährleistet
- Vorbereitung für seitliche Rohrleitung und Verkabelung
- Einfache Montage
- Reduzierung des Geräuschpegels bis zu 9,4 dB(A) zertifiziert





**Noise reduction up to 9.4 dB(A)**

**Ideal for wall installations**

**Datasheet**



CODE	DESCRIPTION	COLOUR	DIMENSIONS [mm]			U.M.	Pieces per box
			L	H	P		
SCD500446	TS-COVER SILENT WALL - IVORY	IVORY RAL 9002	1150	1020	600	PCS	1
SCD500447	TS-COVER SILENT WALL - GREY	GREY RAL 7016	1150	1020	600	PCS	1

# TS-COVER SILENT FLOOR

NEW

MADE IN ITALY

## 🇬🇧 SOUNDPROOF CAGE ON THE FLOOR

### TECHNICAL SPECIFICATIONS

- Galvanized sheet with longitudinal opening for ventilation
- External polyester painting
- Coated internally with sound-absorbing material that guarantees better performance in terms of sound insulation
- Predisposition for lateral passage pipe duct and wiring
- Easy to assemble
- Certified noise reduction of up to 9.4 dB(A)

## 🇫🇷 CAGE INSONORISÉE AU SOL

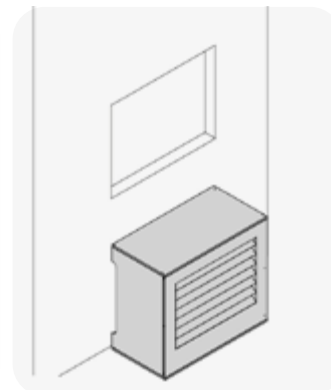
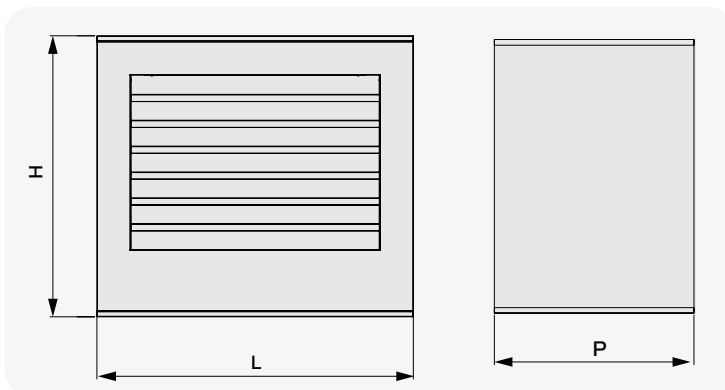
### CARACTÉRISTIQUES TECHNIQUES

- Tôle galvanisée réalisée avec ouverture longitudinale pour la ventilation
- Peinture polyester d'extérieur
- Revêtu à l'intérieur d'un matériau insonorisant qui garantit un meilleur rendement en termes d'isolation acoustique
- Préparation pour passage latéral de canalisation et câblage
- Facile à assembler
- Réduction du bruit jusqu'à 9,4 dB(A) certifiée

## 🇩🇪 SCHALLGEDÄMMTER GEHÄUSE FÜR BODENMONTAGE

### TECHNISCHE EIGENSCHAFTEN

- Verzinktes Blech mit Längsöffnung zur Belüftung
- Polyesterbeschichtung für den Außenbereich
- Innen mit schallabsorbierendem Material beschichtet, das eine bessere Leistung in Bezug auf die Schalldämmung gewährleistet
- Vorbereitung für seitliche Rohrleitung und Verkabelung
- Einfache Montage
- Reduzierung des Geräuschpegels bis zu 9,4 dB(A) zertifiziert



Noise reduction  
up to 9.4 dB(A)

Ideal for wall installations  
requiring floor coverage

Datasheet



CODE	DESCRIPTION	COLOUR	DIMENSIONS [mm]			U.M.	Pieces per box
			L	H	P		
SCD500448	TS-COVER SILENT FLOOR - IVORY	IVORY RAL 9002	1150	1020	600	PCS	1
SCD500449	TS-COVER SILENT FLOOR - GREY	GREY RAL 7016	1150	1020	600	PCS	1



# TS-COVER SILENT BOX

NEW

MADE IN ITALY

## 🇬🇧 SOUNDPROOF BOX CAGE

### TECHNICAL SPECIFICATIONS

- Galvanized sheet with longitudinal opening for ventilation
- External polyester painting
- Coated internally with sound-absorbing material that guarantees better performance in terms of sound insulation
- Predisposition for lateral passage pipe duct and wiring
- Easy to assemble
- Certified noise reduction of up to 13.3 dB(A)

## 🇫🇷 CAGE INSONORISÉE BOX

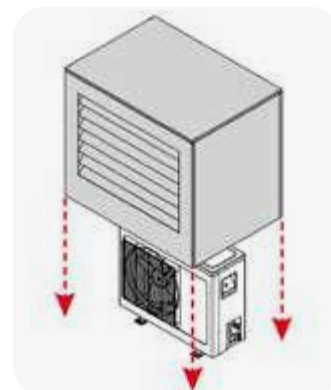
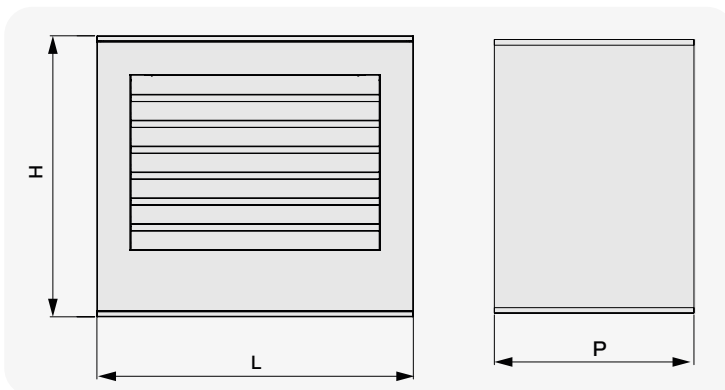
### CARACTÉRISTIQUES TECHNIQUES

- Tôle galvanisée réalisée avec ouverture longitudinale pour la ventilation
- Peinture polyester d'extérieur
- Revêtue à l'intérieur d'un matériau insonorisant qui garantit un meilleur rendement en termes d'isolation acoustique
- Préparation pour passage latéral de canalisation et câblage
- Facile à assembler
- Réduction du bruit jusqu'à 13.3 dB(A) certifiée

## 🇩🇪 SCHALLGEDÄMMTER GEHÄUSE FÜR BOX

### TECHNISCHE EIGENSCHAFTEN

- Verzinktes Blech mit Längsöffnung zur Belüftung
- Polyesterbeschichtung für den Außenbereich
- Innen mit schallabsorbierendem Material beschichtet, das eine bessere Leistung in Bezug auf die Schalldämmung gewährleistet
- Vorbereitung für seitliche Rohrleitung und Verkabelung
- Einfache Montage
- Reduzierung des Geräuschpegels bis zu 13.3 dB(A) zertifiziert



**Noise reduction  
up to 13.3 dB(A)**

**Ideal for ground-mounted  
outdoor units**

Datasheet



CODE	DESCRIPTION	COLOUR	DIMENSIONS [mm]			U.M.	Pieces per box
			L	H	P		
SCD500450	TS-COVER SILENT BOX - IVORY	IVORY RAL 9002	1150	1020	810	PCS	1
SCD500451	TS-COVER SILENT BOX - GREY	GREY RAL 7016	1150	1020	810	PCS	1

## FOAMED PVC PIPE INSULATION TAPE

### TECHNICAL SPECIFICATIONS

- Made of foamed PVC
- Fire behaviour D.M. 26.06.84 (UNI 9177): CL 2, NFPA 701 Test 2
- Specific weight: 1300 g/m<sup>2</sup>
- Thickness 3 mm
- Working temperature: -20 / +70 °C
- Thermal conductivity: 4 W/m<sup>2</sup>.K
- Excellent thermal insulation properties

## BANDE ISOLANT COUVRE-TUYAUX EN PVC EXPANSÉ

### CARACTÉRISTIQUES TECHNIQUES

- Fabriqué en PVC expansé
- Comportement à la flamme D.M. 26.06.84 (UNI 9177): CL 2, NFPA 701 Test 2
- Poids spécifique: 1300 g/m<sup>2</sup>
- Épaisseur 3 mm
- Température de fonctionnement: -20 / +70 °C
- Conductivité thermique : 4 W/m<sup>2</sup>.K
- Excellentes propriétés d'isolation thermique

## ISOLIERBAND FÜR ROHRE AUS PVC-SCHAUM

### TECHNISCHE EIGENSCHAFTEN

- Aus PVC-schaum
- Flammenverhalten: D.M. 26.06.84 (UNI 9177): CL 2, NFPA 701 Test 2
- Spezifisches Gewicht: 1300 g/m<sup>2</sup>
- Dicke 3 mm
- Betriebstemperatur: -20 / +70 °C
- Wärmeleitfähigkeit: 4 W/m<sup>2</sup>.K
- Hervorragende Wärmedämmeigenschaften



CODE	DESCRIPTION	WIDTH [mm]	LENGTH [mm]	U.M.	Pieces per box
SCC600077	FOAMED PVC PIPE INSULATION TAPE - 21cm wide, 2 meter long, + 3 TIES FOR FIXING PIPES	210	2000	PCS	1
SCC600078	FOAMED PVC PIPE INSULATION TAPE - 21cm wide, 25 meter long, + 30 TIES FOR FIXING PIPES	210	25000	PCS	1

Datasheet



MADE IN ITALY

## TP800 / TP1000

## TP800 / TP1000 PROTECTION ROOF

### TECHNICAL SPECIFICATIONS

- Electrogalvanised sheet
- External polyester painting RAL 9002
- Ivory colour
- Fixing plugs supplied

## TOIT DE PROTECTION TP800 / TP1000

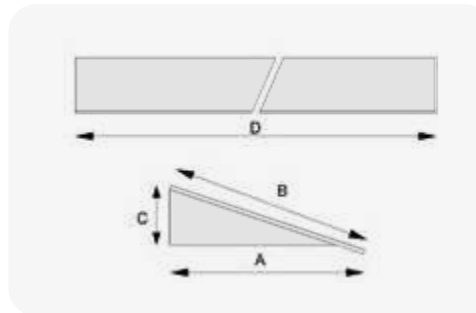
### CARACTÉRISTIQUES TECHNIQUES

- Tôle galvanisée
- Peinture polyester d'extérieur RAL 9002
- Couleur ivoire
- Chevilles de fixation fournies

## TP800 / TP1000 SCHUTZDACH

### TECHNISCHE EIGENSCHAFTEN

- Galvanisch verzinktes Blech
- Polyesterbeschichtung für den Außenbereich RAL 9002
- Elfenbeinfarben
- Mitgelieferte Befestigungsdübel



For outdoor units

Available in 2 sizes

CODE	DESCRIPTION	ROOF INCLINATION	DIMENSIONS [mm]				U.M.	Pieces per box
			A	B	C	D		
12000027	PROTECTIVE CANOPY TP 800 / 15°	15°	445	460	120	800	PCS	1
12000028	PROTECTIVE CANOPY TP 1000 / 15°	15°	545	560	120	1000	PCS	1
SCD600002	PROTECTIVE CANOPY TP 800 / 30°	30°	530	600	230	800	PCS	1
SCD600003	PROTECTIVE CANOPY TP 1000 / 30°	30°	530	600	230	1000	PCS	1

Datasheet



## RUBBER TAP COVER

## COUVERCLE DE ROBINET EN CAOUTCHOUC

## HAHNABDECKUNG AUS GUMMI



For outdoor units

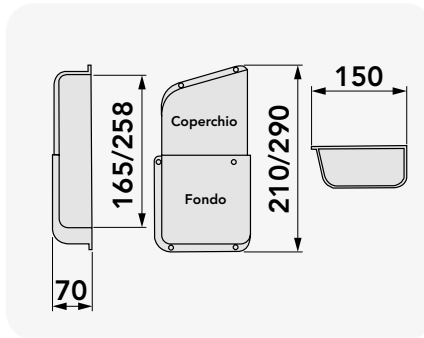
CODE	DESCRIPTION	U.M.	Pieces per box
12000037	VALVE COVER 1/4" - 1/2"	PCS	1
12000036	VALVE COVER 1/4" - 3/8"	PCS	1

Datasheet





TELESCOPIC



For outdoor units



Datasheet



CODE	DESCRIPTION	U.M.	Pieces per box
11128010	UNIVERSAL TELESCOPIC VALVE-COVER	PCS	1

**TECHNICAL SPECIFICATIONS**

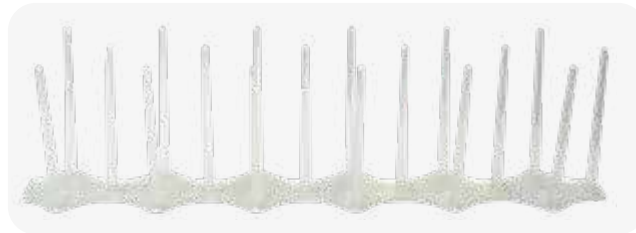
- Made of PVC
- Anti-roosting device height 90 mm
- Length 330 mm

**CARACTÉRISTIQUES TECHNIQUES**

- Fabriqué en PVC
- Hauteur des aiguilles de 90 mm
- Longueur 330 mm

**TECHNISCHE EIGENSCHAFTEN**

- Aus PVC
- Dornhöhe 90 mm
- Länge: 330 mm



  MADE IN ITALY

Datasheet



CODE	DESCRIPTION	U.M.	Pieces per box
12000055	ANTI-ROOSTING SPIKES	PCS	1

**TECHNICAL SPECIFICATIONS**

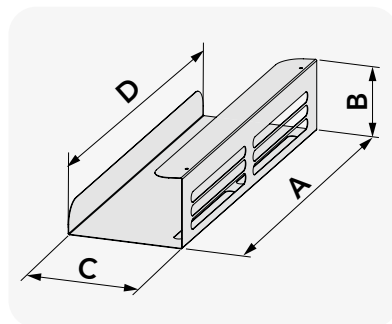
- Electrogalvanised sheet
- Painting polyester white RAL 9016
- Closed-cell polyethylene interior anti-condensation insulation (5mm thick)
- Fastenings not included

**CARACTÉRISTIQUES TECHNIQUES**

- Tôle galvanisée
- Peinture polyester blanche RAL 9016
- Isolation anti-condensation interne (épaisseur 5 mm) en polyéthylène à cellules fermées
- Fixations non incluses

**TECHNISCHE EIGENSCHAFTEN**

- Galvanisch verzinktes Blech
- Polyesterbeschichtung RAL 9016
- Geschlossenzellige Polyethylen-Isolierung gegen Kondenswasserbildung innen (5 mm dick)
- Befestigungen nicht im Lieferumfang enthalten



 Anticondensation

Datasheet

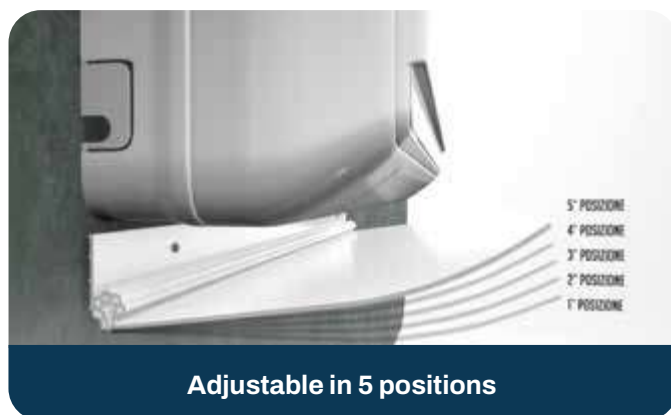
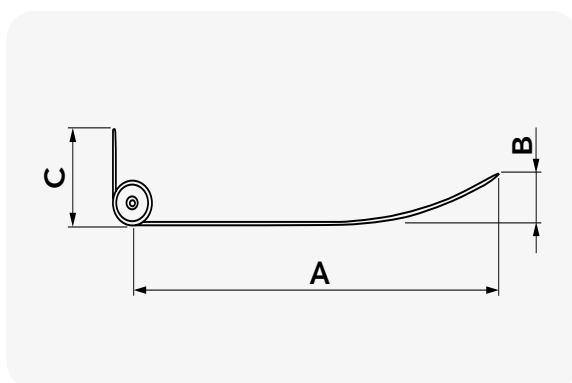
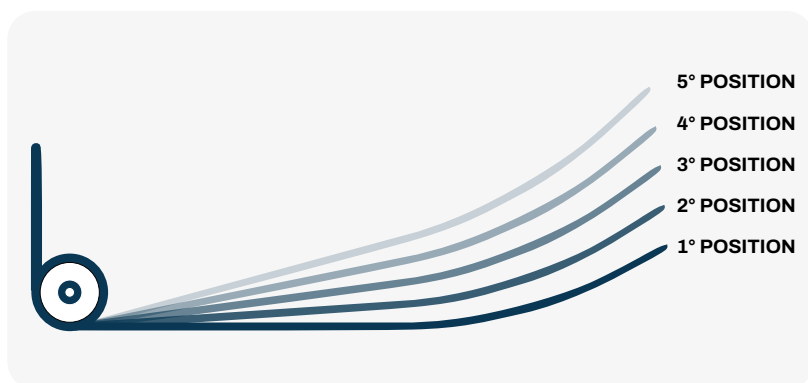


CODE	DESCRIPTION	DIMENSIONS [mm]				U.M.	Pieces per box
		A	B	C	D		
SCD600001	DEFLECTOR FOR CASSETTE UNITS (1 kit = 4 pcs)	530	105	170	530	PCS	1
SCD600020	DEFLECTOR SET FOR CASSETTE UNITS UP TO 60x60 (1 kit = 4 pcs)	530	105	170	200	PCS	1

 **ADJUSTABLE FLOW DEFLECTOR FOR INDOOR UNIT**

 **DÉFLECTEUR DE FLUX RÉGLABLE POUR UNITÉ INTERNE**

 **EINSTELLBARER STRÖMUNGSABLENKER FÜR INNENGERÄT**



CODE	DESCRIPTION	DIMENSIONS [mm]			U.M.	Pieces per box
		A	B	C		
12000040	"DEVIO" ADJUSTABLE ALUMINIUM DEFLECTOR L 850 MM	260	30	55	PCS	1
12000041	"DEVIO" ADJUSTABLE ALUMINIUM DEFLECTOR L 1050 MM	260	30	55	PCS	1

**Datasheet**



**UNIVERSAL POLYPROPYLENE FILTER PANEL 800 X 400 MM**

**TECHNICAL SPECIFICATIONS**

- Polypropylene fibre filtering septum
- Excellent resistance to acid
- Density 0.91 g/cm<sup>3</sup>
- Hydrolysis resistance: good
- Continuous operating temperature 80/90°C
- Low resistance to oxidation
- Low resistance to organic solvents
- Square dimensions 8 x 8 mm
- Applications for indoor wall-mounted air conditioners (in general)
- Supplied in 800 x 400 mm slab to be cut to size according to the size of your split

**PANNEAU DE FILTRE UNIVERSEL EN POLYPROPYLENE 800 X 400 MM**

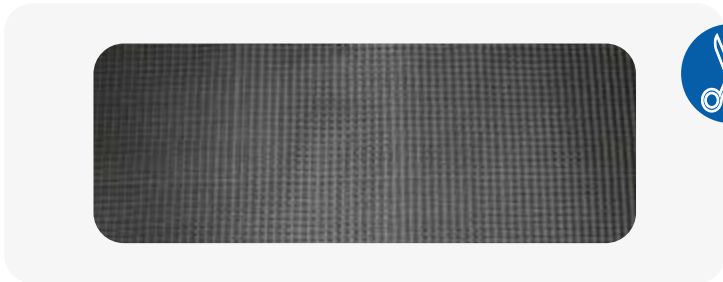
**CARACTÉRISTIQUES TECHNIQUES**

- Cloison filtrante en fibre de polypropylène
- Excellente résistance aux acides
- Densité 0,91 g/cm<sup>3</sup>
- Résistance à l'hydrolyse : bonne
- Température de fonctionnement en continu 80/90 °C
- Faible résistance à l'oxydation
- Faible résistance aux solvants organiques
- Taille du tableau : 8 x 8 mm
- Applications pour climatiseurs muraux intérieurs (en général)
- Livré en dalle de 800 x 400 mm à couper à la taille de votre fente

**UNIVERSAL-POLYPROPYLENE-FILTERPLATTE 800 X 400 MM**

**TECHNISCHE EIGENSCHAFTEN**

- Filtermembran aus Polypropylenfasern
- Hervorragende Säurebeständigkeit
- Dichte 0,91 gr/cm<sup>3</sup>
- Hydrolysebeständigkeit: Gut
- Dauerbetriebstemperatur 80/90 °C
- Geringe Oxidationsbeständigkeit
- Geringe Beständigkeit gegen organische Lösungsmittel
- Abmessungen Rippe: 8 x 8 mm
- Anwendungen für Raum-Wandklimageräte (allgemein)
- Lieferung in 800 x 400 mm Platte, die entsprechend der Größe Ihres Splits zugeschnitten wird



CODE	DESCRIPTION	BASE [mm]	HEIGHT [mm]	THICKNESS [mm]	U.M.	Pieces per box
11161930	UNIVERSAL FILTER IN POLYPROPYLENE (800X400 mm) - THICKNESS 2 mm	800	400	2	PCS	1

**Datasheet**

**800 X 400MM UNIVERSAL ACTIVATED CARBON FILTER PANEL**

**TECHNICAL SPECIFICATIONS**

- Activated carbon filtering septum
- Grammage weight 650 g/m<sup>2</sup>
- 100% polyester fibres
- Activated carbon 38%
- Fire behaviour: EN 60335-2 31 FH2
- Air permeability (l/m<sup>2</sup>/s) at 50 Pa EN ISO 9237: 1.000
- Minimum tension resistance (N): MD 100-CD 120
- Use temperature (°C) < 150°C
- Applications: for indoor wall-mounted air conditioners (in general).
- Supplied in 800 x 400 mm slab to be cut to size according to the size of your split

**PANNEAU DE FILTRE UNIVERSEL AU CHARBON ACTIF 800 X 400 MM**

**CARACTÉRISTIQUES TECHNIQUES**

- Cloison filtrante à charbon actif
- Poids du grammage 650 g/m<sup>2</sup>
- Composition de fibres 100 % polyester
- Charbon actif 38 %
- Comportement à la flamme: EN 60335-2 31 FH2
- Perméabilité à l'air (l/m<sup>2</sup>/s) à 50 Pa EN ISO 9237 : 1,000
- Résistance de tension minimale (N) : MD 100-CD 120
- Température de fonctionnement (°C) <150 °C
- Applications : pour les climatiseurs muraux intérieurs (en général).
- Livré en dalle de 800 x 400 mm à couper à la taille de votre fente

**UNIVERSAL-AKTIVKOHLEFILTER, 800 X 400 MM**

**TECHNISCHE EIGENSCHAFTEN**

- Aktivkohlefiltermembran
- Grammatargewicht 650 gr/m<sup>2</sup>
- Zusammensetzung aus 100 % Polyesterfasern
- Aktivkohle 38%
- Flammenverhalten: EN 60335-2 31 FH2
- Luftdurchlässigkeit (l/m<sup>2</sup>/s) bei 50 Pa EN ISO 9237: 1,000
- Minimaler Spannungsheizkörper (N): MD 100-CD 120
- Verwendungstemperatur (°C) <150 °C
- Anwendungen: Für Raum-Wandklimageräte (allgemein).
- Lieferung in 800 x 400 mm Platte, die entsprechend der Größe Ihres Splits zugeschnitten wird



CODE	DESCRIPTION	BASE [mm]	HEIGHT [mm]	THICKNESS [mm]	U.M.	Pieces per box
11161940	UNIVERSAL FILTER IN POLYPROPYLENE (800X400 mm) - THICKNESS 10 mm	800	400	10	PCS	1

**Datasheet**

 **UNIVERSAL REMOTE CONTROL FOR INDOOR UNITS**

**TECHNICAL SPECIFICATIONS**

- Max. controllable distance 8 m
- Power supply 3 VDC
- 2 AAA batteries (UM-4. R03)
- Dimensions L 46 x H 155 x D 23 mm
- Weight approx. 80 g (excluding batteries)

 **TÉLÉCOMMANDE UNIVERSELLE POUR LES UNITÉS INTÉRIEURES**

**CARACTÉRISTIQUES TECHNIQUES**

- Distance max. contrôlable 8 m
- Alimentation 3 VCC
- 2 piles AAA (UM-4. R03)
- Dimensions L 46 x H 155 x P 23 mm
- Poids environ 80 g (sans les piles)

 **UNIVERSELLE GOLD-FERNBE-DIENUNG FÜR INNENGERÄTE**

**TECHNISCHE EIGENSCHAFTEN**

- Max. steuerbare Entfernung 8 m
- Versorgung 3 VDC
- 2 AAA-Batterien (UM-4. R03)
- Abmessungen B 46 x H 155 x T 23 mm
- Gewicht ca. 80 g (Batterie ausgeschlossen)



BRANDS			
ACSON	COUNTRY AIR	HOFFWELL	MISTRAL
ACTRON AIR	DAEWOO	HOMEMAKERS	MITSUBISHI
AGER/AGREE	DAIKIN	HUABAO	NEC NATIONAL
AIRWEEL	DEC / DHL	HUAKE	NIKKO
AITE	DELONGHI	HUALING	NISO
AKIRA	DERBY/DIVIN-CHI	HUAMEI	NORITZ
ALPIN	DL	HUIFENG	OGENERAL
AMCOR	DOCTOR	HYUNDAY	OMEGA
AMICO	DONGBAO	JBS	OMNI
ARENA	DONGXINBAO	JDC	PANASONIC
ARISTON	ELCO	JET AIR / JBS	NATIONAL
ARLEC	ELECTRA	JIANGNAN	PANDA
AUCMA	ELECTROLUX	JINDA	PHILCO
AUSSIE AIR/ARD	EMAILAIR	JINSONG	PILOT
AUX	FEDDERS	JOHNSON	POLAR ICE
BANSHEN	FERROLI	KANGLI	PROTON
BLUESTAR	FRESTECH	KELON	RAYBO
BLUEWAY	FUJITA/FUJIAI-RE	KELVINATOR	RHOSS
BOERKA	FUJITSU	KLIMATAIR	ROWA
BRIVAS	FUNAI	KOLIN	SABRO
CARRIER	FUNAI / FUJIN	KONKA	SACON
CELESTIAL	GALANZ	LENNOX	SAIJO DENKI
CHANGHONG	GE	LEVANTE	SAMPO
CHANGLING	GEER	LG	SAMSUNG

**For internal units**

**Available from March 2025**

[Datasheet](#)

CODE	DESCRIPTION	U.M.	Pieces per box
SCD600023	UNIVERSAL REMOTE CONTROLDEVICE "TS-KT 618" FOR INTERNAL UNITS	PCS	1



**UNIVERSAL REMOTE CONTROL FOR INDOOR UNITS**

**TECHNICAL SPECIFICATIONS**

- Max. controllable distance 8 m
- Power supply 3 V
- 2 AAA batteries (UM-4, R03)
- Dimensions W 55 x H 165 x D 25 mm
- Weight approx. 100 g (excluding batteries)

**TÉLÉCOMMANDE UNIVERSELLE POUR LES UNITÉS INTÉRIEURES**

**CARACTÉRISTIQUES TECHNIQUES**

- Distance max. contrôlable 8 m
- Alimentation 3 V
- 2 piles AAA (UM-4, R03)
- Dimensions L 55 x H 165 x P 25 mm
- Poids d'environ 100 g (hors piles)

**UNIVERSELLE GOLD-FERNBE-DIENUNG FÜR INNENGERÄTE**

**TECHNISCHE EIGENSCHAFTEN**

- Max. steuerbare Entfernung 8 m
- Stromversorgung 3 V
- 2 AAA-Batterien (UM-4, R03)
- Abmessungen B 55 x H 165 x T 25 mm
- Gewicht ca. 100 g (ohne Batterien)



**BRANDS**

ALPIN	GLEE	LITTLE DUCK	SHUANGLU
AUCMA	GOLDSTAR	LOREN-SEBO	SHUA I KANG
AUX	GREE	MACQUAY	SONGGE
BANSHEN	HAIER	MICOM	SOVA
BOERKA	HISENSE	MIDEA	SUMMER
CARRIER	HITACHI	MITSUBISHI	SUNDURG
CHANGHONG	HUABAO	NORITZ	SWAN
GHICO	HUAKE	PANASONIC	TADIRAN
CHOFU	HUAMEI	PANDA	TATUNG
CHUNLAN	HUALING	PHILCO	TCL
CORONA	HUIFENG	PROTON	TECO
CONROWA	HUIKANG	RAYBO	TIANDI
CONSUL	HYUNDAI	ROWA	TOSHIBA
DAEWOO	JDC	SABRO	TRANE
DAIKIN	JIANGNAN	SAIJO DENKI	UNI-AIR
DOCTOR	JINDA	SAMPO	WAN BAO
DONGBAO	JINSONG	SAMSUNG	WEILI
ELECTROLUX	JOHSON	SANYO	WHIRLPOOL
FRESTECH	KANGLI	SASUKI	WINIA
FUJITSU	KELON	SHANGLING	XILENG
FUNAI	KLIMATAIR	SHANXING	XINLE
GALANZ	KOLIN	SHARP	YANGZI (YAIR)
GENERAL	KONKA	SHENGFENG	YINYAN
GUQIAO	LIANGYU	SHINCO	YORK / ZHEN BAO

For internal units

Datasheet

CODE	DESCRIPTION	U.M.	Pieces per box
11132199G	UNIVERSAL REMOTE CONTROL DEVICE "GOLD" FOR INTERNAL UNITS	PCS	1



## UNIVERSAL REMOTE CONTROL FOR INDOOR UNITS

### TECHNICAL SPECIFICATIONS

- Max. working range 8 m
- Power supply 3 V
- AAA batteries (UM-4, R03) x 2
- Dimensions W 58 x H 160 x D 18 mm

## TÉLÉCOMMANDE UNIVERSELLE POUR LES UNITÉS INTÉRIEURES

### CARACTÉRISTIQUES TECHNIQUES

- Portée de travail max. 8 m
- Alimentation 3 V
- Piles AAA (UM-4, R03) x 2
- Dimensions L 58 x H 160 x P 18 mm

## UNIVERSELLE GOLD-FERNBEDIENUNG FÜR INNENGERÄTE

### TECHNISCHE EIGENSCHAFTEN

- Max. Arbeitsreichweite 8 m
- Stromversorgung 3 V
- AAA-Batterien (UM-4, R03) x 2
- Abmessungen B 58 x H 160 x T 18 mm

UNIVERSAL



BRANDS		
CARRIER	HISENSE	PHILCO
CHANGONG	HUBAO	SAMSUNG
CHIGAO	HUALING	SANYO NEC
CHOFU	HUIFENG	SAIJO DENKI
CONROWA	HUIKANG	SHANGLING
CORONA	JDC	SHARP
DAIKIN	JOHSON	SHENGFENG SHANGLU
DOCTOR	KANGLI	SHUANGLU
ELECTRA	KELON	SOVA
ELECTROLUX	KLIMATAIR	TCL
FUJITSU	KONKA	TOSHIBA
GALANZ	LG	TRANE
GOLDSTAR	MACQUAY	UNI-AIR
GREE	MIDEA	WEILI
GUQIAO	MITSUBISCHI ELECTRIC	WHIRLPOOL
HAIER	MITSUBISCHI INDUSTRY	YORK
HITACHI	NATIONAL PANASONIC	-

Datasheet



CODE	DESCRIPTION	U.M.	Pieces per box
11132199	UNIVERSAL REMOTE CONTROL DEVICE FOR INTERNAL UNITS	PCS	1

## ELECTRICAL CABLES

### TECHNICAL SPECIFICATIONS

- S18 PVC insulated flexible multipole cable
- Type FS18OR18
- Rated voltage 300 / 500 V
- PVC R18 interval marking
- In accordance with CPR EU 305/11
- Euroclass CPR CEI-UNEL 35016 Cca - s3, d1, a3

## CÂBLES ÉLECTRIQUES

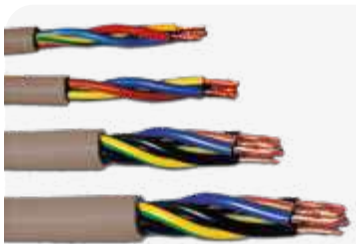
### CARACTÉRISTIQUES TECHNIQUES

- Câble multipolaire flexible isolé en PVC S18
- Type FS18OR18
- Tension nominale 300 / 500 V
- Gaine PVC R18
- Conformément à la norme CPR UE 305/11
- Euroclasse CPR CEI-UNEL 35016 Cca - s3, d1, a3

## ELEKTRISCHE KABEL

### TECHNISCHE EIGENSCHAFTEN

- S18 PVC-isoliertes flexibles mehrpoliges Kabel
- Typ FS18OR18
- Nennspannung 300/500 V
- Ummantelung PVC R18
- Gemäß Norm CPR EU 305/11
- Euroklasse CPR CEI-UNEL 35016 Cca - s3, d1, a3



For internal units

CODE	DESCRIPTION	MIN. PACK	U.M.	Pieces per box
SCC600014	ELECTRIC CABLE FS18OR18, 3 COLOURS, SECTION 1,5 mmq (100 mt.)	100 mm	PCS	1
SCC600015	ELECTRIC CABLE FS18OR18, 3 COLOURS, SECTION 2,5 mmq (100 mt.)	100 mm	PCS	1
SCC600016	ELECTRIC CABLE FS18OR18, 4 COLOURS, SECTION 1,5 mmq (100 mt.)	100 mm	PCS	1
SCC600017	ELECTRIC CABLE FS18OR18, 4 COLOURS, SECTION 1,5 mmq (100 mt.)	100 mm	PCS	1

Datasheet

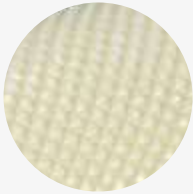
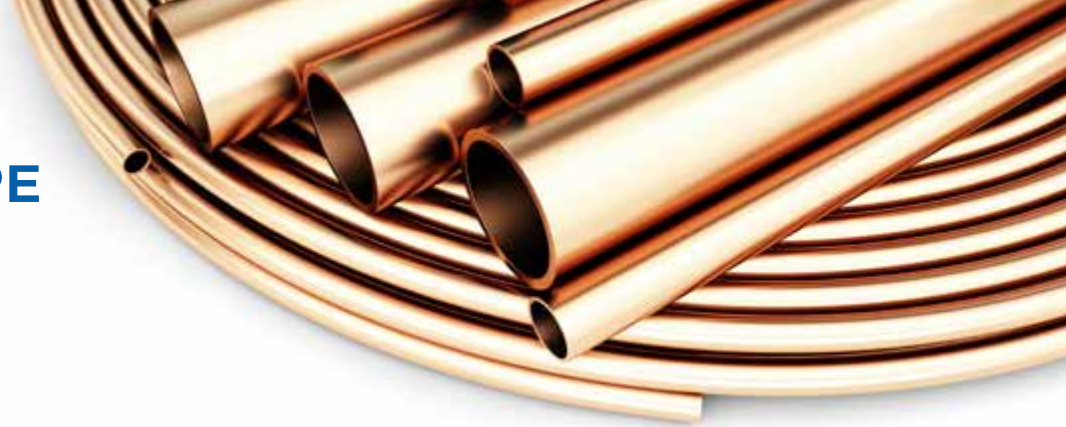




# COPPER PIPE



# ISOLATED COPPER PIPE



## Top Line (Ivory)

The “Top Line” insulation is made of closed-cell and crosslinked polyethylene foam (10 mm thick). Externally equipped with a very strong, pyramidshaped and tear-resistant film, in colour ivory. Guaranteed to operate up to 120°C. The rools are 20 or 50 m long.



## Ri Line (White)

The “Ri Line” insulation is made of closed-cell and crosslinked polyethylene foam (from 6 to 100 mm). Externally equipped with a very strong tearresistant film, in colour white.



## New Line (White)

The “New Line” insulation is made of closed-cell and polyethylene foam (from 6 to 100 mm). Externally equipped with a very strong tearresistant film, in colour white.



## Eco Line (White)

The “Eco Line” insulation is made of closed-cell polyethylene foam (from 6 to 100 mm). Externally equipped with a very strong tear-resistant film, in colour white.



## Grey Line (Grey)

The “Grey Line” insulation is made of closed-cell polyethylene foam (from 6 to 100 mm). Externally equipped with a very strong tear-resistant film, in colour grey.

### TECHNICAL SPECIFICATIONS OF THE INSULATION

	TOP LINE	RI LINE		NEW LINE		ECO LINE		GREY LINE		
WORKING TEMPERATURE	-80°C + 120°C	- 45°C + 100°C		-45°C + 100°C		- 45°C + 100°C		- 45°C + 100°C		
SPECIFIC WEIGHT	30 kg/m <sup>2</sup>	35 kg/m <sup>2</sup>		35 kg/m <sup>2</sup>		35 kg/m <sup>2</sup>		35 kg/m <sup>2</sup>		
THICKNESS OF INSULATION	mm 10	1/4 3/8 1/2	5/8 3/4	1/4 3/8 1/2	5/8 3/4	1/4 3/8 1/2	5/8 3/4	1/4 3/8 1/2	5/8 3/4	
		mm 6	mm 10	mm 6	mm 10	mm 6	mm 10	mm 6	mm 10	
FIRE REACTION CLASS	CONFORM TO EN 13501 - 1 : 20099									



**SINGLE INSULATED COPPER PIPE 20 M**



**LIGNE DE TÊTE TUBE CUIVRE SIMPLE ISOLÉ 20 M**



**EINZELISOLIERTES KUPFER-ROHR 20 M**



**BL-S2-D0**



**BL-S1, D0**



**BL-S1-D0**

**TOP Line**

20 m - SP.1/0,8 mm

Datasheet



Insulating thickness: 10 mm  
Copper thickness: 1 mm

**NEW Line**

20 m - SP.1 mm

Datasheet



Insulating thickness: 6 mm  
Copper thickness: 1 mm

**GREY Line**

20 m - SP.1/0,8 mm

Datasheet



Insulating thickness: 6 - 10 mm  
6 mm: 1/4 - 3/2 - 1/2 | 10 mm: 5/8 - 3/4  
Copper thickness: 0,8 mm

CODE	DESCRIPTION	MILLIMETERS	COPPER THICKNESS	SHEATH THICKNESS	IN PACK OF.	NO. COILS PER PALLET
<b>TOP LINE SINGLE 20 m THICKNESS 1 mm</b>						
11110414	CU 1/4"	6.35	1	10	2 PCS. - 40 m	14 PACK. = m 560
11110438	CU 3/8"	9.52	1	10	2 PCS. - 40 m	14 PACK. = m 560
11110412	CU 1/2"	12.7	1	10	2 PCS. - 40 m	11 PACK. = m 440
11110458	CU 5/8"	15.88	1	10	2 PCS. - 40 m	11 PACK. = m 440
11110434	CU 3/4"	19.05	1	10	1 PCS. - 20 m	11 PACK. = m 220
<b>TOP LINE SINGLE 20 m THICKNESS 0,8 mm</b>						
11110414W	CU 1/4"	6.35	0.8	10	2 PCS. - 40 m	14 PACK. = m 560
11110438W	CU 3/8"	9.52	0.8	10	2 PCS. - 40 m	14 PACK. = m 560
11110412W	CU 1/2"	12.7	0.8	10	2 PCS. - 40 m	11 PACK. = m 440
<b>NEW LINE SINGLE 20 m THICKNESS 1 mm</b>						
N11110438	CU 3/8"	9.52	1	10	2 PCS. - 40 m	14 PACK. = m 560
N11110412	CU 1/2"	12.7	1	10	2 PCS. - 40 m	11 PACK. = m 440
<b>GREY LINE SINGLE 20 m THICKNESS 0,8 - 1 mm</b>						
SCD600015	CU 1/4"	6.35	0.8	6	2 PCS. - 40 m	7 PACK. = m 560
SCD600016	CU 3/8"	9.52	0.8	6	2 PCS. - 40 m	7 PACK. = m 560
SCD600017	CU 1/2"	12.7	0.8	6	2 PCS. - 40 m	7 PACK. = m 560
SCD600018	CU 5/8"	15.88	1	10	2 PCS. - 40 m	7 PACK. = m 420
SCD600019	CU 3/4"	19.05	1	10	1 PCS. - 20 m	7 PACK. = m 420





**BL-S2-D0**



**BL-S1, D0**



**BL-S1-D0**

**TOP Line**

50 m - SP.1/0,8 mm

Datasheet



Insulating thickness: 10 mm  
Copper thickness: 1 mm

**NEW Line**

50 m - SP.1 mm

Datasheet



Insulating thickness: 6-10 mm  
6 mm: 1/4 - 3/8 - 1/2 | 10 mm: 5/8 - 3/4  
Copper thickness: 1 mm

**GREY Line**

50 m - SP.1/0,8 mm

Datasheet



Insulating thickness: 6 - 10 mm  
6 mm: 1/4 - 3/2 - 1/2 | 10 mm: 5/8 - 3/4  
Copper thickness: 0,8 mm

CODE	DESCRIPTION	MILLIMETERS	COPPER THICKNESS	SHEALTH THICKNESS	IN PACK OF.	NO. COILS PER PALLET
<b>TOP LINE SINGLE 50 m THICKNESS 1 mm</b>						
11110514	CU 1/4"	6.35	1	10	1 PCS. - 50 m	14 PACK. = m 700
11110538	CU 3/8"	9.52	1	10	1 PCS. - 50 m	14 PACK. = m 700
11110512	CU 1/2"	12.7	1	10	1 PCS. - 50 m	12 PACK. = m 600
11110558	CU 5/8"	15.88	1	10	1 PCS. - 50 m	10 PACK. = m 500
SCD600009	CU 3/4"	19.05	1	10	1 PCS. -50 m	10 PACK. = m 500
11110534	CU 3/4"	19.05	1	10	1 PCS. -25 m	10 PACK. = m 250
<b>TOP LINE SINGLE 50 m THICKNESS 0,8 mm</b>						
11110514W	CU 1/4"	6.35	0.8	10	1 PCS. -50 m	14 PACK. = m 700
11110538W	CU 3/8"	9.52	0.8	10	1 PCS. -50 m	14 PACK. = m 700
11110512W	CU 1/2"	12.7	0.8	10	1 PCS. -50 m	12 PACK. = m 600
<b>RI LINE SINGLE 50 m THICKNESS 1 mm</b>						
R11110414	CU 1/4"	6.35	1	6	1 PCS. -50 m	14 PACK. = m 700
R11110438	CU 3/8"	9.52	1	6	1 PCS. -50 m	14 PACK. = m 700
R11110412	CU 1/2"	12.7	1	6	1 PCS. -50 m	12 PACK. = m 600
R11110458	CU 5/8"	15.88	1	10	1 PCS. -50 m	10 PACK. = m 500
R11110434	CU 3/4"	19.05	1	10	1 PCS. -25 m	10 PACK. = m 250
<b>GREY LINE SINGLE 50 m THICKNESS 0,8 - 1 mm</b>						
SCD600010	CU 1/4"	6.35	0.8	6	1 PCS. -50 m	14 PACK. = m 700
SCD600011	CU 3/8"	9.52	0.8	6	1 PCS. -50 m	14 PACK. = m 700
SCD600012	CU 1/2"	12.7	0.8	6	1 PCS. -50 m	12 PACK. = m 600
SCD600013	CU 5/8"	15.88	1	10	1 PCS. -50 m	10 PACK. = m 500
SCD600014	CU 3/4"	19.05	1	10	1 PCS. -25 m	10 PACK. = m 250



## INSULATED COPPER PIPE COUPLED

### TECHNICAL SPECIFICATIONS

- Cu-DHP copper pipe according to EN 12735-1
- Closed-cell polyethylene foam sheath
- Operating temperature up to 120°C
- Ivory tear-resistant film with pyramidal texture
- Capped copper ends
- 1-metre interval marking
- Roll 50 m (on request)

## TUBE DE CUIVRE ISOLÉ DE LIGNE SUPÉRIEURE COUPLÉ

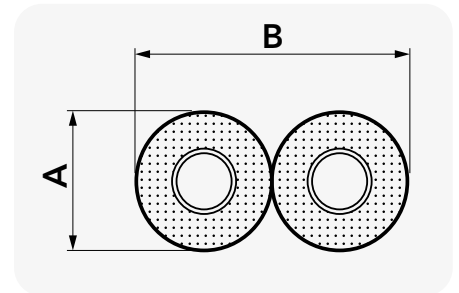
### CARACTÉRISTIQUES TECHNIQUES

- Tube en cuivre Cu-DHP selon EN 12735-1
- Gaine en polyéthylène expansé à cellules fermées
- Température de fonctionnement jusqu'à 120°C
- Film ondulé pyramidal ivoire résistant à la déchirure
- Extrémités en cuivre coiffées
- Gaine métrique
- Rouleau de 50 m (disponible sur demande)

## ISOLIERTES KUPFERROHR GEKOPPELT

### TECHNISCHE EIGENSCHAFTEN

- Kupferrohr Cu-DHP nach EN 12735-1
- Ummantelung aus Polyethylenschaum mit geschlossenen Zellen
- Betriebstemperatur bis 120°C
- Pyramidenförmige reißfeste Folie elfenbeinfarben
- Verkappte Kupferenden
- Metrische Ummantelung
- 50 m Rolle (auf Anfrage erhältlich)



**BL-S1-D0 Self-extinguishing**

**50mt coil available on request**

CODE	DESCRIPTION	MILLIMETERS	COPPER THICKNESS [mm]	SHEATH THICKNESS [mm]	A x B OVERALL [mm]	PACK OF	NO. COILS PER PALLET
11110038	CU 1/4" - 3/8"	6,35 - 9,52	1,0 - 1,0	10	27 x 53	1 COIL - 20 m	26 COILS = m 520
SCD600021	CU 1/4" - 3/8"	6,35 - 9,52	1,0 - 1,0	10	27 x 53	1 COIL - 50 m	-
11110012	CU 1/4" - 1/2"	6,35 - 12,7	1,0 - 1,0	10	31 x 56	1 COIL - 20 m	14 COILS = m 280
SCD600022	CU 1/4" - 1/2"	6,35 - 12,7	1,0 - 1,0	10	31 x 56	1 COIL - 50 m	-
11110058	CU 1/4" - 5/8"	6,35 - 15,88	1,0 - 1,0	10	34 x 59	1 COIL - 20 m	11 COILS = m 220
11110108	CU 3/8" - 1/2"	9,52 - 12,7	1,0 - 1,0	10	34 x 40	1 COIL - 20 m	11 COILS = m 220
11110158	CU 3/8" - 5/8"	9,52 - 15,88	1,0 - 1,0	10	34 x 62	1 COIL - 20 m	11 COILS = m 220
11110065	CU 3/8" - 3/4"	9,52 - 19,05	1,0 - 1,0	10	40 x 69	1 COIL - 20 m	11 COILS = m 220
11110068	CU 1/2" - 3/4"	12,7 - 19,05	1,0 - 1,0	10	40 x 71	1 COIL - 20 m	11 COILS = m 220
11110038W	CU 1/4" - 3/8"	6,35 - 9,52	0,8 - 0,8	10	27 x 53	1 COIL - 20 m	11 COILS = m 220
11110012W	CU 1/4" - 1/2"	6,35 - 12,7	0,8 - 0,8	10	31 x 56	1 COIL - 20 m	11 COILS = m 220
11110108W	CU 3/8" - 1/2"	9,52 - 12,7	0,8 - 0,8	10	34 x 40	1 COIL - 20 m	11 COILS = m 220
11110058W	CU 1/4" - 5/8"	6,35 - 15,88	0,8 - 1,0	10	34 x 59	1 COIL - 20 m	11 COILS = m 220
11110158W	CU 3/8" - 5/8"	9,52 - 15,88	0,8 - 1,0	10	34 x 62	1 COIL - 20 m	11 COILS = m 220
11110065W	CU 3/8" - 3/4"	9,52 - 19,05	0,8 - 1,0	10	40 x 69	1 COIL - 20 m	11 COILS = m 220
11110068W	CU 1/2" - 3/4"	12,7 - 19,05	0,8 - 1,0	10	40 x 71	1 COIL - 20 m	11 COILS = m 220

# NEW LINE

## INSULATED COPPER PIPE COUPLED

### TECHNICAL SPECIFICATIONS

- Cu-DHP copper pipe according to EN 12735-1
- Closed-cell polyethylene foam sheath
- Insulation thickness 6 mm
- Smooth tear-resistant film
- Paired 20 m pack
- Capped copper ends
- 1-metre interval marking

## TUBE DE CUIVRE ISOLÉ DE LIGNE SUPÉRIEURE COUPLÉ

### CARACTÉRISTIQUES TECHNIQUES

- Tube en cuivre Cu-DHP selon EN 12735-1
- Gaine en polyéthylène expansé à cellules fermées
- Épaisseur d'isolation de 6 mm
- Film lisse résistant à la déchirure
- Emballage de 20 m
- Extrémités en cuivre coiffées
- Gaine métrique

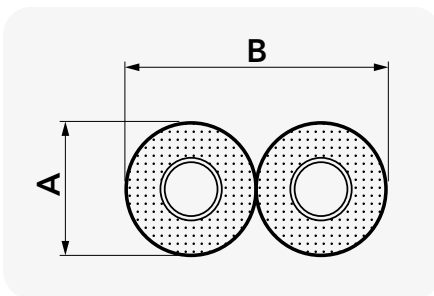
## ISOLIERTES KUPFERROHR GEKOPPELT

### TECHNISCHE EIGENSCHAFTEN

- Kupferrohr Cu-DHP nach EN 12735-1
- Ummantelung aus Polyethylenschaum mit geschlossenen Zellen
- Dämmungsstärke zu 6 mm
- Glatte reißfeste Folie
- Packung 20 m gepaart
- Verkappte Kupferenden
- Metrische Ummantelung



20 m



BL-S1-D0 Self-extinguishing

Datasheet



CODE	DESCRIPTION	MILLIMETERS	COPPER THICKNESS	SHEATH THICKNESS	AXB OVERALL [mm]	PACK OF	NO. COILS PER PALLET
N11110038	CU 1/4" - 3/8"	6,35 - 9,52	1,0 - 1,0	6	27 x 53	1 COIL - 20 m	26 COILS = m 520
N11110012	CU 1/4" - 1/2"	6,35 - 12,7	1,0 - 1,0	6	31 x 56	1 COIL - 20 m	14 COILS = m 280

# ECO LINE

## INSULATED COPPER PIPE COUPLED

### TECHNICAL SPECIFICATIONS

- Cu-DHP copper pipe according to EN 12735-1
- Closed-cell polyethylene foam from 6 mm to 10 mm thick
- Insulation sheath thickness 6 mm
- Smooth tear-resistant film
- Paired 20 m pack
- Crimped copper ends
- 1-metre interval marking

## TUBE DE CUIVRE ISOLÉ DE LIGNE SUPÉRIEURE COUPLÉ

### CARACTÉRISTIQUES TECHNIQUES

- Tube en cuivre Cu-DHP selon EN 12735-1
- Épaisseur de mousse de polyéthylène à cellules fermées de 6 mm à 10 mm
- Épaisseur de gaine isolante 6 mm
- Film lisse résistant à la déchirure
- Emballage de 20 m couplé
- Extrémités en cuivre agrafées
- Gaine métrique

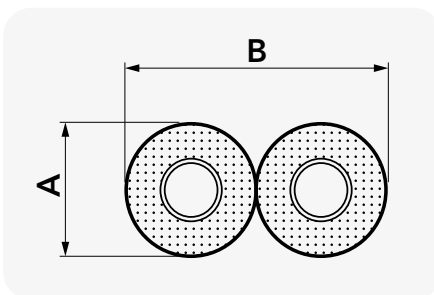
## ISOLIERTES KUPFERROHR GEKOPPELT

### TECHNISCHE EIGENSCHAFTEN

- Kupferrohr Cu-DHP nach EN 12735-1
- Von 6 mm bis 10 mm starkes expandiertes Polyethylen mit geschlossenen Zellen
- Dämmungsummantelung Stärke 6 mm
- Glatte reißfeste Folie
- Verpackung 20-Meter gepaart
- Geklammerte Kupferenden
- Metrische Ummantelung



20 m



BL-S1-D0 Self-extinguishing

Datasheet



CODE	DESCRIPTION	MILLIMETERS	COPPER THICKNESS	SHEATH THICKNESS	AXB OVERALL [mm]	PACK OF	NO. COILS PER PALLET
E111100388	CU 1/4" - 3/8"	6,35 - 9,52	0,8 - 0,8	6 X 6	22X42	1 COIL - 20 m	26 COILS = m 520
E111100128	CU 1/4" - 1/2"	6,35 - 12,7	0,8 - 0,8	6 X 6	24X45	1 COIL - 20 m	14 COILS = m 280

## COPPER PIPE IN RODS

### TECHNICAL SPECIFICATIONS

- Measurements in inches
- Capped 4m bars
- Supplied in boxes
- Polished interior
- Pack of 5 - 10 rods
- Designation R290 (raw)



Datasheet



## TUYAU EN CUIVRE EN BÂTONNETS

### CARACTÉRISTIQUES TECHNIQUES

- Mesures en pouces
- Barres plafonnées de 4 m
- Livré dans des boîtes
- Poli à l'intérieur
- Emballage de 5 à 10 tiges
- Désignation R290 (brut)

## KUPFERROHR IN STANGEN

### TECHNISCHE EIGENSCHAFTEN

- Maße in Zoll
- 4 m lange Stangen mit Kappen
- Lieferung in Kartons
- Innen poliert
- Packung mit 5 - 10 Stäben
- Bezeichnung R290 (roh)

CODE	Ø [INCH]	Ø [mm]	THICKNESS [mm]	PACKAGE WEIGHT [kg]	U.M.	 Pieces per box
R11110003	1/2"	12,70	1	13,00	PCS	1
R11110004	5/8"	15,80	1	16,65	PCS	1
R11110005	3/4"	19,05	1	20,22	PCS	1
R11110006	7/8"	22,22	1	23,77	PCS	1
R11110007	1"	25,40	1	13,66	PCS	1
R11110008	1"1/8	28,57	1	15,44	PCS	1
R11110012	1"1/4	31,75	1,25	21,35	PCS	1
R11110009	1"3/8	34,92	1,25	23,57	PCS	1
R11110010	1"5/8	41,27	1,25	17,00	PCS	1

Recommended for VRV-VRF

Transport to be carried out by the customer

## INSULATION FOR COPPER PIPE IN RODS

### TECHNICAL SPECIFICATIONS

- Insulation thickness 15 mm
- 2m bars
- Grey colour
- Reaction to fire class BL-s1 d0 - EN 13501-1



Datasheet



 MADE IN ITALY

## ISOLATION POUR TUBE EN CUIVRE DANS DES TIGES


### CARACTÉRISTIQUES TECHNIQUES

- Épaisseur d'isolation 15 mm
- Barres de 2 m
- Couleur grise
- Classe de réaction au feu BL-s1 d0 - EN 13501-1

## ISOLIERUNG FÜR KUPFERROHRE IN STANGEN

### TECHNISCHE EIGENSCHAFTEN

- Dämmungsstärke 15 mm
- 2 m Stangen
- Grau
- Brandreaktionsklasse: BL-s1 d0 - EN 13501-1

CODE	Ø [INCH]	Ø [mm]	THICKNESS [mm]	ITEM FOR PACK [m]	U.M.	 Pieces per box
11127993	1/2"	12.7	15	140	PCS	1
11127995	5/8"	15.8	15	110	PCS	1
11127996	3/4"	19.05	15	100	PCS	1
11127997	7/8"	22.22	15	82	PCS	1
11127998	1" - 1" 1/8	25,4 - 28,57	15	68	PCS	1
11127999	1" 1/4 - 1" 3/8	31,75 - 34,92	15	60	PCS	1
11127994	1" 5/8	41.27	15	50	PCS	1

BL-S1-D0 Self-extinguishing

Minimum order: 20 Bars

 **INSULATED COLLAR  
THICKNESS Ø13 AND Ø19**

**TECHNICAL SPECIFICATIONS**

**COLLAR**

- Galvanised steel
- Includes joining screws and plug

**INSULATING**

- Polyurethane foam (PIR) coupled with flexible elastomer foam (FEF) and PVC outer coating
- External black colour
- Thickness 13 mm or 19 mm
- Operating temperature MAX: + 120°C / MIN. -180°C.
- Reaction to fire class: B2

 **COLLIER ISOLANT ÉPAIS Ø13  
ET Ø19**

**CARACTÉRISTIQUES TECHNIQUES**

**COLLIER**

- Acier Galvanisé
- Avec vis de raccord et cheville

**ISOLANT**

- Mousse de polyuréthane expansé (PIR) couplée à une mousse souple élastomère (FEF) et revêtement extérieur en PVC
- Couleur extérieure noire
- Épaisseur 13 mm ou 19 mm
- Température de fonctionnement MAX : + 120° C / MIN. -180° C
- Classement au feu : B2

 **ISOLIERTE SCHELLE DICKE  
Ø13 UND Ø19**

**TECHNISCHE EIGENSCHAFTEN**


**SCHELLE**

- Verzinktes Stahl
- Komplett mit Verbindungsschraube und Stecker

**ISOLIEREND**

- Polyurethanschaum (PIR) gekoppelt mit flexiblem Elastomerschaum (FEF) und PVC-Außenverkleidung
- Außenfarbe Schwarz
- Stärke 13 mm oder 19 mm
- Betriebstemperatur MAX: + 120° C / MIN. -180° C
- Brandklasse: B2



CODE	Ø [mm]	SCREW	DOWEL [mm]	COLLAR DIMENSIONS [INCH]	U.M.	 Pieces per box
<b>INSULATED COLLARS THICKNESS 13 mm</b>						
SCC600063	COLLAR (THICKNESS 13mm) FOR COPPER PIPE Ø1/2 (SET OF 10 pcs)	M8 x 90	Ø10 x 60	1" 1/4	PCS	10
SCC600064	COLLAR (THICKNESS 13mm) FOR COPPER PIPE Ø5/8 (SET OF 10 pcs)	M8 x 90	Ø10 x 60	1" 1/4	PCS	10
SCC600065	COLLAR (THICKNESS 13 mm) FOR COPPER PIPE Ø3/4 (SET OF 10 pcs)	M8 x 90	Ø10 x 60	1" 1/4	PCS	10
SCC600066	COLLAR (THICKNESS 13 mm) FOR COPPER PIPE Ø7/8 (SET OF 10 pcs)	M8 x 90	Ø10 x 60	1" 1/2	PCS	10
SCC600067	COLLAR (THICKNESS 13 mm) FOR COPPER PIPE Ø1" + 1"1/8 (SET OF 10 pcs)	M8 x 90	Ø10 x 60	1" 1/2	PCS	10
SCC600068	COLLAR (THICKNESS 13 mm) FOR COPPER PIPE Ø1" + 1"3/8 (SET OF 10 pcs)	M8 x 90	Ø10 x 60	2"	PCS	10
SCC600069	COLLAR (THICKNESS 13 mm) FOR COPPER PIPE Ø1" 5/8 (SET OF 10 pcs)	M8 x 90	Ø10 x 60	2"	PCS	10
<b>INSULATED COLLARS THICKNESS 19 mm</b>						
SCC600070	COLLAR (THICKNESS 19 mm) FOR COPPER PIPE Ø1/2 (SET OF 10 pcs)	M8 x 90	Ø10 x 60	1" 1/2	PCS	10
SCC600071	COLLAR (THICKNESS 19 mm) FOR COPPER PIPE Ø5/8 (SET OF 10 pcs)	M8 x 90	Ø10 x 60	1" 1/2	PCS	10
SCC600072	COLLAR (THICKNESS 19 mm) FOR COPPER PIPE Ø3/4 (SET OF 10 pcs)	M8 x 90	Ø10 x 60	1" 1/2	PCS	10
SCC600073	COLLAR (THICKNESS 19 mm) FOR COPPER PIPE Ø7/8 (SET OF 10 pcs)	M8 x 90	Ø10 x 60	2"	PCS	10
SCC600074	COLLAR (THICKNESS 19 mm) FOR COPPER PIPE Ø1"+1"1/8 (SET OF 10 pcs)	M8 x 90	Ø10 x 60	2"	PCS	10
SCC600075	COLLAR (THICKNESS 19 mm) FOR COPPER PIPE Ø1"1/4+1"3/8 (SET OF 10 pcs)	M8 x 90	Ø10 x 60	2" 1/2	PCS	10
SCC600076	COLLAR (THICKNESS 19 mm) FOR COPPER PIPE Ø1" 5/8 (SET OF 10 pcs)	M8 x 90	Ø10 x 60	2" 1/2	PCS	10



**UK GALVANISED COLLAR COMPLETE WITH SCREW AND DOWEL - SIZE IN INCHES**

**TECHNICAL SPECIFICATIONS**

- Made of galvanized steel
- Supplied in blister packs of 2 pcs.
- Collar thickness 2.5 mm
- Collar width 20 mm
- Electro-welded M8 nut

**FR COLLIER GALVANISÉ AVEC VIS ET GOUJON - DIMENSIONS EN POUÇES**

**CARACTÉRISTIQUES TECHNIQUES**

- Fabriqué en acier galvanisé
- Livré en plaquettes thermoformées de 2 pièces.
- Épaisseur du collier 2,5 mm
- Largeur du collier 20 mm
- Écrou M8 électro-soudé

**DE VERZINKTE SCHELLE KOMPLETT MIT SCHRAUBE UND DÜBEL - MASSE IN ZOLL**


**TECHNISCHE EIGENSCHAFTEN**

- Aus verzinktem Stahl
- Lieferung in Blister mit 2 Stück.
- Schellenstärke 2,5 mm
- Schellenbreite 20 mm
- Elektrogeschweißte M8-Mutter



**Datasheet**



CODE	DESCRIPTION	PIN	SCREW	DOWEL [mm]	U.M.	 Pieces per box
22200300	GALVANIZED COLLAR Ø 3/8" COMPLETE WITH SCREW AND PLUG	M8	M8 x 90	Ø 10 x 60	PCS	2
22200310	GALVANISED COLLAR Ø 1/2" COMPLETE WITH SCREW AND DOWEL	M8	M8 x 90	Ø 10 x 60	PCS	2
22200320	GALVANISED COLLAR Ø 3/4" COMPLETE WITH SCREW AND DOWEL	M8	M8 x 90	Ø 10 x 60	PCS	2
22200330	GALVANISED COLLAR Ø 1" COMPLETE WITH SCREW AND DOWEL	M8	M8 x 90	Ø 10 x 60	PCS	2
22200340	GALVANISED COLLAR Ø 1 1/4" COMPLETE WITH SCREW AND DOWEL	M8	M8 x 90	Ø 10 x 60	PCS	2
22200350	GALVANISED COLLAR Ø 1 1/2" COMPLETE WITH SCREW AND DOWEL	M8	M8 x 90	Ø 10 x 60	PCS	2
22200360	ZN 2" COLLAR + ZNB M8 NUT (PACKAGE OF 2 PCS)	M8	M8 x 90	Ø 10 x 60	PCS	2

**UK TROPICALISED COLLAR COMPLETE WITH SCREW AND DOWEL - SIZE IN MILLIMETRES**

**TECHNICAL SPECIFICATIONS**

- Made of tropicalised galvanised steel
- Collar thickness 1 mm
- Screw size M6 x 10 mm
- Collar diameter in millimetres
- Supplied in blister packs of 2 pcs.

**FR COLLIER TROPICALISÉ AVEC VIS ET CHEVILLE - TAILLES EN MILLIMÈTRES**

**CARACTÉRISTIQUES TECHNIQUES**

- Fabriqué en acier galvanisé tropicalisé
- Épaisseur du collier 1 mm
- Taille de vis M6 x 10 mm
- Diamètre du collier en millimètres
- Livré en plaquettes thermoformées de 2 pièces.

**DE TROPENFESTE SCHELLE KOMPLETT MIT SCHRAUBE UND DÜBEL - MASSE IN MILLI-METERN**

**TECHNISCHE EIGENSCHAFTEN**

- Aus verzinktem Stahl mit Tropikalisierung
- Schellenstärke 1 mm
- Schraubengröße M6 x 10 mm
- Schellendurchmesser in Millimetern
- Lieferung in Blister mit 2 Stück.



**Datasheet**



CODE	DESCRIPTION	PIN	DOWEL [mm]	U.M.	 Pieces per box
22200510	TROPICALISED COLLAR Ø 10 COMPLETE WITH SCREW AND DOWEL	Ø 5 x 40	Ø 8 x 40	PCS	2
22200520	TROPICALISED COLLAR Ø 12 COMPLETE WITH SCREW AND DOWEL	Ø 5 x 40	Ø 8 x 40	PCS	2
22200550	TROPICALISED COLLAR Ø 18 COMPLETE WITH SCREW AND DOWEL	Ø 5 x 40	Ø 8 x 40	PCS	2
22200560	TROPICALISED COLLAR Ø 20 COMPLETE WITH SCREW AND DOWEL	Ø 5 x 40	Ø 8 x 40	PCS	2
22200570	TROPICALISED COLLAR Ø 22 COMPLETE WITH SCREW AND DOWEL	Ø 5 x 40	Ø 8 x 40	PCS	2
22200580	TROPICALISED COLLAR Ø 24 COMPLETE WITH SCREW AND DOWEL	Ø 5 x 40	Ø 8 x 40	PCS	2
22200590	TROPICALISED COLLAR Ø 25 COMPLETE WITH SCREW AND DOWEL	Ø 5 x 40	Ø 8 x 40	PCS	2
22200610	TROPICALISED COLLAR Ø 28 COMPLETE WITH SCREW AND DOWEL	Ø 5 x 40	Ø 8 x 40	PCS	2
22200620	TROPICALISED COLLAR Ø 32 COMPLETE WITH SCREW AND DOWEL	Ø 5 x 40	Ø 8 x 40	PCS	2
22200640	TROPICALISED COLLAR Ø 40 COMPLETE WITH SCREW AND DOWEL	Ø 5 x 40	Ø 8 x 40	PCS	2
22200660	TROPICALISED COLLAR Ø 50 COMPLETE WITH SCREW AND DOWEL	Ø 5 x 40	Ø 8 x 40	PCS	2

 **GALVANISED COLLAR COMPLETE WITH SCREW AND DOWEL AND GASKET - SIZE IN INCHES**

**TECHNICAL SPECIFICATIONS**

- Made of AISI 430 STAINLESS STEEL
- Collar thickness 2 mm
- Collar width 20 mm
- Includes screw and fixing plugs
- Collar diameter in inches
- Supplied in blister packs of 2 pcs.

 **COLLIER GALVANISÉ AVEC VIS ET CHEVILLE ET JOINT - DIMENSIONS EN POUCES**

**CARACTÉRISTIQUES TECHNIQUES**

- Fabriqué en acier inoxydable AISI 430
- Épaisseur du collier 2 mm
- Largeur du collier 20 mm
- Livré avec vis et cheville
- Diamètre du collier en pouces
- Livré en plaquettes thermoformées de 2 pièces.

 **VERZINKTE SCHELLE KOMPLETT MIT SCHRAUBE, DÜBEL UND DICHTUNG- MASSE IN ZOLL**


**TECHNISCHE EIGENSCHAFTEN**

- Aus Edelstahl AISI 430
- Schellenstärke 2 mm
- Schellenbreite 20 mm
- Komplett mit Schraube und Dübel
- Schellendurchmesser in Zoll
- Lieferung in Blister mit 2 Stück.



Datasheet



CODE	DESCRIPTION	Ø TUBE	PIN	SCREW	DOWEL [mm]	U.M.	 Pieces per box
22200700	GALV. COLLAR Ø 3/8" COMPLETE WITH SCREW, DOWEL AND GASKET	15 - 19	M8	M8 x 90	Ø 10 x 60	PCS	2
22200710	GALV. COLLAR Ø 1/2" COMPLETE WITH SCREW, DOWEL AND GASKET	21 - 23	M8	M8 x 90	Ø 10 x 60	PCS	2
22200720	GALVANIZED COLLAR Ø3/4" WITH SCREWS (PACK. 2 PZ.)	26 - 28	M8	M8 x 90	Ø 10 x 60	PCS	2
22200730	GALVANIZED COLLAR 1" WITH SCREWS (PACK. 2 PZ.)	32 - 35	M8	M8 x 90	Ø 10 x 60	PCS	2
22200740	GALVANIZED COLLAR Ø1"1/4 WITH SCREWS (PACK. 2 PZ.)	40 - 43	M8	M8 x 90	Ø 10 x 60	PCS	2
22200750	GALVANIZED COLLAR Ø1"1/2 WITH SCREWS (PACK. 2 PZ.)	44 - 49	M8	M8 x 90	Ø 10 x 60	PCS	2
22200760	GALVANIZED COLLAR Ø2" WITH SCREWS (PACK. 2 PZ.)	57 - 61	M8	M8 x 90	Ø 10 x 60	PCS	2

 **GALVANISED COLLAR COMPLETE WITH SCREW AND DOWELS FOR SPIRAL DUCTS AND FLUES**


**TECHNICAL SPECIFICATIONS**

- Made of galvanized steel
- Collar thickness 1.5 mm
- Collar width 28 mm
- Collar diameter in millimetres
- Supplied in blister packs of 2 pcs.

 **COLLIER GALVANISÉ AVEC VIS ET CHEVILLES POUR CONDUITES SPIROÏDALES ET CONDUITS DE FUMÉE**

**CARACTÉRISTIQUES TECHNIQUES**

- Fabriqué en acier galvanisé
- Épaisseur du collier 1,5 mm
- Largeur du collier 28 mm
- Diamètre du collier en millimètres
- Livré en plaquettes thermoformées de 2 pièces.

 **VERZINKTE SCHELLE MIT SCHRAUBEN UND DÜBELN FÜR SPIRALKANÄLE UND RAUCHABZÜGE**


**TECHNISCHE EIGENSCHAFTEN**

- Aus verzinktem Stahl
- Schellenstärke 1,5 mm
- Schellenbreite 28 mm
- Schellendurchmesser in Millimetern
- Lieferung in Blister mit 2 Stück.



Datasheet



CODE	DESCRIPTION	SCREW	DOWEL [mm]	U.M.	 Pieces per box
22200800	GALVANISED COLLAR Ø80 COMPLETE WITH SCREW AND DOWELS FOR SPIRAL DUCTS AND FLUES	M8x90	Ø10x60	PCS	2
22200820	GALVANISED COLLAR Ø 100 COMPLETE WITH SCREW AND DOWELS FOR SPIRAL DUCTS AND FLUES	M8x90	Ø10x60	PCS	2
22200830	GALVANISED COLLAR Ø 115 COMPLETE WITH SCREW AND DOWELS FOR SPIRAL DUCTS AND FLUES	M8x90	Ø10x60	PCS	2
22200840	GALVANISED COLLAR Ø 120 COMPLETE WITH SCREW AND DOWELS FOR SPIRAL DUCTS AND FLUES	M8x90	Ø10x60	PCS	2
22200850	GALVANISED COLLAR Ø 130 COMPLETE WITH SCREW AND DOWELS FOR SPIRAL DUCTS AND FLUES	M8x90	Ø10x60	PCS	2
22200860	GALVANISED COLLAR Ø 140 COMPLETE WITH SCREW AND DOWELS FOR SPIRAL DUCTS AND FLUES	M8x90	Ø10x60	PCS	2
22200870	GALVANISED COLLAR Ø 150 COMPLETE WITH SCREW AND DOWELS FOR SPIRAL DUCTS AND FLUES	M8x90	Ø10x60	PCS	2
22200880	GALVANISED COLLAR Ø 160 COMPLETE WITH SCREW AND DOWELS FOR SPIRAL DUCTS AND FLUES	M8x90	Ø10x60	PCS	2
22200890	GALVANISED COLLAR Ø 180 COMPLETE WITH SCREW AND DOWELS FOR SPIRAL DUCTS AND FLUES	M8x90	Ø10x60	PCS	2
22200900	GALVANISED COLLAR Ø 200 COMPLETE WITH SCREW AND DOWELS FOR SPIRAL DUCTS AND FLUES	M8x90	Ø10x60	PCS	2
22200910	GALVANISED COLLAR Ø 220 COMPLETE WITH SCREW AND DOWELS FOR SPIRAL DUCTS AND FLUES	M8x90	Ø10x60	PCS	2
22200920	GALV.COLL. Ø250 COMPLETE WITH SCREW AND PLUG FOR SPIRAL CONDUITS AND CHIMNEYS	M8x90	Ø10x60	PCS	2
22200930	GALVANISED COLLAR Ø 300 COMPLETE WITH SCREW AND DOWELS FOR SPIRAL DUCTS AND FLUES	M8x90	Ø10x60	PCS	2

**TROPICALISED COLLAR COMPLETE WITH SCREW AND DOWEL - SIZE IN MILLIMETRES**

**TECHNICAL SPECIFICATIONS**

- Made of copper
- Collar thickness 1 mm
- Includes screw and fixing plugs
- Collar diameter in millimetres
- Supplied in blister packs of 2 pcs.

**COLLIER TROPICALISÉ AVEC VIS ET CHEVILLE - TAILLES EN MILLIMÈTRES**

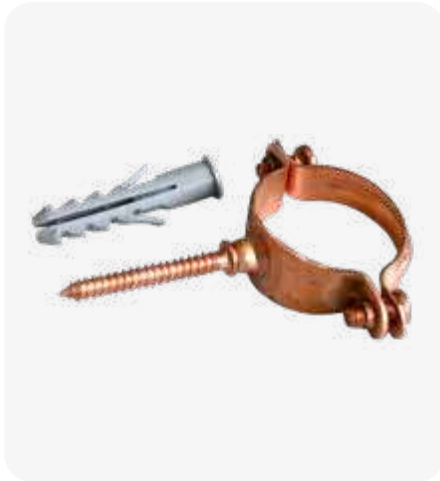
**CARACTÉRISTIQUES TECHNIQUES**

- Fabriqué en cuivre
- Épaisseur du collier 1 mm
- Livré avec vis et cheville
- Diamètre du collier en millimètres
- Livré en plaquettes thermoformées de 2 pièces.

**TROPENFESTE SCHELLE KOMPLETT MIT SCHRAUBE UND DÜBEL - MASSE IN MILLIMETERN**

**TECHNISCHE EIGENSCHAFTEN**

- Aus Kupfer
- Schellenstärke 1 mm
- Komplett mit Schraube und Dübel
- Schellendurchmesser in Millimetern
- Lieferung in Blister mit 2 Stück.



CODE	DESCRIPTION	SCREW	DOWEL [mm]	U.M.	Pieces per box
22201000	COLLAR IN COPPER 10mm.	Ø 5 x 35	Ø 8 x 40	PCS	2
22201010	COLLAR IN COPPER 12mm	Ø 5 x 35	Ø 8 x 40	PCS	2
22201020	COLLAR IN COPPER 14mm	Ø 5 x 35	Ø 8 x 40	PCS	2
22201030	COLLAR IN COPPER 16mm	Ø 5 x 35	Ø 8 x 40	PCS	2
22201040	COLLAR IN COPPER 18mm	Ø 5 x 35	Ø 8 x 40	PCS	2
22201050	COLLAR IN COPPER 22mm	Ø 5 x 40	Ø 8 x 40	PCS	2
22201060	COLLAR IN COPPER 28mm.	Ø 5 x 35	Ø 8 x 40	PCS	2
22201070	COLLAR IN COPPER 32mm.	Ø 5 x 40	Ø 8 x 40	PCS	2
22201080	COLLAR IN COPPER 35mm.	Ø 5 x 35	Ø 8 x 40	PCS	2
22201090	COLLAR IN COPPER 38mm.	Ø 5 x 35	Ø 8 x 40	PCS	2
22201100	COLLAR IN COPPER 42mm.	Ø 5 x 35	Ø 8 x 40	PCS	2
22201110	COLLAR IN COPPER 54mm.	Ø 5 x 35	Ø 8 x 40	PCS	2



**F/F COPPER SLEEVE**

**TECHNICAL SPECIFICATIONS**

- Measurements in inches
- Polished interior
- Female/ female coupling

**MANCHON EN CUIVRE F/F**

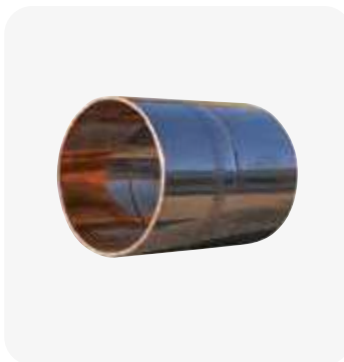
**CARACTÉRISTIQUES TECHNIQUES**

- Mesures en pouces
- Poli à l'intérieur
- Raccord femelle / femelle

**KUPFERMUFFE W/W**

**TECHNISCHE EIGENSCHAFTEN**

- Maße in Zoll
- Innen poliert
- Anschluss mit Innengewinde / Anschluss mit Innengewinde



CODE	Ø [INCH]	Ø [mm]	THICKNESS [mm]	U.M.	Pieces per box
11110596	1/2"	12,7	1	PCS	10
11110600	5/8"	15,80	1	PCS	10
11110601	3/4"	19,05	1	PCS	10
11110602	7/8"	22,22	1	PCS	10
11110603	1"	25,40	1	PCS	10
11110604	1" 1/8	28,57	1	PCS	10
11110622	1" 1/4	31,75	1	PCS	10
11110605	1" 3/8	34,92	1,2	PCS	10
11110618	1" 5/8	41,27	1,2	PCS	10



**90° CURVE F / F**

**TECHNICAL SPECIFICATIONS**

- Measurements in inches
- Polished interior
- Female/ female coupling

**COURBE 90° F / F**

**CARACTÉRISTIQUES TECHNIQUES**

- Mesures en pouces
- Poli à l'intérieur
- Raccord femelle / femelle

**90°-KURVE W/W**

**TECHNISCHE EIGENSCHAFTEN**

- Maße in Zoll
- Innen poliert
- Anschluss mit Innengewinde / Anschluss mit Innengewinde



CODE	Ø [INCH]	Ø [mm]	THICKNESS [mm]	U.M.	Pieces per box
11110597	1/2"	12,7	1	PCS	10
11110606	5/8"	15,80	1	PCS	10
11110607	3/4"	19,05	1	PCS	10
11110608	7/8"	22,22	1	PCS	10
11110609	1	25,40	1	PCS	10
11110610	1" 1/8	28,57	1	PCS	10
11110623	1" 1/4	31,75	1	PCS	10
11110611	1" 3/8	34,92	1,2	PCS	10
11110619	1" 5/8	41,27	1,2	PCS	10



 **45° CURVE F / F IN COPPER**

**TECHNICAL SPECIFICATIONS**

- Measurements in inches
- Polished interior
- Female/ female coupling

 **COURBE EN CUIVRE 45° F / F**

**CARACTÉRISTIQUES TECHNIQUES**

- Mesures en pouces
- Poli à l'intérieur
- Raccord femelle / femelle

 **45°-KUPFERKURVE W/W**

**TECHNISCHE EIGENSCHAFTEN**

- Maße in Zoll
- Innen poliert
- Anschluss mit Innengewinde / Anschluss mit Innengewinde



CODE	Ø [INCH]	Ø [mm]	THICKNESS [mm]	U.M.	Pieces per box
11110598	1/2"	12,7	1	PCS	10
11110630	5/8"	15,80	1	PCS	10
11110631	3/4"	19,05	1	PCS	10
11110632	7/8"	22,22	1	PCS	10
11110633	1"	25,40	1	PCS	10
11110634	1" 1/8	28,57	1	PCS	10
11110635	1" 1/4	31,75	1	PCS	10
11110636	1" 3/8	34,92	1,2	PCS	10
11110637	1" 5/8	41,27	1,2	PCS	10

[Datasheet](#)



 **COPPER T**

**TECHNICAL SPECIFICATIONS**

- Measurements in inches
- Polished interior

 **RACCORD T EN CUIVRE**

**CARACTÉRISTIQUES TECHNIQUES**

- Mesures en pouces
- Poli à l'intérieur

 **T-STÜCK AUS KUPFER**

**TECHNISCHE EIGENSCHAFTEN**

- Maße in Zoll
- Innen poliert



CODE	Ø [INCH]	Ø [mm]	THICKNESS [mm]	U.M.	Pieces per box
11110599	1/2"	12,7	1	PCS	10
11110612	5/8"	15,80	1	PCS	10
11110613	3/4"	19,05	1	PCS	10
11110614	7/8"	22,22	1	PCS	10
11110615	1"	25,40	1	PCS	10
11110616	1" 1/8	28,57	1	PCS	10
11110624	1" 1/4	31,75	1	PCS	10
11110617	1" 3/8	34,92	1,2	PCS	10
11110620	1" 5/8	41,27	1,2	PCS	10

[Datasheet](#)



 **BALL VALVE**

**TECHNICAL SPECIFICATIONS**

- Measurements in inches
- Polished interior

 **VANNE À BOISSEAU SPHÉRIQUE**

**CARACTÉRISTIQUES TECHNIQUES**

- Mesures en pouces
- Poli à l'intérieur

 **KUGELHAHN**

**TECHNISCHE EIGENSCHAFTEN**

- Maße in Zoll
- Innen poliert



CODE	Ø [INCH]	Ø [mm]	U.M.	Pieces per box
11135055	1/4"	6,35	PCS	1
11135056	3/8"	9,52	PCS	1
11135057	1/2"	12,7	PCS	1
11135058	5/8"	15,88	PCS	1
11135059	3/4"	19,05	PCS	1
11135051	7/8"	22,22	PCS	1
11135053	1" 1/8	28,57	PCS	1
11135054	1" 3/8	34,92	PCS	1
11135060	1" 5/8	41,27	PCS	1

[Datasheet](#)



 **FLEXIBLE JOINT WITH VIBRATION DAMPER TO WELD F / F**

 **JOINT FLEXIBLE ANTI-VIBRATIONS À SOUDER F / F**

 **FLEXIBLES VERBINDUNGSSTÜCK MIT SCHWINGUNGSSCHUTZ ZUM SCHWEISSEN W/W**



CODE	DESCRIPTION	LENGHT [mm]	U.M.	Pieces per box
11135101	WELD-ON ANTI-VIBRATION FLEXIBLE CONNECTOR 3/8"	217	PCS	1
11135102	FLEXIBLE JOINT WITH VIBRATION DAMPER TO WELD 1/2"	230	PCS	1
11135103	WELD-ON ANTI-VIBRATION FLEXIBLE CONNECTOR 5/8"	250	PCS	1
11135104	WELD-ON ANTI-VIBRATION FLEXIBLE CONNECTOR 3/4"	260	PCS	1
11135105	WELD-ON ANTI-VIBRATION FLEXIBLE CONNECTOR 7/8"	305	PCS	1
11135109	WELD-ON ANTI-VIBRATION FLEXIBLE CONNECTOR 1 5/8"	400	PCS	1

[Datasheet](#)







CODE	DESCRIPTION	LENGHT [mm]	U.M.	Pieces per box
11135121	WELD-ON MOISTURE AND LIQUID INDICATOR F-F 3/8"	120	PCS	1
11135122	WELD-ON MOISTURE AND LIQUID INDICATOR F-F 1/2"	146	PCS	1
11135123	WELD-ON MOISTURE AND LIQUID INDICATOR F-F 5/8"	155	PCS	1
11135124	WELD-ON MOISTURE AND LIQUID INDICATOR F-F 3/4"	170	PCS	1
11135125	WELD-ON MOISTURE AND LIQUID INDICATOR F-F 7/8"	175	PCS	1
11135126	WELD-ON MOISTURE AND LIQUID INDICATOR F-F 1"	218	PCS	1
11135127	WELD-ON MOISTURE AND LIQUID INDICATOR F-F 1/8"	218	PCS	1



 **"Y" SHUNT IN COPPER**

**TECHNICAL SPECIFICATIONS**

- Includes insulation
- Max pressure 50 bar
- For VRV - VRF

 **DÉRIVATION EN « Y » EN CUIVRE**

**CARACTÉRISTIQUES TECHNIQUES**

- Livré avec isolation
- Pression max 50 bar
- Pour VRV - VRF

 **"Y"-ABZWEIGUNG AUS KUPFER**

**TECHNISCHE EIGENSCHAFTEN**

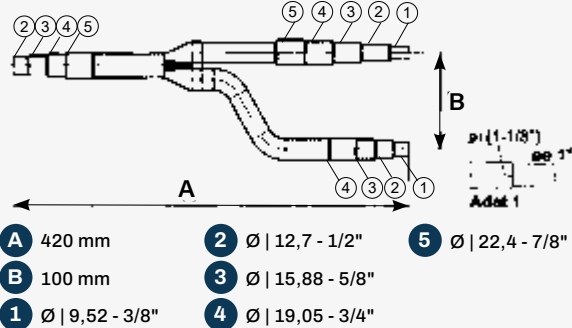
- Komplett mit Dämmung
- Druck max. 50 bar
- Für VRV - VRF



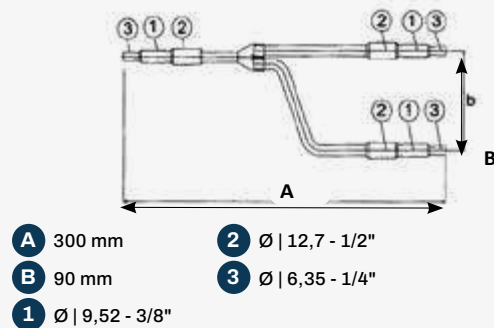
**DIMENSIONS CODE 11110520 - 11110521**

Ø I = INTERNAL DIAMETER

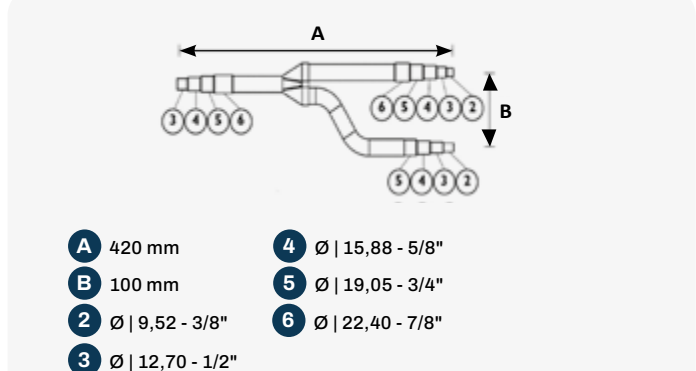
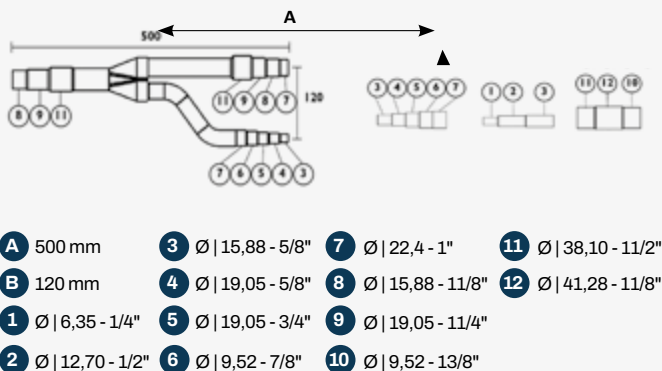
**DETAIL 1**



**DETAIL 2**



**DIMENSIONS CODE 11110524**



CODE	DESCRIPTION	U.M.	Pieces per box
11110520	"Y" COPPER BRANCHES KIT "A": 2YX30KW	KIT	1
11110524	"Y" COPPER BRANCHES KIT "E": 2YX90KW	KIT	1
11110521	"Y" COPPER BRANCHES KIT "B": 2Y+1Y/RX30KW	KIT	1



 **COPPER MANIFOLD**

**TECHNICAL SPECIFICATIONS**

- Includes insulation
- Max pressure 50 bar
- For VRV - VRF

 **COLLECTEUR EN CUIVRE**

**CARACTÉRISTIQUES TECHNIQUES**

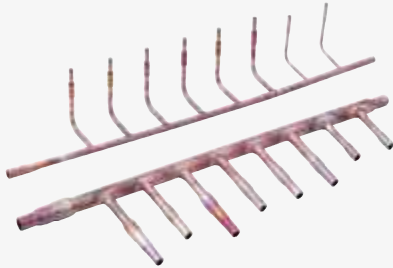
- Livré avec isolation
- Pression max 50 bar
- Pour VRV - VRF

 **KUPFERKOLLEKTOR**

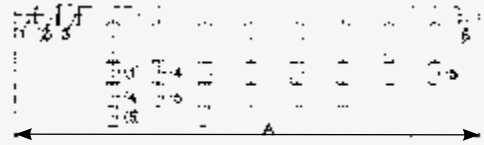
**TECHNISCHE EIGENSCHAFTEN**

- Komplett mit Dämmung
- Druck max. 50 bar
- Für VRV - VRF

**KIT "O"**



**DETAIL 1**

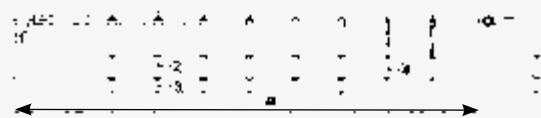


- A** 710 mm
- 1** Ø | 19,17 - 3/4"
- 2** Ø | 25,53 - 1"
- 3** Ø | 28,71 - 1-1/8"
- 4** Ø | 16,00 - 5/8"
- 5** Ø | 12,81 - 1/2"
- 6** Ø | 19,05

**KIT "P"**



**DETAIL 2**



- a** 710 mm
- 1** Ø | 12,81 - 3/8"
- 2** Ø | 9,64 - 1/2"
- 3** Ø | 6,46 - 1/4"
- 4** Ø | 6,46 - 1/4"

**KIT "M"**

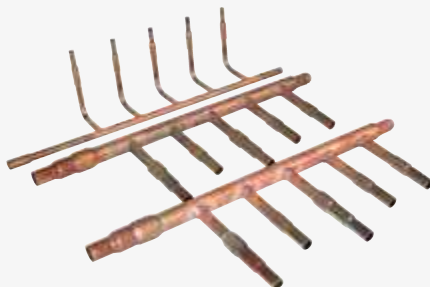


**DETAIL 1**

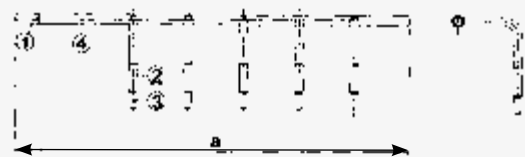


- A** 500 mm
- 1** Ø | 19,17 - 3/4"
- 2** Ø | 25,53 - 1"
- 3** Ø | 28,71 - 1-1/8"
- 4** Ø | 16,00 - 5/8"
- 5** Ø | 12,81 - 1/2"
- 6** Ø | 19,05


**KIT "N"**



**DETAIL 2**



- a** 500 mm
- 1** Ø | 12,81 - 3/8"
- 2** Ø | 9,64 - 1/2"
- 3** Ø | 6,46 - 1/4"
- 4** Ø | 6,46 - 1/4"

CODE	DESCRIPTION	U.M.	 Pieces per box
11110530	COPPER COLLECTORS KIT "M": 2C/5UX30KW	KIT	1
11110531	COPPER COLLECTORS KIT "N": 2C/5U +1C/RX30KW	KIT	1
11110532	COPPER COLLECTORS KIT "O": 2C/8UX30KW	KIT	1
11110533	COPPER COLLECTORS KIT "P": 2C/8U+1C/RX30KW	KIT	1

[Datasheet](#)



 **BLACK NEOPRENE ADHESIVE STRIP**

**TECHNICAL SPECIFICATIONS**

- Anti-UVA neoprene adhesive
- Black colour
- Length 10 m - Thickness 3 mm - Width 50~100 mm

 **BANDE ADHÉSIVE NÉOPRÈNE NOIRE**

**CARACTÉRISTIQUES TECHNIQUES**


- Néoprène adhésif anti-UVA
- Couleur noire
- Longueur 10 m - Épaisseur 3 mm - Largeur 50~100 mm

 **NEOPREN-KLEBEBAND, SCHWARZ**

**TECHNISCHE EIGENSCHAFTEN**

- UVA geschützter Kleber Neopren
- Schwarz
- Länge 10 m - Dicke 3 mm - Breite 50~100 mm



CODE	DESCRIPTION	U.M.	 Pieces per box
11128006	BLACK NEOPRENE ADHESIVE STRIP 3x100 mm	PCS	1
11128005	BLACK NEOPRENE ADHESIVE STRIP 3x50 mm	PCS	1

**Datasheet**



**TOP LINE**

 **ADHESIVE BAND**

**TECHNICAL SPECIFICATIONS**

- Cross-linked corrugated polyethylene adhesive
- Extremely anti-UVA
- Ivory colour
- Length 10 m - Thickness 3 mm - Width 50 mm

 **BANDE ADHÉSIVE**

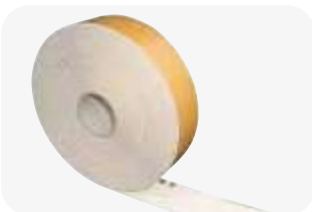
**CARACTÉRISTIQUES TECHNIQUES**

- Polyéthylène anti-adhésif réticulé ondulé
- Extrêmement anti-UVA
- Couleur ivoire
- Longueur 10 m - Épaisseur 3 mm - Largeur 50 mm

 **KLEBEBAND**

**TECHNISCHE EIGENSCHAFTEN**

- Vernetzter gewellter Polyethylen-Klebstoff
- Extrem UVA-Schutz
- Elfenbeinfarben
- Länge 10 m - Dicke 3 mm - Breite 50 mm



 **MADE IN ITALY**

CODE	DESCRIPTION	U.M.	 Pieces per box
11128000	ADHESIVE STRIP TOP LINE 3x50 mm	PCS	1

**Datasheet**



**NEW LINE**

 **ADHESIVE BAND**

**TECHNICAL SPECIFICATIONS**

- Anti-UVA polyethylene adhesive
- White colour
- Length 10 m - Thickness 3 mm - Width 50 mm

 **BANDE ADHÉSIVE**

**CARACTÉRISTIQUES TECHNIQUES**

- Polyéthylène adhésif anti-UVA
- Couleur blanc
- Longueur 10 m - Épaisseur 3 mm - Largeur 50 mm


 **KLEBEBAND**

**TECHNISCHE EIGENSCHAFTEN**

- UVA geschützter Klebstoff Polyethylen
- Weiß
- Länge 10 m - Dicke 3 mm - Breite 50 mm



 **MADE IN ITALY**

CODE	DESCRIPTION	U.M.	 Pieces per box
N11128000	ADHESIVE STRIP NEW LINE 3x50 mm	PCS	1

**Datasheet**



 **TARRED ADHESIVE STRAP**

**TECHNICAL SPECIFICATIONS**

- Ideal for preventing condensation on pipes
- The product does not require the use of adhesives, as it adheres to all surfaces and to itself
- Length 10 m - Thickness 5 mm - Width 50 mm

 **BANDAGE ADHÉSIF GOUDRONNEUX**

**CARACTÉRISTIQUES TECHNIQUES**


- Idéal pour éviter la condensation sur les tuyaux
- Le produit ne nécessite pas l'utilisation d'adhésifs car il adhère sur toutes les surfaces et sur lui-même
- Longueur 10 m - Épaisseur 5 mm - Largeur 50 mm

 **TEERKLEBEBAND**

**TECHNISCHE EIGENSCHAFTEN**

- Ideal zur Verhinderung von Kondensation an Rohren
- Das Produkt benötigt keine Klebstoffe, da es auf allen Oberflächen und auf sich selbst haftet
- Länge 10 m - Dicke 5 mm - Breite 50 mm



CODE	DESCRIPTION	U.M.	 Pieces per box
11128007	BITUMIZED-ADHESIVE TAPE 3x50 mm	PCS	1

**Datasheet**



 **NON-ADHESIVE PVC COLOURED VINYL STRAP**

**TECHNICAL SPECIFICATIONS**

- Recommended for the protection of all piping and exterior insulation
- Length from 25 to 50 m, width 10 cm



 **BANDAGE EN VINYLE COLORE EN PVC NON ADHÉSIF**

**CARACTÉRISTIQUES TECHNIQUES**

- Recommandé pour la protection de tous les tuyaux externes et l'isolation
- Longueur de 25 à 50 m, largeur 10 cm

 **NICHT KLEBENDES PVC-FARBIGES VINYL-BAND**

**TECHNISCHE EIGENSCHAFTEN**

- Empfohlen für den Schutz aller externen Rohre und Dämmungen
- Länge von 25 bis 50 m, Breite 10 cm

CODE	DESCRIPTION	U.M.	 Pieces per box
11128030	WHITE VINYL BANDS IN PVC 100 mm L. = 25mt	PCS	1
11128035	WHITE VINYL BANDS IN PVC 100 mm L. = 50mt	PCS	1
11128040	GREY VINYL BANDS IN PVC 100 mm L. = 25mt	PCS	1
11128045	GREY VINYL BANDS IN PVC 100 mm L. = 50mt	PCS	1
11128050	RED VINYL BANDS IN PVC 100 mm L. = 25mt	PCS	1
11128055	RED VINYL BANDS IN PVC 100 mm L. = 50mt	PCS	1
11128060	BLUE VINYL BANDS IN PVC 100 mm L. = 25mt	PCS	1
11128065	BLUE VINYL BANDS IN PVC 100 mm L. = 50mt	PCS	1
11128070	BLACK VINYL BANDS IN PVC 100 mm L. = 25mt	PCS	1
11128075	BLACK VINYL BANDS IN PVC 100 mm L. = 50mt	PCS	1

[Datasheet](#)



 **NON-ADHESIVE PVC ELASTIC CORRUGATED STRAP**

**TECHNICAL SPECIFICATIONS**

- PVC strap 50mm x 25m , white - grey
- Protective strap for insulated copper tubing for insulation and protection from the elements



 **BANDAGE ONDULÉ ÉLASTIQUE EN PVC NON ADHÉSIF**

**CARACTÉRISTIQUES TECHNIQUES**


- Bandage en PVC de 50 mm x 25 m - Blanc - Gris
- Bandage de protection à appliquer sur les tubes de cuivre isolés pour les isoler et les protéger des éléments

 **NICHTKLEBENDES ELASTISCHES PVC-WELLBAND**

**TECHNISCHE EIGENSCHAFTEN**

- 50 mm x 25 m PVC-Band - weiß - grau
- Schutzband zum Aufbringen auf gedämmte Kupferrohre, um sie zu isolieren und vor den Witterungseinflüssen zu schützen

 **MADE IN ITALY**

CODE	DESCRIPTION	U.M.	 Pieces per box
11128004W	WHITE CORRUGATED PVC STRIP 50 mm	PCS	1
11128004G	GREY CORRUGATED PVC STRIP 50 mm	PCS	1

[Datasheet](#)




 **CAP FOR CLOSING COPPER PIPE**



 **BOUCHON POUR FERMER UN TUBE DE CUIVRE**

 **KAPPE ZUM VERSCHLIESSEN EINES KUPFERROHRES**

CODE	DESCRIPTION	U.M.	 Pieces per box
10000014	PLUGS FOR COPPER PIPE 1/4	PCS	1
10000038	PLUGS FOR COPPER PIPE 3/8	PCS	1
10000012	PLUGS FOR COPPER PIPE 1/2	PCS	1
10000058	PLUGS FOR COPPER PIPE 5/8	PCS	1
10000034	PLUGS FOR COPPER PIPE 3/4	PCS	1

 **MADE IN ITALY**

[Datasheet](#)





# CLEANING AND MAINTENANCE PRODUCTS





## WHY IS IMPORTANT TO PERFORM MAINTENANCE?

Periodic maintenance of air conditioners is essential to ensure that the system works at maximum performance.

The refrigeration system, both in its internal and external components, is subject to the action of dust, pollution and bacteria. Once the system is put into operation, impurities spread through the air, turning into potential risks for the body.

For this reason, maintenance becomes essential to be performed at least twice a year, so that the refrigerated air is always clean.

## WHAT ARE THE ADVANTAGES?



Reduction of indoor pollution



Energy saving and electricity bill saving



Less noisy systems and less noise pollution



Prevention and constant maintenance of the system



# OUR QUICK GUIDE IN COLOUR

TECNOSYSTEMI OFFERS A WIDE RANGE OF **PROFESSIONAL PRODUCTS** FOR THE **MAINTENANCE** OF REFRIGERATION SYSTEMS.



**Cleaners, sanitizers and fresheners for indoor units**



**Detergents and sanitizers for outdoor unit**



**Other products for cleaning**



**Personal protective equipment and products**



**Equipment and accessories for air sanitization**



**Equipment and accessories for cleaning outdoor units**

*Discover our Green Line*





**UK** **FILTER CLEANER WITH SPRAYER 750 ML**

**TECHNICAL SPECIFICATIONS**

- Product formulated for cleaning and sanitising of filters of split units, box units - fan coils
- Net contents 750 ml

**FR** **NETTOYEUR DE FILTRE AVEC PULVÉRISATEUR 750 ML**

**CARACTÉRISTIQUES TECHNIQUES**

- Produit formulé pour le nettoyage et la désinfection des filtres des unités fendues, des unités de cassette - bobine de ventilateur
- Teneur nette 750 ml

**DE** **REINIGUNGSMITTEL FÜR FILTER MIT ZERSTÄUBER 750 ML**

**TECHNISCHE EIGENSCHAFTEN**

- Produkt zum Reinigen und Desinfizieren der Filter von Split-Einheiten, Facheinheiten - Fan Coil
- Nettoinhalt 750 ml



**Contains quaternary ammonium compounds**

**Video**



**Datasheet**



CODE	DESCRIPTION	U.M.	Pieces per box
SCC600099	FILTER CLEANER WITH SPRAYER 750 ML	PCS	1
SCC600113BOX	FILTER CLEANER WITH SPRAYER 750 ML	BOX	1

**PVC CLEANER**

**UK** **FOAM CLEANER FOR THE CLEANING OF DUCTS AND ACCESSORIES**

**TECHNICAL SPECIFICATIONS**

- Practical foaming spray suitable for cleaning PVC products ( trunking, accessories, etc.)
- Eliminates dust, grease and dirt in general.
- Contents 500 g
- Product subject to expiry

**FR** **DÉTERGENT EN MOUSSE POUR NETTOYER LES GOULOTTES ET LES ACCESSOIRES**

**CARACTÉRISTIQUES TECHNIQUES**

- Spray moussant pratique qui convient pour le nettoyage des produits en PVC (chemins de câbles, accessoires, etc.)
- Élimine la poussière, la graisse et la saleté en général.
- Teneur 500 gr
- Produit soumis à péremption

**DE** **SCHAUMREINIGER ZUM REINIGEN VON KANÄLEN UND ZUBEHÖR**

**TECHNISCHE EIGENSCHAFTEN**

- Praktisches Schaumspray geeignet für die Reinigung von PVC-Produkten (Kanäle, Zubehör usw.)
- Beseitigt Staub, Fett und Schmutz im Allgemeinen.
- Inhalt 500 gr
- Produkt mit Verfallsdatum



**Ideal for PVC**

**Video**



**Datasheet**



CODE	DESCRIPTION	U.M.	Pieces per box
SCC600097	FOAM CLEANER FOR THE CLEANING OF DUCTS AND ACCESSORIES	PCS	1



**UK** **BIO DEGREASER CLEANING SPRAY FOR INDOOR UNITS**

**TECHNICAL SPECIFICATIONS**

- Ready to use
- Appearance: colourless liquid
- Fragrance lemon and green tea
- Density 1.02 kg/l (± 0,05), a 20°C
- Hydrosolubility
- 100% biodegradable
- Net contents 250 ml

**FR** **DÉGRAISSANT BIO SPRAY POUR LE NETTOYAGE DES UNITÉS INTÉRIEURES**

**CARACTÉRISTIQUES TECHNIQUES**

- Prêt à l'emploi
- Aspect : liquide incolore
- Parfum citron et thé vert
- Densité 1.02 kg/l (± 0,05), a 20°C
- Solubilité dans l'eau
- 100 % biodégradable
- Teneur nette 250 ml

**DE** **BIO ENTFETTUNGSSPRAY FÜR DIE REINIGUNG DER INNENGERÄTE**

**TECHNISCHE EIGENSCHAFTEN**

- Gebrauchsfertig
- Aussehen: farblose Flüssigkeit
- Duft Zitrone & Grüntee
- Dichte 1.02 kg/l (± 0,05), a 20°C
- Wasserlöslichkeit
- 100 % biologisch abbaubar
- Nettoinhalt 250 ml



CODE	DESCRIPTION	U.M.	Pieces per box
SCC600102	BIO DEGREASER CLEANING SPRAY FOR INDOOR UNITS	PCS	1

**Datasheet**



**UK** **ORGANIC SANITISING DETERGENT FOR THE SHELLS OF AIR CONDITIONERS AND MOTOR CONDENSING UNITS**

**TECHNICAL SPECIFICATIONS**

- 750 ml bottle with trigger 100% recyclable
- Compliant with HACCP regulations
- Hypoallergenic
- Ready to use
- Scent: lemon & green tea
- 100% biodegradable

**FR** **DÉTERGENT DÉSINFECTANT ORGANIQUE POUR LES STRUCTURES DES CLIMATISSEURS ET CONDENSEURS**

**CARACTÉRISTIQUES TECHNIQUES**

- Flacon de 750 ml avec gâchette 100 % recyclable
- Conforme au règlement HACCP
- Hypoallergénique
- Prêt à l'emploi
- Parfum : citron et thé vert
- 100 % biodégradable

**DE** **BIOLOGISCHES DESINFESTIONSMITTEL FÜR DIE GEHÄUSE VON KLIMAAANLAGEN UND VERFLÜSSIGUNGSÄTZEN**

**TECHNISCHE EIGENSCHAFTEN**

- 750 ml Flasche mit Hebel 100 % recycelbar
- Entspricht der HACCP-Verordnung
- Hypoallergen
- Gebrauchsfertig
- Duft: Zitrone und grüner Tee
- 100 % biologisch abbaubar



**Do not require rinsing**

CODE	DESCRIPTION	U.M.	Pieces per box
SCC600098	ORGANIC SANITISING DETERGENT FOR THE SHELLS OF AIR CONDITIONERS AND MOTOR CONDENSING UNITS	PCS	1

**Datasheet**



**UK PURIFYING DEODORANT SPRAY FOR INDOOR UNITS**

**TECHNICAL SPECIFICATIONS**

- Practical spray with elevated purifying and deodorising capacity for long-lasting sanitising action
- Applied to previously cleaned surfaces, eliminates odours and reduces the growth and proliferation of fungi, mould, bacteria, and germs
- Available in 500ml spray
- Product subject to expiry

**FR PULVÉRISATEUR DÉSODORISANT PURIFIANT POUR UNITÉS INTÉRIEURES**

**CARACTÉRISTIQUES TECHNIQUES**

- Spray pratique avec un pouvoir purifiant et désodorisant élevé qui garantit une action désinfectante de longue durée
- Appliqué sur des surfaces préalablement nettoyées, élimine les odeurs, réduit la croissance et la prolifération des champignons, moisissures, bactéries et germes
- Disponible en spray de 500 ml
- Produit soumis à péremption

**DE REINIGENDES DEODORANT-SPRAY FÜR INNENGERÄTE**

**TECHNISCHE EIGENSCHAFTEN**

- Praktisches Spray mit hoher Reinigungs- und Desodorierungskraft, das eine lang anhaltende Desinfektionswirkung garantiert
- Auf zuvor gereinigte Oberflächen aufgetragen, beseitigt es Gerüche und reduziert das Wachstum und die Vermehrung von Pilzen, Schimmel, Bakterien und Keimen.
- Erhältlich in 500 ml Sprühpackung
- Produkt mit Verfallsdatum



Spray 500ml

Available on display countertop of 12 pieces

New formulation

CODE	DESCRIPTION	U.M.	Pieces per box
SCC600079	PURIFYING DEODORANT SPRAY FOR INDOOR UNITS	PCS	1
SCC600079BOX	PURIFYING DEODORANT SPRAY FOR INDOOR UNITS - DISPLAY (BOX 12PCS)	BOX	1

**Datasheet**

**SPLIT**

**UK INDOOR UNIT DIFFUSER**

**TECHNICAL SPECIFICATIONS**

- To be placed inside air conditioner or on fan coil coupled to filters
- Can be used with the air conditioner in hot or cold operation to perfume the air of the home, offices and all indoor environments
- Available in 4 different fragrances

**FR PARFUM POUR LES UNITÉS INTÉRIEURES**

**CARACTÉRISTIQUES TECHNIQUES**

- À placer à l'intérieur du climatiseur ou sur un ventililo-convecteur fixé aux filtres
- Peut être utilisé avec le climatiseur en fonctionnement chaud ou froid pour parfumer l'air de la maison, des bureaux et de tous les environnements fermés
- Disponible en 4 parfums différents

**DE PARFÜMIERER FÜR INNENGERÄTE**

**TECHNISCHE EIGENSCHAFTEN**

- Anbringen im Inneren der Klimaanlage oder an einem Gebläsekonvektor, der mit den Filtern verbunden ist
- Kann mit der Klimaanlage zum Heizen und Kühlen verwendet werden, um die Luft des Hauses, der Büros und aller Innenumgebungen zu parfümieren
- Erhältlich in 4 verschiedenen Duftnoten



CODE	DESCRIPTION	U.M.	Pieces per box
SCC600091BOX	DISPENSER DISPLAY FOR INDOOR UNITS - VANILLA (BOX 10 PCS)	BOX	1
SCC600092BOX	DISPENSER DISPLAY FOR INDOOR UNITS - CINNAMON (BOX 10 PCS)	BOX	1
SCC600093BOX	DISPENSER DISPLAY FOR INDOOR UNITS - GREEN APPLE (BOX 10 PCS)	BOX	1
SCC600094BOX	DISPENSER DISPLAY FOR INDOOR UNITS - WELLNESS (BOX 10 PCS)	BOX	1
SCC600095	COMPLETE DISPENSER DISPLAY FOR INDOOR UNITS - 40 DIFFUSERS (10 EACH FRAGRANCE)	PCS	1

**Datasheet**

**DETERGENT SPRAY FOR INDOOR UNIT BATTERIES**

**TECHNICAL SPECIFICATIONS**

- Practical foaming spray suitable for cleaning batteries and air conditioners
- Eliminates dust, grease and dirt in general, improving heat exchange in batteries
- Net contents 500 g
- Product subject to expiry

**DÉTERGENT ALCALIN EN SPRAY POUR BATTERIES UNITÉS INTERNES**

**CARACTÉRISTIQUES TECHNIQUES**

- Spray moussant pratique adapté au nettoyage des batteries et des climatiseurs
- Élimine la poussière, la graisse et la saleté en général, améliorant l'échange thermique des batteries
- Teneur nette 500 gr
- Produit soumis à péremption

**SPRÜHREINIGER FÜR INNEN-GERÄTEBATTERIEN**

**TECHNISCHE EIGENSCHAFTEN**

- Praktisches Schaumspray zur Reinigung von Batterien und Klimaanlage
- Beseitigt Staub, Fett und Schmutz im Allgemeinen und verbessert den Wärmeaustausch der Batterien
- Nettoinhalt 500 gr
- Produkt mit Verfallsdatum



Spray 500ml

Available on display countertop of 12 pieces

New formulation

CODE	DESCRIPTION	U.M.	Pieces per box
SCC600081	DETERGENT SPRAY FOR INDOOR UNIT BATTERIES	PCS	1
SCC600081BOX	DETERGENT SPRAY FOR INDOOR UNIT BATTERIES - DISPLAY (BOX 12 PCS)	BOX	1

Datasheet



**PURIFYING AND REFRESHING KIT FOR BATTERIES - INDOOR A/C UNITS**

**TECHNICAL SPECIFICATIONS**

**VANILLA FRAGRANCE:**

- Refresher and cleanser 200 ml can
- Refresher 200 ml with 6 cm dispensing cannula

**PINE AND LAVENDER FRAGRANCES:**

- Purifier and refresher can 200 ml
- Purifying foam 200 ml with 6 cm dispensing cannula

**KIT DE PURIFICATION ET DE RAFRAÎCHISSEMENT POUR BATTERIES - UNITÉS DE CLIMATISATION INTÉRIEURES**

**CARACTÉRISTIQUES TECHNIQUES**

**ARÔME VANILLE :**

- Bombe de 200 ml rafraîchissante et nettoyante
- Bombe rafraîchissant de 200 ml avec canule de distribution de 6 cm

**ARÔME PIN ET LAVANDE :**

- Bombe de 200 ml purifiante et rafraîchissante
- Bombe en mousse purifiante de 200 ml avec canule de distribution de 6 cm

**REINIGUNGS- UND ERFRISCHUNGSSATZ FÜR BATTERIEN - INNENRAUM-KLIMANLAGEN**

**TECHNISCHE EIGENSCHAFTEN**

**VANILLEAROMA:**

- Erfrischungs- und Reinigungsspraydose 200 ml
- Erfrischungsspraydose 200 ml mit 6 cm Abgabekannüle

**KIEFERN- UND LAVENDELAROMA:**

- Reinigungs- und Erfrischungsspraydose 200 ml
- Reinigungsschaumspraydose, 200 ml, mit 6 cm Abgabekannüle



CODE	DESCRIPTION	U.M.	Pieces per box
SCC600088	KIT PURIFYING AND REFRESHING KIT FOR BATTERIES - INDOOR UNITS - VANILLA	KIT	1
SCC600089	KIT PURIFYING AND REFRESHING KIT FOR BATTERIES - INDOOR UNITS - LAVANDER	KIT	1
SCC600090	KIT PURIFYING AND REFRESHING KIT FOR BATTERIES - INDOOR UNITS - TREE	KIT	1

Datasheet



**SELF-WASHING DETERGENT FOR BATTERIES AND FILTERS 5L**

**TECHNICAL SPECIFICATIONS**

- Specific cleaning of the batteries and filters of refrigeration and air conditioning systems
- It is non-toxic and contains no acids
- For a cleaning action: dilute in water 1:15
- For a purifying action: dilute in water 1:20

**DÉTERGENT AUTOLAVANT POUR BATTERIES ET FILTRES 5 L**

**CARACTÉRISTIQUES TECHNIQUES**

- Produit spécifique pour le nettoyage des batteries et des filtres des systèmes de réfrigération et de climatisation
- Il est non toxique et ne contient pas d'acides
- Pour une action de nettoyage : diluer dans l'eau 1:15
- Pour une action purifiante : diluer dans l'eau 1:20

**SELBSTREINIGENDES REINIGUNGSMITTEL FÜR BATTERIEN UND FILTER 5 L**

**TECHNISCHE EIGENSCHAFTEN**

- Spezifisch zur Reinigung der Batterien und Filter von Kälte- und Klimaanlage
- Ungiftig und säurefrei
- Für eine Reinigungswirkung: 1:15 in Wasser verdünnen
- Für eine Reinigungswirkung: 1:20 in Wasser verdünnen



Available in tank of 5 lt

For a cleaning action: dilute in water 1:15  
For a purifying action: dilute in water 1:20

CODE	DESCRIPTION	U.M.	Pieces per box
SCC600083	SELF-WASHING DETERGENT FOR BATTERIES AND FILTERS 5L	PCS	1

Datasheet



**SPRAY PURIFIER FOR OUTDOOR UNIT**

**PURIFICATEUR EN SPRAY POUR UNITÉ EXTERNE**

**REINIGUNGSSPRAY FÜR AUSSENGERÄT**



CODE	DESCRIPTION	U.M.	Pieces per box
SCC600084	SPRAY PURIFIER FOR OUTDOOR UNIT	PCS	1

Datasheet



**FOAMING DETERGENT FOR OUTDOOR UNIT 1 AND 5 L**

**TECHNICAL SPECIFICATIONS**

- Available in packs of 1 l and 5 l
- Ready to use, no need to dilute product

**DÉTERGENT MOUSSANT POUR UNITÉ EXTÉRIEURE 1 ET 5 L**

**CARACTÉRISTIQUES TECHNIQUES**

- Disponible en emballages de 1 litre et 5 litres
- Prêt à l'emploi, pas besoin de diluer le produit

**SCHAUMREINIGER FÜR AUSSENEINHEITEN 1 UND 5 L**

**TECHNISCHE EIGENSCHAFTEN**

- Erhältlich in Packungen mit 1 lt und 5 lt
- Gebrauchsfertig, kein Verdünnen des Produkts erforderlich



CODE	DESCRIPTION	U.M.	Pieces per box
SCC600086	FOAMING DETERGENT FOR OUTDOOR UNIT - 1L	PCS	1
SCC600087	FOAMING DETERGENT FOR OUTDOOR UNIT - 5L	PCS	1

Datasheet





 **ANTI-CORROSION SPRAY FOR OUTDOOR UNITS 400 ML**

**TECHNICAL SPECIFICATIONS**

- Suitable to prevent the oxidation of outdoor units.
- Net content 400 ml



 **SPRAY ANTI-CORROSION POUR LES UNITÉS EXTÉRIEURES 400 ML**

**CARACTÉRISTIQUES TECHNIQUES**

- Convient pour empêcher l'oxydation des unités extérieures.
- Contenu net 400 ml

 **KORROSIONSSCHUTZSPRAY FÜR AUSSENGERÄTE 400 ML**

**TECHNISCHE EIGENSCHAFTEN**

- Geeignet, um die Oxidation von Außengeräten zu verhindern.
- Nettoinhalt 400 ml

CODE	DESCRIPTION	U.M.	Pieces per box
SCC600096	ANTI-CORROSION SPRAY FOR OUTDOOR UNITS 400 ML	PCS	1

**Datasheet**



 **ACID DETERGENT FOR CONDENSING UNIT**

**TECHNICAL SPECIFICATIONS**

- Suitable for cleaning and removing limestone residues
- Apply product, leave for 10 minutes and rinse with water
- Dilute in water 1:6
- 1 litre container



 **NETTOYANT ACIDE POUR CONDENSEUR**

**CARACTÉRISTIQUES TECHNIQUES**

- Convient pour le nettoyage et l'élimination des résidus de calcaire
- Appliquer le produit, laisser agir 10 minutes et rincer à l'eau
- Diluer dans l'eau 1:6
- Emballage de 1 litre

 **SAURER REINIGER FÜR KONDENSATOREN**

**TECHNISCHE EIGENSCHAFTEN**

- Geeignet zum Reinigen und Entfernen von Kalksteinresten
- Das Produkt auftragen, 10 Minuten einwirken lassen und mit Wasser abspülen
- In Wasser 1:6 verdünnen
- 1 Liter Packung

CODE	DESCRIPTION	U.M.	Pieces per box
SCC600112	ACID DETERGENT FOR CONDENSING UNIT - 750 ML	PCS	1

**Datasheet**



 **ALKALINE DETERGENT SPRAY FOR CONDENSING UNITS 500 ML**

**TECHNICAL SPECIFICATIONS**


- Suitable for removing organic residues, greases, oils and residues caused by smog
- High delivery pressure
- Ideal for cleaning hard-to-reach condensers
- Net contents 500 ml



 **DÉTERGENT ALCALIN EN SPRAY POUR CONDENSATEURS 500 ML**

**CARACTÉRISTIQUES TECHNIQUES**

- Convient pour éliminer les résidus organiques, les graisses, les huiles et les résidus causés par le smog
- Pression d'alimentation élevée
- Idéal pour nettoyer les condensateurs difficiles à atteindre
- Teneur nette 500 ml

 **ALKALISCHER SPRÜHREINIGER FÜR KONDENSATOREN 500 ML**

**TECHNISCHE EIGENSCHAFTEN**

- Geeignet zur Entfernung von organischen Rückständen, Fetten, Ölen und Rückständen, die durch Smog verursacht werden
- Hoher Förderdruck
- Ideal zur Reinigung von schwer zugänglichen Kondensatoren
- Nettoinhalt 500 ml

CODE	DESCRIPTION	U.M.	Pieces per box
SCC600110	ALKALINE DETERGENT SPRAY FOR CONDENSING UNITS 500 ML	PCS	1

**Datasheet**



 **ALKALINE DETERGENT FOR 750 ML AND 5 L CONDENSING UNIT**

**TECHNICAL SPECIFICATIONS**  
**COD. SCC600111**

- Suitable for removing organic residues, greases, oils and residues caused by smog
- Apply product, leave for 5 minutes and rinse with water lance
- Ready to use
- 750 ml trigger spray bottle

**COD. SCC600109**

- Suitable for removing organic residues, greases, oils and residues caused by smog
- Apply product, leave for 5 minutes and rinse with water lance
- Dilute in water 1:6
- 5 litre container

 **DÉTERGENT ALCALIN POUR CONDENSATEURS DE 750 ML ET 5 L**

**CARACTÉRISTIQUES TECHNIQUES**  
**COD. SCC600111**

- Convient pour éliminer les résidus organiques, les graisses, les huiles et les résidus causés par le smog
- Appliquez le produit, laissez agir pendant 5 minutes et rincez à l'aide d'une lance à eau
- Prêt à l'emploi
- Emballage déclencheur de 750 ml

**COD. SCC600109**

- Convient pour éliminer les résidus organiques, les graisses, les huiles et les résidus causés par le smog
- Appliquez le produit, laissez agir pendant 5 minutes et rincez à l'aide d'une lance à eau
- Diluer dans l'eau 1:6
- Emballage de 5 litre

 **ALKALISCHES REINIGUNGSMITTEL FÜR 750 ML - UND 5-L-KONDENSATOREN**


**TECHNISCHE EIGENSCHAFTEN**  
**COD. SCC600111**

- Geeignet zur Entfernung von organischen Rückständen, Fetten, Ölen und Rückständen, die durch Smog verursacht werden
- Produkt auftragen, 5 Minuten einwirken lassen und mit einer Wasserlanze abspülen
- Gebrauchsfertig
- Trigger Packung je 750 ml

**COD. SCC600109**

- Geeignet zur Entfernung von organischen Rückständen, Fetten, Ölen und Rückständen, die durch Smog verursacht werden
- Produkt auftragen, 5 Minuten einwirken lassen und mit einer Wasserlanze abspülen
- In Wasser 1:6 verdünnen
- 5 Liter Packung



CODE	DESCRIPTION	U.M.	 Pieces per box
SCC600111	ALKALINE DETERGENT FOR 750 ML AND 5 L CONDENSING UNIT	PCS	1
SCC600109	ALKALINE DETERGENT FOR 750 ML AND 5 L CONDENSING UNIT	PCS	1



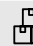
 **CONDENSATE WATER SANITISING TABLET JAR**

 **POT DE PASTILLES DÉSINFECTANTES POUR EAU DE CONDENSAT**

 **DOSE MIT DESINFEKTIONSPADS FÜR KONDENSWASSER**



**For indoor units**

CODE	DESCRIPTION	U.M.	 Pieces per box
SCC600100	CONDENSATE WATER SANITISING TABLET JAR	PCS	1



 **SANITIZING TABLETS FOR CONDENSATE WATER**

 **PASTILLES DÉINFECTANTES POUR EAU DE CONDENSATION**

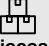
 **HYGIENISCHE TABLETTE FÜR KONDENSWASSER**



For fan coil

[Datasheet](#)



CODE	DESCRIPTION	U.M.	 Pieces per box
SCC600101	SANITIZING TABLETS FOR CONDENSATE WATER	PCS	1

 **DETERGENT FOR CONDENSATE DRAIN AIR CONDITIONERS 1 L**

**TECHNICAL SPECIFICATIONS**  
**COD. SCC600111**

- 1 litre container
- Dilute in water from 3 to 20%\*

 **DÉTERGENT POUR VIDANGE DES CONDENSATS DES CONDITIONNEURS 1 L**

**CARACTÉRISTIQUES TECHNIQUES**  
**COD. SCC600111**

- Emballage de 1 litre
- Diluer dans l'eau de 3 à 20 %\*

 **KONDENSATABLAUFREIIGER FÜR KLIMAAANLAGEN 1 L**

**TECHNISCHE EIGENSCHAFTEN**  
**COD. SCC600111**


- 1 Liter Packung
- In Wasser von 3 bis 20 % verdünnen\*

\* From 3 to 20% depending on how much dirt needs to be eliminated



[Datasheet](#)



CODE	DESCRIPTION	U.M.	 Pieces per box
SCC600085	DETERGENT FOR CONDENSATE DRAIN AIR CONDITIONERS 1 L	PCS	1

**PROTECTIVE COVER FOR CLEANING OF THE SPLIT UNITS**

**TECHNICAL SPECIFICATIONS**

- Waterproof PVC material with back elastic
- Complete with connection for the drainage of washing water

**BÂCHE DE PROTECTION POUR LE NETTOYAGE DES UNITÉS SPLIT**

**CARACTÉRISTIQUES TECHNIQUES**

- Matériau PVC imperméable avec élastique postérieur
- Doté de raccord pour le drainage de l'eau de lavage

**SCHUTZABDECKUNG ZUR REINIGUNG DER SPLIT-EINHEITEN**

**TECHNISCHE EIGENSCHAFTEN**

- Wasserdichtes PVC-Material mit rückseitigem Gummizug
- Komplett mit Anschluss für die Ableitung von Reinigungswasser



**SCC600103**

Dimension suitable for:  
9000BTU - 12000BTU - 18000BTU A/C UNIT

**SCC600104**

Dimension suitable for:  
18000BTU - 24000BTU - 36000BTU A/C UNIT

[Datasheet](#)



CODE	DESCRIPTION	U.M.	Pieces per box
SCC600103	PROTECTIVE COVER FOR CLEANING OF THE SPLIT UNITS - MOD. SMALL	PCS	1
SCC600104	PROTECTIVE COVER FOR CLEANING OF THE SPLIT UNITS - MOD. BIG	PCS	1

**PROTECTIVE COVER FOR CLEANING OF THE BOX UNITS**

**TECHNICAL SPECIFICATIONS**

- Waterproof PVC material with back elastic
- Complete with connection for the drainage of washing water and fixing cables

**BÂCHE DE PROTECTION POUR LE NETTOYAGE DES UNITÉS À TIROIRS**

**CARACTÉRISTIQUES TECHNIQUES**

- Matériau PVC imperméable avec élastique postérieur
- Dotés de raccord pour le drainage de l'eau de lavage et de câbles de fixation

**SCHUTZABDECKUNG ZUR REINIGUNG DER KASSETTE-NEINHEITEN**

**TECHNISCHE EIGENSCHAFTEN**

- Wasserdichtes PVC-Material mit rückseitigem Gummizug
- Komplett mit Anschluss für die Ableitung von Reinigungswasser und Befestigungskabeln



[Datasheet](#)



CODE	DESCRIPTION	U.M.	Pieces per box
SCC600105	PROTECTIVE COVER FOR CLEANING OF THE BOX UNITS	PCS	1



**PROFESSIONAL PROTECTIVE COVER KIT FOR THE CLEANING OF SPLIT UNITS - SMALL MODEL**

**TECHNICAL SPECIFICATIONS**

- Waterproof PVC material with back elastic
- Complete with connection for the drainage of washing water
- Equipped with lateral plastic tarp tensioners, to facilitate insertion onto the machine
- Equipped with transparent front protection tarp with holes for sprayer insertion
- Condensate drain pipe supplied

**KIT BÂCHE DE PROTECTION PROFESSIONNELLE POUR NETTOYAGE DES UNITÉS SPLIT - PETIT MODÈLE**

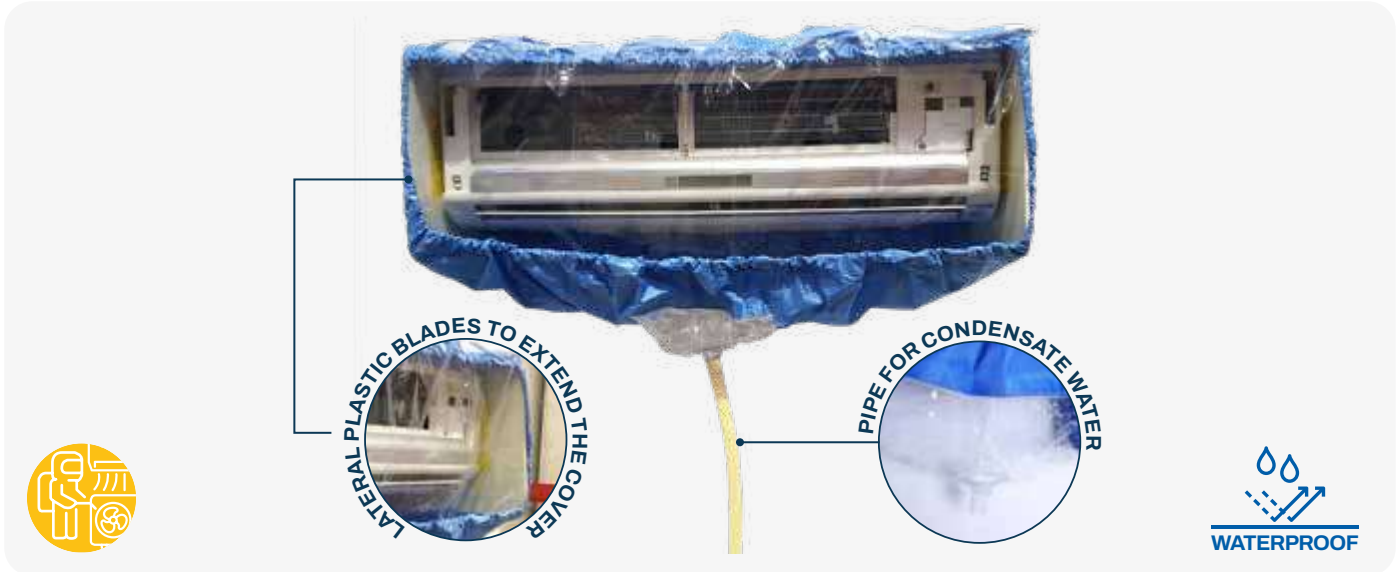
**CARACTÉRISTIQUES TECHNIQUES**

- Matériau PVC imperméable avec élastique postérieur
- Doté de raccord pour le drainage de l'eau de lavage
- Équipé de tendeurs latéraux en plastique pour faciliter l'insertion sur la machine
- Équipé d'une feuille de protection avant transparente avec des trous pour l'insertion du pulvérisateur
- Tuyau de vidange du condensat fourni

**PROFESSIONELLES SCHUTZ-ZABDECKUNGSSATZ FÜR DIE REINIGUNG VON SPLIT-EINHEITEN - MODELL SMALL**

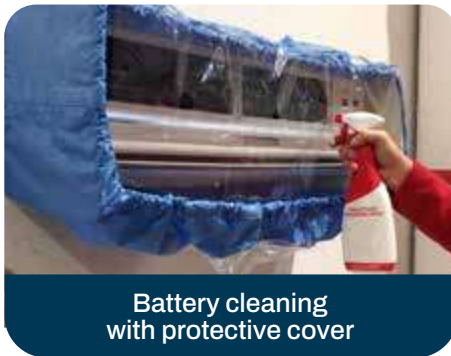
**TECHNISCHE EIGENSCHAFTEN**

- Wasserdichtes PVC-Material mit rückseitigem Gummizug
- Komplett mit Anschluss für die Ableitung von Reinigungswasser
- Ausgestattet mit seitlichen Kunststoffpaletten zur Spannung der Bahn, um das Einsetzen in die Maschine zu erleichtern
- Ausgestattet mit einem transparenten Frontschutztuch mit Löchern zum Einsetzen der Sprühdüse
- Mitgeliefertes Kondensatableitungsrohr



**SCC600106**  
Dimension suitable for: 9000BTU - 12000BTU - 18000BTU A/C UNIT

**SCC600107**  
Dimension suitable for: 18000BTU - 24000BTU - 36000BTU A/C UNIT



**Datasheet**

CODE	DESCRIPTION	U.M.	Pieces per box
SCC600106	PROFESSIONAL PROTECTIVE COVER KIT FOR THE CLEANING OF SPLIT UNITS - MOD. SMALL	PCS	1
SCC600107	PROFESSIONAL PROTECTIVE COVER KIT FOR THE CLEANING OF SPLIT UNITS - MOD. BIG	PCS	1



**4X4 M NYLON FLOOR PROTECTION SHEET**

**TECHNICAL SPECIFICATIONS**

- Nylon cover sheet
- Dimensions 4 x 4 m - 16 m<sup>2</sup>

**BÂCHE DE PROTECTION POUR SOL EN NYLON 4 X 4 M**

**CARACTÉRISTIQUES TECHNIQUES**

- Bâche en nylon
- Dimensions 4 x 4 m - 16 m<sup>2</sup>

**NYLON-BODENSCHUTZFOLIE 4X4 M**

**TECHNISCHE EIGENSCHAFTEN**

- Nylon-Abdeckfolie
- Abmessungen 4 x 4 m - 16 m<sup>2</sup>



**Datasheet**

CODE	DESCRIPTION	U.M.	Pieces per box
SCC600114	4X4 M NYLON FLOOR PROTECTION SHEET	PCS	1



**ULTRA HYDRO**



**ULTRA HYDRO CLEAN MACHINE LIGHT BATTERY 12V**

**TECHNICAL SPECIFICATIONS**

- Tank capacity 5 L
- Water use temperature 0-60°C
- Operating pressure 5 bar
- Water flow 2 L/min
- Lithium-ion battery power supply, rechargeable 12 V 2200 mah
- Power 45 W
- Battery charger included
- Battery charging time 3 h
- Battery discharge time 30 minutes
- 2m PVC hose

**ULTRA HYDRO CLEAN MACHINE LIGHT BATTERY 12V**

**CARACTÉRISTIQUES TECHNIQUES**

- Capacité du réservoir 5 l
- Température d'utilisation de l'eau 0-60°C
- Pression de service 5 bar
- Débit d'eau 2 l/min
- Alimentation batterie lithium-ion, rechargeable 12 V 2200 mah
- Puissance 45 W
- Chargeur de batterie inclus
- Temps de charge de la batterie 3 h
- Temps de décharge de la batterie 30 minutes
- Tuyau en PVC 2m

**ULTRA HYDRO CLEAN MACHINE LIGHT BATTERY 12V**

**TECHNISCHE EIGENSCHAFTEN**

- Fassungsvermögen Tank 5 l
- Wasserverwendungstemperatur 0-60°C
- Betriebsdruck 5 bar
- Wasserdurchsatz 2 l/min
- Versorgung mittels Lithium-Ionen-Akku, wiederaufladbar 12 V 2200 mAh
- Leistung 45 W
- Ladegerät im Lieferumfang enthalten
- Akku-Ladezeit 3 h
- Akku-Ladezeit 30 Minuten
- 2 m PVC-Schlauch



**Datasheet**

CODE	DESCRIPTION	U.M.	Pieces per box
SCC600108	ULTRA HYDRO CLEAN MACHINE LIGHT BATTERY 12V	PCS	1



 **ULTRA VAPOR CLEAN MACHINE**

**TECHNICAL SPECIFICATIONS**

- Operating temperature 120° C
- Maximum operating pressure 4 bar
- Tank capacity 1 L
- Aluminium boiler
- Steam production in 4-5 min
- Use 25 min
- Voltage 220 V - 50 Hz
- Power 1500 W
- Dimensions 300 x 160 x 220 mm
- Weight 3 kg

 **ULTRA VAPOR CLEAN MACHINE**

**CARACTÉRISTIQUES TECHNIQUES**

- Température d'exercice 120° C
- Pression maximale de service 4 bar
- Capacité du réservoir 1 l
- Chaudière en aluminium
- Production de vapeur en 4-5 min
- Utilisation 25 min
- Tension 220 V - 50 hz
- Puissance 1500 W
- 300 x 160 x 220 mm
- Poids 3 kg

 **ULTRA VAPOR CLEAN MACHINE**

**TECHNISCHE EIGENSCHAFTEN**

- Betriebstemperatur 120° C
- Maximaler Betriebsdruck 4 bar
- Fassungsvermögen Tank 1 l
- Aluminiumkessel
- Dampferzeugung in 4-5 min
- Verwendung 25 min
- Spannung 220 V - 50 Hz
- Leistung 1500 W
- Abmessungen 300 x 160 x 220 mm
- Gewicht 3 kg



**IT SANITISES AT 120°**  
IDEAL FOR THE SANITATION  
OF AIR CONDITIONERS, FAN COILS,  
COILS AND FILTERS



It sanitises thoroughly thanks to the power of the steam

Adjustable steam pressure

Gun with ergonomic handle with start button

Equipped with adjustable shoulder strap  
for comfortable use and carrying

[Datasheet](#)

CODE	DESCRIPTION	U.M.	 Pieces per box
SCC600118	ULTRA VAPOR CLEAN MACHINE	PCS	1

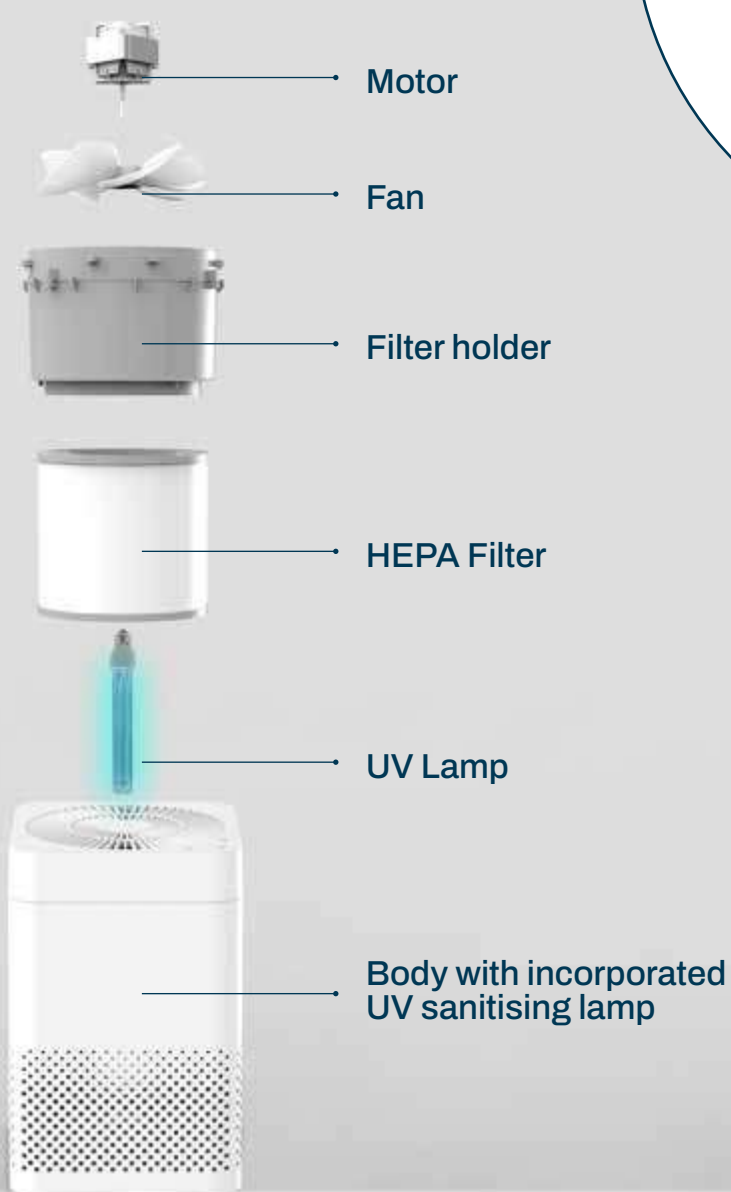






# AIR CLEAN UV 14 m<sup>2</sup>

Purify every single room  
thanks to the HEPA filter  
and the UV lamp





**ULTRA VAPOR CLEAN MACHINE**

**TECHNICAL SPECIFICATIONS**

- Operating temperature 120° C
- Maximum operating pressure 4 bar
- Tank capacity 1 L
- Aluminium boiler
- Steam production in 4-5 min
- Use 25 min
- Voltage 220 V - 50 Hz
- Power 1500 W
- Dimensions 300 x 160 x 220 mm
- Weight 3 kg

**ULTRA VAPOR CLEAN MACHINE**

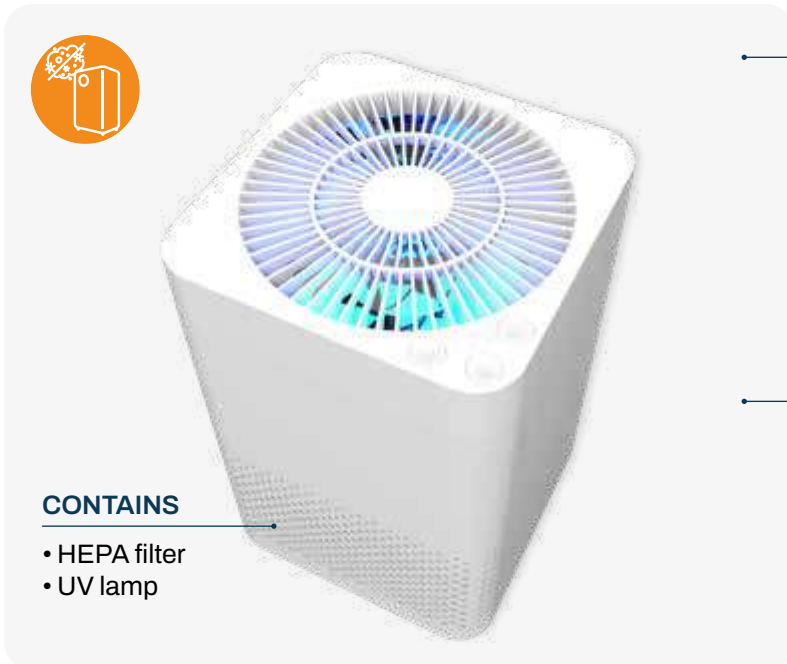
**CARACTÉRISTIQUES TECHNIQUES**

- Température d'exercice 120° C
- Pression maximale de service 4 bar
- Capacité du réservoir 1 l
- Chaudière en aluminium
- Production de vapeur en 4-5 min
- Utilisation 25 min
- Tension 220 V - 50 hz
- Puissance 1500 W
- 300 x 160 x 220 mm
- Poids 3 kg

**ULTRA VAPOR CLEAN MACHINE**

**TECHNISCHE EIGENSCHAFTEN**

- Betriebstemperatur 120° C
- Maximaler Betriebsdruck 4 bar
- Fassungsvermögen Tank 1 l
- Aluminiumkessel
- Dampferzeugung in 4-5 min
- Verwendung 25 min
- Spannung 220 V - 50 Hz
- Leistung 1500 W
- Abmessungen 300 x 160 x 220 mm
- Gewicht 3 kg



**CONTAINS**

- HEPA filter
- UV lamp

**AIR QUALITY INDICATOR**

- Blue (pm 2,5= 0 ~ 50) - **Excellent**
- Green (pm 2,5= 50 ~ 100) - **Good**
- Purple (pm 2,5= 100 ~ 150) - **Normal**
- Red (pm 2,5= 150 ~ ) - **Poor**

**IDEAL FOR**

- Offices
- Bedrooms
- Kitchen/Living room
- Boutiques
- Medical practices
- Beauty centres
- Small commercial establishments



**Datasheet**

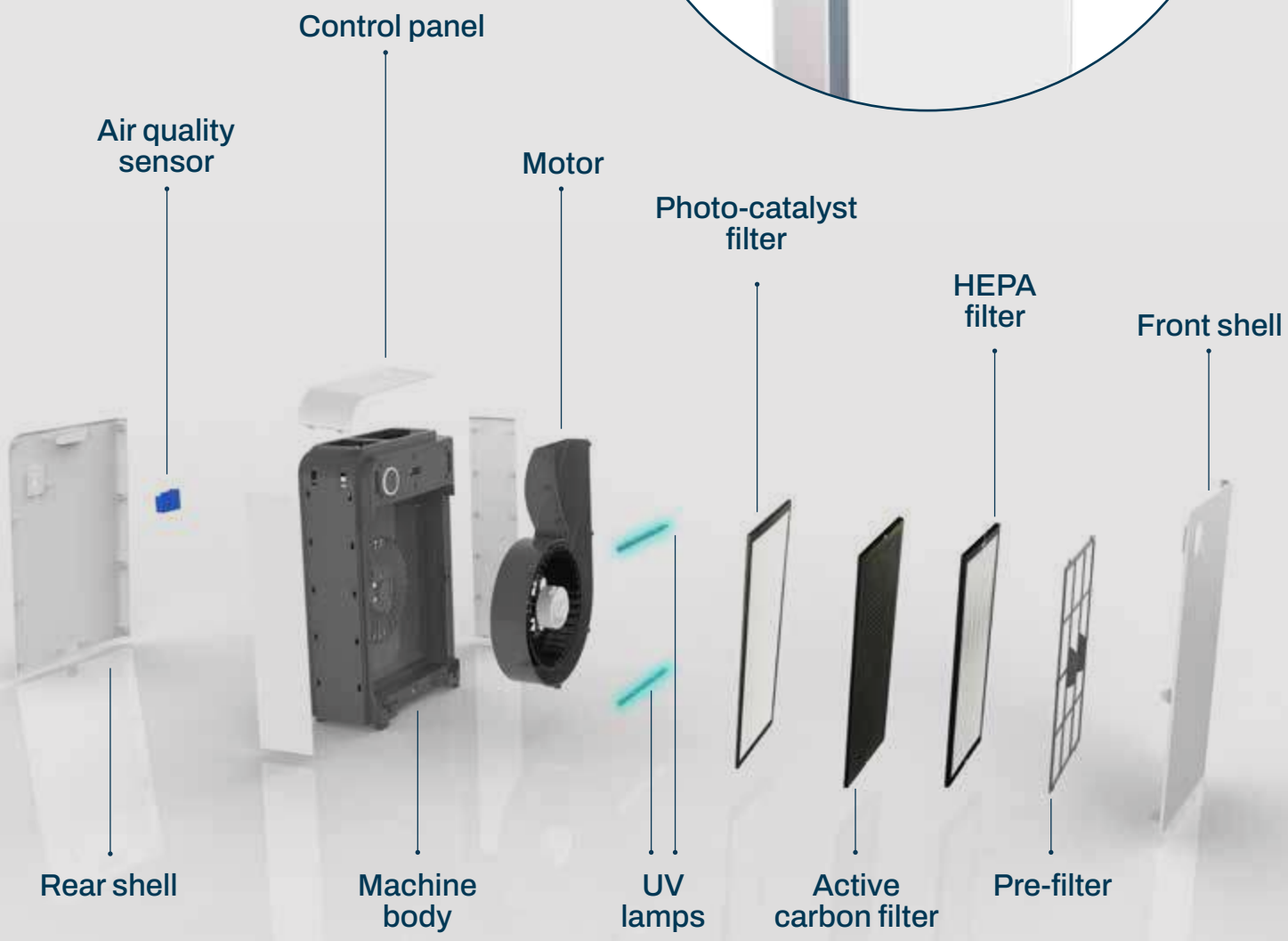
CODE	DESCRIPTION	U.M.	Pieces per box
SCC600115	AIR PURIFIER FOR ENVIRONMENTS WITH UV LAMPS, HEPA FILTER AIR CLEAN UV 14 M <sup>2</sup>	PCS	1





# AIR CLEAN UV 14 m<sup>2</sup>

Purify every single room thanks to the Photocatalyst filter, the HEPA filter, the active carbon filter and the UV lamps



**AIR PURIFIER FOR ENVIRONMENTS WITH UV LAMPS**

**TECHNICAL SPECIFICATIONS**

- Clean air emission rate (CADR) 310 m<sup>3</sup>/h
- 6-stage filtration:
  1. Prefiltro
  2. HEPA filter
  3. Activated carbon filter
  4. Photoinitiator filter
  5. UV lamp
  6. Negative ion function
- Area of use 60 m<sup>2</sup>
- Voltage 220 V, 50 Hz

**PURIFICATEUR D'AIR POUR ENVIRONNEMENTS AVEC LAMPES UV**

**CARACTÉRISTIQUES TECHNIQUES**

- Débit d'émission dans l'air pur (CADR) 310 m<sup>3</sup>/h
- Filtration en 6 étapes :
  1. Prefiltro
  2. Filtre HEPA
  3. Filtre à charbons actifs
  4. Filtre photocatalyseur
  5. Lampe UV
  6. Fonction ions négatifs
- Surface d'utilisation 60 m<sup>2</sup>
- Tension 220 V, 50 Hz

**RAUMLUFTREINIGER MIT UV-LAMPEN**

**TECHNISCHE EIGENSCHAFTEN**

- Emissionsrate für saubere Luft (CADR) 310 m<sup>3</sup>/h
- 6-stufige Filtration:
  1. Prefiltro
  2. HEPA-Filter
  3. Aktivkohlefilter
  4. Fotokatalysatorfilter
  5. UV-Lampe
  6. Negative Ionenfunktion
- Nutzfläche 60 m<sup>2</sup>
- Spannung 220 V, 50 Hz



**AIR QUALITY INDICATOR**

- Blue (pm 2,5= 0 ~ 50) - **Excellent**
- Green (pm 2,5= 50 ~ 100) - **Good**
- Purple (pm 2,5= 100 ~ 150) - **Normal**
- Red (pm 2,5= 150 ~ ) - **Poor**

**IDEAL FOR**

- Offices
- Bedrooms
- Kitchen/Living room
- Boutiques
- Medical practices
- Beauty centres
- Small commercial establishments

**CONTAINS**

- HEPA filter
- Prefilter
- Active carbon filter
- Photocatalyst filter
- UV lamp



Setting of UV function and negative ions function



Air quality indication



Fan speed



Setting timer



Night and automatic mode



Switching ON/OFF

CODE	DESCRIPTION	U.M.	Pieces per box
SCC600116	AIR PURIFIER FOR ENVIRONMENTS WITH UV LAMPS - AIR CLEAN UV 60 M <sup>2</sup>	PCS	1

**Datasheet**



# NEW SPARE PARTS CATALOGUE 2025



SCAN THE  
QR CODE







CODE	PAG.
10000012	251
10000014	251
10000034	251
10000038	251
10000058	251
11000070	180
11000910	141
11000930	141
11100004	159
11100005	158
11100009	158
11100022	160
11100025	153
11100026	153
11100027	153
11100028	163
11100029	163
11100031	153
11100035	163
11100040	163
11100041	164
11100042	164
11100057	160
11100058	160
11100059	160
11100067	178
11100069	205
11100072	178
11100073	178
11100074	178
11100075	178
11100076	178
11100078	178
11100094	54
11100095	53
11100095V	53
11100098	56
11100098V	56
11100100	95
11100100F	93
11100101	95
11100101F	93
11100105	95
11100116	52
11100116V	52
11100117	51
11100117V	51

CODE	PAG.
11100119	55
11100119V	55
11100120	58
11100120V	58
11100122	57
11100122V	57
11100125	60
11100130	53-54, 56-58
11100140	59
11100203	215
11100210	214
11100220	215
11105001	183
11105002	185
11105011	183
11105021	183
11105030	183
11105040	189
11105041	189
11105042	189
11105059	203
11105060	201
11105060V	202
11105061	204
11105066	201
11105066V	202
11105067	204
11105068	201
11105068V	202
11105071	203
11105072	203
11105073	205
11105080	189
11105085	189
11105090	181
11105110	208
11105120	208
11105130	208
11105140	208
11105340A	191
11105340N	191
11105350A	191
11105350N	191
11105360A	191
11105360N	191
11105361A	191

CODE	PAG.
11105361N	191
11105365	192
11105400	196
11105405	197
11106001	38
11106002	38
11106003	38
11106004	38
11106005	38
11106006	38
11106007	39
11106008	39
11106009	39
11106010	39
11106011	39
11106013	40
11106014	40
11106015	40
11106019	40
11106020	40
11106021	40
11106027	41
11106028	41
11106029	41
11106031	42
11106032	42
11106033	42
11106034	42
11106035	41
11106036	41
11106037	41
11106038	43
11106039	43
11106040	43
11106041	43
11106042	43
11106043	43
11106044	42
11110012	240
11110012W	240
11110038	240
11110038W	240
11110058	240
11110058W	240
11110065	240
11110065W	240
11110068	240

CODE	PAG.
11110068W	240
11110108	240
11110108W	240
11110158	240
11110158W	240
11110412	238
11110412W	238
11110414	238
11110414W	238
11110434	238
11110438	238
11110438W	238
11110458	238
11110512	239
11110512W	239
11110514	239
11110514W	239
11110520	248
11110521	248
11110524	248
11110530	249
11110531	249
11110532	249
11110533	249
11110534	239
11110538	239
11110538W	239
11110558	239
11110596	246
11110597	246
11110598	247
11110599	247
11110600	246
11110601	246
11110602	246
11110603	246
11110604	246
11110605	246
11110606	246
11110607	246
11110608	246
11110609	246
11110610	246
11110611	246
11110612	247
11110613	247
11110614	247

CODE	PAG.
11110615	247
11110616	247
11110617	247
11110618	246
11110619	246
11110620	247
11110622	246
11110623	246
11110624	247
11110630	247
11110631	247
11110632	247
11110633	247
11110634	247
11110635	247
11110636	247
11110637	247
11120010	11
11120060	11
11120072	11
11125015	28
11126000	73
11126001	73
11126002	73
11126003	73
11126004	77
11126008	90
11126010	73
11126020	74
11126022	74
11126030	74
11126032	74
11126040	75
11126042	75
11126052	75
11126309	90
11126310	80
11126311	80
11126312	80
11126313	80
11126314	81
11126315	79, 82
11126316	64
11126317	81
11126318	90
11126320	68
11126321	89
11126322	89
11126322B	86

CODE	PAG.
11126324	79
111263268	72
111263274	72
11126328	72
11126339	75
11126340	75
11126341	75
11126344	61
11126344T	69
11126345	62
11126346	71
11126346T	70
11126353	78
11126354	78
11126355	78
11126359	78
11126362	77
11126365	73
11126391	80
11126392	80
11126393	80
11126394	80
11126395	81
11126396	81
11127993	242
11127994	242
11127995	242
11127996	242
11127997	242
11127998	242
11127999	242
11128000	250
11128004G	251
11128004W	251
11128005	250
11128006	250
11128007	250
11128010	230
11128030	251
11128035	251
11128040	251
11128045	251
11128050	251
11128055	251
11128060	251
11128065	251
11128070	251
11128075	251
11130062	33

CODE	PAG.
11130075	33
11130100	33
11132199	235
11132199G	234
11135051	247
11135053	247
11135054	247
11135055	247
11135056	247
11135057	247
11135058	247
11135059	247
11135060	247
11135101	247
11135102	247
11135103	247
11135104	247
11135105	247
11135109	247
11135121	248
11135122	248
11135123	248
11135124	248
11135125	248
11135126	248
11135127	248
11161930	232
11161940	232
12000005	218
12000006	218
12000007	218
12000008	218
12000009	218
12000027	229
12000028	229
12000036	229
12000037	229
12000040	231
12000041	231
12000055	230
12170011	126
12170012	126
12170013	126
12170014	134
12170018	134
12170020	134
12170027	126
12170029	134
12170036	105

CODE	PAG.
12170037	105
12170037G	110
12170038	105
12170039	107
12170040	107
12170041	133
12170042	131
12170046	105
12170047	133
12170048	135
12170055	131
12170064	134
12170066	134
12170070	129
12170071	129
12170076	130
12170077	130
12170078	105
12170079	105
12170086	130
12170087	130
12170088	130
12170089	130
12170090	130
12170091	130
12170092	130
12170093	105
12170094	105
12170095	107
12170096	107
12170100	117
12170100L	117
12170105	123
12170106	123
12170107	123
12170145	132
12170146	132
12170147	132
12170148	132
12170149	132
12170150	132
12170151	133
12170155	134
12170160	134
12170200	120
12170210	120
12170300	113
12170310	113
12170320	113

CODE	PAG.	CODE	PAG.	CODE	PAG.	CODE	PAG.
12170330	113	SCC300017	98	SCC600072	243	SCD100098	41
B-11130062	32	SCC300018	98	SCC600073	243	SCD100099	12
B-11130075	32	SCC300019	98	SCC600074	243	SCD100100	12
B-11130100	32	SCC300020	98	SCC600075	243	SCD100101	12
B-E11120010	10	SCC300021	98	SCC600076	243	SCD100102	35
B-E11120060	10	SCC300022	98	SCC600077	229	SCD100103	35
B-E11120072	10	SCC300024	90	SCC600078	229	SCD100104	35
B-N11120010	10	SCC500001	205	SCC600079	257	SCD100112	38
B-N11120060	10	SCC500002	205	SCC600079BOX	257	SCD100113	38
B-N11120072	10	SCC500003	205	SCC600081	258	SCD100114	39
E111100128	241	SCC500005	206	SCC600081BOX	258	SCD100115	40
E111100388	241	SCC500006	206	SCC600083	259	SCD100116	40
E11120010	11	SCC500007	206	SCC600084	259	SCD100117	41
E11120060	11	SCC500008	206	SCC600085	262	SCD100118	42
E11120072	11	SCC500012	181	SCC600086	259	SCD100119	42
KIT87	69, 74	SCC500013	205	SCC600087	259	SCD100120	43
KIT88	70, 74	SCC500018	179	SCC600088	258	SCD100123	33
N11110012	241	SCC500019	179	SCC600089	258	SCD100124	35
N11110038	241	SCC500020	179	SCC600090	258	SCD100126	29
N11120010	11	SCC500021	179	SCC600091BOX	257	SCD100129	40
N11120060	11	SCC500022	179	SCC600092BOX	257	SCD100130	41
N11120072	11	SCC500023	179	SCC600093BOX	257	SCD100134	217
N11122000	28	SCC500024	179	SCC600094BOX	257	SCD100135	217
N11122001	28	SCC500025	179	SCC600095	257	SCD100136	33
N11128000	250	SCC500026	179	SCC600096	260	SCD100137	39
R11110003	242	SCC500027	179	SCC600097	255	SCD100138	40
R11110004	242	SCC500028	179	SCC600098	256	SCD100139	40
R11110005	242	SCC500029	179	SCC600099	255	SCD100140	41
R11110006	242	SCC500033	180	SCC600100	261	SCD100141	43
R11110007	242	SCC500034	180	SCC600101	262	SCD100142	38
R11110008	242	SCC500035	180	SCC600102	256	SCD100143	38
R11110009	242	SCC600001	218	SCC600103	263	SCD100144	38
R11110010	242	SCC600002	218	SCC600104	263	SCD100179	43
R11110012	242	SCC600009	216	SCC600105	263	SCD100180	43
R11110412	239	SCC600014	235	SCC600106	264	SCD100228	43
R11110414	239	SCC600015	235	SCC600107	264	SCD100229	43
R11110434	239	SCC600016	235	SCC600108	265	SCD100244	37
R11110438	239	SCC600017	235	SCC600109	261	SCD100245	37
R11110458	239	SCC600021	214-215	SCC600110	260	SCD100246	37
RIC00284	98	SCC600063	243	SCC600111	261	SCD100247	37
RIC00285	98	SCC600064	243	SCC600112	260	SCD100248	37
SCC100003	29	SCC600065	243	SCC600113BOX	255	SCD100249	37
SCC300001	90	SCC600066	243	SCC600114	265	SCD100250	37
SCC300005	72	SCC600067	243	SCC600115	268	SCD100251	37
SCC300006	72	SCC600068	243	SCC600116	270	SCD100253	37
SCC300007	75	SCC600069	243	SCC600118	266	SCD100254	37
SCC300014	99	SCC600070	243	SCD100093	39	SCD100255	37
SCC300015	99	SCC600071	243	SCD100094	39	SCD100257	37
SCC300016	99			SCD100096	40	SCD100258	37

CODE	PAG.	CODE	PAG.	CODE	PAG.	CODE	PAG.
SCD100259	37	SCD100419	39	SCD100572	26	SCD200003	50
SCD100260	29	SCD100421	39	SCD100573	26	SCD200004	49
SCD100261	29	SCD100422	39	SCD100574	26	SCD200009	60
SCD100262	29	SCD100423	39	SCD100575	24	SCD200010	60
SCD100263	29	SCD100424	40	SCD100576	24	SCD200013	48
SCD100264	29	SCD100425	40	SCD100577	24	SCD300002	62
SCD100266	37	SCD100426	40	SCD100578	26	SCD300003	71
SCD100267	37	SCD100427	40	SCD100579	26	SCD300004	88
SCD100268	37	SCD100428	40	SCD100580	26	SCD300005	88
SCD100270	37	SCD100429	40	SCD100581	24	SCD300006	88
SCD100271	37	SCD100430	39	SCD100582	24	SCD300007	88
SCD100272	37	SCD100431	40	SCD100583	24	SCD300008	78
SCD100372	38	SCD100432	41	SCD100584	22	SCD300009	78
SCD100373	38	SCD100433	41	SCD100585	22	SCD300010	78
SCD100374	38	SCD100435	41	SCD100586	22	SCD300011	78
SCD100375	38	SCD100436	41	SCD100587	22	SCD300012	78
SCD100376	38	SCD100437	42	SCD100588	22	SCD300013	78
SCD100377	38	SCD100438	42	SCD100589	22	SCD300014	88
SCD100378	39	SCD100439	42	SCD100590	44	SCD300015	78
SCD100379	39	SCD100440	41	SCD100591	44	SCD300016	79
SCD100380	39	SCD100441	41	SCD100592	44	SCD300017	80
SCD100381	39	SCD100442	43	SCD100593	44	SCD300018	80
SCD100382	40	SCD100443	43	SCD100594	44	SCD300019	80
SCD100383	40	SCD100444	43	SCD100595	44	SCD300020	80
SCD100384	40	SCD100445	42	SCD100596	27	SCD300021	81
SCD100385	40	SCD100446	42	SCD100597	27	SCD300022	81
SCD100386	40	SCD100548	25	SCD100598	27	SCD300023	81
SCD100387	40	SCD100549	25	SCD100599	27	SCD300030	93
SCD100388	39	SCD100550	25	SCD100600	27	SCD300034	79
SCD100389	41	SCD100551	23	SCD100601	27	SCD300037	77
SCD100390	41	SCD100552	23	SCD100602	27	SCD300038	77
SCD100391	40	SCD100553	23	SCD100603	27	SCD300039	77
SCD100392	41	SCD100554	25	SCD100604	27	SCD300040	76
SCD100393	41	SCD100555	25	SCD100605	27	SCD300041	76
SCD100394	41	SCD100556	25	SCD100606	27	SCD300042	76
SCD100395	42	SCD100557	23	SCD100607	27	SCD300044	76
SCD100396	42	SCD100558	23	SCD100608	11	SCD300045	76
SCD100397	42	SCD100559	23	SCD100609	11	SCD300046	76
SCD100398	42	SCD100560	44	SCD100610	33	SCD300047	76
SCD100399	42	SCD100561	44	SCD100611	33	SCD300048	76
SCD100400	43	SCD100562	44	SCD100612	33	SCD300050	93
SCD100401	43	SCD100563	44	SCD100617	11	SCD300051	93
SCD100402	43	SCD100564	44	SCD100618	11	SCD300052	93
SCD100403	41	SCD100565	44	SCD100619	11	SCD300059	76
SCD100412	38	SCD100566	21	SCD100620	33	SCD300060	76
SCD100413	38	SCD100567	21	SCD100621	33	SCD300065	95
SCD100414	38	SCD100568	21	SCD100622	33	SCD300066	96
SCD100415	38	SCD100569	21	SCD100623	11	SCD300068	94
SCD100417	38	SCD100570	21	SCD200001	50	SCD300069	94
SCD100418	38	SCD100571	21	SCD200002	49	SCD300070	95



CODE	PAG.	CODE	PAG.	CODE	PAG.	CODE	PAG.
SCD300071	96	SCD500029	176	SCD500130	222	SCD500235	200
SCD300072	94	SCD500030	176	SCD500131	222	SCD500236	200
SCD300073	94	SCD500031	96	SCD500132	222	SCD500237	201
SCD300076	94	SCD500032	96	SCD500133	222	SCD500238	201
SCD300077	94	SCD500033	96	SCD500134	222	SCD500241	202
SCD300078	94	SCD500047	177	SCD500135	222	SCD500242	202
SCD300079	94	SCD500049	177	SCD500136	222	SCD500245	203
SCD300080	94	SCD500050	177	SCD500138	222	SCD500246	203
SCD300081	94	SCD500051	177	SCD500139	222	SCD500247	213
SCD300082	94	SCD500052	211	SCD500141	161	SCD500255	170
SCD300083	94	SCD500053	211	SCD500142	222	SCD500256	170
SCD300086	63	SCD500054	211	SCD500143	222	SCD500257	169
SCD300087	65	SCD500055	211	SCD500144	222	SCD500258	169
SCD300088	67	SCD500056	211	SCD500145	222	SCD500259	169
SCD300093	68	SCD500057	211	SCD500146	222	SCD500269	188
SCD300094	71	SCD500058	211	SCD500147	222	SCD500270	188
SCD300095	61	SCD500059	211	SCD500149	141	SCD500271	188
SCD300096	64	SCD500060	211	SCD500150	174	SCD500272	172-173
SCD300097	62	SCD500061	212	SCD500151	174	SCD500273	172-173
SCD300098	72	SCD500062	212	SCD500152	174	SCD500274	172-173
SCD300099	72	SCD500063	212	SCD500159	187	SCD500275	225
SCD3E0001	82	SCD500070	157	SCD500160	162	SCD500276	225
SCD3E0002	83	SCD500071	201	SCD500161	151	SCD500277	194
SCD3E0003	83	SCD500072	201	SCD500162	162	SCD500278	194
SCD3E0004	83	SCD500073	202	SCD500163	224	SCD500279	195
SCD3E0005	83	SCD500074	202	SCD500164	224	SCD500280	195
SCD3E0006	83	SCD500075	203	SCD500165	224	SCD500286	185
SCD3E0010	66	SCD500076	203	SCD500166	224	SCD500287	185
SCD3E0011	68	SCD500077	204	SCD500167	224	SCD500288	185
SCD500002	172-173	SCD500078	204	SCD500168	224	SCD500289	185
SCD500003	172-173	SCD500079	166	SCD500169	224	SCD500290	187
SCD500004	172-173	SCD500080	166	SCD500170	224	SCD500291	187
SCD500005	176	SCD500081	166	SCD500171	223	SCD500292	167
SCD500006	176	SCD500084	213	SCD500172	223	SCD500293	167
SCD500007	176	SCD500090	95	SCD500173	223	SCD500294	168
SCD500008	152	SCD500091	166	SCD500174	223	SCD500295	168
SCD500009	152	SCD500101	191	SCD500175	223	SCD500296	167
SCD500010	167	SCD500102	191	SCD500176	223	SCD500297	167
SCD500011	167	SCD500103	170	SCD500177	223	SCD500298	168
SCD500012	168	SCD500104	170	SCD500178	223	SCD500299	168
SCD500013	168	SCD500109	159	SCD500180	192	SCD500300	97
SCD500022	152	SCD500113	162	SCD500181	192	SCD500301	97
SCD500023	152	SCD500114	221	SCD500184	183	SCD500302	97
SCD500024	196	SCD500115	221	SCD500186	169	SCD500303	97
SCD500025	175	SCD500116	221	SCD500187	169	SCD500304	97
SCD500026	175	SCD500122	166	SCD500210	152	SCD500305	97
SCD500027	175	SCD500126	221	SCD500211	152	SCD500306	166
SCD500028	176	SCD500127	221	SCD500224	171		
		SCD500128	221	SCD500225	171		
		SCD500129	222	SCD500229	170		

CODE	PAG.
SCD500307	166
SCD500308	170
SCD500309	170
SCD500310	170
SCD500311	170
SCD500312	95
SCD500313	166
SCD500314	169
SCD500315	169
SCD500316	169
SCD500317	169
SCD500318	166
SCD500330	171
SCD500341	142
SCD500341	143
SCD500341	147
SCD500351	195
SCD500352	166
SCD500353	166
SCD500356	150
SCD500357	147
SCD500358	147
SCD500359	150
SCD500360	150
SCD500361	147
SCD500362	147
SCD500363	147
SCD500364	141
SCD500365	153
SCD500366	151
SCD500367	142
SCD500368	151
SCD500369	142
SCD500370	151
SCD500371	142
SCD500372	151
SCD500373	142
SCD500374	148
SCD500375	148
SCD500376	148
SCD500377	148
SCD500378	148
SCD500379	148
SCD500380	149
SCD500381	154
SCD500382	149
SCD500383	150
SCD500384	154
SCD500385	140
SCD500386	140
SCD500387	140

CODE	PAG.
SCD500388	149
SCD500389	149
SCD500390	150
SCD500391	140
SCD500392	140
SCD500393	140
SCD500394	149
SCD500395	149
SCD500396	140
SCD500397	140
SCD500398	146
SCD500399	146
SCD500400	146
SCD500401	146
SCD500402	146
SCD500403	146
SCD500404	146
SCD500405	146
SCD500406	144
SCD500407	144
SCD500408	144
SCD500409	144
SCD500410	157
SCD500411	157
SCD500412	157
SCD500413	157
SCD500414	143
SCD500415	143
SCD500416	143
SCD500417	143
SCD500418	143
SCD500419	143
SCD500420	143
SCD500421	143
SCD500431	147
SCD500432	147
SCD500434	147
SCD500435	150
SCD500437	172-173
SCD500438	172-173
SCD500439	148
SCD500440	153
SCD500441	153
SCD500442	153
SCD500444	141
SCD500445	172-173
SCD500448	227
SCD500449	227
SCD500450	228

CODE	PAG.
SCD500451	228
SCD500453	174
SCD500454	174
SCD500455	174
SCD500456	174
SCD500457	174
SCD500458	174
SCD500459	174
SCD500460	174
SCD500461	174
SCD500462	174
SCD5E0001	184
SCD5E0002	184
SCD5E0003	184
SCD5E0004	184
SCD5E0005	186
SCD5E0006	186
SCD5E0007	186
SCD5E0008	186
SCD5E0009	186
SCD5E0010	184
SCD600001	230
SCD600002	229
SCD600003	229
SCD600006	218
SCD600007	218
SCD600009	239
SCD600010	239
SCD600011	239
SCD600012	239
SCD600013	239
SCD600014	239
SCD600015	238
SCD600016	238
SCD600017	238
SCD600018	238
SCD600019	238
SCD600020	230
SCD600021	240
SCD600022	240
SCD600023	233

**NEW PRODUCT**