

# DATASHEET

rev. 00 - 20/10/2022

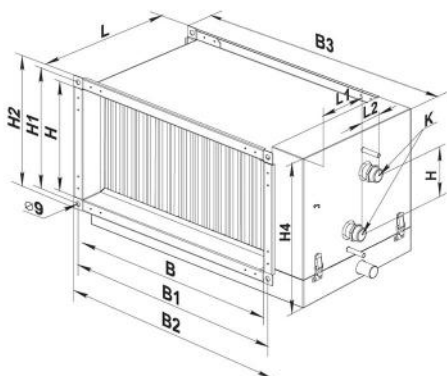
## Cold water coil for heat recovery unit

30370070 - 30370080



### TECHNICAL SPECIFICATIONS:

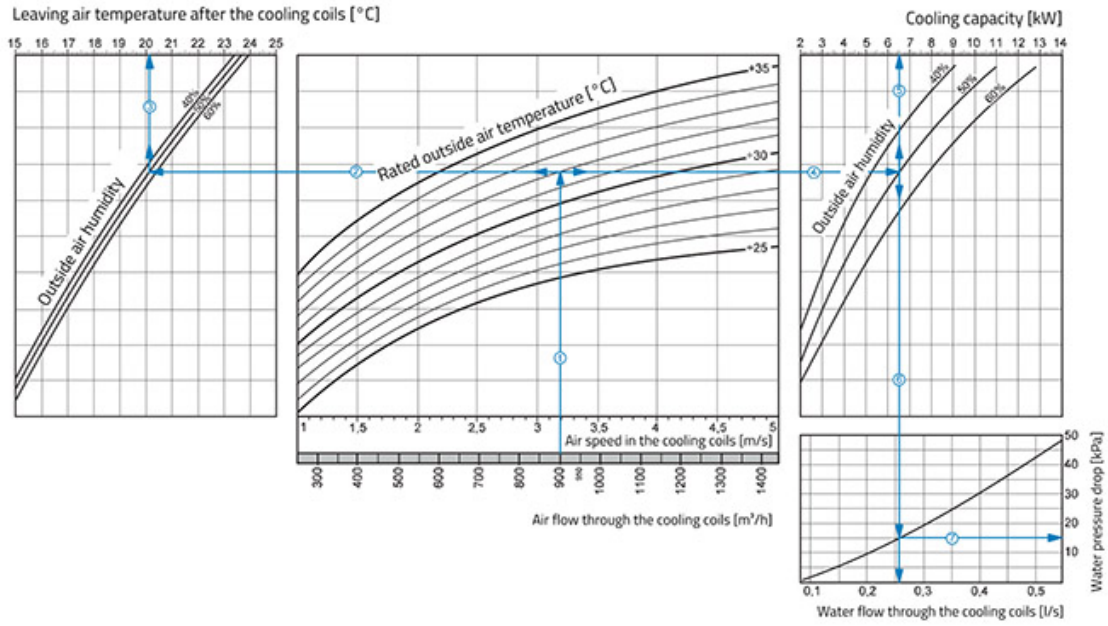
- Maximum operating pressure: 15 bar
- Horizontal installation only
- If the battery is installed in areas where the temperature is below 0°C, use an antifreeze mixture
- Designed for cooling the supply air in the ventilation system on rectangular ducting
- Heat exchanger with copper pipes and aluminium fin pack



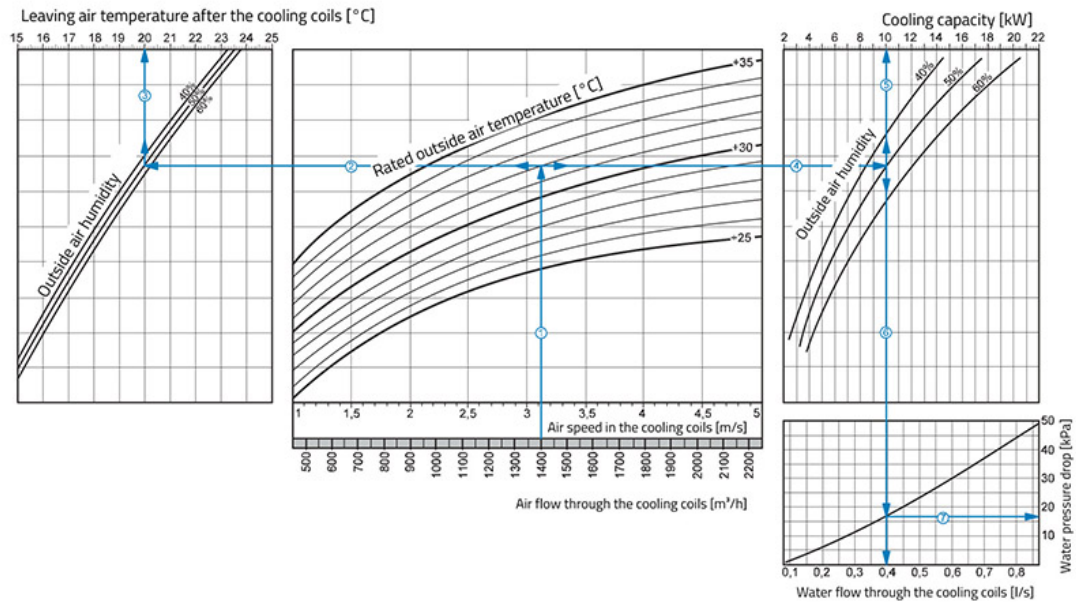
### DIMENSIONS

CODE	B[mm]	B1 [mm]	B2 [mm]	B3 [mm]	H [mm]	H1 [mm]	H2 [mm]	H3 [mm]	H4 [mm]	L [mm]	L1 [mm]	L2 [mm]	K [mm]
30370070	400	420	438	528	200	220	238	70	273	395	176	43	G 3/4"
30370080	500	520	538	628	250	270	288	120	323	395	176	43	G 3/4"

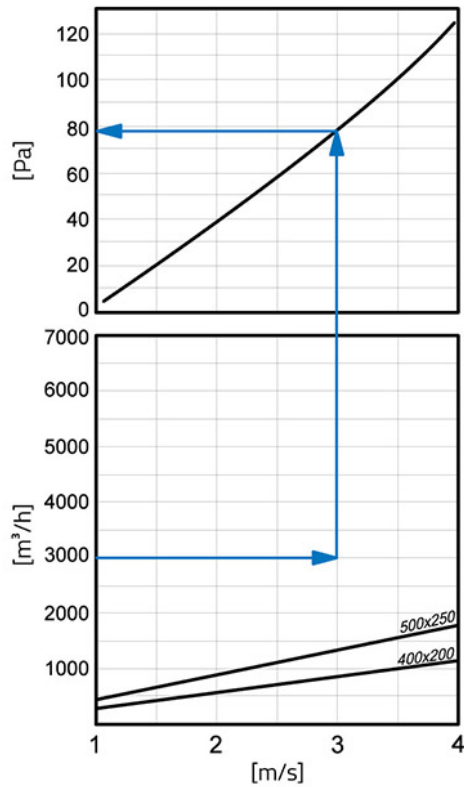
## FLOW FLOW CODE 30370070



## FLOW FLOW CODE 30370080



## LOAD LOSS DIAGRAM



## ITEMS

CODE	DESCRIPTION
30370070	COLD WATER COILS FOR. HEAT RECOVERY UNITS 400x200
30370080	COLD WATER COILS FOR. HEAT RECOVERY UNITS 500x250