

DATASHEET

rev. 02 - 19/10/22



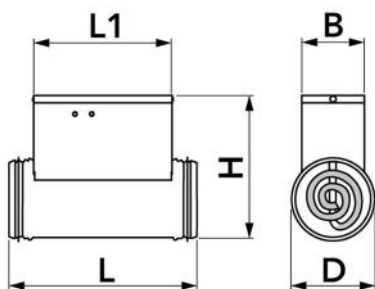
Electrical coil with thermostat for heat recovery from 1000 to 4000 m³/h

ACC400005 - ACC400006 - ACC400007
ACC400008 - ACC400009



TECHNICAL SPECIFICATIONS:

- Equipped with thermostat for temperature regulation from -30°C +30°C
- Equipped with two thermoprotectors: +55°C with automatic reset +85°C with manual reset
- To prevent overheating the coil, air flow must always be greater than the minimum flow rate indicated in the table



DIMENSIONS

CODE	L [mm]	H [mm]	B [mm]	L1 [mm]
ACC400005	400	450	200	300
ACC400006	306	255	144	226
ACC400007	400	490	210	300
ACC400008	400	495	260	300
ACC400009	400	550	260	300

TECHNICAL DATA

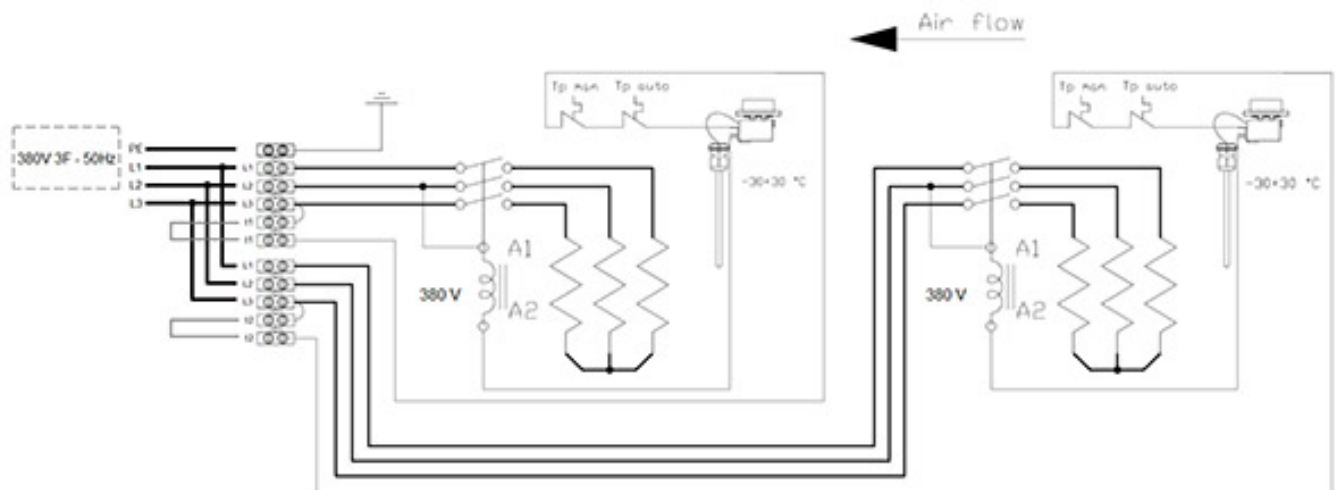
CODE	MODEL	NOMINAL FLOW RATE [m³/h]	MINIMUM FLOW RATE [m³/h]	T NOMINAL AIR [°C]	COUPLERS [mm]	VOLTAGE [V]	FREQUENCY [Hz]	POWER [kW]	WEIGHT [kg]
ACC400005	315 - 3	1200	320	9,3	315	400	50	3	8,5
ACC400006	150 - 1,2	300	120	12	150	230	50	1,2	2,1
ACC400007	355 - 6	2200	640	10,2	355	400	50	6	8,5
ACC400008	400 - 12	3200	1280	14	400		50	12	10
ACC400009	400 - 16	4000	1710	14,9	400		50	16	10

INSTALLATION

- The battery is designed to be connected to circular pipes of nominal diameter as shown in the table. Sealing is provided by the gasket on the battery neck.
- The electric battery can be installed in any position except with the electrical panel facing down, so as to prevent condensation from causing short circuits.
- Make sure that the length of the pipe before and after the battery is at least twice the diameter of the pipe.
- Make sure that the battery only turns on when the heat recovery unit fan is switched on.
- The minimum air flow rate inside the battery has to be 1.5m/s, if the air flow is below the minimum, the battery shutdown has to be ensured.
- The starting of the battery shall be dependent on the operation of the heat recovery unit. For this reason, it is useful to use an air flow sensor in the pipe to block the operation of the heater in the event of a malfunction of the heat recovery unit.

WIRING DIAGRAM

The electrical connections must be made by authorised and qualified personnel and they must comply with current regulations. The power cables must be fed into the electrical box using the cable glands on the side. The coil connection must be made carefully following the wiring diagram attached.



ITEMS

CODE	DESCRIPTION
ACC400005	ELECTRICAL BATTERIES WITH THERMOSTAT Ø315 3 kW FOR HEAT RECOVERY UNITS
ACC400006	ELECTRICAL BATTERIES WITH THERMOSTAT Ø315 4 kW FOR HEAT RECOVERY UNITS
ACC400007	ELECTRICAL BATTERIES WITH THERMOSTAT Ø355 6 kW FOR HEAT RECOVERY UNITS
ACC400008	ELECTRICAL BATTERIES WITH THERMOSTAT Ø400 12 kW FOR HEAT RECOVERY UNITS
ACC400009	ELECTRICAL BATTERIES WITH THERMOSTAT Ø450 16 kW FOR HEAT RECOVERY UNITS