

DATASHEET

rev. 01 - 5/10/2022

MADE IN ITALY

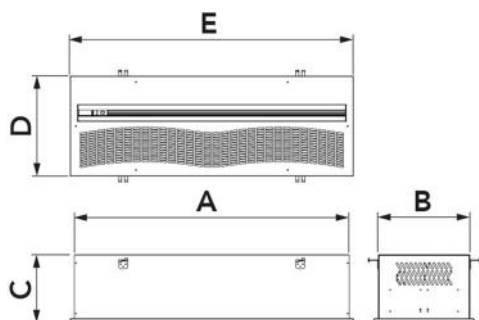
Built-in centrifugal air curtain at room temperature

12300033 - 12300035 - 12450030



TECHNICAL SPECIFICATIONS:

- 3 models in white
- With speed controller supplied
- Air curtains are designed for indoor use
- Flow adjustment via flaps
- Total integration in the false ceiling
- The unit must be installed horizontally
- Installation height max 3.5 m



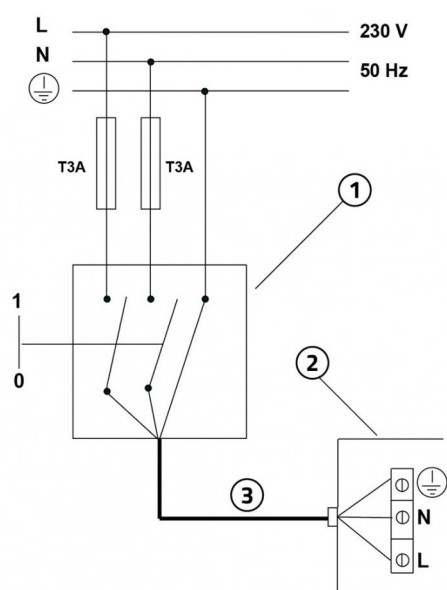
DIMENSIONS

CODE	MODEL	A [mm]	B [mm]	C [mm]	D [mm]	E [mm]
12300033	1000	1000	362	270	396	1034
12300035	1500	1500	362	270	396	1524
12450030	2000	2000	362	270	396	2034

TECHNICAL DATA

CODE	SUPPLY VOLTAGE [V]	FREQUENCY [Hz]	POWER CONSUMPTION [W]	AIR SPEED AT INLET [m/s]	AIR FLOW RATE [m³/h]	SOUND POWER LEVEL [DB(A)]	WEIGHT [kg]	SUITABLE FOR LARGE DOORS [mm]
12300033	230 ac	50	225	12	1436	60	22	L1000 HMax.3500 HMin.1800
12300035	230 ac	50	300	12	2129	61	33	L1500 HMax.3500 HMin.1800
12450030	230 ac	50	450	12	3197	62	47	L2000 HMax.3500 HMin.1800

SINGLE-PHASE POWER SUPPLY AND WIRING DIAGRAM

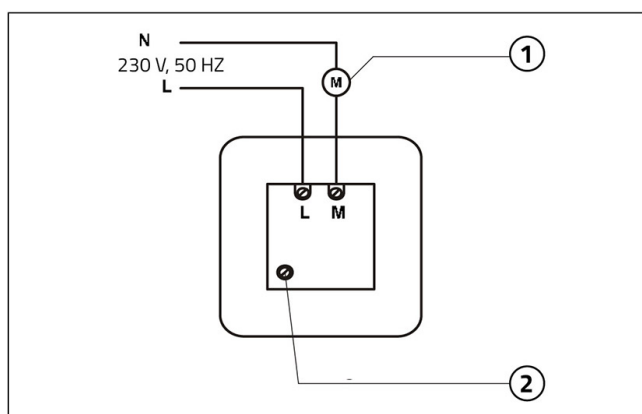


- [1] Omnipolar thermal magnetic protection switch compliant with EN 61508:1
- [2] Power cable 3x2.5 mm²
- [3] Electrical connection box

IMPORTANT!

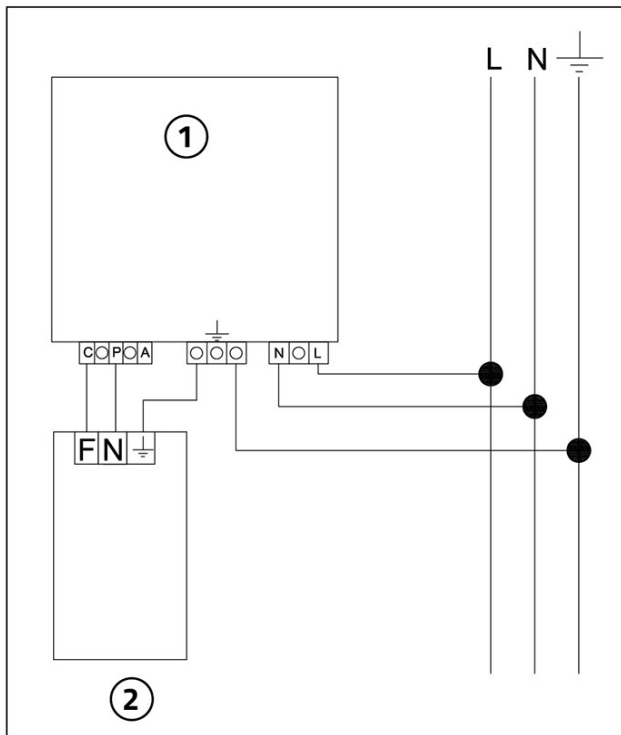
During the electrical connection, the installer must comply with the polarities indicated by the plate in front of the power supply terminal board.

SPEED REGULATOR ELECTRICAL CONNECTION DIAGRAM FOR 12300033 - 12300035



- [1] Air curtain
- [2] Adjustment of the minimum rotation speed

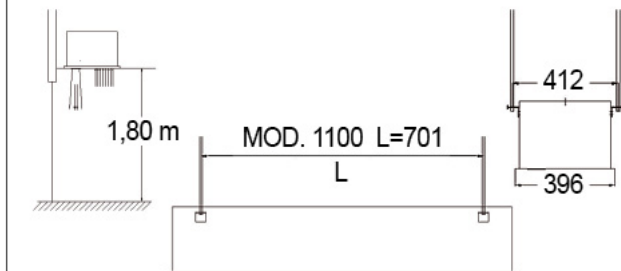
SPEED REGULATOR ELECTRICAL CONNECTION DIAGRAM FOR 12450030



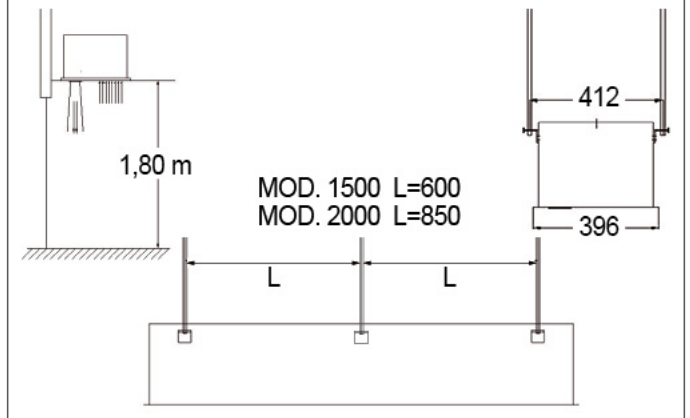
- [1] Speed regulator
- [2] Air curtain

INSTALLATION AND START-UP

cod. 12300033



cod. 12300035 - 12450030



ITEMS

CODE	DESCRIPTION
12300033	"ARIA2 ELEGANCE" 1000 BUILT.IN AIR CURTAINS
12300035	"ARIA2 ELEGANCE" 1500 BUILT.IN AIR CURTAINS
12450030	"ARIA2 ELEGANCE" 2000 BUILT.IN AIR CURTAINS