

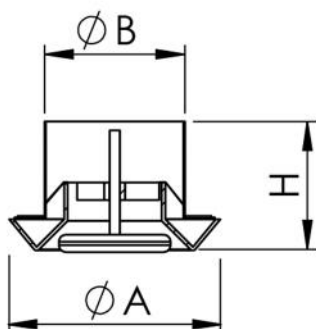
# Adjustable ABS plastic air delivery/return ventilation valve white

- cod. 11161319 - cod. 11161320 - cod. 11161321  
- cod. 11161322 - cod. 11161323



## TECHNICAL SPECIFICATIONS:

- Made of white ABS RAL 9016
- Prevents condensation phenomena
- Operating temperature - 40°C to +40°C
- Suitable for delivery and intake
- Fastening by means of hidden screws on mounting collar



## DIMENSIONS

CODE	Ø A [mm]	Ø B [mm]	Ø H [mm]	FLOW RATE [m³/h]
11161319	130	76	75	31
11161320	140	96	75	47
11161321	175	120	75	72
11161322	200	145	75	102
11161323	250	195	75	180

## ITEMS

CODE	DESCRIPTION
11161319	ADJUSTABLE VENTILATION VALVES IN ABS PLASTIC, WHITE, FOR AIR EXTRACTION Ø 80mm
11161320	ADJUSTABLE VENTILATION VALVES IN ABS PLASTIC, WHITE, FOR AIR EXTRACTION Ø 100mm
11161321	ADJUSTABLE VENTILATION VALVES IN ABS PLASTIC, WHITE, FOR AIR EXTRACTION Ø 125mm
11161322	ADJUSTABLE VENTILATION VALVES IN ABS PLASTIC, WHITE, FOR AIR EXTRACTION Ø 150mm
11161323	ADJUSTABLE VENTILATION VALVES IN ABS PLASTIC, WHITE, FOR AIR EXTRACTION Ø 200mm

All rights relating to this publication are the exclusive property of Tecnosystemi SpA.

Tecnosystemi SpA reserves the right to make changes at any time and without notice, for technical or commercial needs.