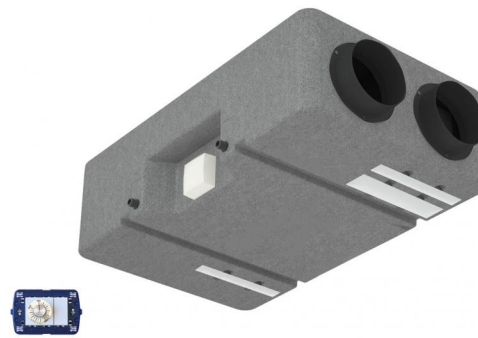


VR160

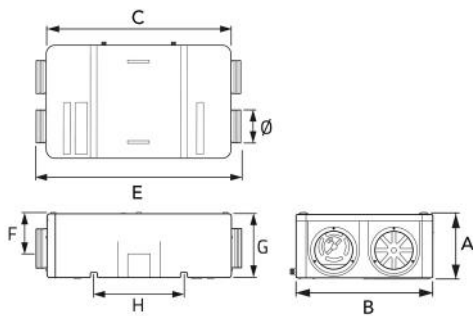
high-efficiency ceiling-mounted ductable static heat recovery unit with speed regulator included

ACC200013



TECHNICAL SPECIFICATIONS:

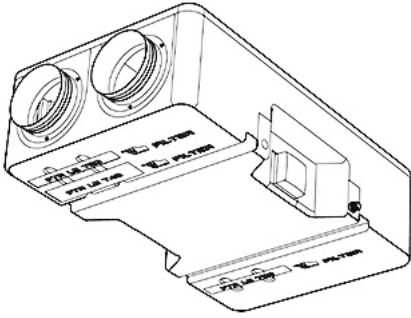
- Power supply: 230V - 50 Hz
- Countercurrent heat recovery unit entirely made of plastic material
- Free-standing HMPEPS structure with a complete system seal
- Removable delivery and intake filters
- Equipped with coupling for condensate drain
- Plug fan fans with Brushless EC motor
- Removable grade G4 filters
- Optional efficiency filter F7
- Adjustment: 0-10V wired remote control (with wall mounting)



DIMENSIONS

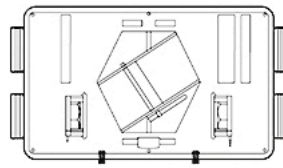
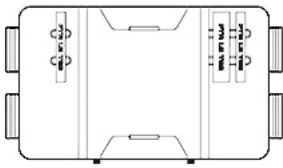
CODE	A [mm]	B [mm]	C [mm]	D [mm]	E [mm]	F [mm]	G [mm]	H [mm]	Ø [mm]
ACC200013	268	550	900	243	1000	149	255	440	156

DRAWINGS



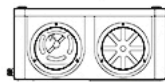
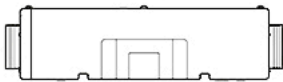
Vista dal basso | Bottom View

Vista interna | Internal view

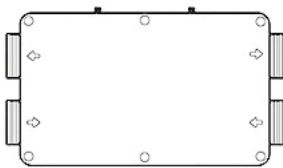


Vista laterale | Side view

Vista frontale | Front view



Vista in pianta | Plan view



TECHNICAL DATA

MAXIMUM FLOW RATE (at 100 Pa) [m ³ /h]	UNIQUE STATIC PRESSURE [Pa]	DUCTS DIAMETER [mm]
160	100	Ø150

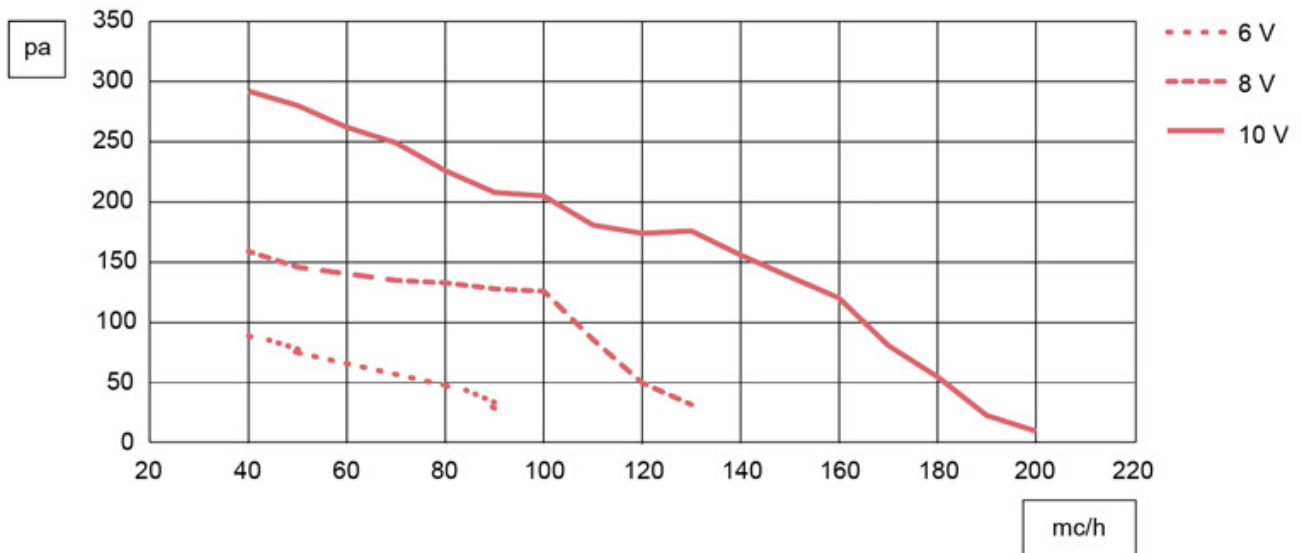
DATA FOR INDIVIDUAL FAN

RATED POWER [W]	RPM [1/min]	THE RATED [A]	VOLTAGE [V]	FREQUENCY [Hz]	SPEED [nr]
27	3700	0.27	230	50	1

FILTERS

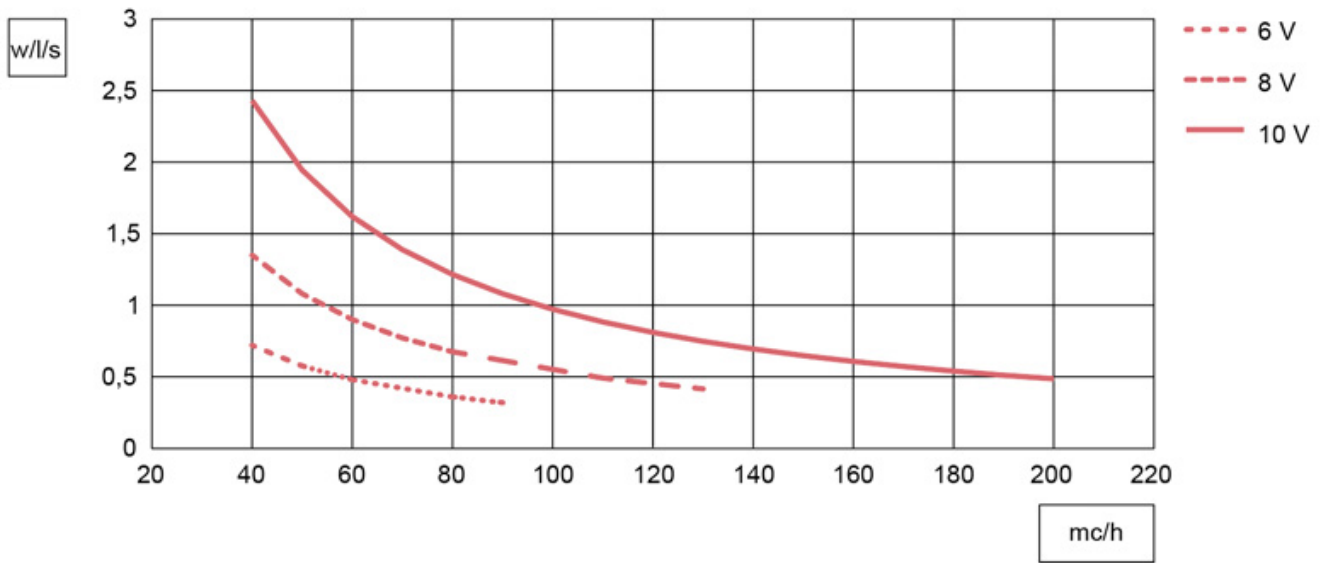
FILTER: DELIVERY/INTAKE	FILTER: DELIVERY/INTAKE ON REQUEST
G4	F7

AIR DUCT PERFORMANCE EN 13141-7:2011 - USEFUL STATIC PRESSURE



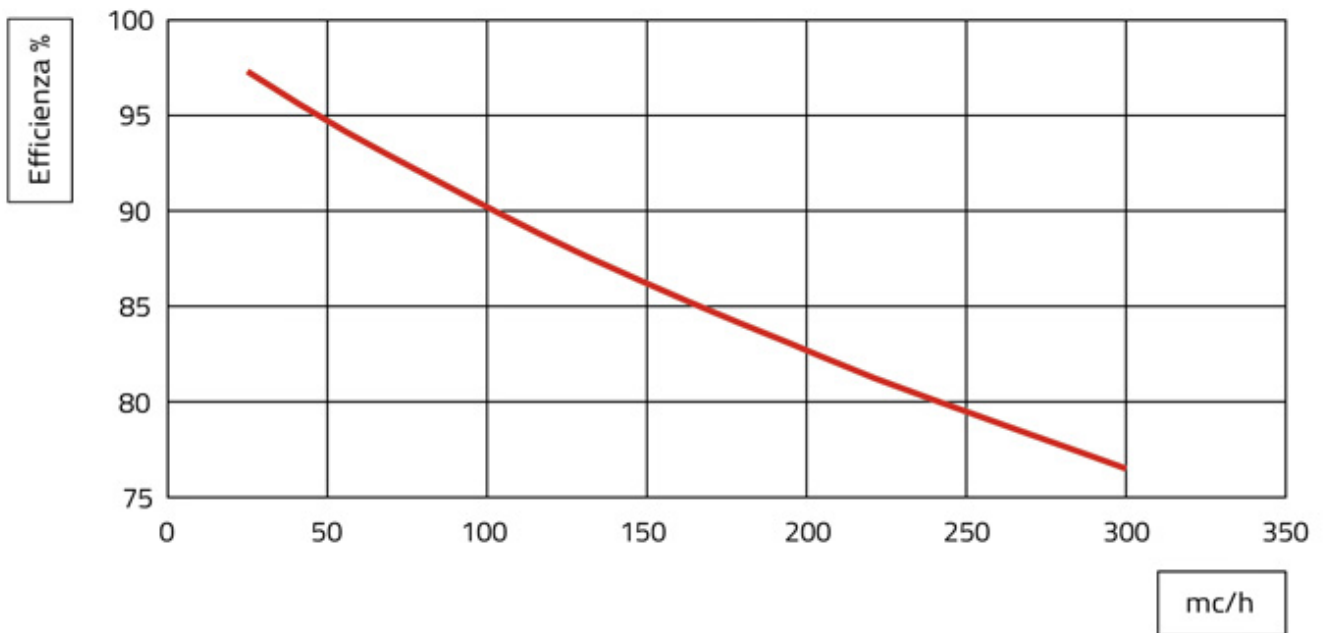
Data with G4 filter
 Efficiency filter load losses F7 80 Pa at maximum flow with
 clean filter

GRAPH SPECIFIC FAN POWER



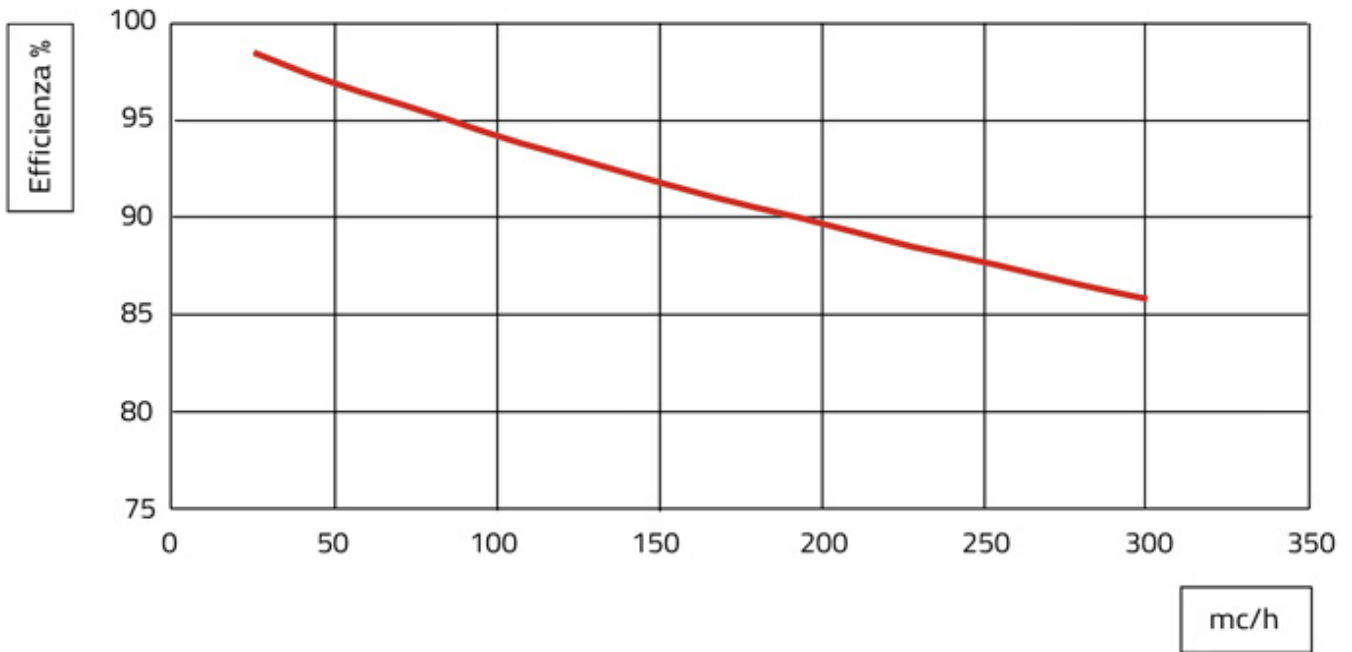
Data for individual fan

HEAT EXCHANGER HEAT EFFICIENCY GRAPH ACCORDING TO EN 308 - SUMMER



Summer efficiency diagram:
 Outside air: 32 °C / 50 % U.R.
 Ambient air: 26 °C / 50 % U.R.

HEAT EXCHANGER HEAT EFFICIENCY GRAPH ACCORDING TO EN 308 - WINTER



Winter efficiency diagram:
 Outside air: -5 °C / 80 % U.R.
 Ambient air: 20 °C / 50 % U.R.

RADIATED SOUND LEVEL - Performance according to EN 13141-7:2011

SPECIFICATIONS:	DATA				
VOLTAGE [V]	10	9	8	7	6
Frequency [Hz]	Lw				
Hz	[dB]				
63	43,7	44,5	39,4	37,5	34
125	49,5	49,6	47,4	47,1	41,1
250	54,8	51,8	52	50	47,3
500	53,9	52,6	50	44	39,9
1000	53,4	50,3	47,1	44	40,4
2000	51,4	48,8	46,5	43,9	40,1
4000	50	46,6	43,6	40,1	34,6
8000	41,3	36,9	32,9	28,6	24,4
Sound power	60,5	58,4	56,5	53,9	50,2
Sound pressure	48,2	45,5	43,1	40	36,1

Ecodesign:

ENERG
енергия · ενεργεια

Y IJA
IE IA

Tecnosystemi
group

VR160

A+
A
B
C
D
E
F
G

A

49 dB

160 m³/h

ENERGIA · ЕНЕРГИЯ · ΕΝΕΡΓΕΙΑ · ENERGIJA · ENERGI · ENERGI · ENERGI · ENERGI
2016 1254/2014

DICHIARAZIONE DI PRESTAZIONE ECODESIGN - REGOLAMENTO (UE) 1253/2014

SPECIFICATIONS:	DATA		
Manufacturer's name or trade name	Tecnosystemi		
Identificativo del modello del fornitore e opzioni installate	ACC200013 / VR160		
Climate	Temperate	Cold	Heat
SEC [kWh/(m ² a)] for all types of climate (temperate, warm, cold)	-37,12	-75,1	-13,6
SEC Class	A	A+	E
Declared type of ventilation unit	Bidirectional UVR		
Type of drive installed	Multiple speed drive		
Type of heat recovery system	recovery		
Thermal efficiency ¹	88,7%		
Maximum flow rate [m ³ /h] ²	160		
Total electric power maximum range [W]	60		
Power Sound power level (LWA) in [dB(A)] ³	49		
Reference flow rate [m ³ /s]	112		
Reference pressure difference [Pa]	50		
SPI in [W/m ³ /h] ⁵	0,25		
Control factor and type	1 manual control		
Maximum percentage of external drawing [%] ⁶	6,7		
Maximum percentage of external drawing [%] ⁶	6		
internet address	www.tecnosystemi.com		

NOTES:

NOTES	DATA
1.	Efficiency according to EN13141-7:2010 at 50 Pa reference flow Efficiency according to EN13141-7:2010 at 50 Pa reference flow
2.	Maximum flow at 100 Pa external pressure
3.	Radiation from the housing to the reference flow at 50 Pa external pressure
4.	The percentage of the reference flow rate is 70% of the maximum flow rate at 50 Pa of external pressure in accordance with EN13141-7:2010
5.	IN ACCORDANCE WITH EN13141-7:2010 at the reference range
6.	IN ACCORDANCE WITH EN13141-7:2010
SEC.	Specific energy consumption

ITEMS

CODE	DESCRIPTION
ACC200013	