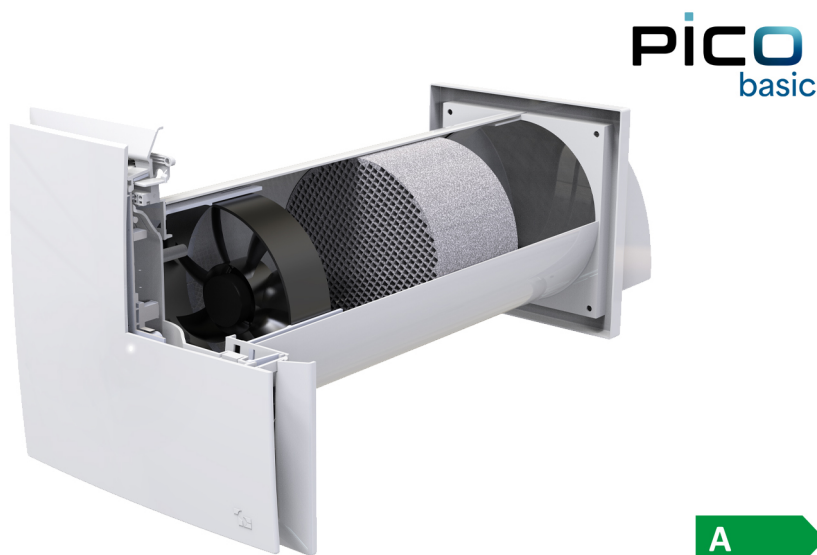


PICO BASIC

Ventilation unit with wall-mounted point heat recovery, without remote control

- cod. ACD100060 - cod. ACD100061 - cod. ACD100062
- cod. RIC00190 - cod. RIC00191 - cod. RIC00192
- cod. C20002333 - cod. C20002336 - cod. C20002324



DESCRIPTION

PICO BASIC is an innovative system designed to improve thermal comfort and air quality in residential environments.

PICO BASIC can operate in both directions, which means it can be used to ventilate and recover the heat of the environment as needed. This allows you to maintain a comfortable microclimate in any season.

Energy Saving: This system is designed to maximize energy saving, thus reducing the costs associated with heating and cooling of the interior spaces. Thanks to its efficient operation, it contributes to reducing environmental impact.

Optimized Ventilation: PICO BASIC ensures effective ventilation and adequate air exchange inside the rooms, improving air quality and contributing to the well-being of the occupants.

High Efficiency: The vacuum extractor integrated in PICO BASIC offers a high performance, with the extraction capacity that can reach up to 90%. This is made possible by the presence of a honeycomb heat exchanger made of ceramic material, which maximizes thermal efficiency.

Easy Installation and Maintenance: PICO BASIC is designed to be installed with ease and requires simple maintenance. This simplifies system management, reducing maintenance costs over time.

The connection to the electrical network to the device is made directly from the prearranged clamp integrated in the wall dashboard, to ensure quick assembly and maintenance of the PICO.

Remote control not included

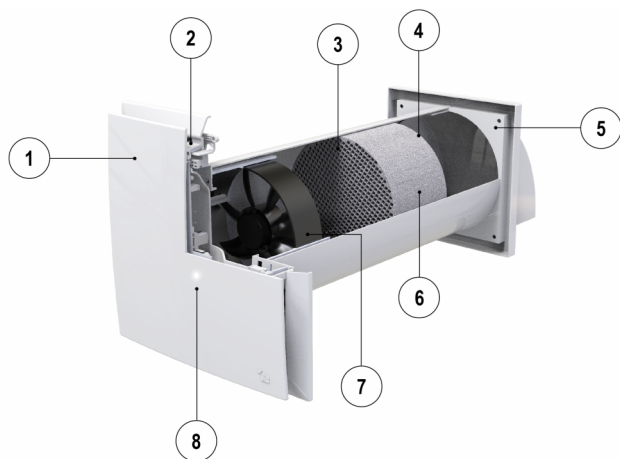
TECHNICAL SPECIFICATIONS:

- For wall installation
- Front wall thickness 35 mm
- Available with flow rates from 30 to 60 m³/h
- Energy Class A
- Wi-fi control mode 2.4 GHz via APP: local or remote connection
- Integration Voice assistants and Google Home
- Functions: Comfort - Humidity threshold - Natural recirculation - Night mode
- Heat exchanger made of high-efficiency ceramic

DATASHEET

- Built-in grade G2 filters
- Fan with low energy consumption
- Suitable for continuous operation
- RGB LED on front for mode display
- 4-speed, min, med, max and night mode, adjustable via app
- Power supply 230 V - 50/60 Hz Class II
- IP rating IPX2 (internal) IP rating IPX4 (external)
- Mounting Hole Sections Ø103 - Ø128 - Ø153
- Minimum installation wall thickness: 270mm
- Ambient operating temperature: -10 / +40°C (-10T40)
- Remote control NOT included

TECHNICAL DETAILS

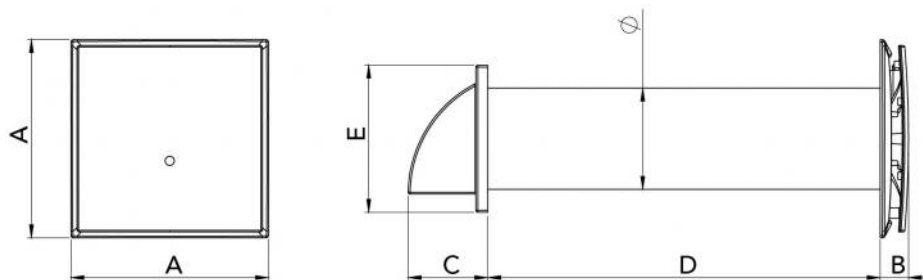


- [1] Aesthetic front panel
- [2] Mechanical damper
- [3] Filter 1
- [4] Filter 2
- [5] External grille
- [6] Exchanger pack
- [7] Bidirectional fan
- [8] RGB mode LEDs

EASILY CONTROLLED WITH APP TECNOSYSTEMI



DIMENSIONS PICO BASIC 30 / 45 / 60



MODEL	A [mm]	B [mm]	C [mm]	D [mm]	E [mm]	Ø [mm]	Weight [kg]
PICO BASIC 30	250	35	86	500	154	103	2,0
PICO BASIC 45	250	35	101	500	186	128	2,2
PICO BASIC 60	250	35	101	500	186	153	3,2

PICO BASIC 30

TECHNICAL DATA	Standby	NIGHT		minimum speed		Average speed		Maximum speed	
	Mode	EXTRACTION:	Immission	EXTRACTION:	Immission	EXTRACTION:	Immission	EXTRACTION:	Immission
Consumption [W]	<1	1.5		2		3		4	
Air flow rate [m³/h]		6		10		18	20	26	30
Sound power [dB(A)] @2m		18	19	22	23	26	27	29	32
ENERGY RATING SEC	A								
Type	Bidirectional UVR								
Type of recovery system	Regenerative type HRC3b								
Filtration class	G2								
Filter signal	Red flashing light indication on front fixture								
Internet address with pre-assembly and disassembly instructions	www.tecnosystemi.com								

PICO BASIC 45

TECHNICAL DATA	Standby	NIGHT		minimum speed		Average speed		Maximum speed	
		EXTRACTION:	Immission	EXTRACTION:	Immission	EXTRACTION:	Immission	EXTRACTION:	Immission
Consumption [W]	<1	1.5		2		3		4.5	
Air flow rate [m³/h]		8		21	22	28	32	40	45
Sound power [dB(A)] @2m		20	22	24	27	28	30	35	37
ENERGY RATING SEC	A								
Type	Bidirectional UVR								
Type of recovery system	Regenerative type HRC3b								
Filtration class	G2								
Filter signal	Red flashing light indication on front fixture								
Internet address with pre-assembly and disassembly instructions	www.tecnosystemi.com								

PICO BASIC 60

TECHNICAL DATA	Standby	NIGHT		minimum speed		Average speed		Maximum speed	
		EXTRACTION:	Immission	EXTRACTION:	Immission	EXTRACTION:	Immission	EXTRACTION:	Immission
Consumption [W]	<1	1.7		3		4.5		7	
Air flow rate [m³/h]		11		32	30	46	40	65	60
Sound power [dB(A)] @2m		24	28	30	32	35	38	40	41
ENERGY RATING SEC	A								
Type	Bidirectional UVR								
Type of recovery system	Regenerative type HRC3b								
Filtration class	G2								
Filter signal	Red flashing light indication on front fixture								
Internet address with pre-assembly and disassembly instructions	www.tecnosystemi.com								

NOTES:

Data according to Regulation (EU) 1253/2014 and Regulation (EU) 1254/2014.

N/A = not applicable to the type of product

APP INTERFACE - WI-FI CONTROL MODE (OFFLINE and ONLINE)



All Pico functions can be controlled via APP via remote or local wifi connection directly from your smartphone or tablet in a simple and intuitive way.

Simply download the Tecnosystemi application and pair your device.

Functionality

- Recovery mode
- Extraction mode
- Immission mode
- Recovery with humidity threshold
- Extraction with moisture threshold
- Natural recirculation
- Maintenance of filters

ITEMS

CODE	DESCRIPTION
ACD100060	HEAT RECOVERY UNIT - PICO BASIC 30
ACD100061	HEAT RECOVERY UNIT - PICO BASIC 45
ACD100062	HEAT RECOVERY UNIT - PICO BASIC 60
RIC00190	CERAMIC HEAT EXCHANGER WITH FILTERS FOR "PICO HP2 30" AND "PICO CLEAN 30"
RIC00191	CERAMIC HEAT EXCHANGER WITH FILTERS FOR "PICO HP2 55" AND "PICO CLEAN 55"
RIC00192	CERAMIC HEAT EXCHANGER WITH FILTERS FOR "PICO HP2 80" AND "PICO CLEAN 80"
C20002333	SPARE FILTER CLASS 3 FOR PICO HP2-30 - Ø 100
C20002336	SPARE FILTER CLASS 3 FOR PICO HP2-55 - Ø 125
C20002324	SPARE FILTER CLASS 3 FOR PICO HP2-80 - Ø 150

All rights relating to this publication are the exclusive property of Tecnosystemi SpA.

Tecnosystemi SpA reserves the right to make changes at any time and without notice, for technical or commercial needs.