

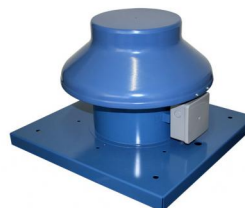
# DATASHEET

rev. 01 - 27/10/2023



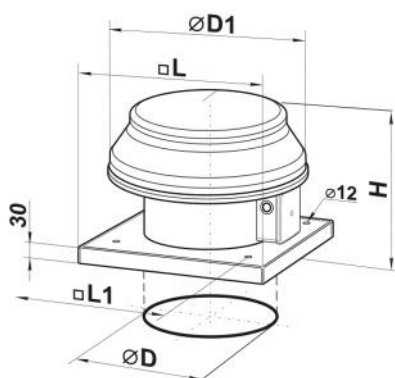
## Residential extractor tower

11104110 - 11104120 - 11104130



### TECHNICAL SPECIFICATIONS:

- Max operating temperature: +50°C
- Weatherproof
- Made of metal finished with polymer paint
- Protection rating: IP X4
- Supply voltage: 230 V AC - 50 Hz



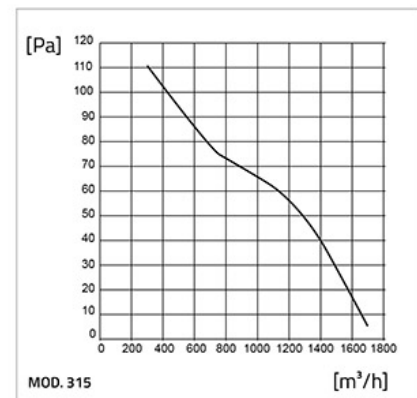
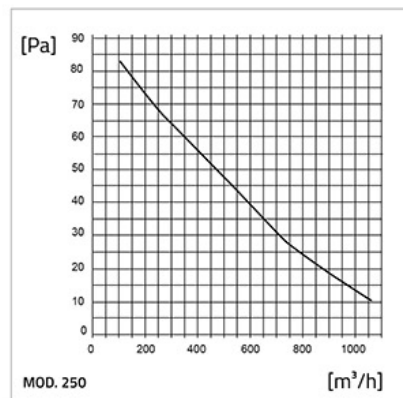
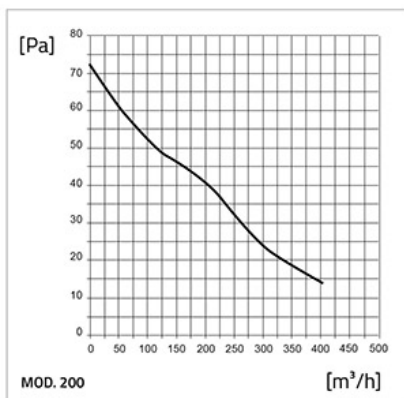
### DIMENSIONS

CODE	MODEL	Ø D [mm]	Ø D1 [mm]	H [mm]	L	L1
11104110	200	208	345	280	425	330
11104120	250	262	405	300	425	330
11104130	315		555	380	585	450

## TECHNICAL DATA

SPECIFICATIONS	MOD. 200	MOD. 250	MOD. 315
Power supply [V]	230	230	230
Frequency [Hz]	50	50	50
Power [W]	43	68	110
Absorbed current [A]	0,28	0,48	0,75
Air flow rate [m <sup>3</sup> /h]	405	1070	1700
RPM	1300	1300	1300
Max sound level [dB(A)]	32	48	54
Operating temperature max [°C]	40	40	40
Protection rating [IP]		X4	
Weight [kg]	4,9	6,8	9,2

## FLOW RATE DIAGRAMS



## ITEMS

CODE	DESCRIPTION
11104110	RESIDENTIAL ROOF EXTRACTOR 200
11104120	RESIDENTIAL ROOF EXTRACTOR 250
11104130	RESIDENTIAL ROOF EXTRACTOR 315