

DATASHEET

rev. 00 - 28/09/2022

TSPAT

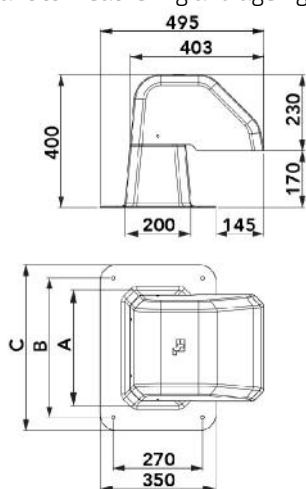
roof passage

SCD100134 - SCD100135



TECHNICAL SPECIFICATIONS:

- Made of ivory ABS+PMMA plastic
- Equipped with internal wall bracket that guarantees correct pipe curvature
- High thermal stability
- Resistant to weathering and ageing



DIMENSIONS

CODE	A [mm]	B [mm]	C [mm]
SCD100134	200	270	350
SCD100135	350	420	500

ITEMS

CODE	DESCRIPTION
SCD100134	FITTING THROUGH ROOF "TSPAT" - 200x200x430
SCD100135	FITTING THROUGH ROOF "TSPAT" - 350x200x430