

EOLO

custom insulated plenum for units ducted
in sintered expanded polystyrene



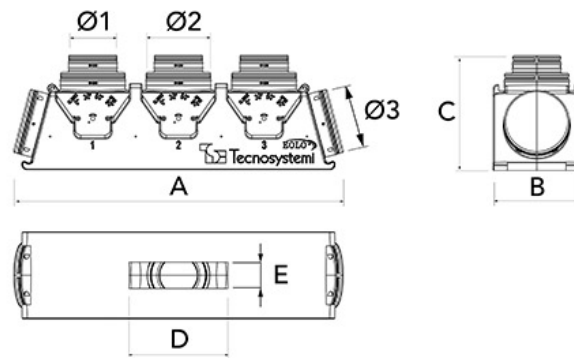
DESCRIPTION

Sintered polystyrene foam plenum model for \varnothing 200/150 collars

TECHNICAL SPECIFICATIONS:

- Made of sintered expanded polystyrene
- Thermal conductivity: 0.030 / 0.033 W/mK with respect to the EN 12667 / EN 12939 standard
- Resistance to vapour 40 / 70 μ in relation to EN 12086
- Operating temperature - 30° / + 90°
- Water absorption % volume in relation to EN 12087
- Reaction to fire class E according to EN- ISO - 11925 - 2
- Thermal performance thickness 30 mm 0.95 m²K/W
- Made of graphite-infused EPS material
- Collars integrated into plenum
- Total depth including collar 350 mm
- Machine fastening flange included
- Front collars 150/200mm
- Side collars 200mm

DIMENSIONS



MODEL	WIDTH A [mm]	HEIGHT B [mm]	DEPTH C [mm]	MAX TEMPLATE HOLE WIDTH [mm]	MAX. HEIGHT OF TEMPLATE HOLE E [mm]	FRONT COLLAR INCLUDED No. Ø 1 [mm]	FRONT COLLAR INCLUDED No. Ø 2 [mm]	SIDE COLLAR INCLUDED N° Ø 3 [mm]
EOLO 2-WAY	741	244	348	up to 550	up to 215	No. 2 Ø 150	N°2 Ø 200	No. 2 Ø 200
EOLO 3-WAY	1000	264	348	up to 800	up to 215	No.3 Ø 150	No.3 Ø 200	N°2 Ø 200
EOLO 4-WAY	1261	284	348	up to 1060	up to 235	No.4 Ø 150	No.4 Ø 200	N°2 Ø 200
EOLO 5-WAY	1520	304	348	up to 1300	up to 245	No.4 Ø 150	No.5 Ø 200	N°2 Ø 200