

DATASHEET

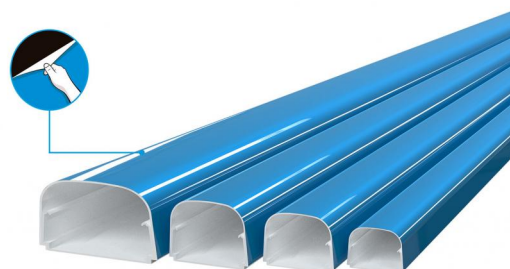
rev. 00 - 16/09/2022

MADE IN ITALY

OPTIMA TP FULL COVER

duct with protective film

SCD100105 - SCD100106 - SCD100107
SCD100125



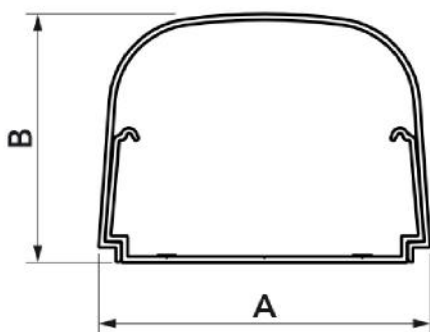
TECHNICAL SPECIFICATIONS:

- Stiff, shockproof, anti-UVA PVC, white, recyclable
- Sharp-edged bottom
- Pre-punched slots for wall mounting
- Prepared for insertion of the mini pumps Easy Flow, Easy One, Aqua Split (only model TP 75-OPT-FC)
- Wall-mounted flush closure
- Rounded cover
- Cover with transparent blue protective film in low density polyethylene
- Bar length 2 m
- Paintable
- Operating temperature -20°C / $+60^{\circ}\text{C}$

MODELS AVAILABLE:



WHITE RAL 9010



DIMENSIONS

CODE	MODEL	A [mm]	B [mm]
SCD100105	TP 62 - OPT-FC	62	46
SCD100106	TP 75 - OPT-FC	74	56
SCD100107	TP 102 - OPT-FC	100	66
SCD100125	TP 135 - OPT-FC	135	82

ITEMS

CODE	DESCRIPTION
SCD100105	TP62 -OPT-FC FILM - "OPTIMA TP" T62 TRUNKING FULL COVER WITH PROTECTION FILM - 2 mt. Long
SCD100106	TP75 -OPT-FC FILM - "OPTIMA TP" T75 TRUNKING FULL COVER WITH PROTECTION FILM - 2 mt. long
SCD100107	TP102 -OPT-FC FILM - "OPTIMA TP" T102 TRUNKING FULL COVER WITH PROTECTION FILM - 2 mt. long
SCD100125	TP135 -OPT-FC FILM - "OPTIMA TP" T135 TRUNKING FULL COVER WITH PROTECTION FILM - 2 mt. long