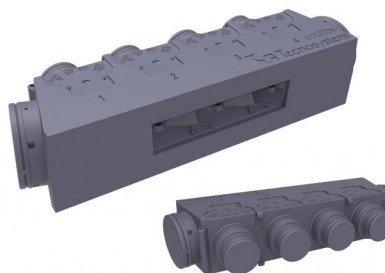


## EOLO MINI UNIVERSAL

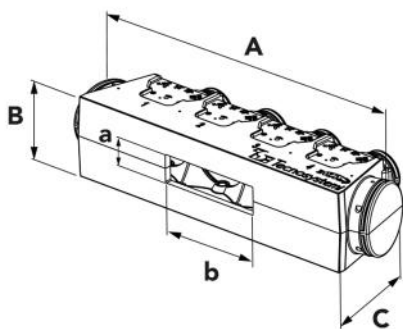
### Polystyrene plenum kit

PWD400034 - PWD400035



#### TECHNICAL SPECIFICATIONS:

- Made of sintered expanded polystyrene
- Ready for ceiling anchoring via threaded bars
- Thermal insulation, waterproof
- Thermal conductivity: 0.030 / 0.033 W/mK with respect to the EN 12667 / EN 12939 standard
- Resistance to vapour 40 / 70  $\mu$  in relation to EN 12086
- Operating temperature - 30°C / + 90°C
- Water absorption % volume  $\leq 5$  in relation to EN 12087
- Reaction to fire class and according to EN 13501-1:2009
- Thermal performance thickness 30 mm 0.95 m<sup>2</sup>K/W
- Integrated front and side collar
- Tube of glue
- Aluminium profile for flange supplied
- Plenum-machine coupling with aluminium profile to be cut to size (included in kit)



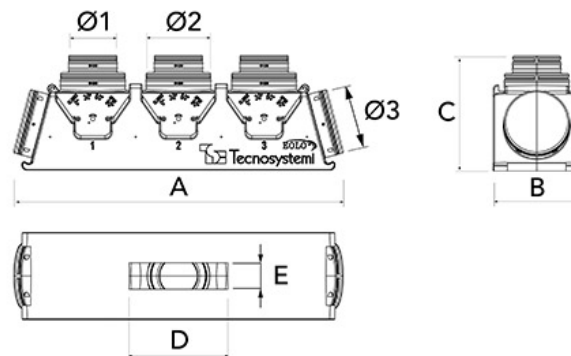
## DIMENSIONS

CODE	MODEL	FIXED EXTERNAL WIDTH A [mm]	FIXED EXTERNAL HEIGHT B [mm]	FIXED EXTERNAL DEPTH C [mm]	MAXIMUM INTERNAL HEIGHT a [mm]	INTERNAL WIDTH b [mm]	FRONT COLLAR DIMENSIONS INCLUDED Ø1 [mm]	DIM. SIDE COLLAR INCLUDED Ø2 [mm]	Ø3 [mm]
PWD400034	AM3	818	217	346	185	600	No.3 Ø 125	No. 2 Ø 150	N° 2 Ø 200
PWD400035	BM4	1008	217	346	185	795	No.4 Ø 125	No. 2 Ø 150	N° 2 Ø 200

## THE KIT CONTAINS:

- Plenum "Eolo Mini"
- 2 aluminium bars for flange
- Glue tube
- Sealing gasket
- Assembly Instructions

## DIMENSIONS



MODEL	WIDTH A [mm]	HEIGHT B [mm]	DEPTH C [mm]	MAX TEMPLATE HOLE WIDTH [mm]	MAX. HEIGHT OF TEMPLATE HOLE E [mm]	FRONT COLLAR INCLUDED No. Ø 1 [mm]	FRONT COLLAR INCLUDED No. Ø 2 [mm]	SIDE COLLAR INCLUDED N° Ø 3 [mm]
EOLO 3-WAY	818	217	346	up to 600	up to 185	No.3 Ø 125	No.3 Ø 150	N° 2 Ø 200
EOLO 4-WAY	1008	217	346	up to 795	up to 185	No.4 Ø 125	No.4 Ø 150	N° 2 Ø 200

## ITEMS

CODE	DESCRIPTION
PWD400034	UNIVERSAL PLENUM KIT "EOLO MINI AM3 UNIVERSAL"
PWD400035	UNIVERSAL PLENUM KIT "EOLO MINI BM4 UNIVERSAL"