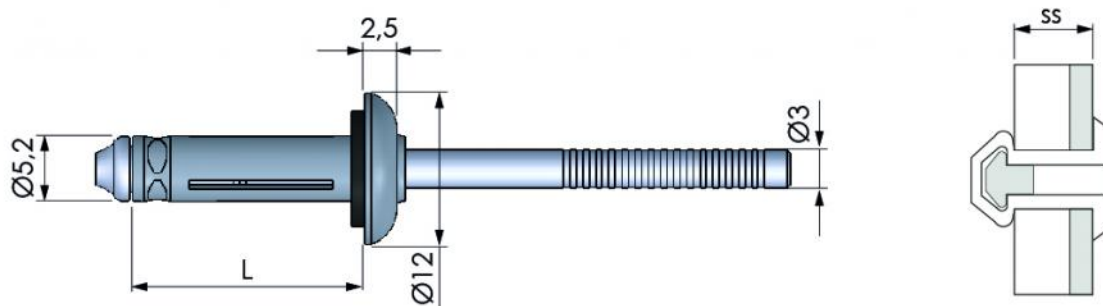


# Aluminium rivet with 5.2x19 rubber gasket.

- cod. 11111059 - cod. FVD600024BOX



## DIMENSIONS



## DESCRIPTION

Aluminium alloy rivet with aluminium alloy nail and neoprene seal.

WARNING: this rivet is not watertight.

## TECHNICAL SPECIFICATIONS

TECHNICAL DATA	
Hole diameter [mm]	Ø 5,3-5,5
Rivet length (L) [mm]	19.2
Shear breaking load [N]	2900
Tensile breaking load [N]	1800
Clampable thickness (ss) [mm]	1,5 ÷ 6,4
body material	aluminium AIMg5.0
Nail material	aluminium AIMg3.5
Gasket material	neoprene

## ITEMS

CODE	DESCRIPTION
11111059	SEALED HEAD RIVET 4 X 13
FVD600024BOX	

All rights relating to this publication are the exclusive property of Tecnosystemi SpA.

Tecnosystemi SpA reserves the right to make changes at any time and without notice, for technical or commercial needs.