

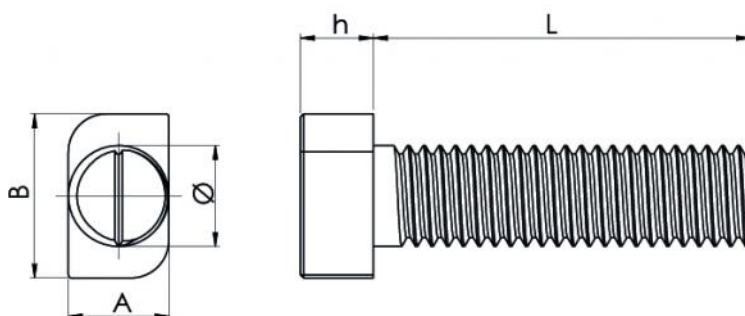
Hammer head screw

- cod. 11110893 - cod. FVD600019BOX - cod.
11110893BOX

- cod. 11111052 - cod. FVD600020BOX - cod.
11111052BOX



DIMENSIONS



DESCRIPTION

Hammerhead screw made of A2 stainless steel, suitable for use on FVP-300/400/500 profiles.

TECHNICAL SPECIFICATIONS

	FVD600019BOX	FVD600020BOX
Material	STAINLESS steel A2	
Diameter (Ø) [mm]	8	
Length (L) [mm]	20	30
Head height (h) [mm]	5,8	
Head length (A) [mm]	8	
Head width (B) [mm]	13	

ITEMS

CODE	DESCRIPTION
11110893	HAMMER BOLT SCREW M8x20
FVD600019BOX	
11110893BOX	HAMMER BOLT SCREW M8x20 - BOX 100 pcs
11111052	HAMMER BOLT SCREW M8x30
FVD600020BOX	
11111052BOX	HAMMER BOLT SCREW M8x30 - BOX 100 pcs

All rights relating to this publication are the exclusive property of Tecnosystemi SpA.

Tecnosystemi SpA reserves the right to make changes at any time and without notice, for technical or commercial needs.